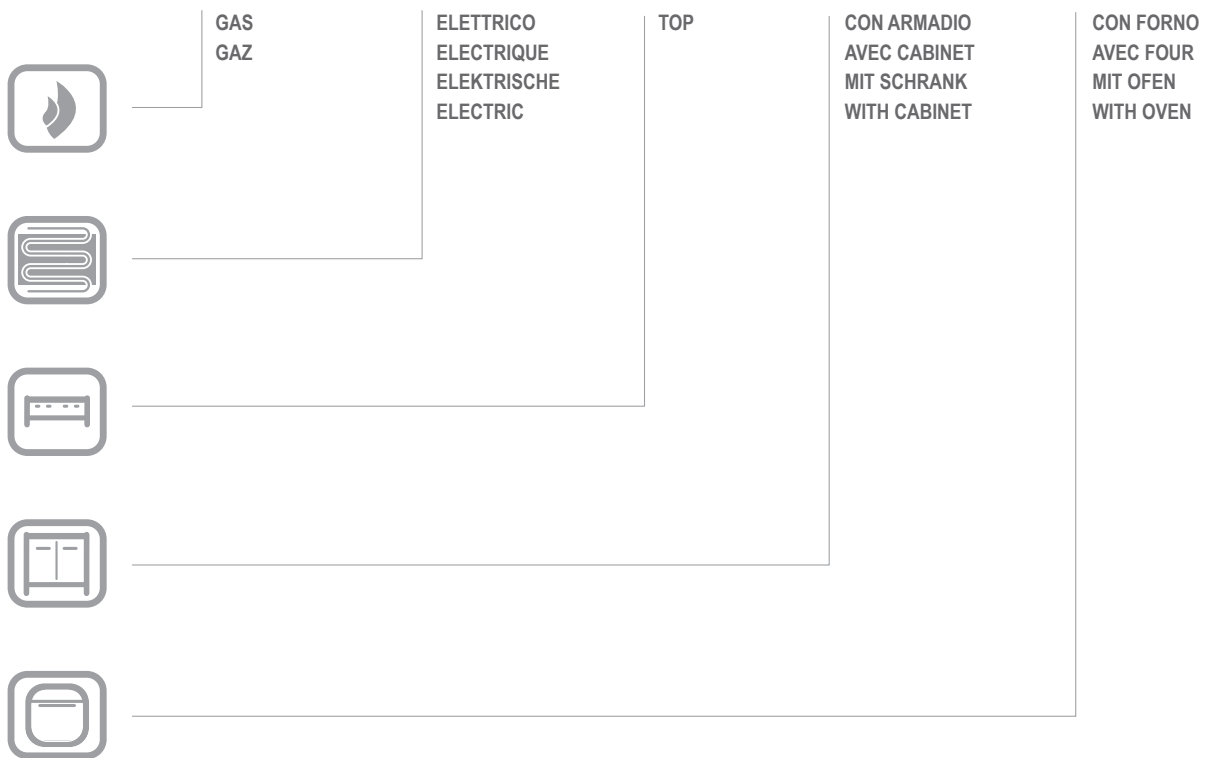




APRE-117FE

E6FA77Q

CATALOGO PARTI DI RICAMBIO
CATALOGUE PIECES DETACHEES
ERSATZTEILKATALOG
SPARE PARTS CATALOGUE



Catalogo parti di ricambio valido
dalla matricola 1144218 (19.01.2017) ad oggi (16.05.2018)

Catalogue pieces detachees
valable à partir du numero de Série n. 1144218 (19.01.2017) jusqu'à aujourd'hui (16.05.2018)

Ersatzteilkatalog
gültig ab Serien-Nr. 1144218 (19.01.2017) bis heute (16.05.2018)

Spare parts catalogue
valid from serial no. 1144218 (19.01.2017) up today (16.05.2018)

Catálogo de peças de reposição
válido do número de série 1144218 (19.01.2017) até hoje (16.05.2018)

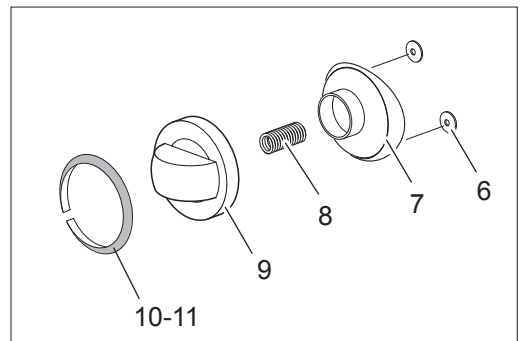
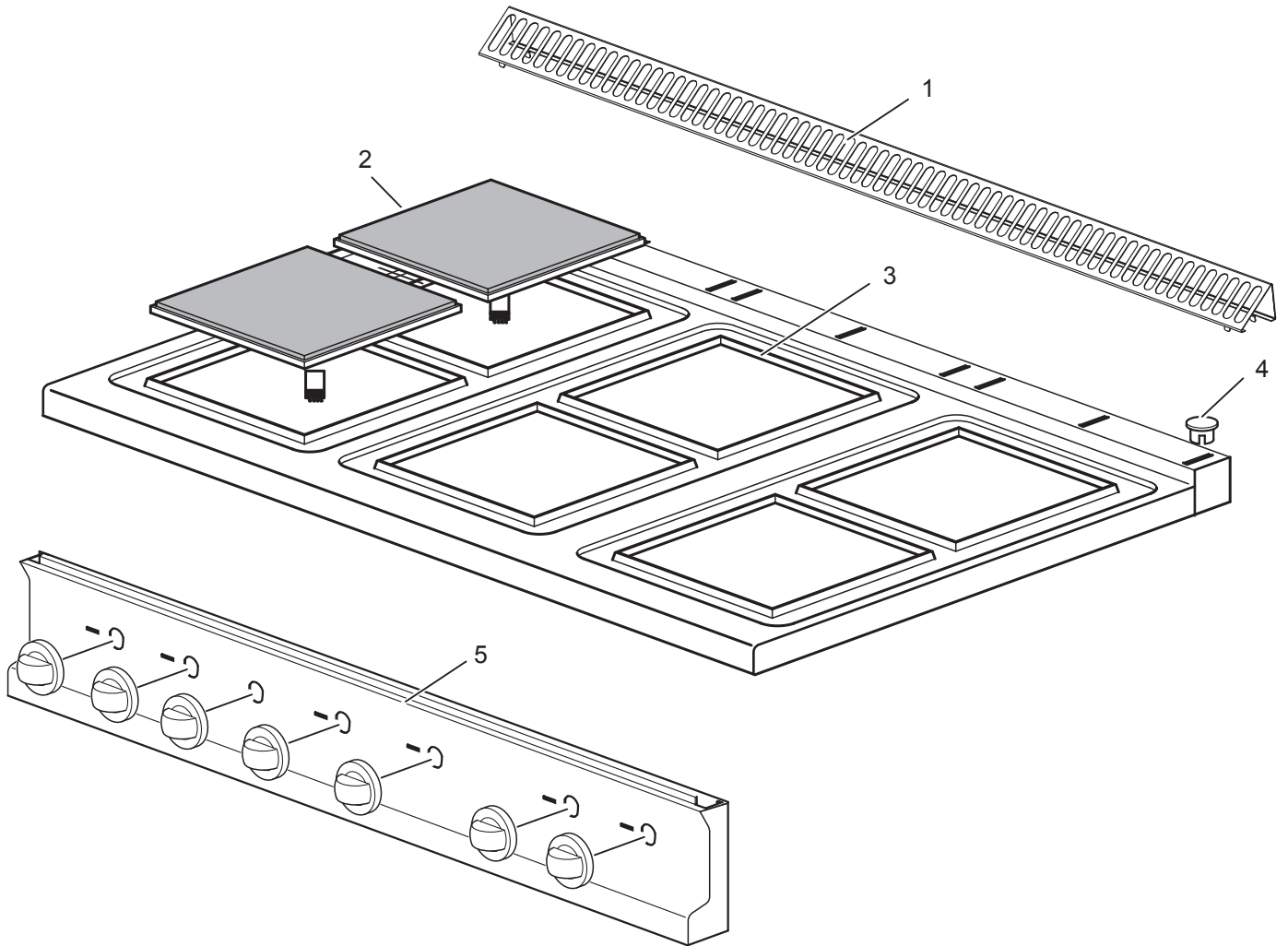
Le informazioni sono considerate non vincolanti. Le immagini rappresentate sono puramente indicative. Il produttore si riserva il diritto di apportare modifiche in qualsiasi momento senza preavviso.

Les informations données ne sont pas contraignantes. Les images montrées sont à titre indicatif. Le producteur se réserve le droit d'apporter des modifications sans préavis.

Die im vorliegenden Dokument aufgeführten Informationen und Bilder sind unverbindlich. Der Hersteller behält sich das Recht vor, jederzeit ohne vorherige Ankündigung Änderungen vorzunehmen

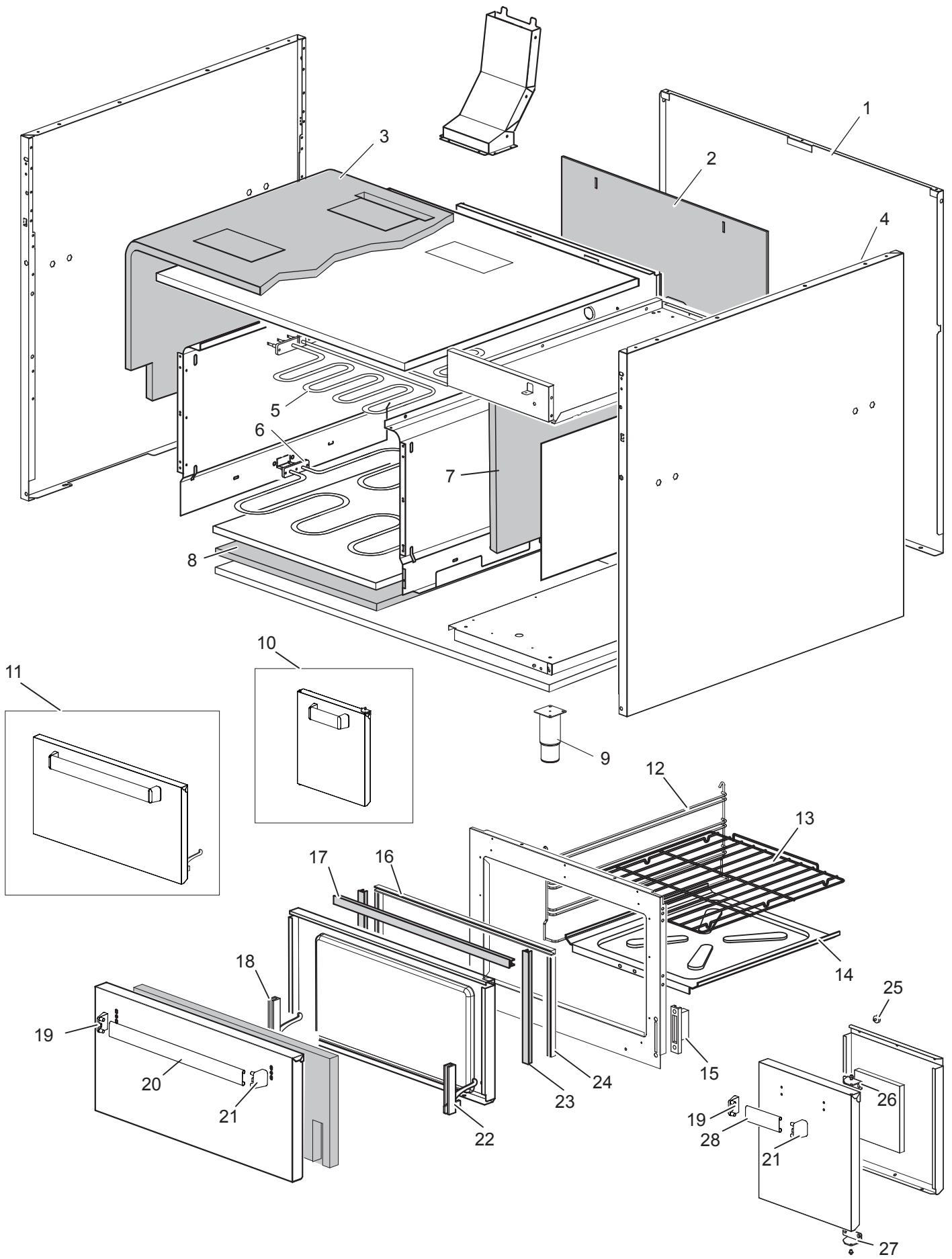
Info and drawing could be slightly different from reality and they cannot be considered as compelling. Manufacturer can modify info anytime without forewarning.

As Informações e desenhos podem estar um pouco diferente da realidade e são puramente indicativas. O fabricante pode modificar estas informações a qualquer momento sem aviso prévio.



Listino componenti per pagina 1

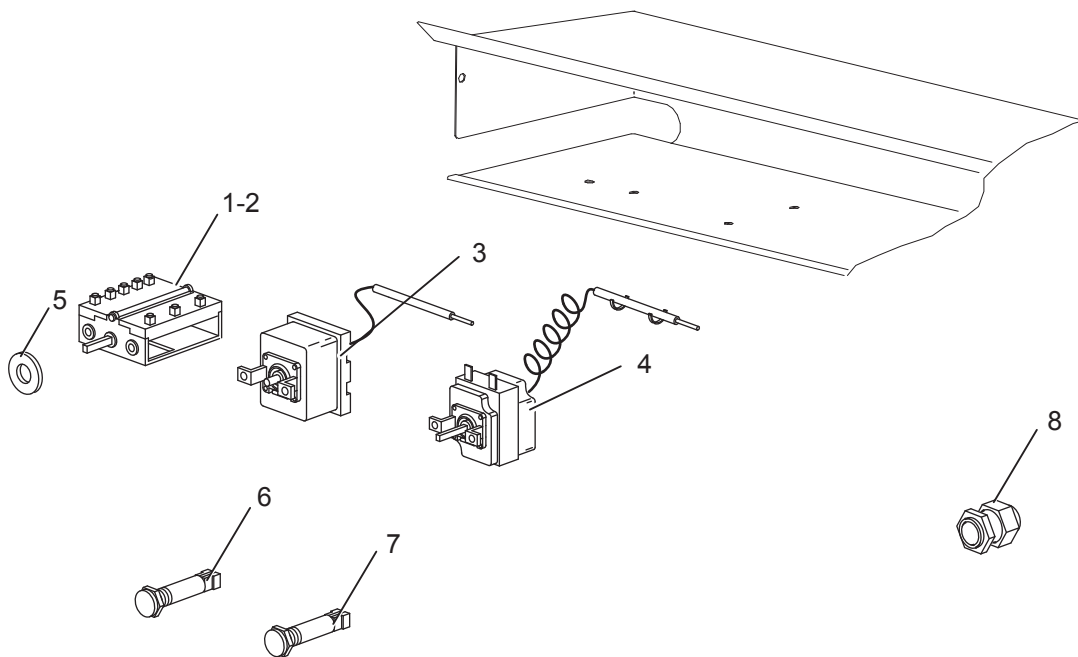
| | | | |
|----|---|---|--|
| 1 | 184978 | GRIGLIA CAMINO GRILLE POUR CHEMINÉE KAMINROST CHIMNEY GRILL | |
| 2 | RTCU700248 <i><u>Recommended spare parts</u></i> | PIASTRA ELETTRICA 2,6 KW PLAQUE ELECTRIQUE 2,6 KW ELEK.KOCHPLATTE 2,6 KW ELECTRIC PLATE 2,6 KW | |
| 3 | 182706 | COPERCHIO PIASTRA ELETTRICA COUVERCLE PLAQUE ELECTRIQUE DECKEL FUER ELEKTRISCHEPLATTE ELECTRIC PLATE COVER | |
| 5 | 179144 | CRUSCOTTO PANNEAU DE CONTROLE FRONT BLENDE CONTROL PANEL | |
| 9 | 168878 <i><u>Recommended spare parts</u></i> | CORPO MANOPOLA COMMUTATORE POIGNEE COMMUTATEUR UMSCHALTER-KNOPFKOERPER COMMUTATOR KNOB | |
| 10 | 186398 <i><u>Recommended spare parts</u></i> | ANELLO MANOPOLA COMMUTATORE RING COMMUTATEUR KLEBERING KNEBEL TAKTSCHALTER SWITCH RING | |
| 11 | 186536 <i><u>Recommended spare parts</u></i> | ANELLO MANOPOLA FORNO RING FOUR KLEBERING KNEBEL BACKOFEN THERMOSTAT OVEN RING | |



Listino componenti per pagina 2

| | | | |
|----|---|--|--|
| 1 | 167414 | POSTERIORE ARRIERE RÜCKWAND BACK SIDE | |
| 2 | 167386 | PANNELLO ISOLANTE PANNEAU ISOLANT ISOLIERUNGSPANEL INSULATING PANEL | |
| 3 | 166251 | PANNELLO ISOLANTE PANNEAU ISOLANT ISOLIERUNGSPANEL INSULATING PANEL | |
| 4 | 173523 | FIANCO TOLE LATERAL SEITENWAND LATERAL SIDE | |
| 5 | 167380 <i><u>Recommended spare parts</u></i> | RESISTENZA GRILL 1,5KW RESISTANCE DU CIEL 1,5KW GRILLWIEDERSTAND 1,5KW GRILL HEATING ELEMENT 1,5KW | |
| 6 | 167379 <i><u>Recommended spare parts</u></i> | RESISTENZA FORNO 3,8KW RESISTANCE DU FOUR 3,8KW OFENHEIZKÖRPER 3,8KW OVEN HEATING ELEMENT 3,8KW | |
| 7 | 166252 | PANNELLO ISOLANTE PANNEAU ISOLANT ISOLIERUNGSPANEL INSULATING PANEL | |
| 8 | RTCU700445 | PANNELLO ISOLANTE PANNEAU ISOLANT ISOLIERUNGSPANEL INSULATING PANEL | |
| 9 | RTCU700277 | PIEDE PIED FUSS FOOT | |
| 10 | RIC0004740 | GRUPPO PORTA ARMADIO PORTE D'ARMOIRE COMPLETE KOMPLETTE SCHRANKTÜR CABINET DOOR COMPLETE | |
| 11 | RIC0004734 | GRUPPO PORTA FORNO PORTE DU FOUR COMPLET KOMPLETTE OFENTÜR OVEN DOOR COMPLETE | |
| 12 | 167223 | GRIGLIA LATERALE FORNO GRILLE LATERALE SEITENROST OVEN'S LATERAL GUIDES | |
| 13 | RTCU700341 | GRIGLIA FORNO GRILLE DU FOUR BACKOFEN ROST OVEN GRATE | |
| 14 | 167218 | PIANO FORNO FOND DU FOUR OFEN FLACHE OVEN PLATE | |
| 15 | RTCU900004 <i><u>Recommended spare parts</u></i> | P/RULLINO CERNIERA FORNO SUPPORT POUR CHARNIERE DU FOUR SCHARNIER ROLLENTRAGER SUPPORT FOR OVEN HINGE | |

| | | | |
|----|---|---|--|
| 16 | 184110 | PROFILO GUARNIZIONE SUPERIORE FORNO SUPPORT DE JOINT PROFIL DICHTUNG GASKET HOLDER | |
| 17 | 164738 <i><u>Recommended spare parts</u></i> | GUARNIZIONE SUPERIORE FORNO JOINT DICHTUNG GASKET | |
| 18 | RTCU900027 <i><u>Recommended spare parts</u></i> | CERNIERA SX PORTA FORNO CHARNIERE PORTE GAUCHE BACKOFEN LINKEN SCHARNIER LEFT HINGE DOOR | |
| 19 | RTCU800001 | TERMINALE MANIGLIA TÉRMINAL POIGNÉE HANDGRIFFSVERSCHLUSS HANDLE TERMINAL | |
| 20 | 168346 | MANIGLIA MANETTE HANDGRIFF HANDLE | |
| 21 | RTCU800001 | TERMINALE MANIGLIA TÉRMINAL POIGNÉE HANDGRIFFSVERSCHLUSS HANDLE TERMINAL | |
| 22 | RTCU900026 <i><u>Recommended spare parts</u></i> | CERNIERA DX PORTA FORNO CHARNIERE PORTE DROITE BACKOFEN RECHTEN SCHARNIER RIGHT HINGE DOOR | |
| 23 | 163888 <i><u>Recommended spare parts</u></i> | GUARNIZIONE LATERALE FORNO JOINT LATERAL POUR PORTE FOUR DICHTUNG LATERAL GASKET FOR OVEN DOOR | |
| 24 | 184105 | PROFILO GUARNIZIONE LATERALE FORNO SUPPORT DE JOINT PROFIL DICHTUNG GASKET HOLDER | |
| 25 | 181529 | ATTACCO MAGNETICO AIMANT MAGNET DOOR MAGNET | |
| 26 | 176894 | CERNIERA SX CHARNIERE PORTE GAUCHE KOMPLETTER SCHARNIERBLOCK LEFT HINGE DOOR | |
| 27 | 176895 | CERNIERA DX CHARNIERE PORTE DROITE KOMPLETTER SCHARNIERBLOCK RIGHT HINGE DOOR | |
| 28 | 168204 | MANIGLIA MANETTE HANDGRIFF HANDLE | |



Listino componenti per pagina 3

| | | | |
|---|---|--|--|
| 1 | RTCU700078 <i><u>Recommended spare parts</u></i> | COMMUTATORE PIASTRA ELETTRICA COMMUTATEUR POUR PLAQUE ELECTRIQUE TAKTSCHALTER ELEK.KOCHPLATTE ELECTRIC PLATE COMMUTATOR | |
| 2 | 167516 <i><u>Recommended spare parts</u></i> | COMMUTATORE COMMUTATEUR TAKTSCHALTER COMMUTATOR | |
| 3 | RTCU800152 <i><u>Recommended spare parts</u></i> | TERMOSTATO DI SICUREZZA THERMOSTAT DE SECURITE SICHERHEITSTHERMOSTAT SAFETY THERMOSTAT | |
| 4 | RTCU600067 <i><u>Recommended spare parts</u></i> | TERMOSTATO DI LAVORO THERMOSTAT DE TRAVAIL ARBEITSTHERMOSTAT WORKING THERMOSTAT | |
| 5 | RTCU800185 <i><u>Recommended spare parts</u></i> | GUARNIZIONE ASTA COMMUTATORE JOINT POUR BARRE DU COMMUTATEUR DICHTUNG WELLE TAKTSCHALTER GASKET FOR COMMUTATOR ROD | |
| 6 | 166465 <i><u>Recommended spare parts</u></i> | LAMPADINA SPIA VERDE LAMPE TEMOIN VERTE GRUNE KONTROLLEUCHTE GREEN WARNING LIGHT | |
| 7 | 166466 <i><u>Recommended spare parts</u></i> | LAMPADINA SPIA ARANCIONE LAMPE DE SIGNALATION ORANGE ORANGE KONTROLLEUCHTE ORANGE LAMP LIGHT | |
| 8 | RTBF800138 | F/CAVO PG21 SERRE CABLE PG21 KABELDURCHFÜHRUNG PG21 CHOCK PG21 PRENSA CABO PG21 | |