



*VB 250*

# LIST OF THE EXPLODED VIEWS



*SHELL ASSY*

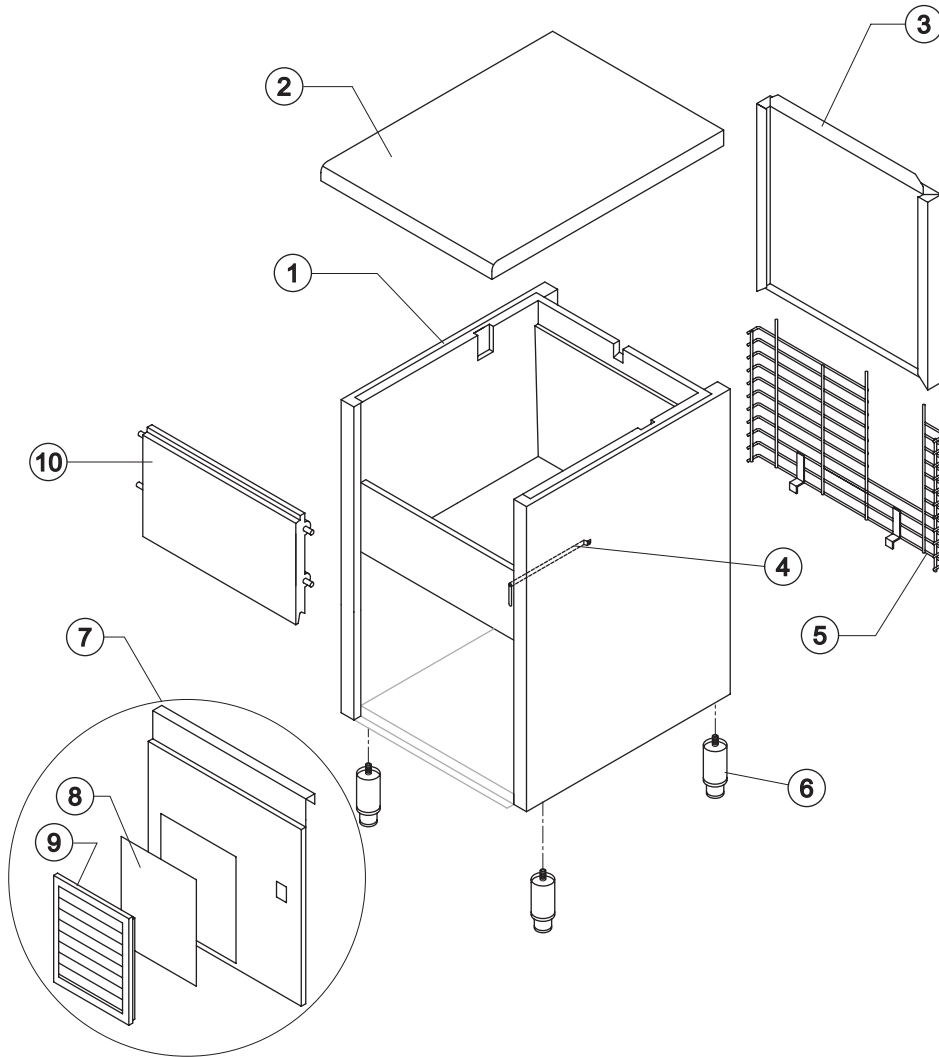
*COOLING SYSTEM*

*HYDRAULIC CIRCUIT*

*SPRAYER PUMP*

*ELECTRIC PARTS*

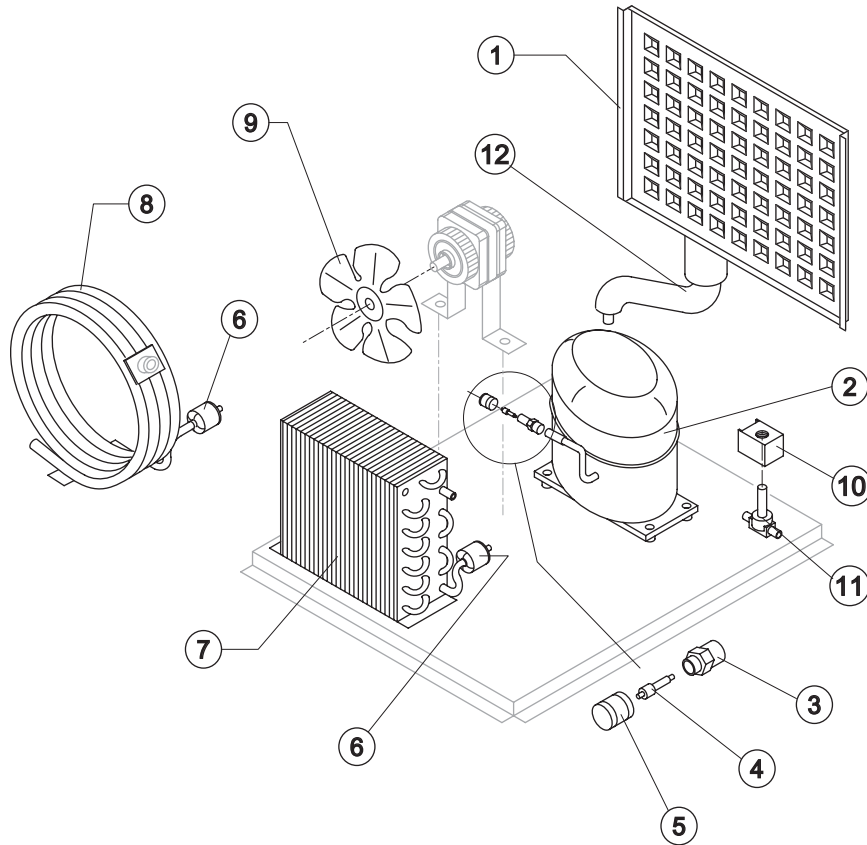
Rev. 12 - 07/03/2018



Ref.	Spare Description	Code
1	Foamed Cabinet Assy	See Table
2	Top Assembly	C22673
3	Rear Panel Assembly	C21185
4	Bulbe-holder Pipe	20521
5	Rear Grid	D12059
6	Adjustable Stainless Steel Foot	20613
7	Front Grid Panel	C22672
8*	Filtering Panel	18106
9	Frame + Grid & Frame	C10205
10	Door Assy	C10275

### Ref. 1 - Foamed Cabinet Assy

Condensation	Code
Air	C11100A
Water	C11100W



### Common Parts

Ref.	Spare Description	Code
1	Evaporator	D10261
2	Compressor	See Table
3	Vacuum-Charge Valve Body	14007
4*	Vacuum-Charge Valve Device	14005
5*	Vacuum-Charge Valve Plug	14006
6*	Solid Core Drier	14089
10*	Hot Gas Valve Coil	See Table
11*	Hot Gas Valve Body	20409
12	Suctin Line	for the spare parts code give us the s/n.

### Parts for Air-Cooled Version Only

Ref.	Spare Description	Code
7	Air Condenser	20264
9	Sucking Fan	20031

### Parts for Water-Cooled Version Only

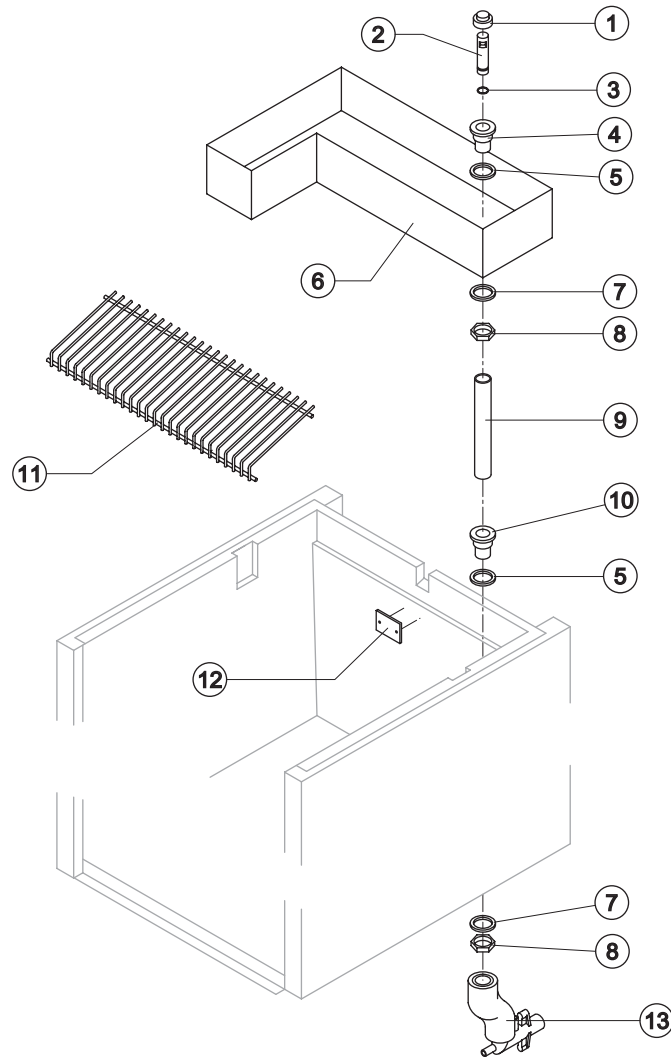
Ref.	Spare Description	Code
8	Water Condenser	14034

### Ref. 2 - Compressor

Voltage	Code
T11	23875
T12	231307
T13	231158 current version
T13	23553 Till s/n. 712343

### Ref. 10\* - Hot Gas Valve Coil

Voltage	Code
T11	231294
T12	231294
T13	23256



### Common Parts

Ref.	Spare Description	Code
1*	Overflow Cap	10305
2*	Overflow Pipe	10133
3*	OR Gasket for Overflow Pipe	20233
4	Overflow Pipe	10241
5	Silicone Gasket	13006
6	Basin	10260
7	Semirigid Polyethylene Gasket	13007
8	Bin Discharge Nut	10096
9*	Overflow Pipe	13108
10	Water Outlet Nipple	10472
11	Ice Cubes Slide	D12057
12	Slide Keep Plate	10009

### Parts for Air-Cooled Version Only

Ref.	Spare Description	Code
13	Discharges Manifold	C10006

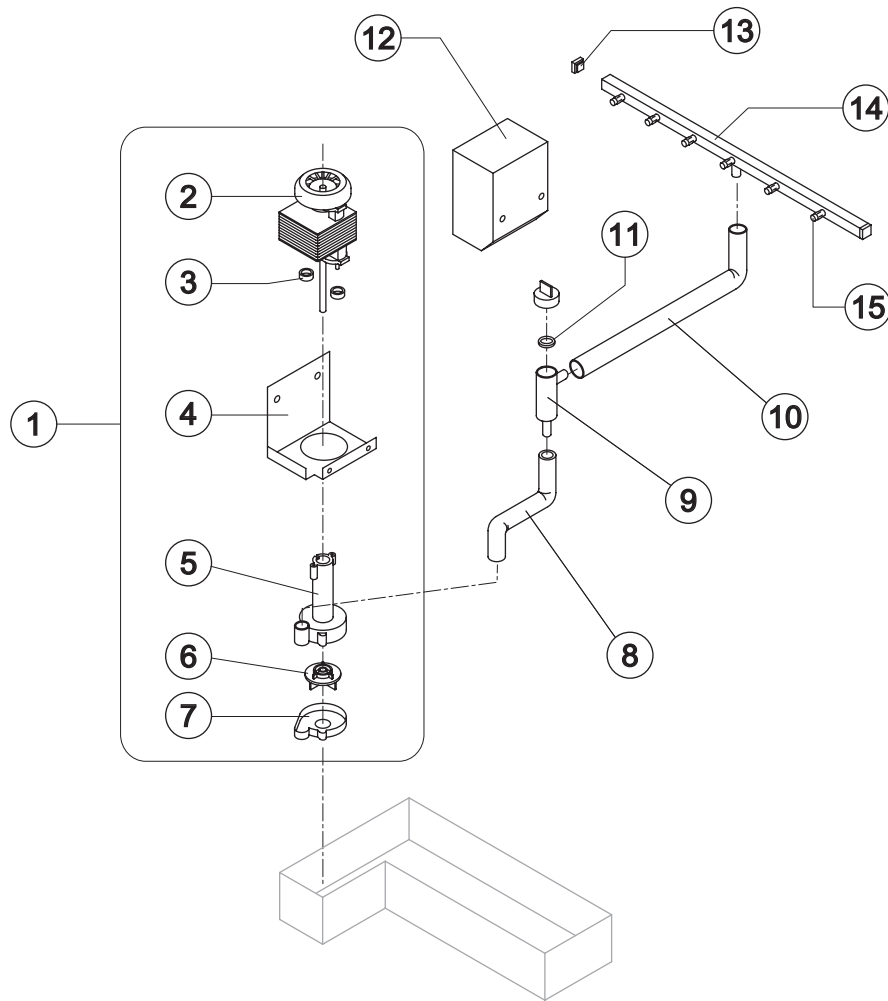
### Parts for Water-Cooled Version Only

Ref.	Spare Description	Code
13	Discharges Manifold	C26452



# VB 250

# SPRAYER PUMP



Ref.	Spare Description	Code
1*	Pump Assembly	See Table
2	Pump	See Table
3	Pump Motor Shim	20510
4	Pump Support Plate	22660
5	Pump Body	10065
6	Pump Imeller	10138
7	Diffusor	10067
8	Pump-Filter Connection Pipe	13113
9*	Pump Filter	10139
10	Sprayers Feeding Pipe	13111
11	Pump Filter Gasket	13080
12	Pump Fender	10276
13	Sprayers Bar Plug	10012
14*	Sprayers Bar Assembly	C20465
15	Sprayer	D20002

### Ref. 1\* - Pump Assembly

Voltage	Code
T11	C23566
T12	C23568
T13	C23567

### Ref. 2 - Pump

Voltage	Code
T11	23073
T12	23187
T13	23188

Rev. 12 - 07/03/2018



### Common Parts

Ref.	Spare Description	Code
7	Contactors	Only T13 23595
8*	Green Light Switch (On-Off)	23327
9*	Condenser Pressure Switch	23175
10*	Bin Thermostat	R23005
11*	Evaporator Thermostat	R23591
12*	Timer	See Table

### Parts for Air-Cooled Version Only

Ref.	Spare Description	Code
1*	Fan Motor	See Table
3*	1 Way- Water Inlet Valve	See Table
13	Anti Radio Interference Filter	Only T11 C23459

### Parts for Water-Cooled Version Only

Ref.	Spare Description	Code
2*	2 Ways- Water Inlet Valve	See Table
6*	Safety Thermostat	C23114
13	Anti Radio Interference Filter	Only T11 C23457

#### Ref. 1\* - Fan Motor

Voltage	Code
T11	23067
T12	23681
T13	23621

#### Ref. 2\* - 2 Ways-Water Inlet

Voltage	Code
T11	23010
T12	23010
T13	23261

#### Ref. 3\* - 1 Way-Water Inlet

Voltage	Code
T11	23001
T12	23001
T13	23260

#### Ref. 12\* - Timer

Voltage	Code
T11	23247
T12	231077
T13	23258

Rev. 12 - 07/03/2018

