



Modular ice maker - Sprayer system Daily production up to 320 kg

Hotel	████████████████████
Restaurant	██████████████████
Fast food	██████████████
Bar	████████████████████
Disco	████████████████████
Fish market	██████████████
Supermarket	██████████████
Medical & SPA	██████████████
Industry	██████████████

► Position n°

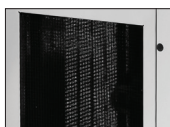


► Features & Plus

- Compact and crystal cube
- AISI 304 SS Scotch Brite finish
- Tropical class +43°C
- Removable and cleanable air filter
- Air or water cooling system
- Easy cleanable internal rounded surfaces
- RoHS Free
- Electromechanical operation
- ON-OFF rocker switch
- Standard and special voltages



AISI 304 SS
Scotch Brite finish

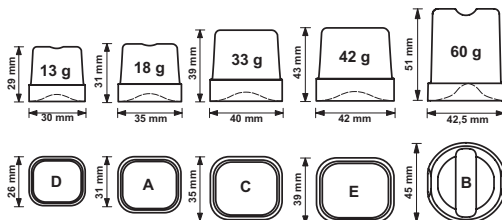


Removable and
cleanable air filter

► Usable Bins

- Bin 350

► Available ice cube size



► Prod. 24h

Air temp.	Air temp.		Water temp.		Kg	Lbs
	10° C	50° F	7° C	45° F		
	21° C	70° F	15° C	60° F		
					320	705
					300	661

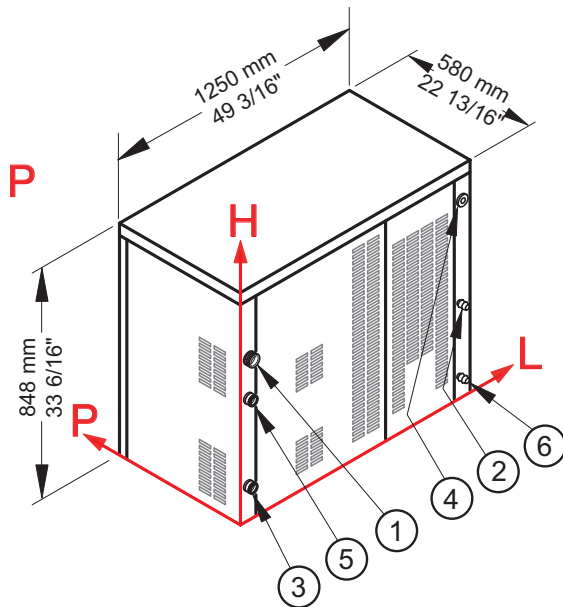
2 Years Warranty
subject to limitations

► Certifications available for this model





Ice Cube

C 300**Modular ice maker - Sprayer system**
Daily production up to 320 kg**► Working conditions**

- Location: **Indoor**

	Min	Max
Ambient temperature	+10° C / +50° F	+43° C / 110° F
Water temperature	+3° C / +37° F	+32° C / +90° F
Voltage	-10%	+10%
Water inlet pressure	1bar (14 psi)	6bar (84 psi)

► Performances

	Air temperature	Water temperature	Water temperature				
			7° C	45° F	15° C	60° F	21° C
	10° C	320 kg					
	50° F	705 lbs					
	21° C		300 kg				
	70° F			661 lbs			
	32° C				260 kg		
	90° F					573 lbs	

► Connections

All measures are referred to the down-left corner (L-H-Ø)

- ① Water in.: 39 mm / 1 9/16" - 582 mm / 22 15/16" - 3/4"
- ② Cond. water in.: 1217 mm / 47 15/16" - 298 mm / 11 12/16" - 3/4"
- ③ Water out.: 29 mm / 1 2/16" - 73 mm / 2 14/16" - 24 mm / 15/16"
- ④ Electrical connections: 1222 mm / 48 2/16" - 748 mm / 29 7/16"
- ⑤ Water out.: 31 mm / 1 4/16" - 440 mm / 17 5/16" - 24mm / 15/16"
- ⑥ Cond. water out.: 1222 mm / 48 2/16" - 55 mm / 2 3/16" - 3/4" mm / 8/16"
- ② ⑤ Only for water cooling systems

► Technical information

Production in 24h	300 kg / 661 lbs
Cooling system	A - W
Kind of cube	A-18g, C-33g, D-13g, E-42g, B-60g
Refrigerant	R404A - R452A
Standard voltage	220-240 V ~ 50 Hz
Average power consumption	2600 W
Fuse	32 A
Finish	AISI 304 stainless steel, scotch brite

Water consumption	A: 2,6 l/kg - 31,1 gal/100 lbs
	W: 14,3 l/kg - 171,4 gal/100 lbs
Sizes (L-P-H mm)	1250 - 580 - 848
(L-P-H in)	49 3/16 - 22 13/16 - 33 6/16
Sizes with pack (L-P-H mm)	1335 - 705 - 1005
(L-P-H in)	52 9/16 - 27 12/16 - 39 9/16
Net weight	152 kg / 335 lbs
Gross weight	178 kg / 392 lbs

All the technical information need to be considered at the following conditions:

Standard Cube (18 g)
Ambient temperature +21° C
Water temperature +15° C
Average power consumption at +43° C (standard voltage)
Refrigerant R404A

Models and specifications are subject to change without notice

Rev. 03 - Issued May 2018



www.bremaice.it
info@bremaice.it

Bim + Data
download