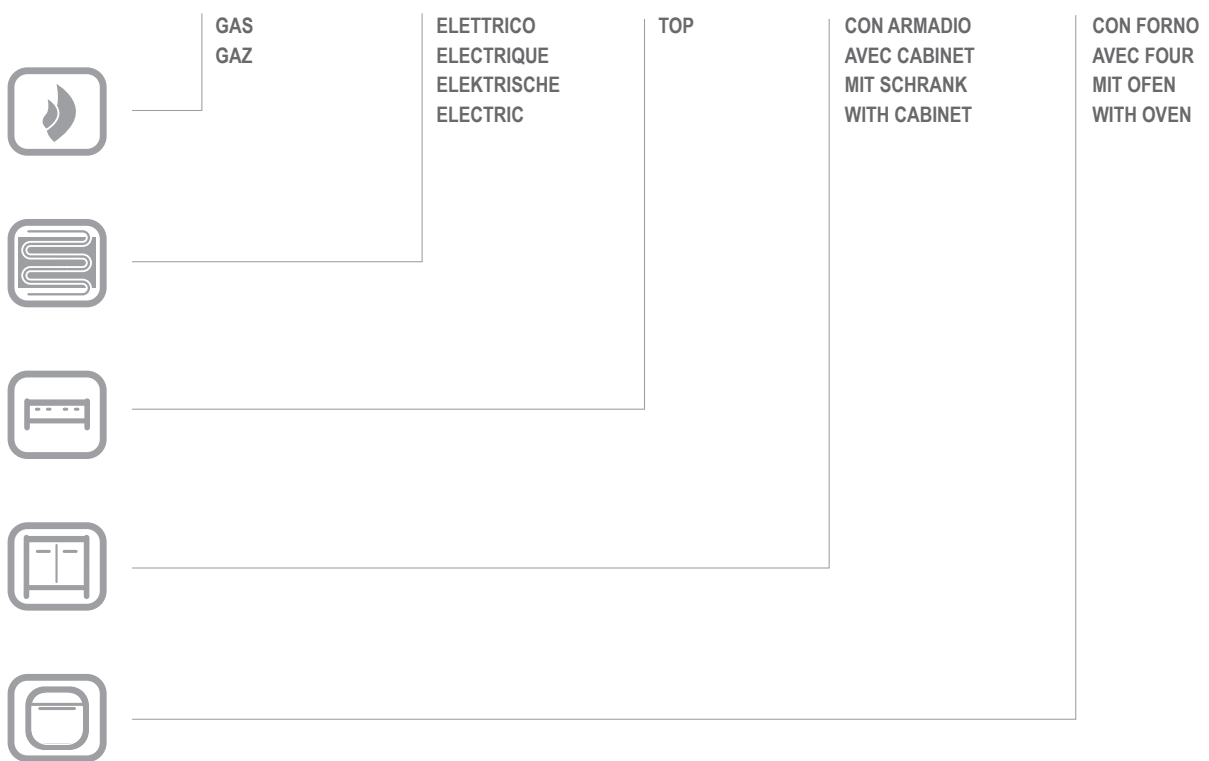




E4F8

E4F8

CATALOGO PARTI DI RICAMBIO
CATALOGUE PIECES DETACHEES
ERSATZTEILKATALOG
SPARE PARTS CATALOGUE



**Catalogo parti di ricambio valido
dalla matricola 0000001 (31.10.2006) ad oggi (27.07.2020)**

**Catalogue pieces detachees
valable à partir du numero de Série n. 0000001 (31.10.2006) jusqu'à aujourd'hui
(27.07.2020)**

**Ersatzteilkatalog
gültig ab Serien-Nr. 0000001 (31.10.2006) bis heute (27.07.2020)**

**Spare parts catalogue
valid from serial no. 0000001 (31.10.2006) up today (27.07.2020)**

**Catálogo de peças de reposição
válido do número de série 0000001 (31.10.2006) até hoje (27.07.2020)**

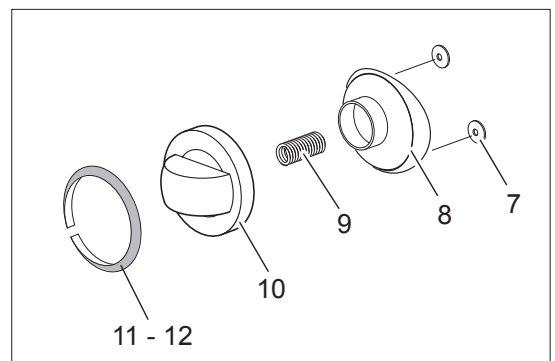
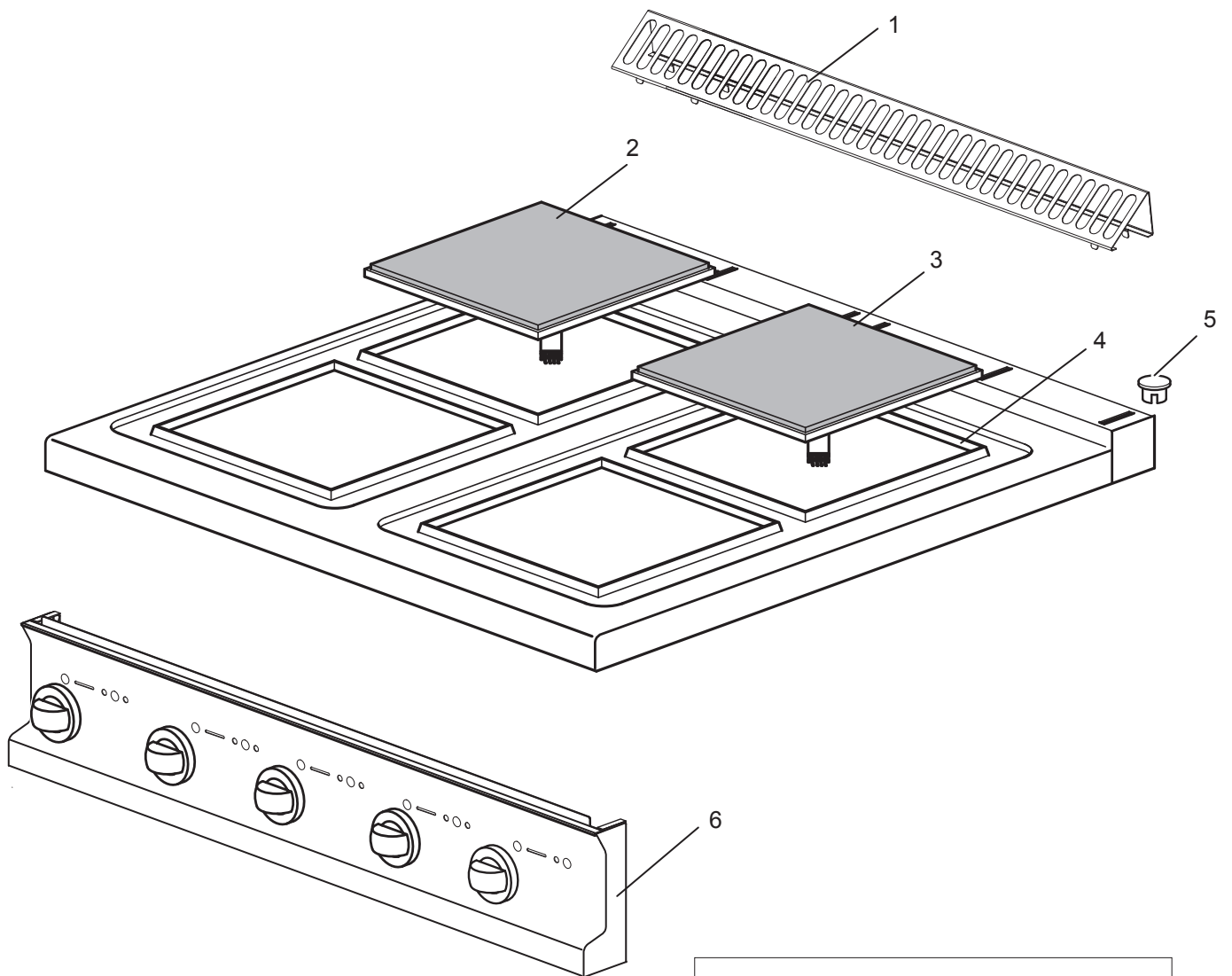
Le informazioni sono considerate non vincolanti. Le immagini rappresentate sono puramente indicative. Il produttore si riserva il diritto di apportare modifiche in qualsiasi momento senza preavviso.

Les informations données ne sont pas contraignantes. Les images montrées sont à titre indicatif. Le producteur se réserve le droit d'apporter des modifications sans préavis.

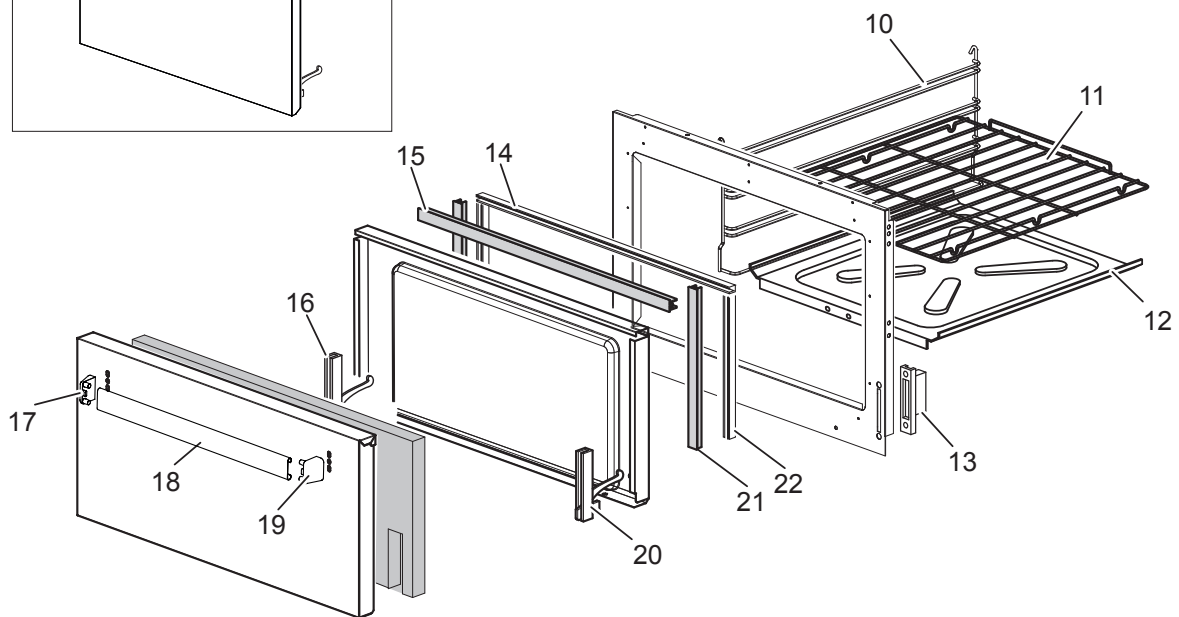
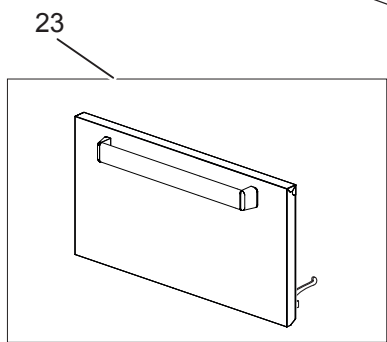
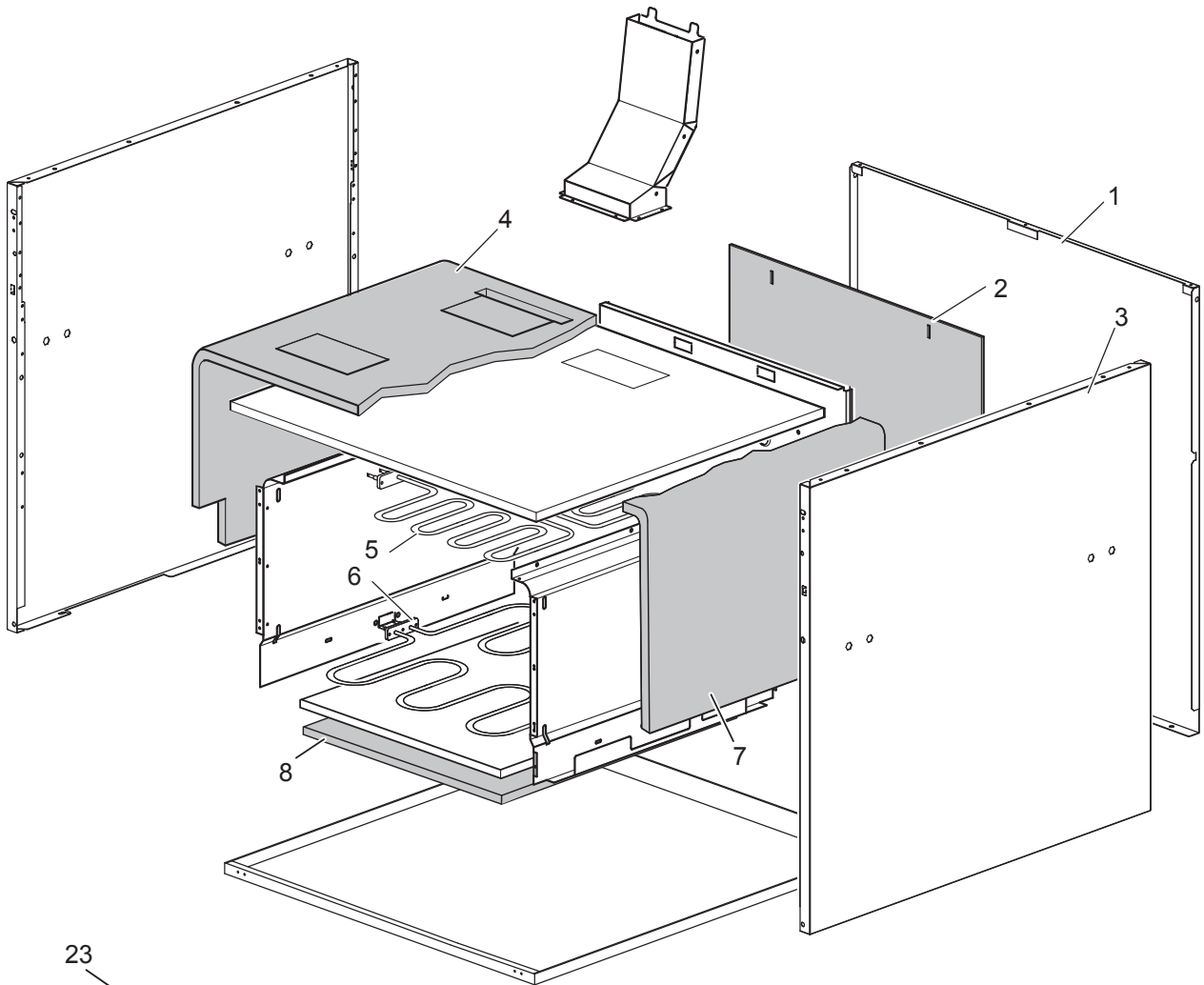
Die im vorliegenden Dokument aufgeführten Informationen und Bilder sind unverbindlich. Der Hersteller behält sich das Recht vor, jederzeit ohne vorherige Ankündigung Änderungen vorzunehmen

Info and drawing could be slightly different from reality and they cannot be considered as compelling. Manufacturer can modify info anytime without forewarning.

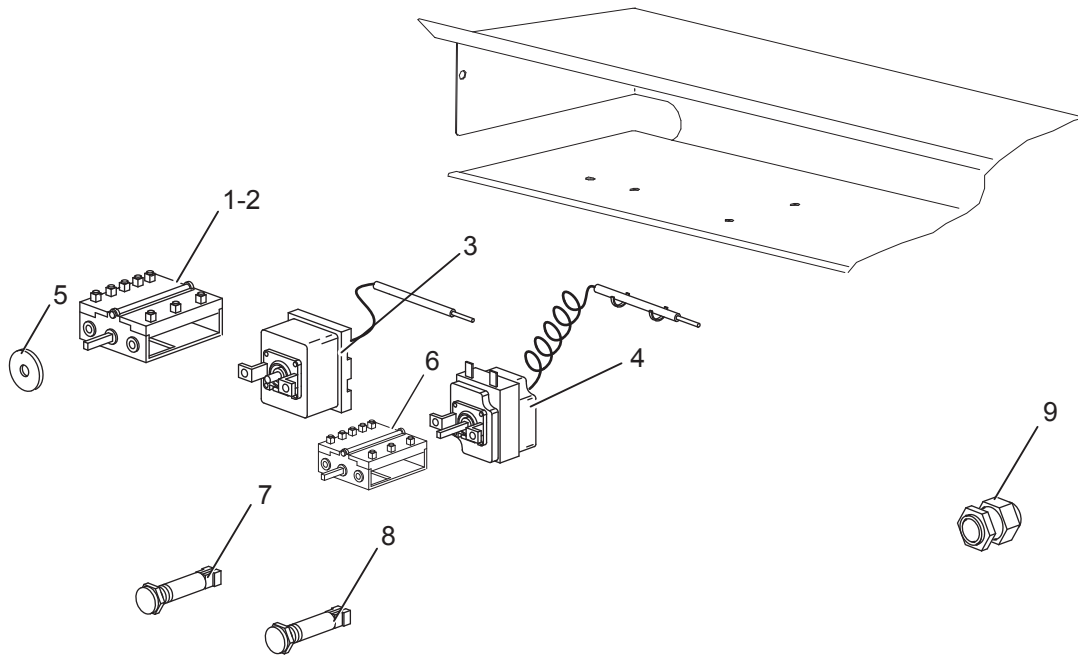
As Informações e desenhos podem estar um pouco diferente da realidade e são puramente indicativas. O fabricante pode modificar estas informações a qualquer momento sem aviso prévio.



Nr.	Code	Title	Recommended
1.	180968	<i>CHIMNEY GRILL</i>	
2.	RTCU800115	<i>ELECTRIC SQUARE PLATE 3 KW</i>	✓
3.	RTCU800118	<i>ELECTRIC PLATE 4 KW</i>	✓
4.	160477	<i>ELECTRIC PLATE COVER</i>	
6.	182458	<i>CONTROL PANEL</i>	
10.	169340	<i>COMMUTATOR KNOB</i>	✓
11.	169363	<i>SWITCH RING</i>	✓
12.	171512	<i>OVEN RING</i>	✓



Nr.	Code	Title	Recommended
1.	180972	<i>BACK SIDE</i>	
2.	162641	<i>INSULATING PANEL</i>	
3.	180969	<i>LATERAL SIDE</i>	
4.	180413	<i>INSULATING PANEL</i>	
5.	182701	<i>GRILL HEATING ELEMENT 2,2KW</i>	✓
6.	161661	<i>OVEN HEATING ELEMENT 3,75KW</i>	✓
7.	180414	<i>INSULATING PANEL</i>	
8.	162642	<i>INSULATING PANEL</i>	
9.	RTCU700277	<i>FOOT</i>	
10.	179341	<i>OVEN LATERAL SIDE</i>	
11.	RTCU700341	<i>OVEN GRATE</i>	
12.	162759	<i>OVEN PLATE</i>	
13.	RTCU900004	<i>SUPPORT FOR OVEN HINGE</i>	✓
14.	184111	<i>GASKET HOLDER</i>	
15.	163889	<i>UPPER GASKET FOR OVEN DOOR</i>	✓
16.	RTCU900027	<i>LEFT HINGE DOOR</i>	✓
17.	RTCU800001	<i>HANDLE TERMINAL</i>	
18.	168346	<i>HANDLE</i>	
19.	RTCU800001	<i>HANDLE TERMINAL</i>	
20.	RTCU900026	<i>RIGHT HINGE DOOR</i>	✓
21.	163888	<i>LATERAL GASKET FOR OVEN DOOR</i>	✓
22.	184105	<i>GASKET HOLDER</i>	
23.	RIC0004761	<i>OVEN DOOR COMPLETE</i>	



Nr.	Code	Title	Recommended
1.	RTCU700078	<i>ELECTRIC PLATE COMMUTATOR</i>	✓
2.	RTCU800151	<i>ELECTRIC PLATE COMMUTATOR</i>	✓
3.	RTCU800152	<i>SAFETY THERMOSTAT</i>	✓
4.	RTCU600067	<i>WORKING THERMOSTAT</i>	✓
5.	RTCU800185	<i>GASKET FOR COMMUTATOR ROD</i>	✓
6.	167516	<i>COMMUTATOR</i>	✓
7.	166465	<i>GREEN WARNING LIGHT</i>	✓
8.	166466	<i>ORANGE LAMP LIGHT</i>	✓
9.	RTBF800138	<i>CHOCK PG21</i>	