

ecomaxTM
by **HOBART**

GLASS AND DISHWASHER



 made in germany



ECOMAX G404 **COMPACT GLASSWASHER**

The fast and reliable glasswasher in compact design. Perfect for start-ups, small bars or restaurants.

FEATURES

- Electronic control with digital temperature indication for easy operation
- Rotating wash and rinse arms for an even water distribution
- Indented nozzles prevent blocking
- Integrated counter for cycles and water consumption, e.g. for control of water treatment system
- Deep drawn rack track for easy cleaning
- USB connection for easier service access
- Incl. connection cable, supply and drain hose for immediate operation
- Thermostop function for guaranteed temperatures
- Self-cleaning programme for hygienic cleanliness also in the machine
- Switchable to thermolabile temperature setting





ECOMAX F504 DISHWASHER

With a high capacity of up to 60 racks per hour, this dishwasher is a reliable partner for club houses, bistros, and fast-food restaurants. The practical floor unit fits under every work counter.

FEATURES

- Electronic control with digital temperature indication for easy operation
- Rotating wash and rinse arms for an even water distribution
- Indented nozzles prevent blocking
- Integrated counter for cycles and water consumption, e.g. for control of water treatment system
- Deep drawn rack track for easy cleaning
- USB connection for easier service access
- Incl. connection cable, supply and drain hose for immediate operation
- Thermostop function for guaranteed temperatures
- Self-cleaning programme for hygienic cleanliness also in the machine
- Tank strainer reduces soiling of the tank water
- Rinse pressure pump for optimum flow pressure
- Switchable to thermolable temperature setting



ECOMAX H604 HOOD-TYPE DISHWASHER

The dishwasher for ergonomic and efficient work processes in the kitchen. Combined with tables, it is a powerful partner for the catering and hotel sector.

FEATURES

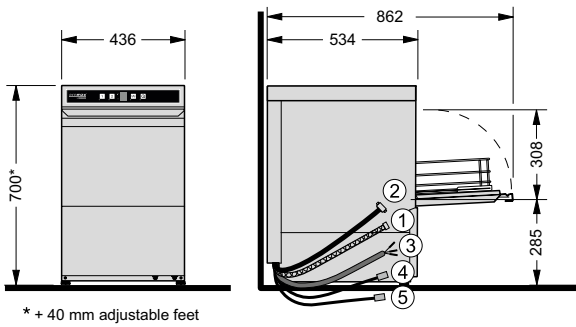
- The 4-sided closed hood keeps energy and humidity in the system and saves up to 3 kW energy
- Electronic control with digital temperature indication and 3 programmes for easy operation
- Deep-drawn wash tank for easy cleaning
- Rotating wash and rinse arms for an even water distribution
- Indented nozzles prevent blocking
- Incl. connection cable, supply and drain hose for immediate operation
- Thermostop function for guaranteed temperatures
- Self-cleaning programme for hygienic cleanliness also in the machine
- Switchable to thermolable temperature setting



DRAWINGS

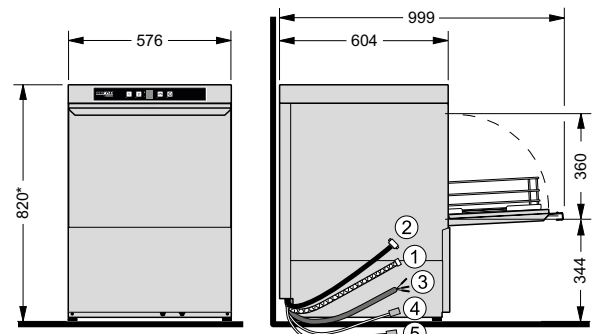


Glasswasher model **G404**



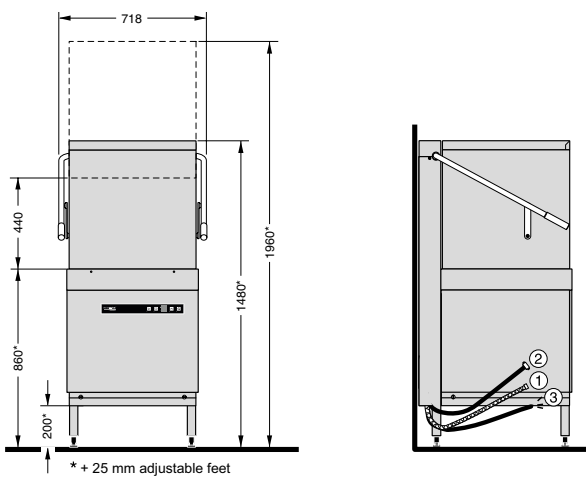
* + 40 mm adjustable feet

Undercounter dishwasher model **F504**

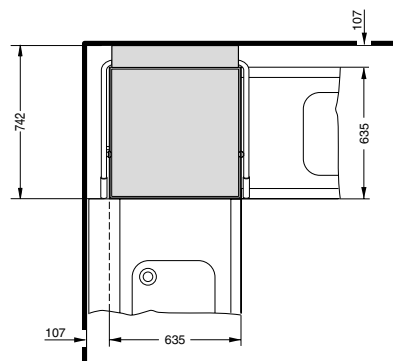


* + 40 mm adjustable feet

Hood-type dishwasher model **H604**



* + 25 mm adjustable feet



- ① Drain hose
- ② Supply hose
- ③ Connection cable
- ④ Liquid detergent
- ⑤ Rinse aid

FEATURES


MODELS	GLASSWASHER			UNDERCOUNTER DISH-WASHER			HOOD-TYPE DISHWASHER		
	G404 -10	G404 -12	G404 -20	F504 -10	F504 -12	F504 -33	H604 -31	H604 -32	H604 -33
Double-walled doors/hood	●	●	●	●	●	●	–	–	–
Deep-drawn wash tank	–	–	–	–	–	–	●	●	●
Door/hood damping control	–	–	–	–	–	–	●	●	●
Tank strainer	–	–	–	●	●	●	●	●	●
Drain pump	○	●	●	○	●	–	○	–	–
Rinse pressure pump*	–	–	●	●	●	●	●	●	●
Rinse aid dispenser	●	●	●	●	●	●	○	○	○
Detergent dispenser	○	●	●	○	●	○	○	○	○
Base cabinet (435 mm high) with removable door	–	–	–	○	○	○	–	–	–
Glass rack (4 sloped rows)	●	●	●	–	–	–	–	–	–
Glass rack (flat)	○	○	○	–	–	–	–	–	–
Plate rack P-18-12	–	–	–	●	●	●	–	–	–
Cutlery box CB1	●	●	●	●	●	●	–	–	–

* Necessary flow pressure without rinse pressure pump: 2 - 6 bar. Flow pressure with integrated rinse pressure pump: 0.8 - 6 bar.

● Inclusive ○ Optional – Not included

TECHNICAL SPECIFICATIONS

made in germany

MODELS						
	G404	F504	F504-33	H604-31	H604-32	H604-33
Cycle times*	60 / 120 sec.	60 / 150 sec.	60 / 150 sec.	60 / 120 / 180 sec.	60 / 120 / 180 sec.	60 / 120 / 180 sec.
Rack capacity	60/h	60/h	60/h	60/h	60/h	60/h
Tank capacity	10 l	25 l	25 l	21 l	21 l	21 l
Water consumption	2.0 l/rack	2.3 l/rack	2.3 l/rack	2.3 l/rack	2.3 l/rack	2.3 l/rack
Wash pump	0.18 kW	0.34 kW	0.35 kW	0.4 kW	0.9 kW	0.9 kW
Tank heating	1.8 kW	1.8 kW	1.8 kW	2.5 kW	2.5 kW	2.2 kW
BOOSTER LOADING						
Standard	1.9 kW (230 V)	5.6 kW (400 V)	3.7 kW (1P)	11 kW	11 kW (3P)	10 kW
Alternative	5.6 kW (400 V)	3.7 kW (230 V)	5.5 kW (3P)	–	3.6 kW (1P)	–
TOTAL CONNECTED LOAD						
Standard	2.1 kW (230 V)	5.9 kW (400 V)	4.1 kW (1P)	11.5 kW	12.1 kW (3P)	11.1 kW
Alternative	5.8 kW (400 V)	4.1 kW (230 V)	5.9 kW (3P)	–	4.5 kW (1P)	13.3 kW
Rated voltage	230 / 50 / 1 (400 / 50 / 3N)	400 / 50 / 3N (230 / 50 / 1)	230 / 60 / 1 (230 / 60 / 3)	400 / 50 / 3N	230 / 60 / 3 (230 / 60 / 1)	380 / 60 / 3
Width	436 mm	576 mm	576 mm	635 mm	635 mm	635 mm
Depth	534 mm	604 mm	604 mm	742 mm	742 mm	742 mm
Height	700 mm	820 mm	820 mm	1,480 (1,960) mm	1,480 (1,960) mm	1,480 (1,960) mm
Loading height	308 mm	360 mm	360 mm	440 mm	440 mm	440 mm
Rack size	390 x 390 mm	500 x 500 mm	500 x 500 mm	500 x 500 mm	500 x 500 mm	500 x 500 mm

* The machine is equipped with an automatic cycle-time control which ensures hygienic rinse temperatures even on a cold-water supply or with reduced heating performance.



HOBART GMBH

Robert-Bosch-Straße 17 77656 Offenburg · Germany

Phone: +49(0)781.600-2820

Fax +49(0)781.600-2819

E-mail: info-export@hobart.de

Internet: www.hobart-export.com

HOBART INTERNATIONAL (S) PTE LTD

158 · Kallang Way · #06-03/05 · Singapore 349245

Phone: +65(0)6846 7117

Fax: +65(0)6846 0991

E-mail: enquiry@hobart.com.sg

Internet: www.hobart.com.sg

Member of the ITW Food Equipment Group



The details given in this brochure are correct as of 04/2020.
We reserve the right to technical or design modifications.