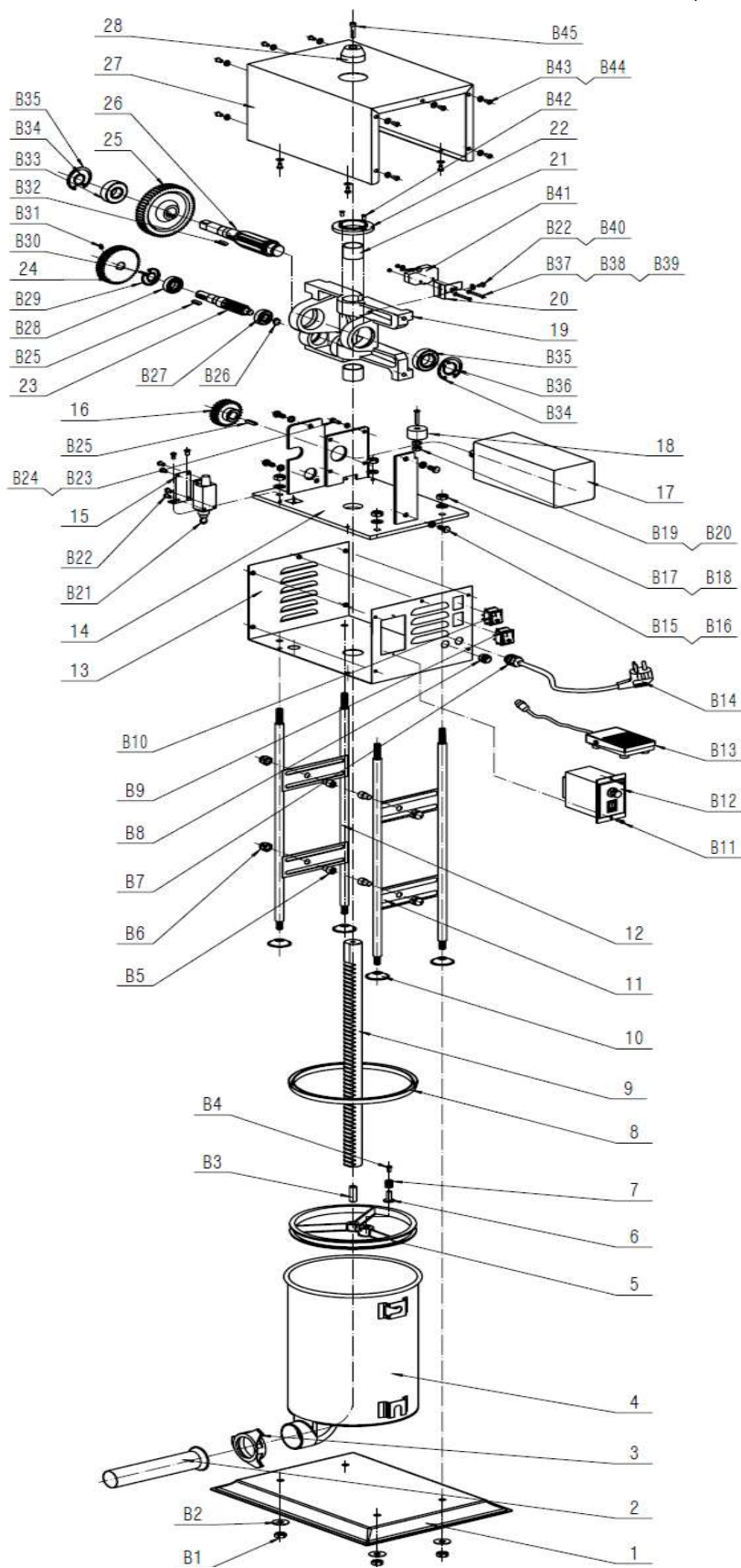


ШПРИЦ КОЛБАСНЫЙ HURAKAN HKN-ISE30



ШПРИЦ КОЛБАСНЫЙ HURAKAN HKN-ISE30

Поз	Наименование детали		
1	Base	B30	Circlip for shaft 17
2	Enema	B31	Hexagon socket set screws with flat point
3	Door cover	B32	Flat key A6×18
4	Enema bucket	B33	Deep groove ball bearings 6204
5	piston	B34	Circlip for shaft 20
6	Exhaust plug	B35	Circlips for holes 47
7	Cylindrical compression spring	B36	Circlip for shaft 25
8	Piston seal	B37	Cross recessed pan head screws
9	rack	B38	Flat washer 4
10	Decorative washers	B39	Hex nut M4
11	Left bracket	B40	Flat washer 5
12	Right bracket	B41	Limit switch
13	Gear box bottom cover	B42	Cross recessed countersunk head screws
14	Gearbox mounting bracket	B43	Cross recessed pan head screws
15	Limit switch mounting bracket 1	B44	Flat washer 6
16	Gear 1	B45	Hexagon socket head screw
17	Motor		
18	Plastic feet		
19	Gearbox components		
20	Limit switch mounting bracket 2		
21	Sliding bearing		
22	Limit sleeve		
23	Pinion		
24	Gear 2		
25	gear		
26	Big gear shaft		
27	Gear box cover		
28	Rack limit cap		
B1	Hex nuts		
B2	Flat washer 10		
B3	Hexagon socket set screws with flat point		
B4	Cross recessed flat head screws		
B5	Hexagon socket head screw		
B6	Cap nut		
B7	Can't pull off		
B8	Aviation plug		
B9	Rocker switch		
B10	Rocker switch		
B11	Cross recessed countersunk head screws		
B12	Speed switch		
B13	Foot switch		
B14	power cable		
B15	Hexagon head bolt M8x12		
B16	Flat washer 8		
B17	Hex nuts		
B18	Flat washer 10		
B19	Hex nut M8		
B20	Cross recessed pan head screws		
B21	Limit switch		
B22	Cross recessed pan head screws		
B23	Hexagon socket head screw		
B24	Flat washer 6		
B25	Flat key A type A5×25		
B26	Circlip for shaft 12		
B27	Deep groove ball bearings 6201		
B28	Deep groove ball bearings 6003		
B29	Circlip for hole 35		