

Apach

COOK *line*

Catalogo parti di ricambio valido
dalla matricola 0000001 (31.10.2006) ad oggi (09.03.2023)

Catalogue pieces detachees
valable à partir du numero de Série n. 0000001 (31.10.2006) jusqu'à aujourd'hui
(09.03.2023)

Ersatzteilkatalog
gültig ab Serien-Nr. 0000001 (31.10.2006) bis heute (09.03.2023)

Spare parts catalogue
valid from serial no. 0000001 (31.10.2006) up today (09.03.2023)

Catálogo de peças de reposição
válido do número de série 0000001 (31.10.2006) até hoje (09.03.2023)

Le informazioni sono considerate non vincolanti. Le immagini rappresentate sono puramente indicative. Il produttore si riserva il diritto di apportare modifiche in qualsiasi momento senza preavviso.

Les informations données ne sont pas contraignantes. Les images montrées sont à titre indicatif. Le producteur se réserve le droit d'apporter des modifications sans préavis.

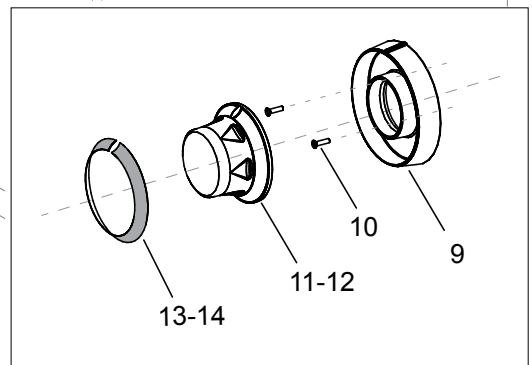
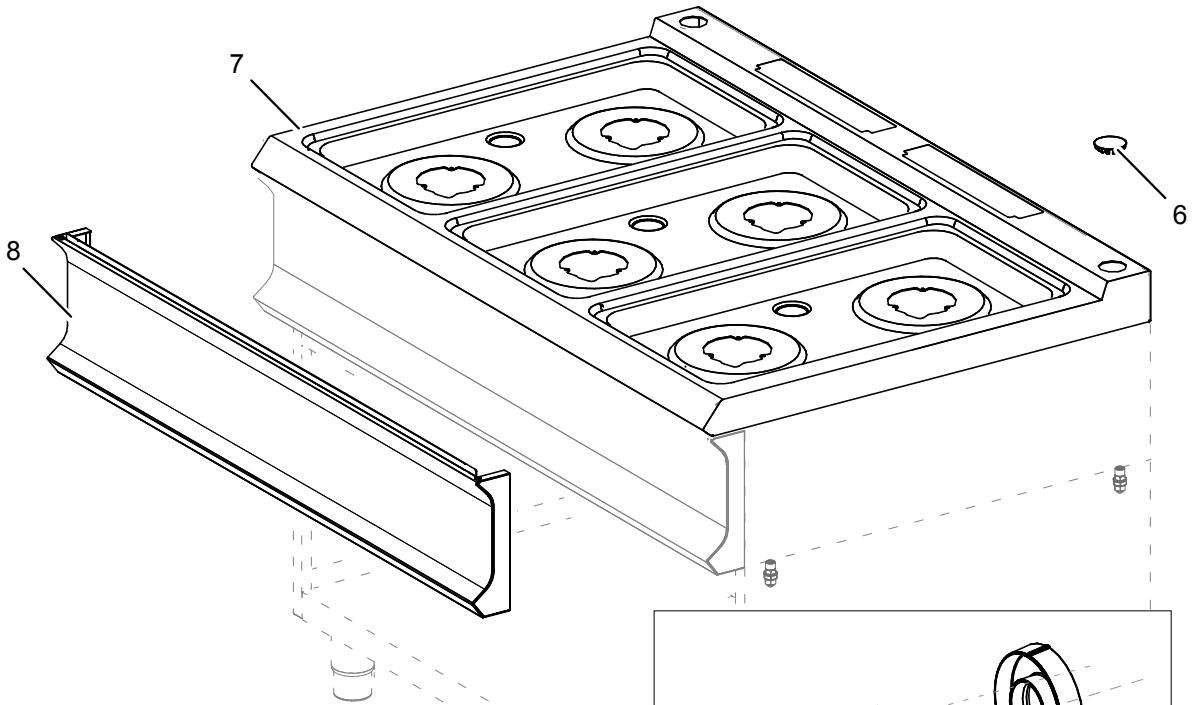
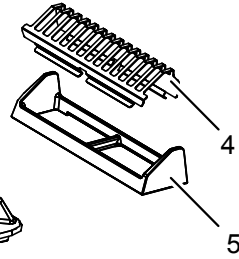
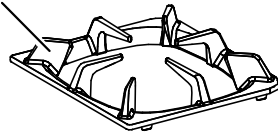
Die im vorliegenden Dokument aufgeführten Informationen und Bilder sind unverbindlich. Der Hersteller behält sich das Recht vor, jederzeit ohne vorherige Ankündigung Änderungen vorzunehmen

Info and drawing could be slightly different from reality and they cannot be considered as compelling. Manufacturer can modify info anytime without forewarning.

As Informações e desenhoS podem estar um pouco diferente da realidade e são puramente indicativas. O fabricante pode modificar estas informações a qualquer momento sem aviso prévio.

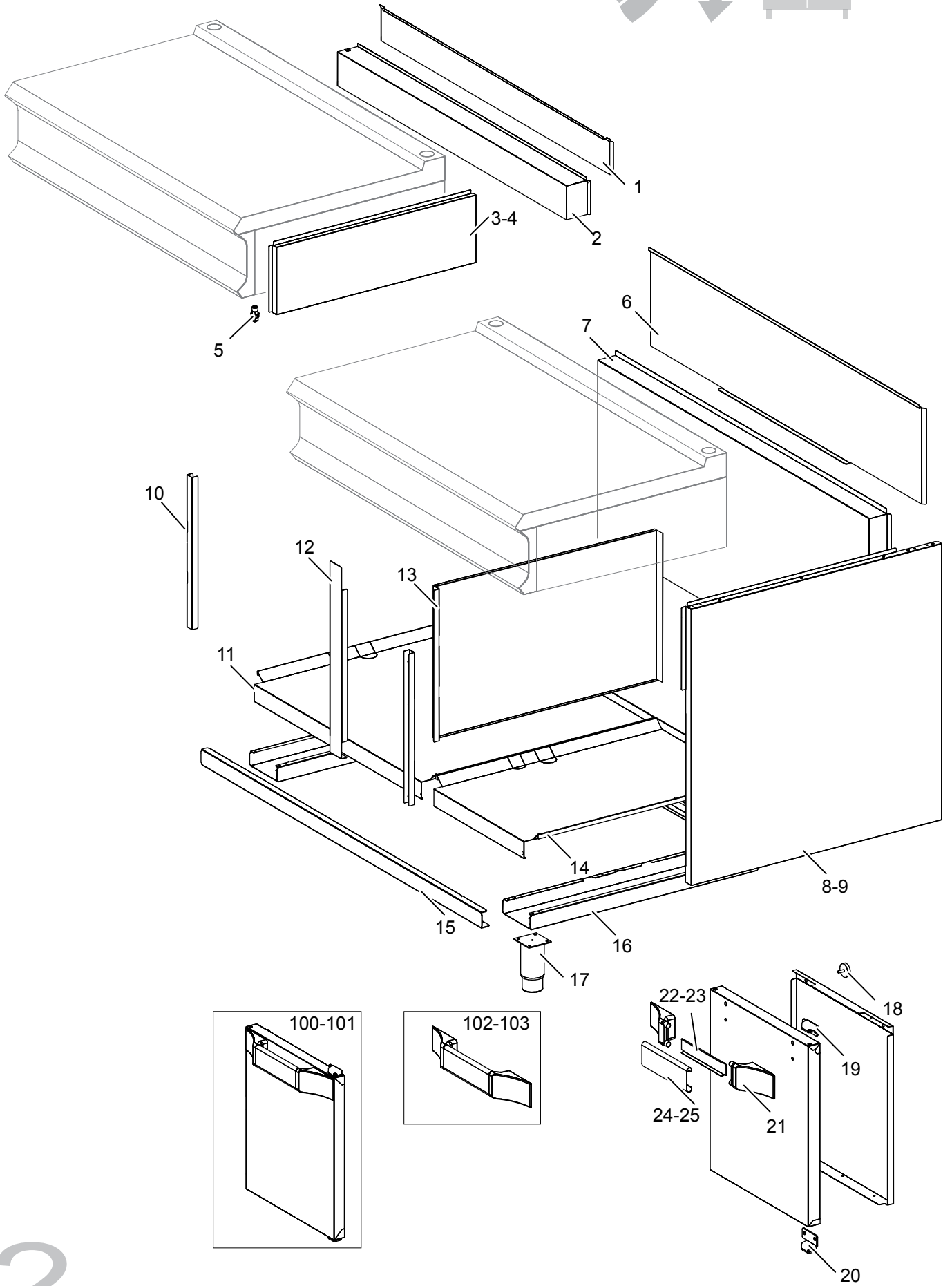


1-2-3

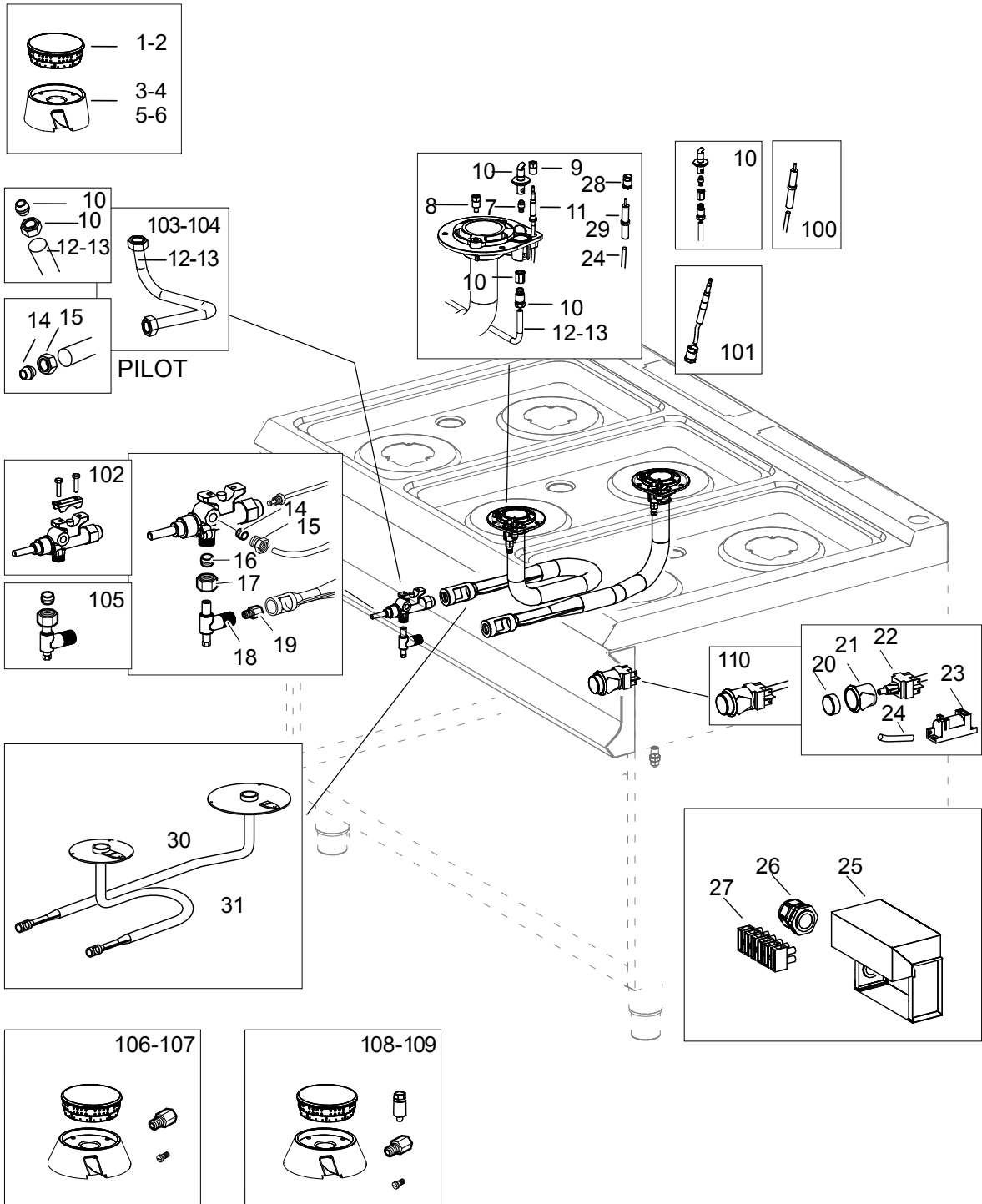


1

Nr.	Code	Title	Recommended
1.	185746	<i>SINGLE CAST IRON GRID D.</i>	
4.	200018	<i>CHIMNEY GRILL S/STEEL</i>	
5.	200017	<i>CAST IRON CHIMNEY GRILL</i>	
6.	200787	<i>STOPPER</i>	
7.	200235	<i>WORK PLANE</i>	
8.	200538	<i>CONTROL PANEL</i>	
9.	200135	<i>NUT</i>	
10.	201660	<i>SCREW M3X10</i>	
11.	200132	<i>BURNER KNOB</i>	
13.	200160	<i>KNOB RING</i>	
100.	ECS7004	<i>RECOMMENDED PARTS FOR FB74A</i>	✓



Nr.	Code	Title	Recommended
6.	200013	<i>BACK SIDE TALL</i>	
7.	200071	<i>BACK SIDE INFERIOR</i>	
8.	200031	<i>LATERAL SIDE RIGHT</i>	
9.	200032	<i>LATERAL SIDE LEFT</i>	
10.	200002	<i>HIP REINFORCEMENT</i>	
11.	200040	<i>REMOVABLE LOWER FLOOR</i>	
12.	200022	<i>FRONT CROSS MEMBER</i>	
13.	200001	<i>BULKHEAD CLOSET</i>	
14.	200015	<i>REMOVABLE LOWER FLOOR</i>	
15.	200070	<i>BOTTOM CROSSPIECE</i>	
16.	200030	<i>CROSS FEET</i>	
17.	RTCU700277	<i>FOOT</i>	



Nr.	Code	Title	Recommended
1.	185734	BURNER CAP 7 KW	✓
3.	200656	BURNER 7KW	
7.	INIETTORE	SEE HANDBOOK NOZZLES	
9.	RTCU700391	NUT FIXING THERMOCOUPLE	✓
10.	185732	PILOT BURNER FLEX 2.0	✓
11.	RTCU700374	THERMOCOUPLE	✓
12.	200737	BACK BURNER PILOT PIPE	
13.	200738	FRONT BURNER PILOT PIPE	
14.	RTCU900019	NUT D.6 HEIGHT 10,5 MM.	✓
15.	RTCU900018	BICONE D.6 MM.6	✓
16.	RTCU900012	BICONE D.10	✓
17.	RTCU700297	NUT D.10	✓
18.	173320	INJECTOR SUPPORT TOP	✓
19.	INIETTORE	SEE HANDBOOK NOZZLES	
30.	200196	BACK BURNER DISTRIBUTION PIPE	
31.	200197	FRONT BURNER DISTRIBUTION PIPE	
101.	RTCU700374-00	KIT THERMOCOUPLE	✓
102.	RIC0004953	KIT GAS TAP	✓
103.	RIC0004949	KIT REAR PILOT PIPE FB77FEXSAE	✓
104.	RIC0004948	KIT FRONT PILOT PIPE FB77FEXSAE	✓
105.	RIC0004951	KIT NOZZLE SUPPORT FB77FEXSAE	✓
106.	KFB55S	COMPLETE ENAMELED BURNER KIT 5,5KW	✓
108.	KFB70S	COMPLETE ENAMELLED BURNER KIT 7KW	✓

MOD. 700

XS

5,5kW
5,5kW

5,5kW	5,5kW
5,5kW	5,5kW

5,5kW	5,5kW	5,5kW
5,5kW	5,5kW	5,5kW

XM

7 kW
5,5kW

5,5kW	7 kW
5,5kW	5,5kW

7 kW	5,5kW	7 kW
5,5kW	7 kW	5,5kW

XL

7 kW
7 kW

7 kW	7 kW
7 kW	7 kW

7 kW	7 kW	7 kW
7 kW	7 kW	7 kW

MOD. 980

XS

7 kW
7 kW

7 kW	7 kW
7 kW	7 kW

7 kW	7 kW	7 kW
7 kW	7 kW	7 kW

XM

7 kW	11 kW
7 kW	7 kW

7 kW	7 kW	11 kW
7 kW	7 kW	7 kW

XL

11 kW
7 kW

7 kW	11 kW
11 kW	7 kW

11 kW	7 kW	11 kW
7 kW	7 kW	7 kW

XXL

11 kW
11 kW

11 kW	11 kW
11 kW	7 kW

11 kW	7 kW	11 kW
7 kW	11 kW	7 kW