



CB 955

LIST OF THE EXPLODED VIEWS



SHELL ASSY CB 955A / CB 955W

SHELL ASSY CB 955A DP

COOLING SYSTEM

HYDRAULIC CIRCUIT CB 955A / CB 955W

HYDRAULIC CIRCUIT CB 955A DP

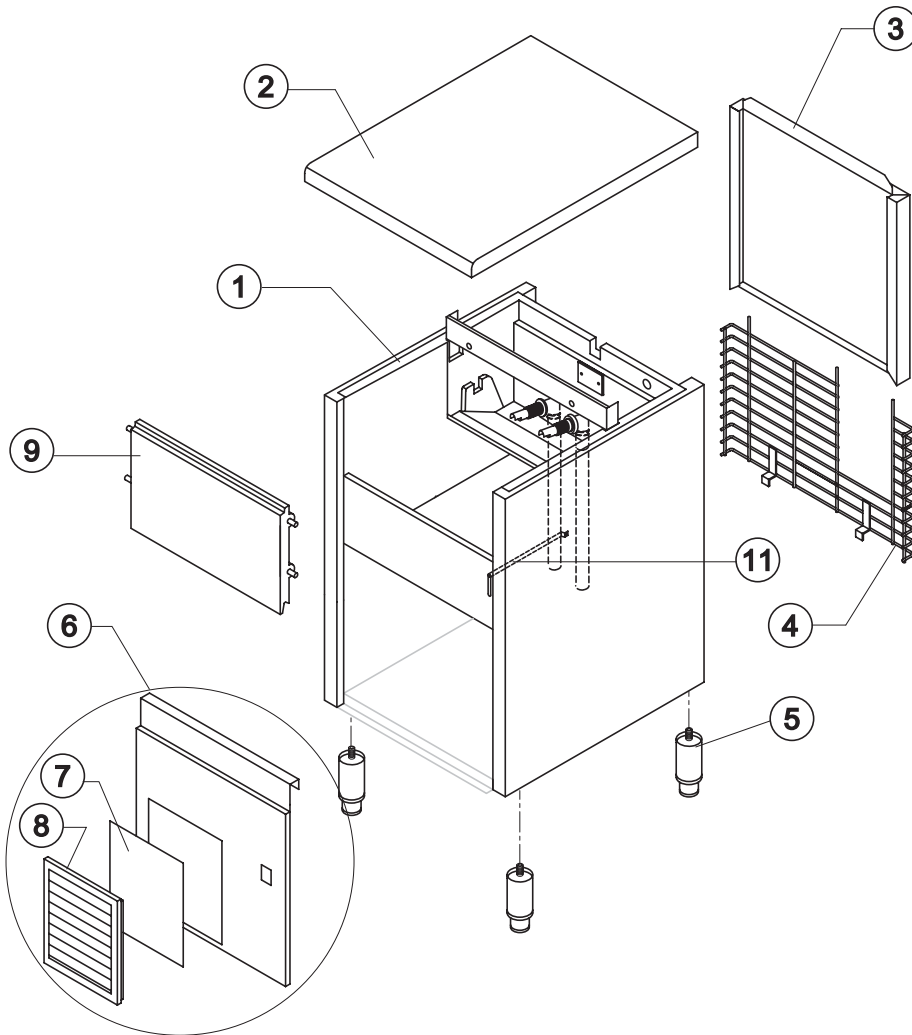
ELECTRIC PARTS



CB 955

SHELL ASSY

CB 955A / CB 955W



Ref.	Spare Description	Code
1	Foamed Cabinet Assy	See Table
2	Top Assy	C22673
3	Rear Panel Assembly	C21185
4	Rear Grid	D12015
5	Adjustable Stainless Steel Foot	20613
6	Front Grid Panel	C22510
7*	Filtering Panel	18106
8	Frame + Grid & Filter	C10205
9	Door Assy	C10275
11	Bulb-holder Pipe	20521

Ref. 1 - Foamed Cabinet Assy

Condensation	Code
Air	RC11040A
Water	RC11040W

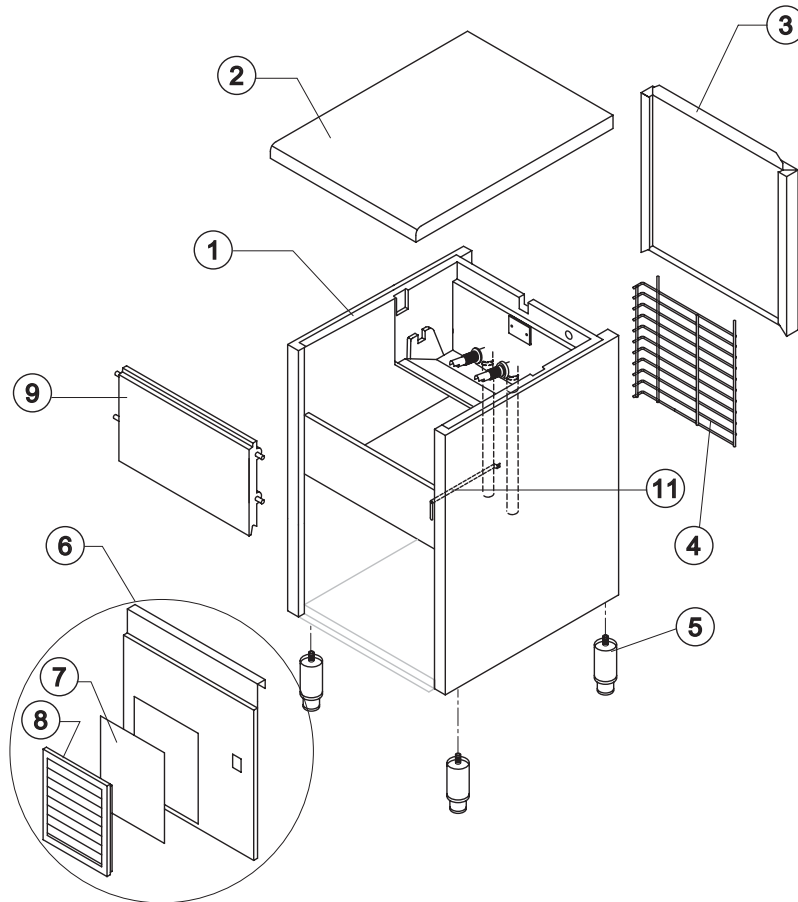
Rev. 13 - 07/03/2018



CB 955

SHELL ASSY

CB 955A DP



Ref.	Spare Description	Code
1	Foamed Cabinet Assy	C11040DP
2	Top Assy	C22673
3	Rear Panel Assembly	C21185
4	Rear Grid	D12102
5	Adjustable Stainless Steel Foot	20613
6	Front Grid Panel	C22510
7*	Filtering Panel	18106
8	Frame + Grid & Filter	C10205
9	Door Assy	C10275
11	Bulb-holder Pipe	20521



CB 955

COOLING SYSTEM

CB 955A / CB 955W / CB 955A DP

Common Parts

Ref.	Spare Description	Code
5	Sucking Fan	10213
6	Fan Fixing Hub	10014
7	Evaporator Cover Panel	10448
8	Evaporator	See Table
9	Solid Core Drier	14089
10	Compressor	See Table
11	Vacuum Charge Valve Body	14007
12*	Vacuum Charge Valve Device	14005
13*	Vacuum Charge Valve Plug	14006
14*	Hot Gas Valve Coil	See Table
15*	Hot Gas Valve Body	20410
16	Suctin Line	for the spare parts code give us the s/n.

Parts for Air-Cooled Version Only

Ref.	Spare Description	Code
1	Air Condenser	20264
3	Air Condenser Conveyor	10163
4	Sucking Fan	20031

Parts for Water-Cooled Version Only

Ref.	Spare Description	Code
2	Water Condenser	See Table

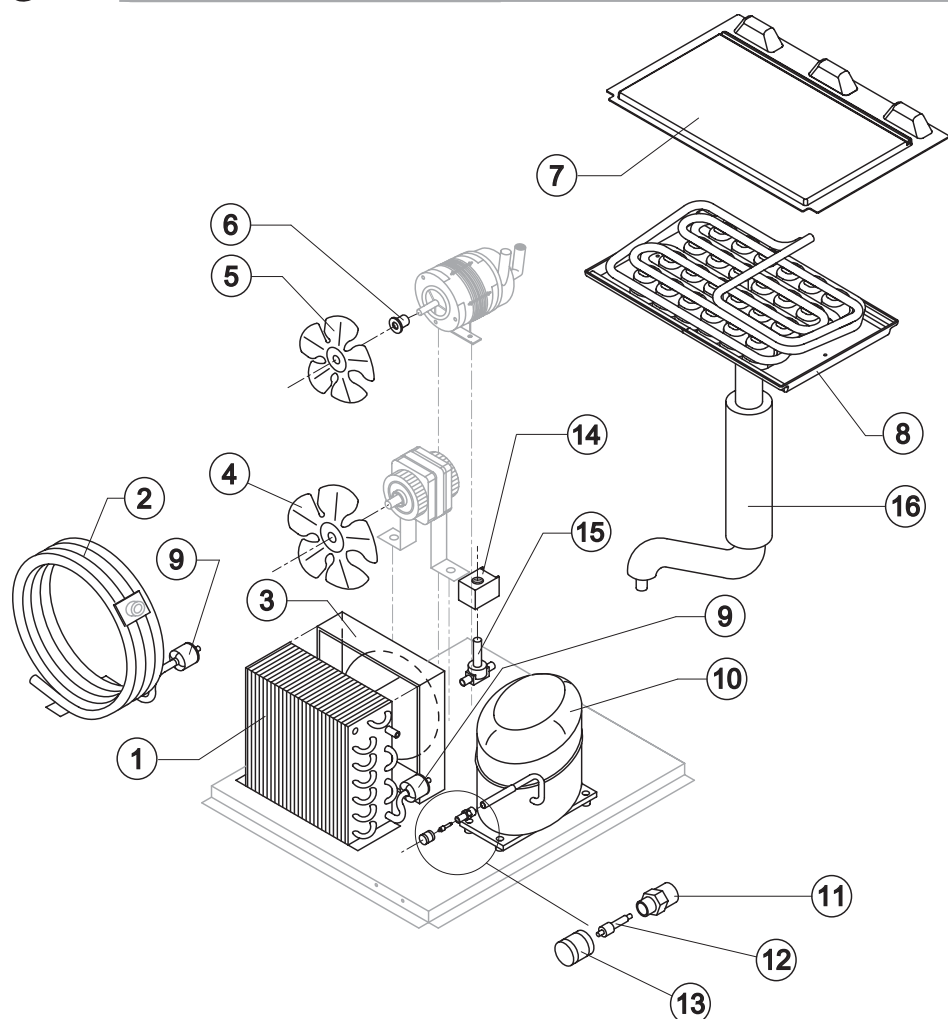
Ref. 10 - Compressor

Voltage	Code	
T11	23875	current version
T11	23444	till s/n. 647330
T12	231307	
T13	231158	current version
T13	23553	till s/n. 712343

Ref. 14* - Hot Gas Valve Coil

Voltage	Code
T11	231294
T12	231294
T13	23256

Rev. 13 - 07/03/2018



Ref. 2 - Water Condenser

Tension	Code	Note
T11	14034	Current Version
T11	14081	Till s/n. 647330
T12	14081	Current Version
T13 e T19	14081	Current Version

Ref. 8 - Evaporator

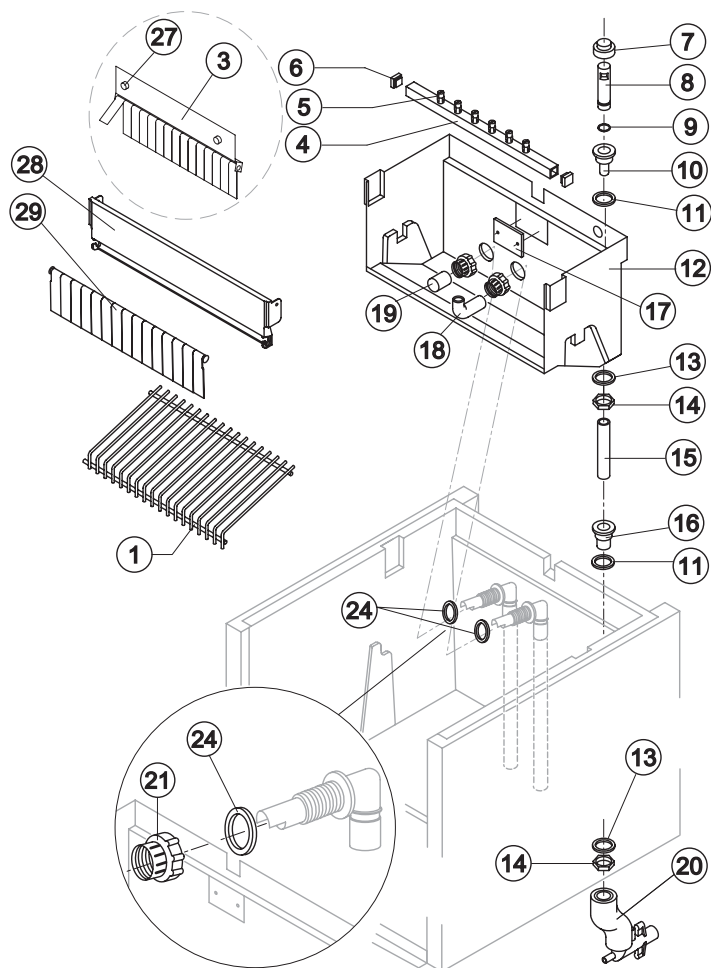
Kind of Cube	Code
18 g. (Standard)	D10047
33 g.	D10090
13 g.	D10418
42 g.	D10480



CB 955

HYDRAULIC CIRCUIT

CB 955A / CB 955W



Common Parts

Ref.	Spare Description	Code
1	Ice Cubes Slide	See Table
3	Flags Support Assy	Till s/n. 816606 C22059
4*	Sprayers Bar Assembly	See Table
5	Sprayer	D20002
6	Sprayers Bar Plug	10012
7*	Overflow Cap	10305
8*	Overflow Pipe	10133
9*	OR Gasket for Overflow Pipe	20233
10	Overflow Pipe Nipple	10471
11	Silicone Gasket	13006
12	Inner Basin	10034
13	Semirigid Polyethylene Gasket	13007
14	Bin Discharge Nut	10096
15*	Overflow Pipe	13110
16	Water Outlet Nipple	10472
17	Slide Keep Plate	Till s/n. 227937 10009
18	Sprayers Feeding Pipe	13005
19*	Pump Suction Filter	20005
21	Fittings Locking Ring	10405
22	Pump Suction/Delivery Pipe	13141
27	Fixing Screw	Till s/n. 816606 20009
28	Flags ABS Support	Current Version 10760
29	Rod with Flags	Current Version C10775

Ref. 1 - Ice Cube Slide

Kind of Cube	Code
18 g. (Standard)	D12017
33 g.	D12031
13 g.	D12039
42 g.	D12071

Ref. 4* - Sprayers Bar Ass.

Kind of Cube	Code
18 g. (Standard)	C20058
33 g.	C20156
13 g.	C20190
42 g.	C20802

Parts for Air Cooled Version Only

Ref.	Spare Description	Code
20	Discharges Manifold	C10006

Parts for Water Cooled Version Only

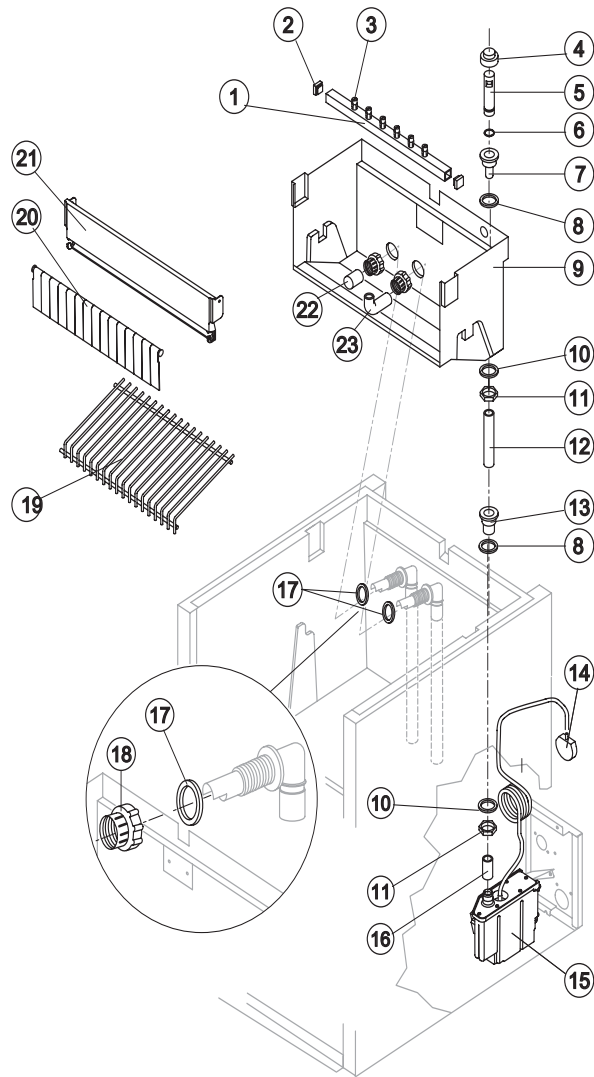
Ref.	Spare Description	Code
20	Discharges Manifold	C26452



CB 955

HYDRAULIC CIRCUIT

CB 955A DP



Common Parts

Ref.	Spare Description	Code
1*	Sprayers Bar Assembly	See Table
2	Sprayers Bar Plug	10012
3	Sprayer	D20002
4*	Overflow Cap	10305
5*	Overflow Pipe	10133
6*	OR Gasket for Overflow Pipe	20233
7	Overflow Pipe Nipple	10471
8	Silicone Gasket	13006
9	Inner Basin	10034
10	Semirigid Polyethylene Gasket	13007
11	Bin Discharge Nut	10096
12*	Overflow Pipe	13110
13	Water Outlet Nipple	10472
14	Drain Pump Pressure Switch	C231230
15	Drain Pump	C231225
16	Bin Discharge-Drain Pump Connection	C13175190
17	Gasket for Pump Suction/Delivery Pipes	13143
18	Fittings Locking Ring	10405
19	Ice Cubes Slide	See Table
20	Rod with Flags	C10775
21	Flags ABS Support	10760
22*	Pump Suction Filter	20005
23	Sprayers Feeding Pipe	13005

Ref. 1* - Sprayers Bar Ass.

Kind of Cube	Code
18 g. (Standard)	C20058
13 g.	C20190

Ref. 19 - Ice Cube Slide

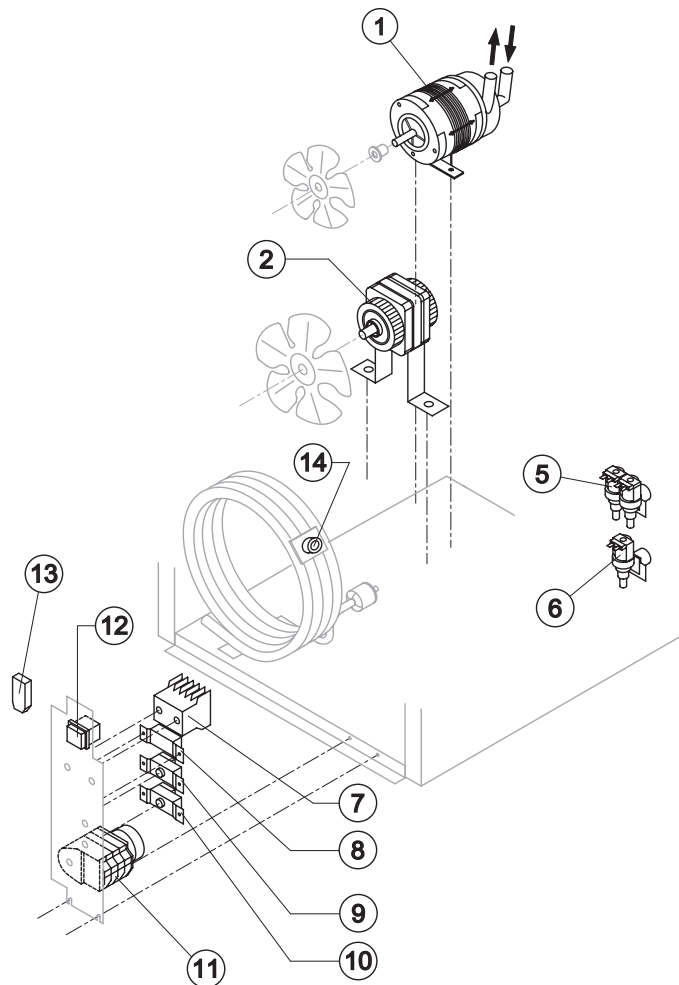
Kind of Cube	Code
18 g. (Standard)	D12017
13 g.	D12039



CB 955

ELECTRIC PARTS

CB 955A / CB 955W / CB 955A DP



Common Parts

Ref.	Spare Description	Code
1*	Pump Assy	See Table
7	Contactor	Only T13 23595
8*	Condenser Pressure Switch	See Table
9*	Bin Thermostat	R23005
10*	Evaporator Thermostat	R23591
11*	Timer	See Table
12*	Green Light Switch (On-Off)	23327

Parts for Air-Cooled Version Only

Ref.	Spare Description	Codice
2*	Fan Motor	See Table
6*	1 Way- Water Inlet Valve	See Table
13	Anti Radio Interference Filter	Only 220V/50-60Hz C23459

Parts for Water-Cooled Version Only

Ref.	Spare Description	Codice
5*	2 Ways- Water Inlet Valve	See Table
13	Anti Radio Interference Filter	Only 220V/50-60Hz C23457
14*	Safety Thermostat	C23114

Ref. 1* - Pump Assy

Voltage	Code
T11	C23377
T12	C23377
T13	C23663

Ref. 2* - Fan motor

Voltage	Code
T11	23067
T12	23681
T13	23621

Rev. 13 - 07/03/2018

Ref. 5* - 2 Ways- Water inlet

Voltage	Cube 18g/13g	Cube 33g	Cube 42g
T11	23010	23010	23781
T12	23010	23781	23781
T13	23261	23261	23758

Ref. 6* - 1 Way - Water Inlet

Voltage	Cube 18g/13g	Cube 33g	Cube 42g
T11	23001	23001	23220
T12	23001	23220	23220
T13	23410	23260	23281

Ref. 8* - Cond. Pressure

Voltage	Code
T11	23175
T12	23175
T13	23175

Ref. 11* - Timer

Voltage	18g Cube	33g Cube	13g Cube	42g Cube
T11	23222	23248	23247	23780
T12	231078	231080	231077	231080
T13	23833	23259	23258	23786