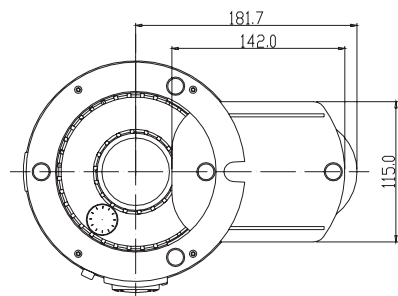
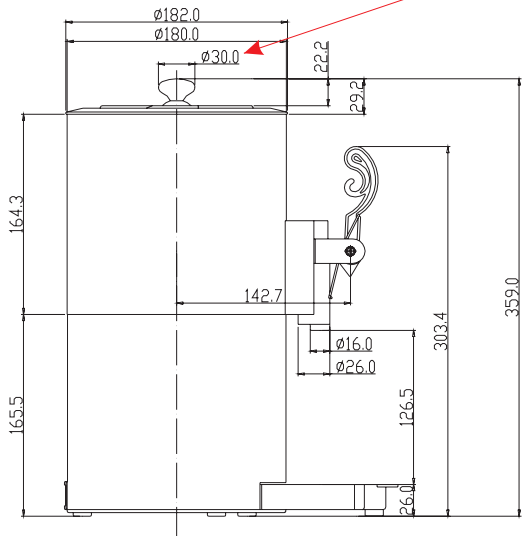
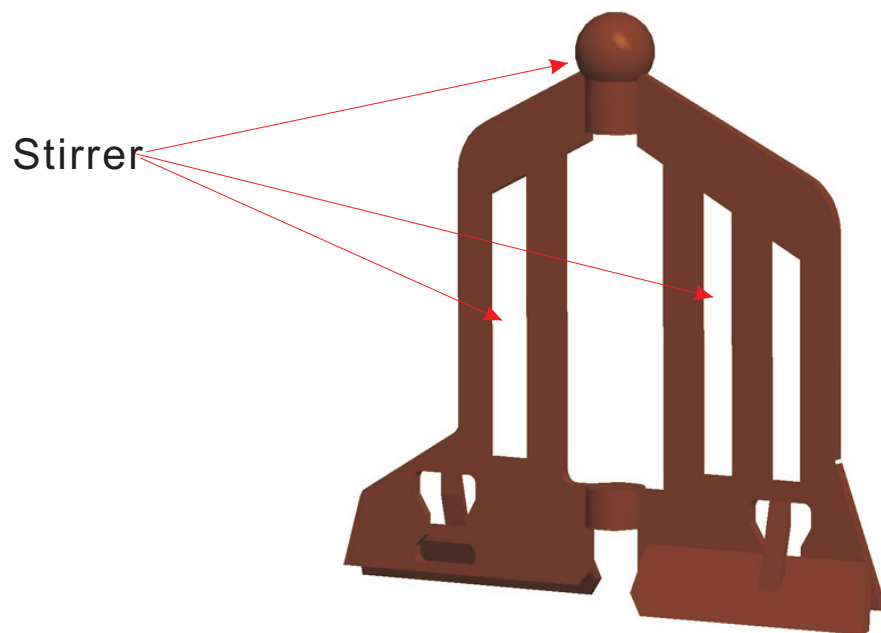
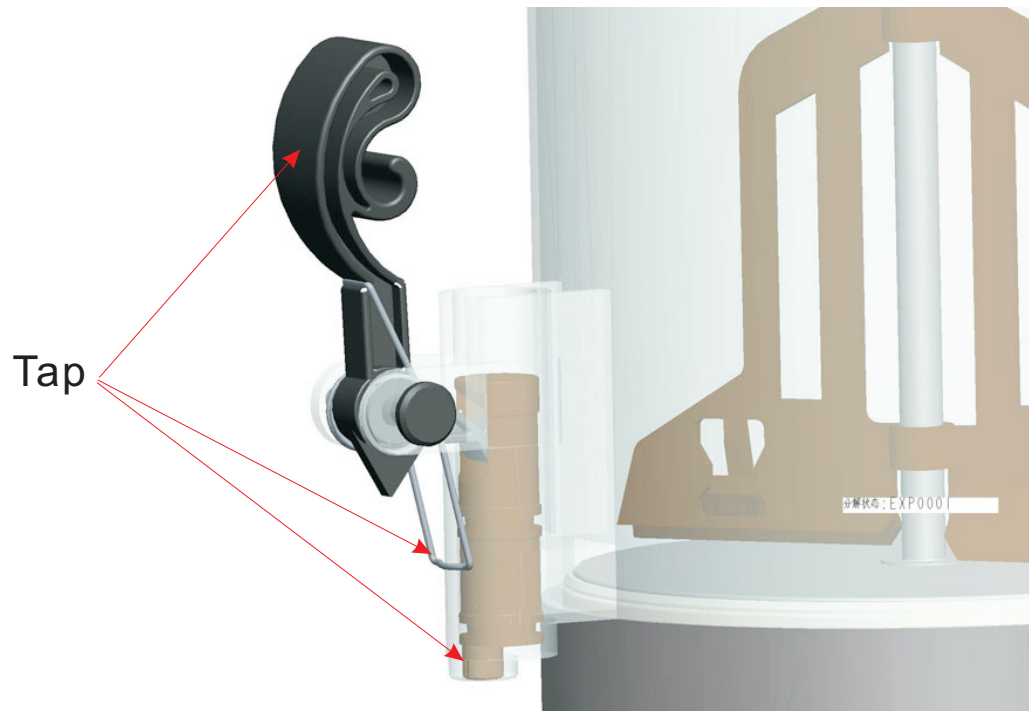


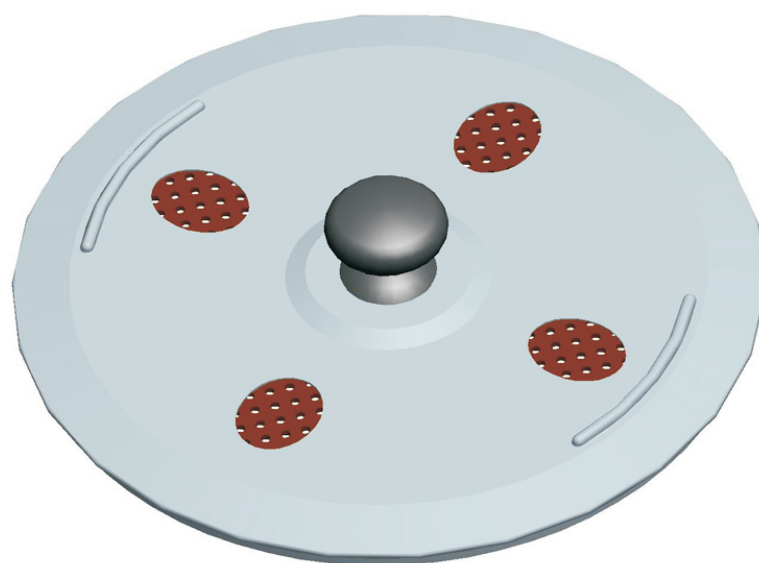
Lid Handle



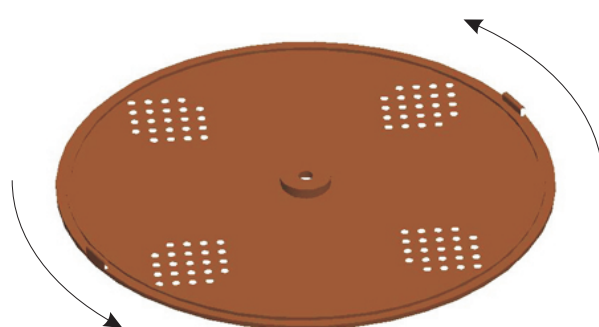
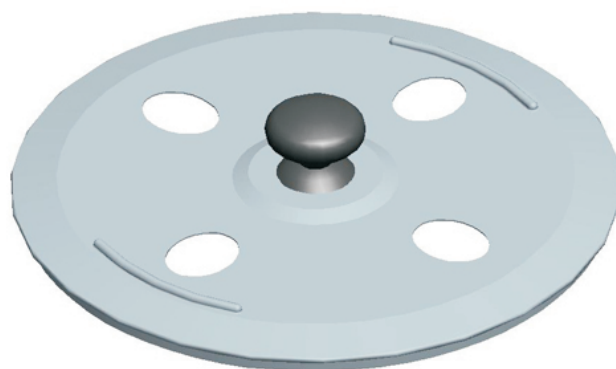




Lid Ventillation Holes

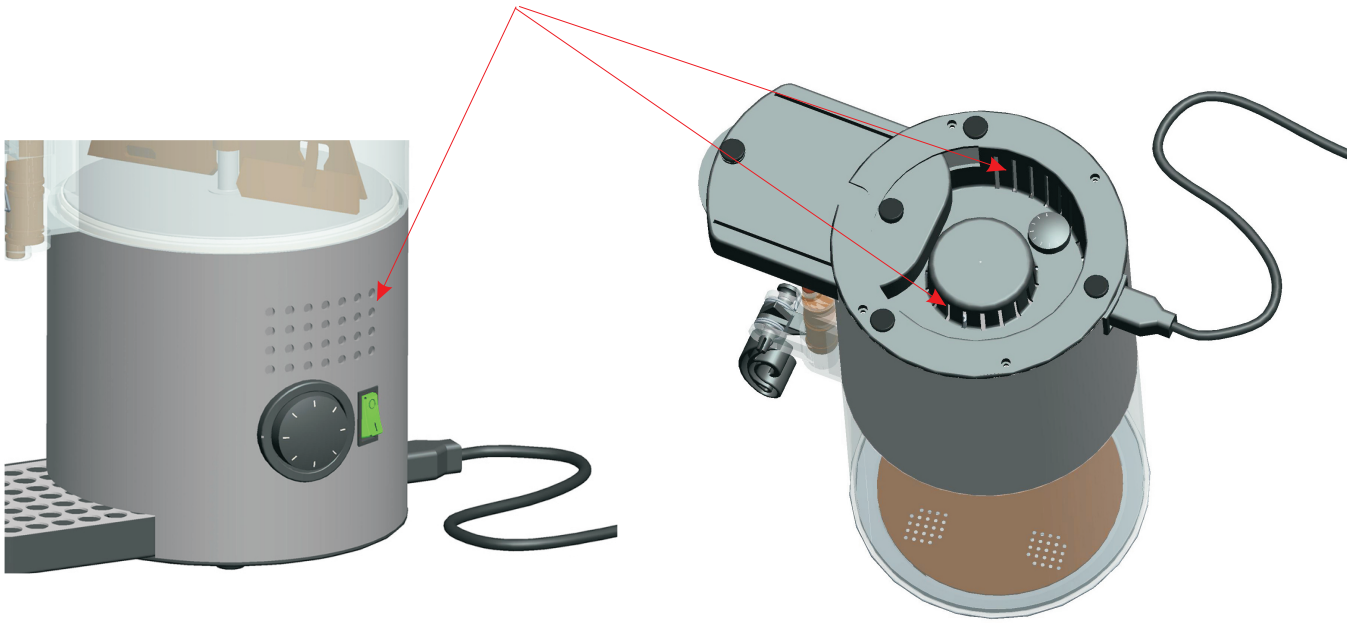


Open



Rotate 45° Close

Side Vents For Cooling Motor



Power Cable



Spare parts:

- n°1 Bayonet fitting on drive shaft
- n°3 M4Clip
- n°4 Thermostat bulb holder
- n°5 Spring for bulb holder
- n°6 Heating plate
- n°7 Limit switch
- n°8 Complete gear motor
- n°12 Switch
- n°13 5-95°C Switch
- n°14 5-125°C Thermostat
- n°15 Base
- n°16 Rubber leg
- n°17 Drip tray cover
- n°18 Drip tray
- n°? Brow part inside drip tray as limit to get off the drip tray
- n°20 Cover knob
- n°21 Bowl cover
- n°22 Mixer
- n°23 Bowl shaft
- n°24 Bowl shaft o-ring
- n°25 Bowl bottom plate
- n°26 central shaft nut
- n°27 Bowl gasket
- n°28 faucet Piston
- n°29 faucet piston o-ring
- n° 30 faucet handle
- n°31 faucet spring
- n°32 Faucet handle pin
- n°33 Bowl
- n°34 Bowl o-ring
- n°36 Gear motor flange
- n°38 Central shaft
- n°40 Thermostat Knob 5-95°C
- n°41 Thermostat knob 5-125°C