

**INSTRUCTION MANUAL  
MANUAL DE INSTRUCCIONES  
MANUEL D'UTILISATION  
BEDIENUNGSANLEITUNG  
MANUALE DI ISTRUZIONI  
MANUAL DE INSTRUÇÕES  
РУКОВОДСТВО ПОЛЬЗОВАТЕЛЯ**

**FLATWORK IRONERS**

**CALANDRAS**

**SÉCHEUSES-REPASSEUSES**

**STANDWÄSCHEMANGELN**

**CALANDRE COMPATTE**

**CALANDRAS**

**Плоские утюги**

**PS-20/140 M**

**PS-20/160 M**

**PS-20/200 M**

**12314877**

**01/09/2022**

## INTRODUCTION

Dear customer,

Thank you for the confidence you have placed in our product. We hope it meets your needs.

The guarantee does not cover damage to glass components, or consumables (seals, bulbs, etc.) nor damage to insulation material or damage due to the incorrect installation of the appliance, or to inappropriate use, inadequate maintenance or poor repair processes.

This appliance is subject to changes and modifications for its technical progress.

## INTRODUCCIÓN

Estimado cliente:

Gracias por haber depositado su confianza en nuestro producto. Deseamos que responda a sus necesidades.

Las condiciones de garantía no cubren daños de componentes de cristal, ni repuestos consumibles (juntas, bombillas, etc.) como tampoco el deterioro del material aislante o daños imputables a una instalación incorrecta del aparato, a su utilización en una aplicación indebida, a un mantenimiento inadecuado o a procesos de reparación deficientes.

Este aparato está sujeto a cambios y modificaciones que apoyen su progreso técnico.

## INTRODUCTION

Cher client,

Merci d'avoir fait confiance à notre produit. Nous espérons qu'il répondra à vos besoins.

Les conditions de garantie ne couvrent pas les dégâts de composants en verre, ni le remplacement de consommables (joints, ampoules, etc.), de même que les détériorations sur le matériau isolant ou les dégâts imputables à une installation incorrecte de l'appareil, à son utilisation incorrecte, à un entretien inadapté ou à des réparations erronées.

Cet appareil est soumis à des modifications visant son amélioration technique.

## **EINLEITUNG**

Sehr geehrter Kunde,

vielen Dank für das in unser Produkt gesetzte Vertrauen. Wir hoffen, dass dieses Ihren Vorstellungen voll und ganz gerecht wird.

Die Garantiebestimmungen decken keine Schäden an Bauteilen aus Glas oder an Verschleißteilen (Dichtungen, Glühbirnen, usw.) oder Beschädigungen des Isoliermaterials, sowie auf eine nicht ordnungsgemäße Installation des Gerätes, unsachgemäßen Gebrauch oder mangelhafte Reparaturen zurückzuführende Schäden.

Das Gerät unterliegt Änderungen und Modifizierungen im Sinne des technischen Fortschritts.

## **INTRODUZIONE**

Gentile Cliente,

La ringraziamo per aver scelto il nostro prodotto. Ci auguriamo che risponda alle sue esigenze.

Le condizioni di garanzia non coprono i danni ai componenti di vetro, i ricambi consumabili (guarnizioni, lampadine, ecc.) così come l'usura del materiale isolante o i danni provocati da un montaggio scorretto dell'apparecchio, dall'uso in un'applicazione erronea, dalla manutenzione inadeguata o da procedure di riparazione insufficienti.

Il presente apparecchio, è soggetto a cambi e modifiche che permettono il progresso tecnico.

## **INTRODUÇÃO**

Caro cliente:

Obrigado por ter depositado a sua confiança no nosso produto. Desejamos que corresponda às suas necessidades.

As condições de garantia não cobrem danos de componentes de vidro, nem consumíveis (juntas, bombas, etc.), tal como não cobrem o desgaste do material isolante nem os danos devidos a uma instalação incorrecta do aparelho, à sua utilização numa aplicação indevida, a uma manutenção inadequada ou a processos de reparação deficientes.

Este aparelho está sujeito a alterações e modificações que suportem o seu progresso técnico.

## **Введение**

Уважаемый Клиент:

Благодарим вас за оказанное доверие нашему оборудованию. Надеемся, что оно удовлетворит все ваши требования.

Условия гарантии не распространяются на стеклянные элементы и расходные запасные части, а также на изолирующие компоненты и на повреждения, вызванные неправильной установкой, обслуживанием или использованием.

Данный аппарат будет подвергаться дальнейшим изменениям и улучшениям для развития модельного ряда.







**INSTRUCTION MANUAL**

**FLATWORK IRONERS**

PS-20/140 M

PS-20/160 M

PS-20/200 M

01/09/2022

**Fabricant / Manufacturer / Fabricante :**

**ONNERA GROUP**

Parc d'activité de Sologne, BP 19 41600 LAMOTTE BEUVRON – France  
Tél. +33 (0)2 54 88 05 76 – Fax +33 (0)2 54 96 89 04

**Type de la machine / Type of the machine / Tipo de la máquina :**

Sécheuses repasseuses, Flatwork ironers, Calandras

**Modèle. Model. Modelo**

PS-20/140 M E, PS-20/160 M E, PS-20/200 M E  
PS-35/140 M G, PS-35/160 M G, PS-35/200 M G,  
PS-35/140 M E, PS-35/160 M E, PS-35/200 M E  
PS-35/200 M PLUS E, PS-35/260 M PLUS E, PS-35/330 M PLUS E  
PS-35/200 M PLUS GR, PS-35/260 M PLUS GR, PS-35/330 M PLUS GR

*Nous déclarons sous notre responsabilité que les machines, dont le type est indiqué ci-dessus, ont été fabriquées en conformité avec les directives U.E. suivantes :*

*We herewith declare under our responsibility that the machines whose type is stated above have been manufactured in conformity with the following E.U. directives:*

*Declaramos bajo nuestra responsabilidad que las máquinas cuyo tipo se indica arriba se ha fabricado conforme a las U.E. directivas siguientes:*

- **Machine Directive 2006/42/EC (include Low voltage directive 2014/35/UE)**
- **Electromagnetic compatibility Directive 2014/30/UE**
- **RoHS II-directive 2011/65/UE**
- **Regulation (EU) 2016/426 “gas appliances” registered under No 029 M**

*Pour lesquelles nous avons suivi les normes / For what have been followed the standards / Para lo cual se han seguido las normas :*

**EN-60204-1:** Sécurité des machines - Equipements électriques des machines – Règles générales / Safety of machinery - Electrical equipment of machines -- General requirements / Seguridad de las máquinas. Equipo eléctrico de las máquinas. Requisitos generales.

**NF EN ISO 10472-1+5 :** Exigences de sécurité pour les machines de blanchisserie industrielle – Prescriptions communes + sécheuses repasseuses / Safety requirements for industrial laundry machinery. Common requirements + Flatwork ironer / Requisitos de seguridad para la maquinaria de lavandería industrial. Requisitos comunes + calandra

**EN-61000-6-2 + EN-61000-6-4 :** Compatibilité électromagnétique (CEM) - Immunité + Emission / Electromagnetic compatibility (EMC) - Immunity + Emission / Compatibilidad electromagnética (CEM). Inmunidad + Emisión

Le 06/09/2022,

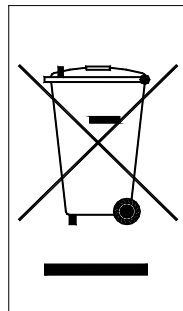
Approbateur Technique, Technical aprobator, Aprodor tecnico :

**ONNERA GROUP**  
Parc d'activités de Sologne  
3 rue Léonard de Vinci  
41600 Lamotte Beuvron France  
Tél. 0033 2 54 88 05 76  
SIRET 342 222 759 00058

Technical documents contain confidential information. Please remember that it is prohibited to disclose and copy these documents and that we will initiate proceedings against the authors of such copies.

### **Processing electric and electronic appliances at the end of their service life**

When this symbol features on the product or its packaging, it indicates that the product should not be processed with household refuse. It should be left at a suitable electric and electronic waste recycling point.



## **TRANSLATION OF THE ORIGINAL MANUAL** **PS-20/ M E DRYER IRONER**

### **CAUTION**



Risk of fingers being crushed



Electric risk



Burn risk

**1 GENERAL PRINCIPLE**

1.1	Introduction.....	3
1.2	Operating principle.....	4
1.3	Safety .....	5
1.3.1	Finger guard safety.....	5
1.3.2	Handle safety.....	5
1.3.3	Heater-related safety .....	5
1.4	Heating.....	6
1.5	Options.....	6

**2 TECHNICAL INSTALLATION INSTRUCTIONS**

2.1	Identification plate.....	7
2.2	Installation.....	7
2.2.1	Handling and packaging .....	7
2.2.2	Premise specifications .....	8
2.2.3	Installation .....	8
2.2.4	Levelling .....	9
2.2.5	Electricity connection.....	10
2.2.6	Vapour evacuation connection .....	11
2.2.7	First start up.....	12

**3 USER MANUAL**

3.1	Recommendations for use.....	13
3.2	Description of the control panel.....	13
3.3	Running a cycle.....	14
3.4	Maintenance menu.....	15
3.5	Statistics menu.....	16

**4 TECHNICAL MANUAL**

4.1	Handle use (in case of a power failure).....	17
4.2	Replacing the band guides.....	18
4.3	Extended shutdown and waxing (excluding chrome plating option).....	18
4.4	Checking and cleaning the feelers.....	19

**5 ANOMALIES AND ALARMS**

5.1	Miscellaneous anomalies.....	20
5.2	Alarm list.....	21

**6 PREVENTIVEMAINTENANCE ..... 22**

**7 LAYOUT DRAWING**

7.1	Layout drawing .....	24
-----	----------------------	----



# 1. GENERAL PRINCIPLE

## 1.1. Introduction

Thank you for your trust in purchasing this product. We hope it will meet your needs.

The warranty does not cover glass components or consumables (gaskets, light bulbs, textile, etc.), nor damage to insulating materials or damage resulting from the incorrect installation or inappropriate use of the appliance, insufficient maintenance or poor general condition.

This appliance is subject to alterations and modifications depending on its technical advancement.

**Warning:** To reduce the risk of electric shocks or injury during the use of your appliance, take basic precautions, amongst which:

- 1- **READ** all the instructions before using the appliance and **KEEP THEM** in an easy to access location to refer to when in doubt.
- 2- This appliance must be installed by an official or approved Technical support service. Incorrect installation, improper adjustments, insufficient servicing or care as well as the improper handling of the appliance may cause material damage as well as injuries. Please read the instructions in this manual carefully before commissioning the appliance. It contains important information about installation.
- 3- Incorrect installation, servicing, maintenance and/or cleaning, as well as the incorrect alteration of the appliance may result in damage to it and injuries to users.
- 4- Failure to follow the indicated instructions will void the warranty.
- 5- If the appliance breaks down or malfunctions, disconnect it.
- 6- **DO NOT DRY/IRON** laundry that has previously been treated, washed, soaked or stained using petrol, dry-cleaning solvents or other flammable or explosive substances that may ignite or explode.
- 7- **DO NOT ADD** petrol, dry-cleaning solvents or other flammable substances to the washing water. These substances release vapours that may ignite or explode.
- 8- **DO NOT ALLOW** children to play in or on the appliance. Watch over children carefully when they are near a running machine.
- 9- The appliance is not for use by persons (including children) who have reduced physical, sensory or mental capacities or who lack experience and knowledge, unless the person in charge of its use supervises them or gives them instructions on its use.
- 10- **Do not install or store** the appliance in a location exposed to the elements.
- 11- **Do not force** the controls.
- 12- **Do not repair or replace any parts** of the appliance and do not attempt any maintenance operations unless indicated in the instruction manual. In all cases, make sure you fully understand the instructions and that you have the required capacities to carry out the operation.
- 13- Do not remove any safety devices and do not alter any part of the washing machine. **DO NOT INSTALL** foreign elements inside the machine.
- 14- Failure to follow the indications in the user manuals may result in injury. It is not possible to mention all possible cases and situations in the hazard warnings. **Common sense**, precaution and care are therefore factors to be taken into consideration by the person or persons who transport, install, use or maintain the machine.
- 15- **DO NOT** use the machine if all the covers and protections are not correctly in place and fixed.
- 16- It is **MANDATORY** for the distributor (vendor) to properly train users when commissioning.
- 17- Clean the infeed and outfeed trays daily.
- 18- If necessary, this documentation can be requested in digital format from the following address:  
[info.laundry@fagorprofessional.com](mailto:info.laundry@fagorprofessional.com) / [info@fagorprofessional.com](mailto:info@fagorprofessional.com)

## 1.2. Operating principle

This type of machine is designed to only dry and iron flat laundry items such as sheets or tablecloths.

By laying the laundry flat on the infeed table at the front of the machine, the laundry is automatically fed to the drying cylinder by the infeed belts.

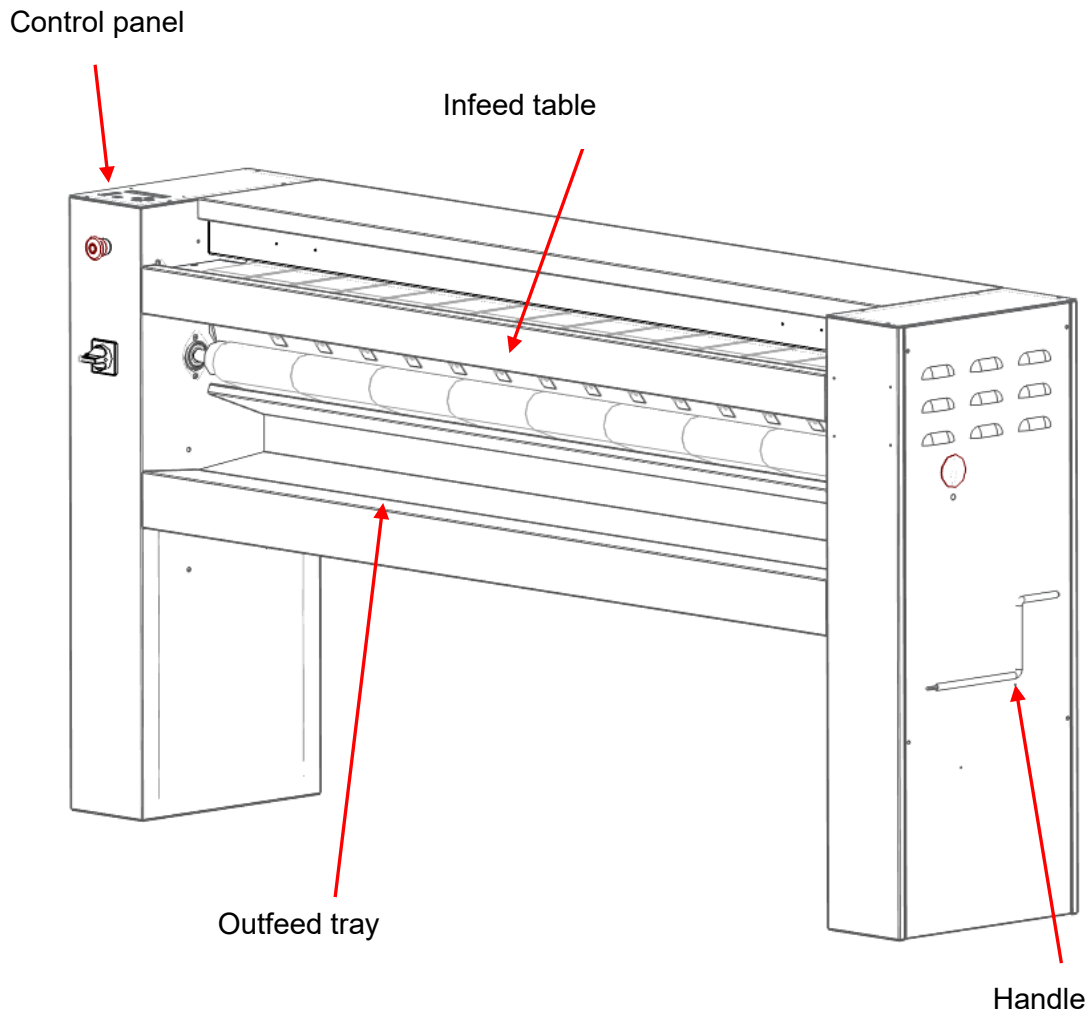
Then, the passage of the laundry under the pressure roller surrounded by the fleece provides a first pressing operation using constant and self-regulating pressure depending on the thickness of the laundry using a compensating spring system.

Drying-ironing is carried out using "Nomex" quality bands and a heated cylinder.

Once dry and ironed, the laundry is automatically directed to the outfeed tray by metal spring slats with teflon, these slats are extended by teflon pads to prevent any marks on the bands.

The laundry exits, dry, ironed and perfectly pressed for faultless holding and presentation.

The machine is controlled using a control panel to manage the speed and temperature and various parameters.



Machine Type	PS-20/140 M	PS-20/160 M	PS-20/200 M
Theoretical production (kg/h)	10-12	13-15	19-21
Cylinder Ø (mm)	200	200	200
Working width (mm)	1400	1600	2000
Working speed (m/min)	1.5-6	1.5-6	1.5-6
Loading height in mm	990	990	990
Sound level (dB)	63	63	63
Evaporation capacity (l/h)	8-10	10-12	12-14

### 1.3. **Safety**

In addition to the emergency stop located near the control panel, the dryer-ironer is fitted with other safety devices described below:

#### 1.3.1. **Finger protection safety**

Operator safety is provided by a plate (safety plate) located just after the infeed table, thus preventing operators' hands from advancing too far, thereby preventing burns or crushed fingers.

A slight contact on this safety plate causes the machine to stop immediately and an alarm is displayed on the control panel. This safety plate can be considered to be the machine's main emergency stop (can be used over the whole length).

The space between the infeed table and the safety plate is 8mm. This distance must not be altered.

#### 1.3.2. **Handle safety**

When using the handle (see section 4.1), the red plate on the right side must be removed to insert the handle and manually rotate the cylinder (in the event of a power failure and when the machine is at high temperature). For safety reasons, this action immediately stops the machine and displays an alarm on the control panel.

#### 1.3.3. **Heating-related safety**

The machine is fitted with a safety thermostat placed on the cylinder (in one of the two feelers) of which the manual reset is located inside the left frame and which is triggered if the cylinder temperature exceeds 205°C. The triggering of the thermostat causes a visible alarm to be displayed on the control panel. **DO NOT RESET THE THERMOSTAT** if the temperature is above 150°C on the display, wait for the cylinder to cool.

Two temperature sensors are also installed in the feelers, one for regulation and one for safety, which also display an alarm if one of the two sensors measures a temperature in excess of 205°C.

### 1.4. **Heating**

**Electric heating:** provided by shielded heating elements (variable number of elements depending on the machine type) placed inside the cylinder.

Machine Type	PS-20/140 M	PS-20/160 M	PS-20/200 M
Number of heating elements	3	3	3
Heating element power (KW)	3.5	4	5
<b>TOTAL power (KW)</b>	10.5	12	15

### 1.5. Options

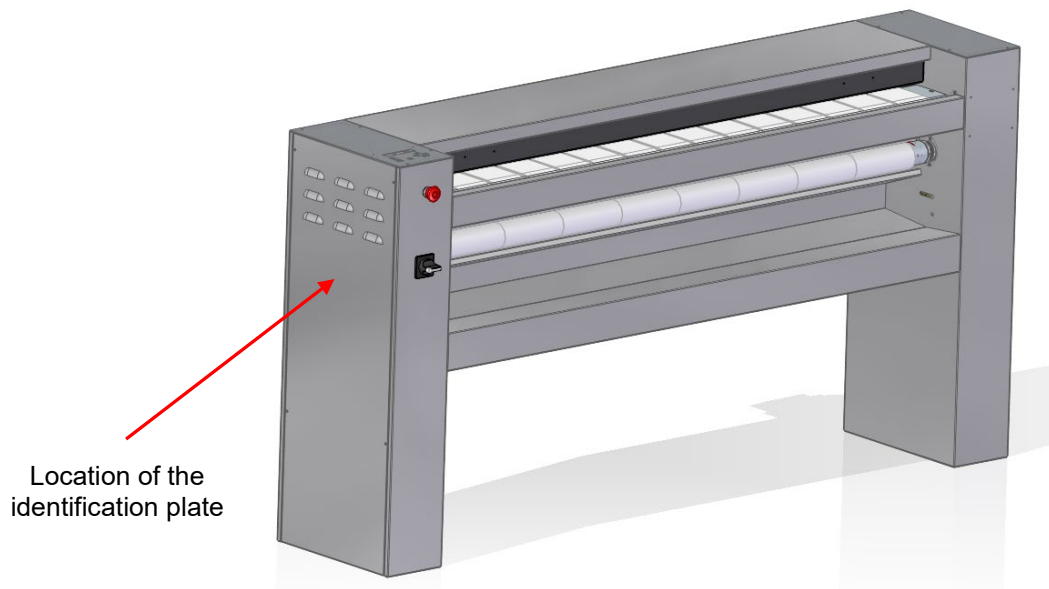
- **Voltage:** As standard, the supply voltage is 400V 3P + G + N 50HZ, optionally, the following voltages are available:
  - 230V 3P + G 50 HZ
  - 230V 3P + G 60 HZ
  - 440V 3P + G 50 HZ (marine voltage)
  - 440V 3P + G 60 HZ (marine voltage)

## 2. TECHNICAL INSTALLATION INSTRUCTIONS

### 2.1. Identification plate

The identification plate on this appliance is located on the left panel. It indicates:

- The machine type and serial number
- Electric specifications (Voltage, power, protection)
- Total power



### 2.2. Installation



**Caution**: the machine must be installed, adjusted and commissioned by a team of technicians from the manufacturer or by technicians or dealers who are approved by the company.

Similarly, the presence of the customer is strongly recommended, in particular during the installation and the first tests.

The machine must be installed in compliance with applicable regulations and standards in premises that are sufficiently ventilated, clean and tidy before, during and after the installation. Any waste must be removed in suitable containers.

#### 2.2.1. Handling and packaging

On delivery, the machine must be in perfect condition. The packaging must not be incomplete or damaged. Follow the indications on the packing (for example, fragile, top and bottom, sensitive to rain, etc.). As the machine is quite heavy and large (see table below) plan on using suitable lifting and handling equipment in order to work safely.

The machine must be handled using a fork lift of sufficient capacity, the forks must be spaced as far apart as possible to prevent tipping.

As the machine is relatively long, it will very often have to be unloaded from the side of a trailer truck with a side opening (curtain).

It is essential to take the machine at its centre (centre of gravity in the axis).



Do not tip or drop the machine when unloading for example.

**Note:** if slinging is used (not planned and **strongly discouraged**) handling will be the sole liability of the handler (**risk of warping the machine**).

	DIMENSIONS in mm		WEIGHT (KG)		Volume (m3) Pack.
	(Width x Depth x Height)		without packaging	with packaging	
	all included	with packaging			
<b>PS-20/140 M</b>	1878x666x1110	2130x770x1400	180	220	2.3
<b>PS-20/160 M</b>	2128x666x1110	2340x770x1400	203	240	2.52
<b>PS-20/200 M</b>	2478x666x1110	2780x770x1400	237	275	3

### 2.2.2. Premise characteristics

- The machine must be installed in very well ventilated premises with correct lighting and a temperature of between + 10°C and + 40°C (limit temperature for the drive motor variable frequency drive).
- To achieve best machine performances, make sure that fresh air enters from outside the room, as close to the machine as possible.

The fresh air inlet cross-section must be at least 4 times the outlet pipe cross-section. Depending on the model, there may be two outlet evacuation pipes.

**Note:** the fresh air inlet cross section is the cross section through which the air can move without resistance due to the grate installed on the inlet. The fact that the grate bars occupy a large part of the grid cross section should be taken into account.

Sufficient space must be left around the machine to allow proper operation:

- 10 cm minimum at the back.
- 60 to 80 cm on each side for servicing and maintenance.
- Sufficient space must be left at the front for operators to be able to work properly and safely.

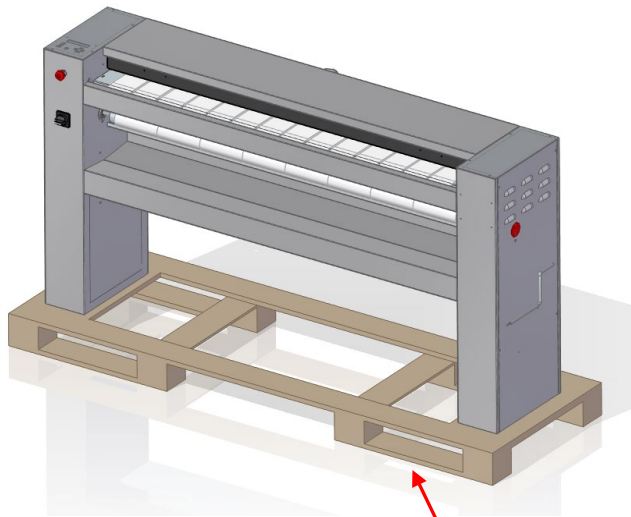
Minimum floor strength is required to install this type of machine (see table below).

Machine Type	PS-20/140 M	PS-20/160 M	PS-20/200 M
Weight (KG)	180	203	237
Floor surface area (m <sup>2</sup> )	1.25	1.4	1.65
Static stress (daN/m <sup>2</sup> )	692	780	911

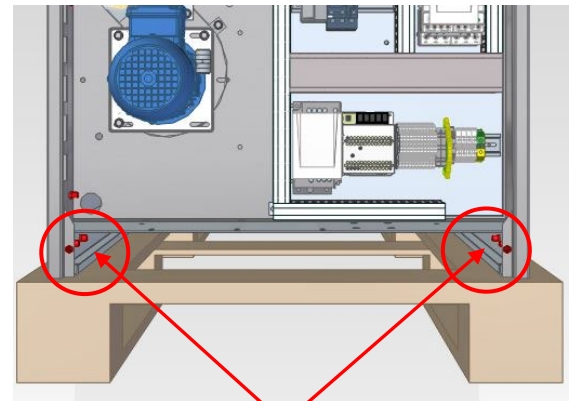
### 2.2.3. Installation

Before removing the transport elements (pallet and beams), bring the machine as close as possible to its final installation.

The drier-ironer is delivered on a pallet which is fixed to the 4 corners of the machine by 4 screws. To access and remove the screws, the side panels must be removed.



Pallet



Screw position (seen from the left side)

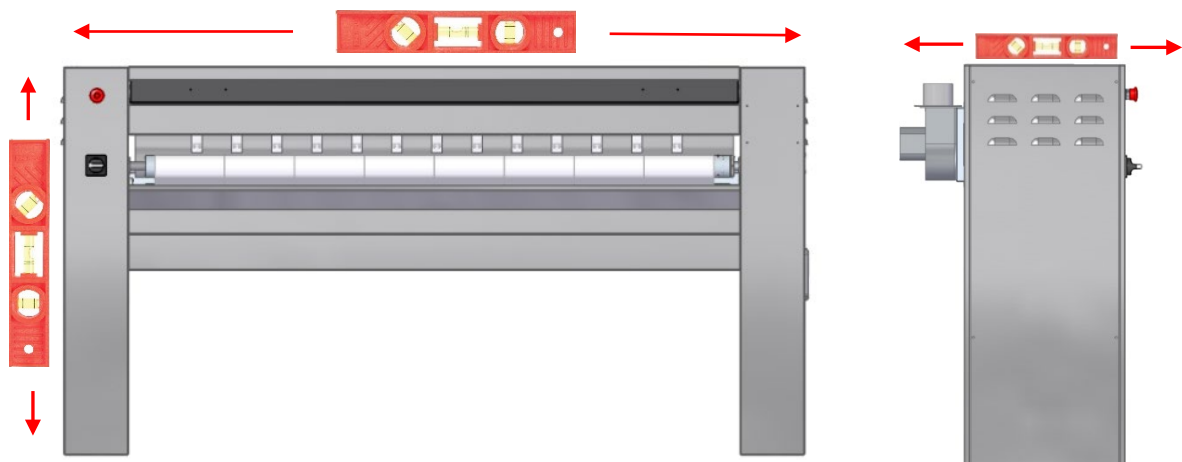
After having removed the 4 screws, remove the pallet and place the machine directly on the ground.

### 2.2.4 Levelling



**The perfect horizontal and vertical levelling of the machine is imperative for proper operation.**

If necessary, add blocks under the machine.



If the machine is not level, it will cause the ironing bands to move to the side (left or right), thereby significantly increasing their wear

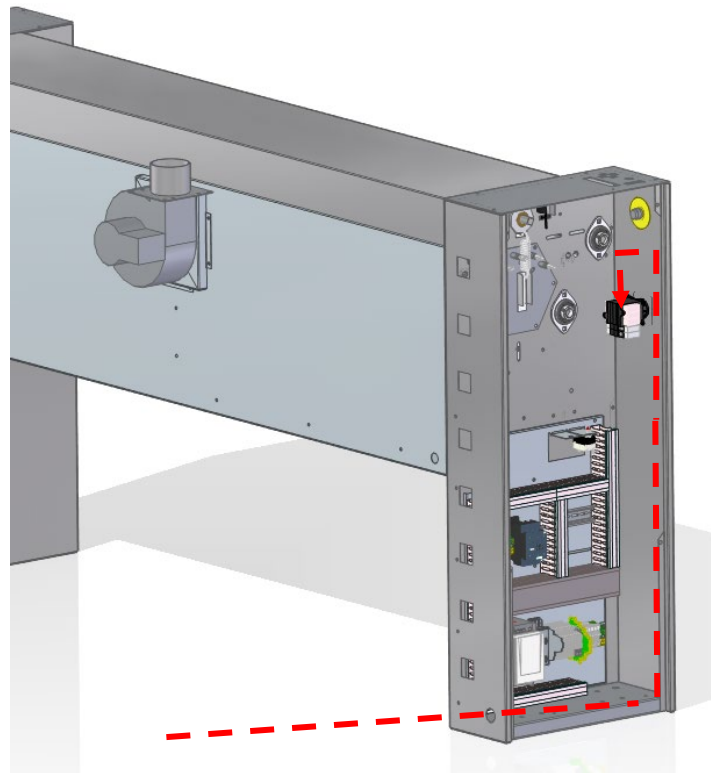
## 2.2.5 Connection to the electricity supply

The electricity supply cable is not included.

The machine must be connected to the electricity supply using an electric cable that has the specifications defined in the tables below and protected by a **300 mA or 30 mA SI (super immunised) ground fault circuit breaker**. The electric cable must not be connected to a plug and at least 50 cm of slack must be left in the machine to connect the cable directly to the cut-off switch in the machine. There should be a maximum distance of 3 metres between the connection to the cut-off switch and the protective device (circuit breaker).

The electric installation must comply with applicable standards. Make sure the supply voltage matches the technical data on the identification plate located behind the machine (see section 2.1).

**It is essential that the earth be properly connected to guarantee user safety and proper operation.**



The power cable must be connected to the cut-off switch in the left frame. The power supply cable must pass through the back of the machine through one of the holes in the frame as shown above.

<b>Electric specifications</b>				
		<b>PS-20/140 M</b>	<b>PS-20/160 M</b>	<b>PS-20/200 M</b>
Motor power (KW)		0.37	0.37	0.37
Heating power (KW)		10.5	12	18
Total power (KW)		10.87	12.37	18.37
Supply voltage				
Protection (A)	400V 3P + N + E	20	20	32
	230V 3P + E	32	40	50
Cable size (mm <sup>2</sup> )	400V 3P + N + E	5G4mm <sup>2</sup>	5G4mm <sup>2</sup>	5G6mm <sup>2</sup>
	230V 3P + E	4G6mm <sup>2</sup>	4G10mm <sup>2</sup>	4G10mm <sup>2</sup>

### 2.2.6 Vapour evacuation connection

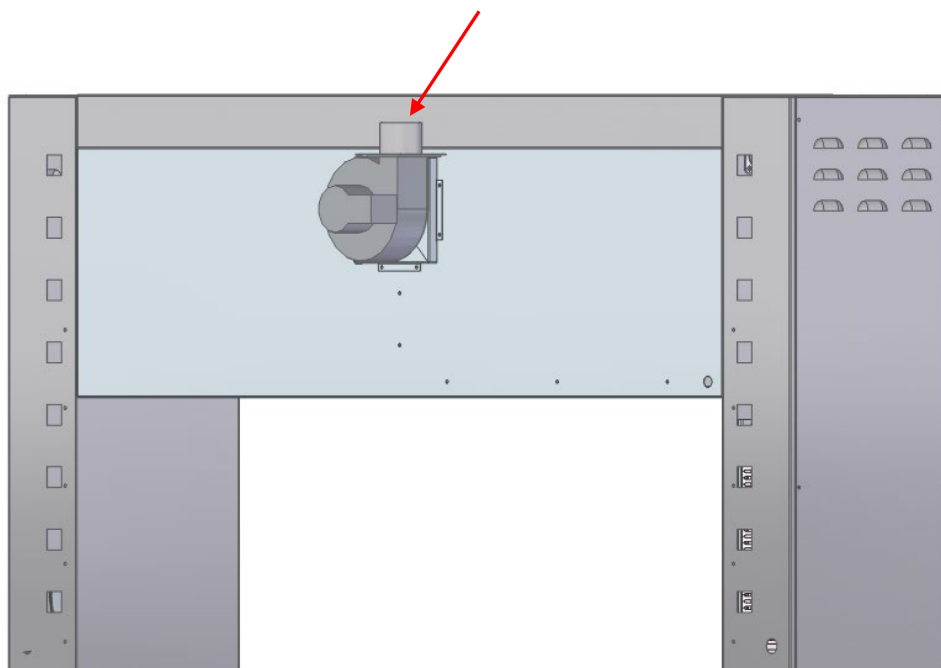
The vapour extraction connection to the outside is **mandatory** (the duct is not supplied). Evacuated air must be ducted outside the workplace and must never be connected to other chimneys which are already used to extract smoke from other equipment.

The location of these ducts must be within the limits defined by environmental thermal legislation. The pipe used must be rigid and metallic and should withstand temperature (150°C) and must never pass too close to flammable materials or materials likely to be warped or buckled by excess temperature.

The inside of the pipe must be smooth so as not to disturb the air trajectory or contain elements on which lint can accumulate (screws, rivets, etc...).

Inspection hatches in the ducts are recommended to facilitate regular duct cleaning.

Connection size **Ø83 mm**  
(on the top)



The outlet duct must be as short as possible. It should not **exceed 5 metres**, have more than **2 90° bends** and should have a 2% outward slope in horizontal sections to prevent condensate from flowing back to the machine, and it must be fitted with a **check valve**.

- If the evacuation duct must exceed 5 metres and 2 bends, it is advisable to increase the evacuation duct diameter or to add an extraction motor in the duct.

The extraction motor sizing must be calculated by a company specialised in air handling using the following indications:

- Fan motor power:	0.09 KW
- Extraction rate:	300 m <sup>3</sup> /h
- Head loss at fan outlet:	30 Pa

### **2.2.7 Commissioning**

After making sure that the machine is installed according to the recommendations in this manual (levelling, electricity connection), start up the dryer ironer:

- Turn the cut-off switch at the back of the machine on the left side to position 1.
- Check that the emergency stop button has not been triggered
- Press START to remove the wax paper wrapped around the cylinder.
- Make sure that the feelers are in the correct positions before and just after the 1<sup>st</sup> start of the machine as they could be mispositioned due to the paraffin wax applied in the factory to protect the cylinder from corrosion (see section 4.4).
- Check that the machine is working properly (in the event of any anomaly, refer to section 5).
- Train the operating personnel in the use of the machine as described in section 3.



### 3 USER MANUAL

#### 3.1 Recommendations for use

The dryer-ironer has a control panel that, among other things, is used to adjust the cylinder temperature and speed, which must be adapted to the type of laundry to be dried and ironed.

These two parameters (temperature and speed) must be adapted by the user to the type of flat laundry to be dried and ironed. If the laundry is still damp, the temperature should be increased and/or the speed reduced. Conversely, reduce the temperature and/or speed if the laundry comes out very stiff or slightly yellowed (signs of overheating).

The laundry must have a relative moisture content of **25% to 50%**.

The maximum temperature setting is 180°C.

Engage the item of laundry in the machine by placing it on the infeed table (correct insertion of laundry, which should be flat and properly stretched out will result in better quality ironing).

For large laundry items, two people should work together in front of the machine. Each person must hold one end of the item and they must engage it together at the same time

The loading height and the infeed table pitch provide perfect ergonomics, thereby eliminating muscular-skeletal disorders related to this work station.

The laundry will be automatically fed to be dried and ironed, it can be collected in the outfeed tray or transported to the front or back outfeed if the machine has the folding machine option.

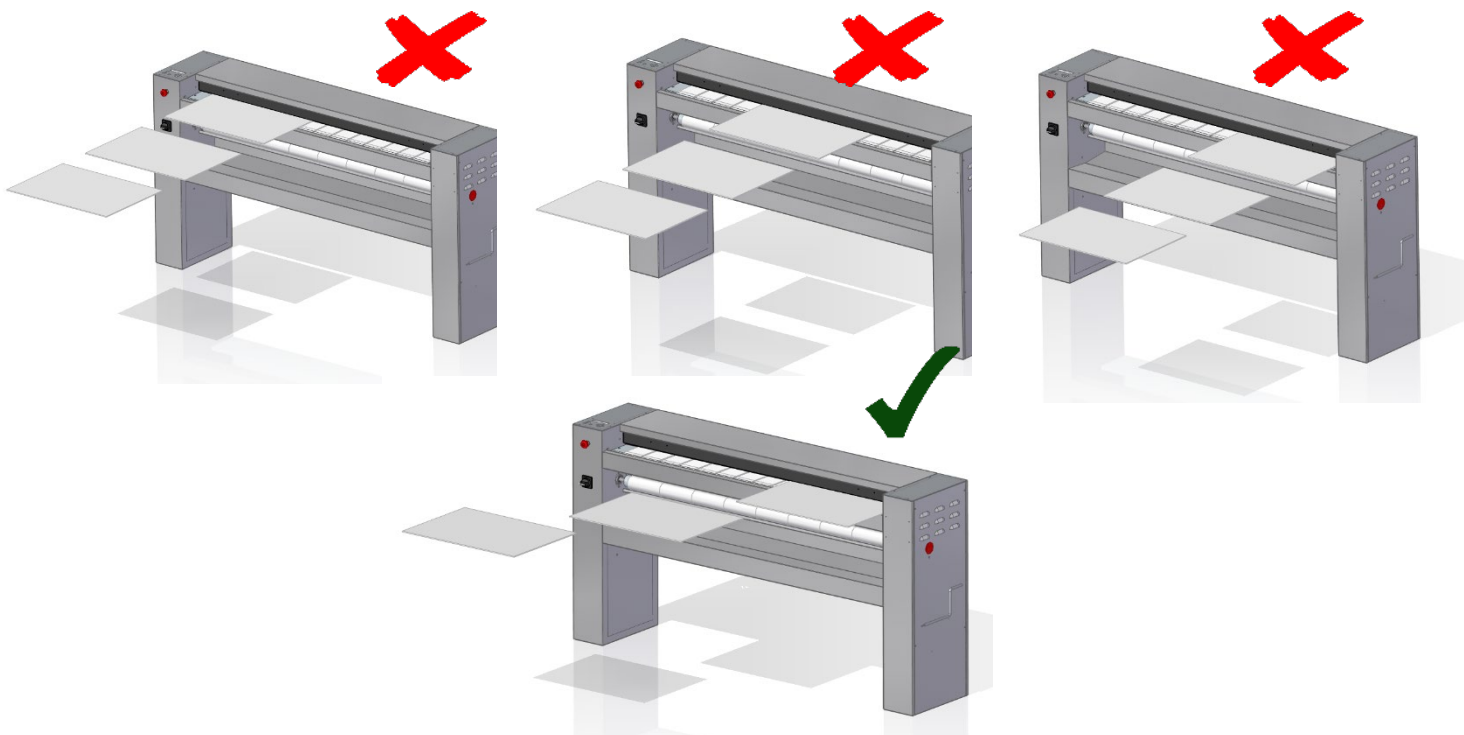
An option (automatic mode) automatically adjusts the cylinder speed depending on the residual moisture content detected in the laundry.

The laundry must be flat (without buttons, fasteners, poppers, buckles, etc.), it must not be folded before being fed into the machine for optimum quality and must not be thicker than 8 mm.

To limit heating inertia as much as possible, it is advisable to start working when the temperature is slightly lower than the set point temperature.

If a production stoppage is longer than 15 minutes, it is advisable to press STOP to switch the machine to the cooling phase and thus limit needless energy consumption. Press START again to resume work and restart machine heating.

When ironing small pieces of flat laundry, it is essential to work successively over the entire ironing length in order to obtain regular work and a better ironing band service life, which would otherwise deteriorate quickly.



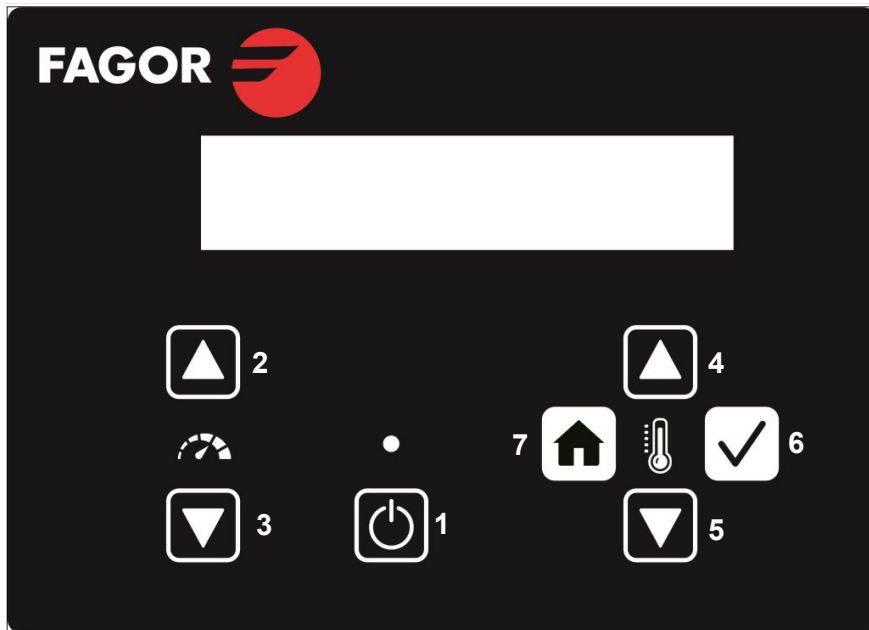


**IMPORTANT:** The machine must not be stopped at high temperature, press the "START- STOP" (1) button to switch to the cooling phase, it will stop automatically when the temperature reaches **80°C**. Do not stop the machine by pressing the emergency stop, which should only be used in case of extreme necessity.

### 3.2 Control panel description

Power on the machine using the main switch located on the back right hand side of the machine (the emergency stop must not be triggered).

At start-up and for a few seconds, the display shows the microprocessor version and then it indicates "PRESS START".



- 1- "START-STOP" button
- 2- Increase ironing speed
- 3- Decrease ironing speed
- 4- Increase temperature
- 5- Lower temperature
- 6- Validation button
- 7- Button to access the maintenance menu (reserved for technical services)

### 3.3 Running a cycle

By pressing the "START-STOP" button directly, the drier-ironer starts at the speed and temperature of the last completed cycle.

Note that at start-up, the machine preheats to 130°C (modifiable parameter) at reduced speed (3m/min) and the speed cannot be modified during this phase.

Furthermore, for electrically heated machines, the fan motors are only activated when half the set point temperature is reached.

During operation, the display shows the actual cylinder temperature and rotation speed (run screen), and these parameters can be changed using the corresponding buttons.

By pressing one of the two speed buttons (2 and 3), the speed changes in steps of 0.5 m/min from 1.5 to 6 m/min.

By pressing one of the two temperature setting buttons (4 and 5), the display will show "TEMPERATURE SET" and the set temperature which can be adjusted from 1°C to 180°C. After adjusting the set temperature, press the validation button (6) to validate the set temperature and return to the run screen.

When the unit is stopped, the run mode can be selected by pressing the temperature control arrows (4 and 5):

- **Manual mode:** the operator sets the ironing speed
- **Automatic mode:** the speed is adapted according to the evolution of the temperature (e.g. depending on the load, the speed decreases if the temperature drops rapidly).

By pressing STOP, the programme switches to the cooling phase (if the cylinder temperature is above 80°C) and the machine will stop automatically when the temperature has reached 80°C.

It is possible to restart at any time during the cooling phase.

If the cylinder temperature is below 80°C, by pressing "START-STOP" (1) the machine stops instantly without a cooling phase.

### 3.4 Maintenance Menu

The maintenance menu is used to adjust certain parameters related to machine operation.

To access the maintenance menu, with the machine stopped, press the maintenance menu access button (7) to display "ENTER CODE - 0000" on the screen. Enter code "1111" using the "temperature increase" buttons (4) to select the 1st digit (between 0 and 9) and the "validation button" (6) to validate and go to the 2<sup>nd</sup> digit and so on.

#### List of parameters:

The values can be modified using buttons 4 and 5 and confirmed by pressing the validation button (6).

- **MAX TEMP:** Maximum set point temperature corresponding to the maximum set point temperature adjustable by the user. Adjustable from 100°C to 180°C (default value = 180°C)
- **PREHEATING:** Preheating temperature adjustable from 20°C to 180°C (default value = 130°C).
- **COOL DOWN TEMP:** Cooling temperature at which the machine automatically stops. Adjustable from 60°C to 105°C (default value = 80°C)
- **PREVENTIVE MAINTENANCE:** It is possible to program a time in hours and when this operating time is reached, a message appears each time the machine is switched on (default value = 0, no message) in order to plan a complete machine maintenance (see section 6).  
The message can be reset in the statistics menu (see section 3.5).

### 3.5 Statistics menu

The statistics menu is used to view some of the machine's statistics and to reset the maintenance counter.

To access the statistics menu, with the machine stopped, press the maintenance menu access button (7) to display "ENTER CODE - 0000" on the screen. Enter code "1234" using the "temperature increase" buttons (4) to select the 1st digit (between 0 and 9) and the "validation button" (6) to validate and go to the 2<sup>nd</sup> digit and so on.

- **TOTAL TIME:** corresponding to the time, in hours, during which the machine has been powered on.
- **RUN TIME:** corresponding to the time, in hours, that the machine has been running.
- **HEAT TIME :** corresponding to the time, in hours, in which the machine has been in the heating phase.
- **PREVENTIVE HOURS:** corresponding to the time, in hours, from the moment preventive maintenance has been programmed in the maintenance menu (see section 3.4).
- **RESET COUNTER M:** Used to reset the "PREVENTIVE HOURS" statistic by selecting "YES" using buttons 4 and 5, validated by pressing 6 and thus remove the preventive maintenance message ("PREV MAINTENANCE") which appears at each start-up when the number of hours defined in the maintenance menu (see section 3.4) is reached.

## 4 TECHNICAL MANUAL

### 4.1 Handle use (in the event of a power failure)



**In the event of a power or equipment failure**(machine stoppage when the cylinder is hot) it is essential to immediately isolate the ironing bands from the cylinder.

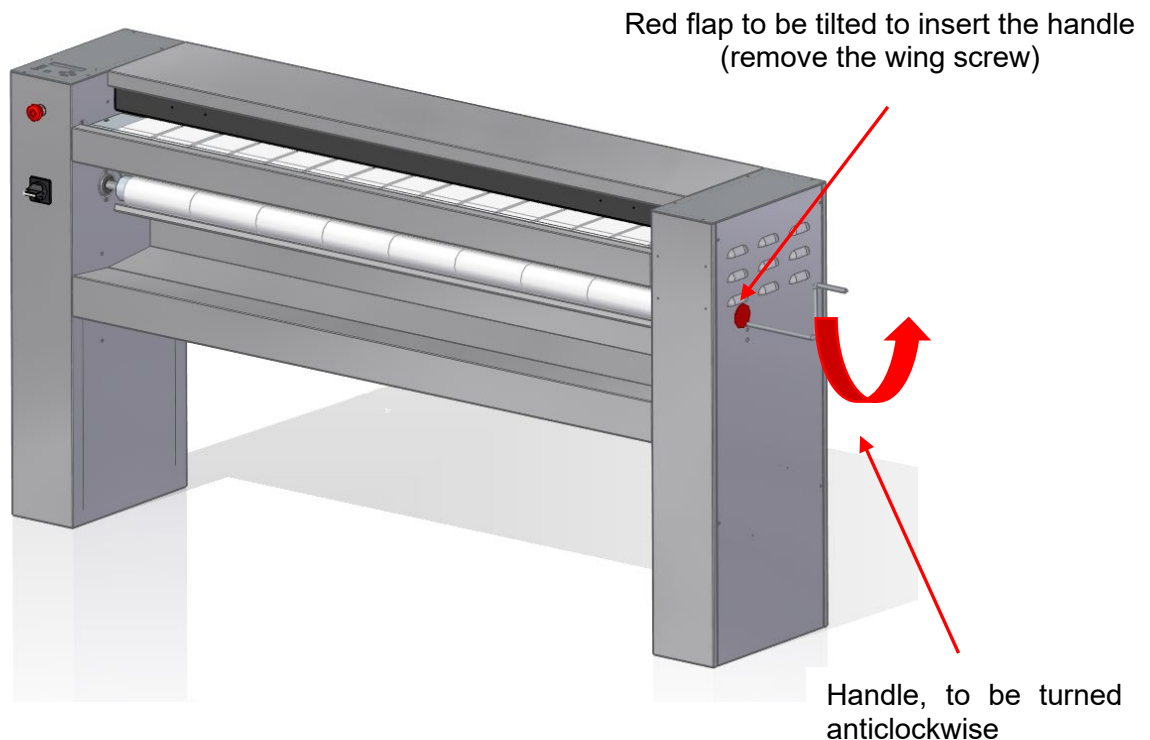
To do this, insert a thick, very damp cloth of the correct size (barely wrung out) into the machine by operating it using the provided handle (the handle must be available at all times, its initial position is on the right-hand machine panel).

Insert the handle in the hole in the right machine panel after having lifted the red flap up (to be able to insert the handle as shown below). When the red flap is lifted, the machine cannot start and an alarm will appear if START- STOP is pressed (Alarm 2).

Turn the handle anticlockwise continuously until the fabric has passed through the machine several times and sufficiently to cool and protect the cylinder and the bands.

At least two people are needed to carry out this operation **in an emergency**, one or two people to infeed the laundry while another turns the handle.

When the handle is removed, the flap swings down to its original position and activates a safety contact that allows the machine to be started.



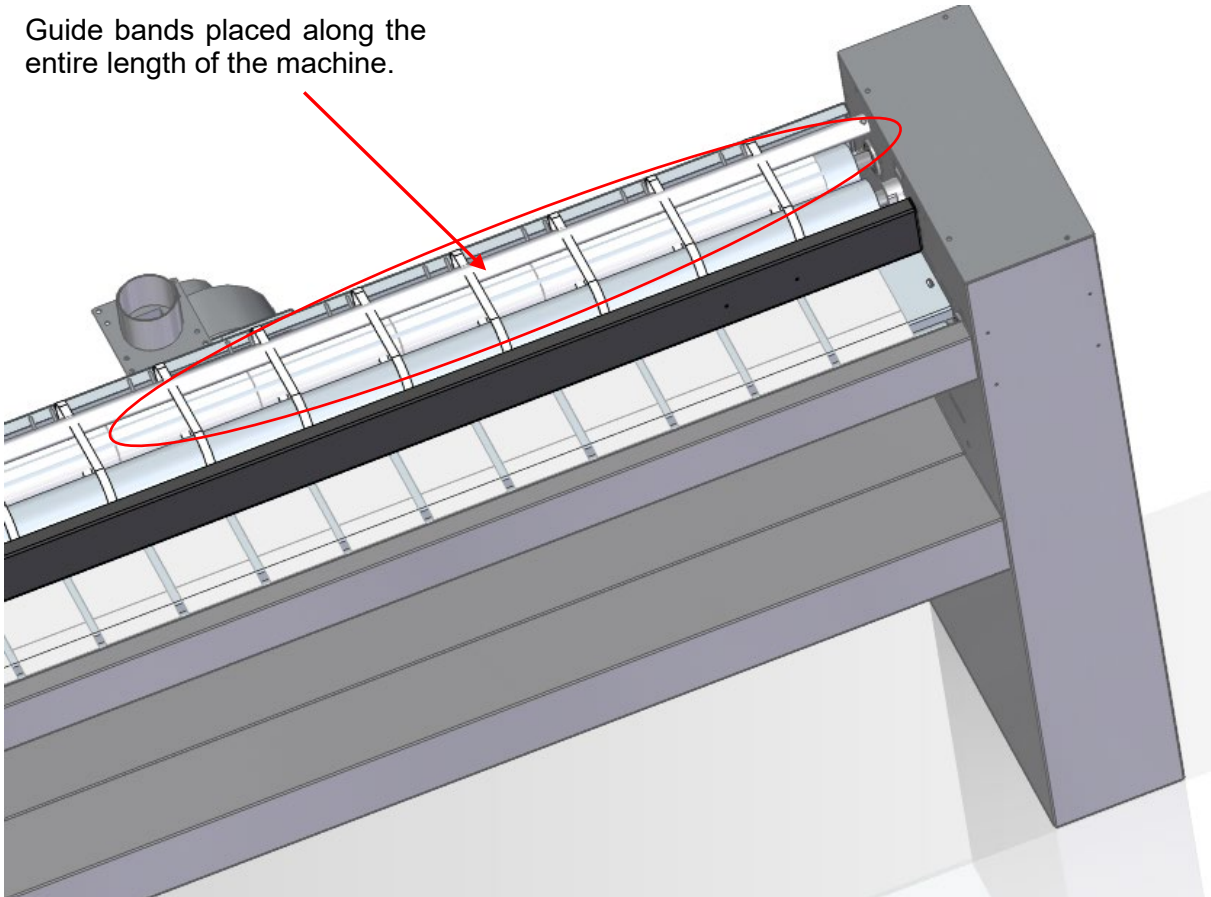


## 4.2 Replacing the guide bands

Guide bands are used to prevent the laundry from wrapping around the pressing roller. Therefore regular checks should be made to make sure that there are no missing guide bands. Their presence is essential.

The guide band reference is 12156329 (supplied per metre).

Guide bands placed along the entire length of the machine.



To access the guide bands, remove the top panel.

The bands should be secured using stainless steel staples and should not be tied using knots (this could mark the laundry). They should not be mounted taut but slightly flexible because with the effect of heat, the band shrinks and may break quickly. It is essential not to stretch them, as this would cause them to break prematurely.

## 4.3 Extended stoppage and paraffin coating

To prevent cylinder corrosion, especially in the case of a prolonged stoppage (over 1 week), the cylinder must be coated in paraffin; to do this, proceed as follows:

- Machine stopped, cylinder slightly hot (between 110°C and 100°C in regulation or cooling phase)
- Raise the top panels.
- Rotate the cylinder at reduced speed.
- Coat the cylinder surface with paraffin wax in successive passes so as to coat the entire cylinder surface area.

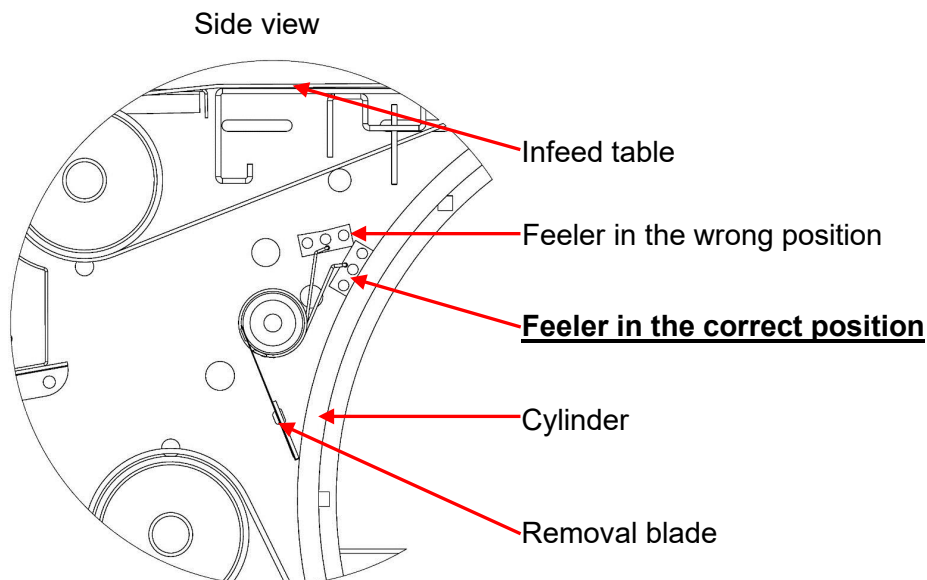
- Then insert a flat item of laundry around the roller for the duration of the extended shutdown.

Paraffin block reference: 12156317

When the machine is restarted after a prolonged stoppage, the paraffin evaporates naturally at high temperature. However, it is preferable to pass a few worn flat cloths through before starting normal production in order to remove all the paraffin.

#### **4.4 Feeler checking and cleaning**

The machine has 2 feelers placed against the cylinder and located under the infeed table, in which the 2 temperature sensors and the safety thermostat that are used to regulate and secure the cylinder temperature are housed. The sensor position must be checked before each start-up (machine cold) and they must be cleaned (lint) regularly (see section 6).



## 5 ANOMALIES AND ALARMS

### 5.1 Miscellaneous anomalies

The machine is fitted with a microprocessor which has alarms of which the details are given below to inform users of various operating, safety or information alarms. However, some anomalies may occur without the screen being able to display an alarm, including, but not limited to, the following list:

ANOMALIES	VERIFICATIONS
The screen is off	Check that the cut-off switch is in the "I" position
	Check that the electric voltage reaches the machine
	Check that the emergency stop has not been triggered
	Check the F1 control fuse
The cylinder rotates slowly	The preheating temperature of 130°C must be reached
The cylinder temperature does not rise	Check the manual reset safety thermostat located in the left frame of the machine. If it is engaged, do not reset it if the cylinder temperature is above 150°C
The cylinder temperature is very high and does not match the temperature displayed on the screen	Check that the feelers are clean and in the correct position
The ironing quality is poor	Check the ironing band tension and/or wear. Replace them if necessary.
	Check the condition of the presser fleece and replace it if necessary
	Check the infeed band tension and/or wear. Replace them if necessary
	The temperature and/or speed are not adapted to the type of laundry
The machine overheats on one side (the bands become darker than on the other side)	Make sure that the laundry is evenly spread over the entire working length of the roller (see section 3.1)
After drying/ironing, at the machine outfeed, the laundry has static electricity and "sticks" to the ironing bands	During the laundry wash cycle, add an antistatic softener to the last rinse and/or reduce the water pH in the last rinse to 5.
The laundry comes out yellowed	The laundry is poorly rinsed (washing product residue) or the cylinder temperature is too high.
The cylinder whitens	The water used to wash the laundry has a high TH (reduce it to below 14)

## 5.2 Alarm List

ALARM	DESCRIPTION	CAUSE/SOLUTION
<b>ALARM 1</b>	Table safety (finger guard)	The safety table (finger guard) has been triggered. If the problem persists, check the safety table electric contacts in the left and right frames.
<b>ALARM 2</b>	Handle safety	The handle safety has been triggered, the red plate is not in the correct position. If the problem persists, check the electric contact in the right frame.
<b>ALARM 6</b>	Variable drive fault	The cylinder motor drive has a fault (visible on the variable drive display). Check the variable drive motor, the variable drive/motor wiring, the variable drive supply voltage, etc.
<b>ALARM 7</b>	Temperature sensor NTC1 (regulation) error	The NTC1 temperature sensor is disconnected or defective.
<b>ALARM 8</b>	Preventive Maintenance	This message appears when the hour counter (defined in the maintenance menu) is reached, notifying that preventive maintenance on the machine is required (see sections 3.4 and 3.5).
<b>ALARM 9</b>	CAN communication error	Communication between the screen board (A13) and the relay board (A10) is interrupted or defective.
<b>ALARM 10</b>	Heating error	The set temperature has not been reached after 90 minutes of operation.
<b>ALARM 12</b>	Overheating (safety thermostat)	The safety thermostat was triggered due to overheating. It is manually reset and is located in the left frame.

If one of the alarms persists contact your dealer's technical department.

## 6 PREVENTIVE MAINTENANCE

All maintenance operations must be carried out by qualified staff.

**BEFORE ALL MAINTENANCE WORK, CUT OFF THE MACHINE POWER SUPPLY AT THE INSTALLATION CIRCUIT BREAKER AND CHECK THAT THERE IS NO VOLTAGE. CAUTION, IF THE WORK IS CARRIED OUT IMMEDIATELY AFTER WORK, THE MACHINE MAY STILL HAVE VERY HOT PARTS, THEREBY CREATING A BURN RISK. DURING MAINTENANCE WORK, WEAR SUITABLE PERSONAL PROTECTION EQUIPMENT (gloves, no-voltage tester, etc.)**

The safety devices must not be removed (even temporarily) or modified. When in doubt, contact your dealer's technical department giving the machine model and serial number.

### NEVER SPRINKLE WATER ON THE MACHINE

An alarm can be programmed on the maintenance menu to warn that preventive maintenance should be carried out (see section 3.4). This alarm is programmable per operating hour, so after the programmed number of working hours, the alarm will appear on the display each time the machine is started until a new maintenance programme is defined or the alarm is deactivated.

Below is a table summarising the preventive maintenance that must be carried out and how often:

Check and maintenance points	Frequency (hours)
Checking of all machine safety devices: Emergency stop, safety plate, handle safety, safety thermostat, earthing (electric).	500
General cleaning: inside, in the frames (lint and grease), ventilation fan, stripper blades, feelers, pressure switch piping.	
Check the condition of the feelers and their position (see section 4.5)	
Replacement of the entire guide band set (See section 4.3)	
Check and tighten electrical connections on the cut-off switch, the heating contactor and the heating elements	



Check and maintenance points	Frequency (hours)
Check the drive chain tension (large) and very lightly grease the drive chain (large), the press roller chain (small) and the sprockets with liquid grease (see chain detail below)	1000
Visually check the condition of the ironing bands, the infeed bands, press fleece and folder conveyor bands to anticipate their replacement if necessary	
Check the tension of the ironing bands, infeed bands, presser fleece and folder conveyor belts. This tension setting must be the same on both sides.	
Visually check the condition of the side rollers (x2) to anticipate their replacement if necessary.	
Clean the exhaust duct	

**NOTE:** The frequency is defined on the basis of a 40-hour working week, 2000 hours corresponds to approximately one year.

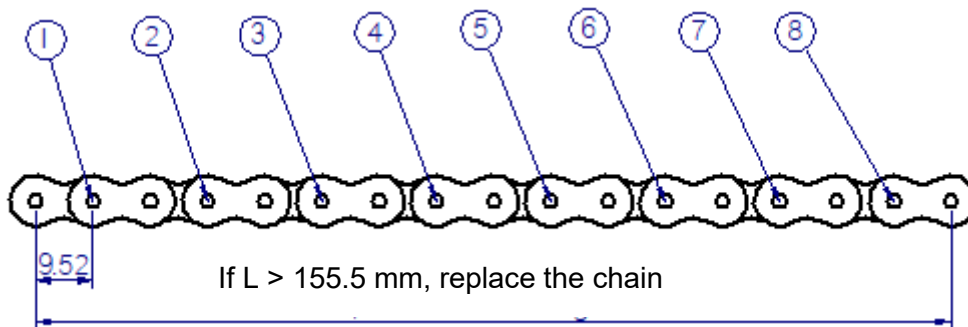
The chains are fitted with quick couplings for easier removal.

The drive satellite chain (large) is tensioned automatically using an automatic tensioning sprocket which must be loosened to remove the chain and tightened to refit it.

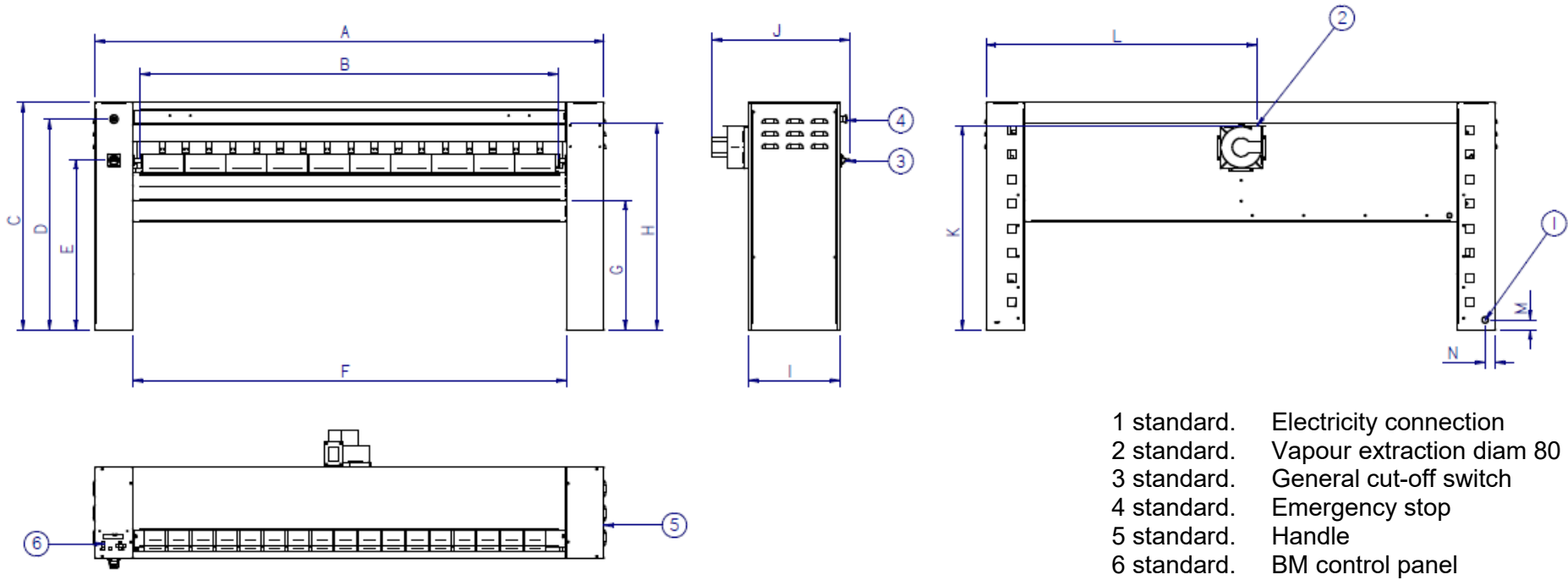
The press satellite drive chain (small) is not tensioned deliberately.

Below is a description of how to determine the state of wear of the chains and when they need to be replaced:

**Small and large drive chains (pitch = 9.52 mm)**



## 7. LAYOUT DRAWINGS



- 1 standard. Electricity connection
- 2 standard. Vapour extraction diam 80
- 3 standard. General cut-off switch
- 4 standard. Emergency stop
- 5 standard. Handle
- 6 standard. BM control panel

Type	A	B	C	D	E	F	G	H	I	J	K	L	M	N
<b>PS-20/140 M</b>	1878	1470	1110	1028	830	1510	631	1006	444	666	995	1016	50	50
<b>PS-20/160 M</b>	2128	1720	1110	1028	830	1760	631	1006	444	666	995	1141	50	50
<b>PS-20/200 M</b>	2478	2070	1110	1028	830	2110	631	1006	444	666	995	1316	50	50



**MANUAL DE INSTRUCCIONES**

**CALANDRAS**

PS-20/140 M

PS-20/160 M

PS-20/200 M

12314877

01/09/2022

**Fabricant / Manufacturer / Fabricante :**

**ONNERA GROUP**

Parc d'activité de Sologne, BP 19 41600 LAMOTTE BEUVRON – France  
Tél. +33 (0)2 54 88 05 76 – Fax +33 (0)2 54 96 89 04

**Type de la machine / Type of the machine / Tipo de la máquina :**

Sécheuses repasseuses, Flatwork ironers, Calandras

**Modèle. Model. Modelo**

PS-20/140 M E, PS-20/160 M E, PS-20/200 M E  
PS-35/140 M G, PS-35/160 M G, PS-35/200 M G,  
PS-35/140 M E, PS-35/160 M E, PS-35/200 M E  
PS-35/200 M PLUS E, PS-35/260 M PLUS E, PS-35/330 M PLUS E  
PS-35/200 M PLUS GR, PS-35/260 M PLUS GR, PS-35/330 M PLUS GR

*Nous déclarons sous notre responsabilité que les machines, dont le type est indiqué ci-dessus, ont été fabriquées en conformité avec les directives U.E. suivantes :*

*We herewith declare under our responsibility that the machines whose type is stated above have been manufactured in conformity with the following E.U. directives:*

*Declaramos bajo nuestra responsabilidad que las máquinas cuyo tipo se indica arriba se ha fabricado conforme a las U.E. directivas siguientes:*

- **Machine Directive 2006/42/EC (include Low voltage directive 2014/35/UE)**
- **Electromagnetic compatibility Directive 2014/30/UE**
- **RoHS II-directive 2011/65/UE**
- **Regulation (EU) 2016/426 “gas appliances” registered under No 029 M**

*Pour lesquelles nous avons suivi les normes / For what have been followed the standards / Para lo cual se han seguido las normas :*

**EN-60204-1:** Sécurité des machines - Equipements électriques des machines – Règles générales / Safety of machinery - Electrical equipment of machines -- General requirements / Seguridad de las máquinas. Equipo eléctrico de las máquinas. Requisitos generales.

**NF EN ISO 10472-1+5 :** Exigences de sécurité pour les machines de blanchisserie industrielle – Prescriptions communes + sécheuses repasseuses / Safety requirements for industrial laundry machinery. Common requirements + Flatwork ironer / Requisitos de seguridad para la maquinaria de lavandería industrial. Requisitos comunes + calandra

**EN-61000-6-2 + EN-61000-6-4 :** Compatibilité électromagnétique (CEM) - Immunité + Emission / Electromagnetic compatibility (EMC) - Immunity + Emission / Compatibilidad electromagnética (CEM). Inmunidad + Emisión

Le 06/09/2022,

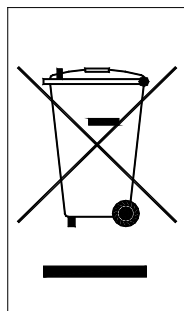
Approbateur Technique, Technical aprobator, Aprodador tecnico :

**ONNERA GROUP**  
Parc d'activités de Sologne  
3 rue Léonard de Vinci  
41600 Lamotte Beuvron France  
Tél. 0033 2 54 88 05 76  
SIRET 342 222 759 00058

Los documentos técnicos contienen información confidencial. Queremos informarle que está prohibido revelar y copiar estos documentos y que iniciaremos procedimientos legales contra los autores de dichas copias.

### Tratamiento de los aparatos eléctricos y electrónicos al final de su vida útil

Este símbolo, colocado en el producto o en su embalaje, indica que este producto no se debe tratar con los desechos domésticos. Se debe llevar a un punto de recogida apropiado para el reciclaje de equipos eléctricos y electrónicos.



## INSTRUCCIÓN ORIGINAL SECADORA PLANCHADORA PS-20/ M E

### ATENCIÓN



Riesgo de aplastamiento de los dedos



Riesgo eléctrico



Riesgo de quemadura

**1 PRINCIPIO GENERAL**

1.1	Introducción .....	3
1.2	Principio de funcionamiento .....	4
1.3	Seguridad .....	5
1.3.1	Seguridad protector de dedos.....	5
1.3.2	Seguridad manual.....	5
1.3.3	Seguridad vinculado al calentamiento .....	5
1.4	Calentamiento.....	6
1.5	Opciones .....	6

**2 MANUAL TÉCNICO DE INSTALACIÓN**

2.1	Placa de características.....	7
2.2	Instalación.....	7
2.2.1	Manutención y embalaje.....	7
2.2.2	Características del local.....	8
2.2.3	Colocación.....	8
2.2.4	Nivelación .....	9
2.2.5	Conexión eléctrica .....	10
2.2.6	Conexión de evacuación del vaho .....	11
2.2.7	Puesta en marcha inicial .....	12

**3 INSTRUCCIONES DE USO**

3.1	Recomendaciones de utilización .....	13
3.2	Descripción del panel de control .....	13
3.3	Ejecución de un ciclo .....	14
3.4	Menú de mantenimiento .....	15
3.5	Menú de estadísticas .....	16

**4 MANUAL TÉCNICO**

4.1	Utilización de la manivela (en caso de avería de corriente).....	17
4.2	Reemplazo de galones guía .....	18
4.3	Detención prolongada y parafina (salvo la opción de cromado).....	18
4.4	Control y limpieza de los palpadores .....	19

**5 ANOMALÍAS Y ALARMAS**

5.1	Diferentes anomalías .....	20
5.2	Lista de alarmas .....	21

**6 MANTENIMIENTO PREVENTIVO 22**

**7 PLANO DE IMPLANTACIÓN**

7.1	Plano de implantación .....	24
-----	-----------------------------	----



## 1. PRINCIPIO GENERAL

### 1.1. Introducción

Le agradecemos la confianza que ha depositado en nuestro producto. Esperamos que responda a sus necesidades.

La garantía no cubre los daños en componentes de vidrio ni consumibles (juntas, ampollas, textiles, etc.), ni los daños en materiales aislantes, o daños causados por una instalación defectuosa del aparato o por un uso indebido, mantenimiento insuficiente o mal estado en general.

Este aparato está sujeto a cambios y modificaciones, en función de su avance técnico.

**ADVERTENCIA:** Para reducir el riesgo de descargas eléctricas o de lesiones al utilizar su aparato, siga las precauciones básicas, entre otras:

- 1- **LEA** todas las instrucciones antes de utilizar el aparato y **CONSERVELAS** en un lugar de fácil acceso para aclarar cualquier duda.
- 2- Este aparato debe ser instalado por un Servicio de asistencia técnica oficial o autorizado. Una instalación incorrecta, una regulación incorrecta, un servicio o un mantenimiento inadecuados, al igual que la manipulación incorrecta del aparato pueden ocasionar daños materiales, así como lesiones. Lea atentamente las instrucciones de este manual antes de efectuar la puesta en servicio del aparato. Encontrará información importante relativa a su instalación.
- 3- Una instalación, un servicio, un mantenimiento y/o una limpieza, así como una modificación incorrecta del aparato, pueden provocar daños en el mismo y lesiones a los usuarios.
- 4- No cumplir las reglas de conducta indicadas supondrá la pérdida de toda garantía.
- 5- Desconecte el aparato en caso de avería o mal funcionamiento.
- 6- **NO SECAR/PLANCHAR** ropa que haya sido tratada, lavada, sumergida o manchada con gasolina, disolventes de limpieza en seco o cualquier otro producto inflamables o explosivo que pueda incendiarse o explotar.
- 7- **NO AGREGAR** gasolina, disolventes de limpieza en seco ni otras sustancias inflamables al agua de lavado. Estas sustancias emiten vapores que pueden incendiarse o explotar.
- 8- **NO DEJAR** jugar a los niños con, ni sobre el aparato. Vigile atentamente a los niños cuando estén cerca de una máquina en funcionamiento.
- 9- Este aparato no ha sido diseñado para su uso por personas (incluidos los niños) que tengan mermadas su capacidad física, sensorial o mental, o que no tengan experiencia o conocimientos, a menos que la persona responsable de su uso los supervise o les haya instruido sobre su uso.
- 10- **No instalar ni almacenar** el aparato a la intemperie.
- 11- **No forzar** los mandos.
- 12- **No repare ni sustituya ninguna pieza** del aparato y no intente ninguna intervención de mantenimiento, salvo recomendación contraria en el manual de uso. A pesar de todo, cerciórese siempre que comprende perfectamente las instrucciones y que está capacitado para realizar esta operación.
- 13- No suprima ningún dispositivo de seguridad, y no modifique ningún elemento de la lavadora. **NO INSTALAR** elementos extraños dentro de la máquina.
- 14- No cumplir las indicaciones descritas en los manuales de uso puede provocar lesiones. No es posible mencionar todos los casos y situaciones posibles en las advertencias de peligro. Por esta razón, el **sentido común**, la precaución y la atención son factores que deben tener la o las personas que transporten, instalen, utilicen o lleven a cabo el mantenimiento de la máquina.
- 15- **NO** utilice la máquina si no están correctamente colocadas y fijadas todas las tapas y protecciones.
- 16- El distribuidor (vendedor) debe capacitar **OBLIGATORIAMENTE** de forma adecuada al usuario durante la puesta en servicio.
- 17- Limpie diariamente las bandejas de alimentación y de recepción.
- 18- Si fuera necesario, esta documentación puede solicitarse en formato digital a la siguiente dirección [info.laundry@fagorprofessional.com](mailto:info.laundry@fagorprofessional.com) / [info@fagorprofessional.com](mailto:info@fagorprofessional.com)



## 1.2. Principio de funcionamiento

Este tipo de máquina está diseñado para secar y planchar sólo ropa plana como sábanas o manteles.

Al colocar la ropa sobre la tabla de alimentación en la parte delantera de la máquina, la ropa es alimentada automáticamente al cilindro de secado mediante las correas de alimentación. A continuación, pasa la ropa bajo el rodillo de presión acolchado que asegura un primer calandrado gracias a una presión constante y autorregulada según el grosor de la ropa por un sistema de muelles compensadores.

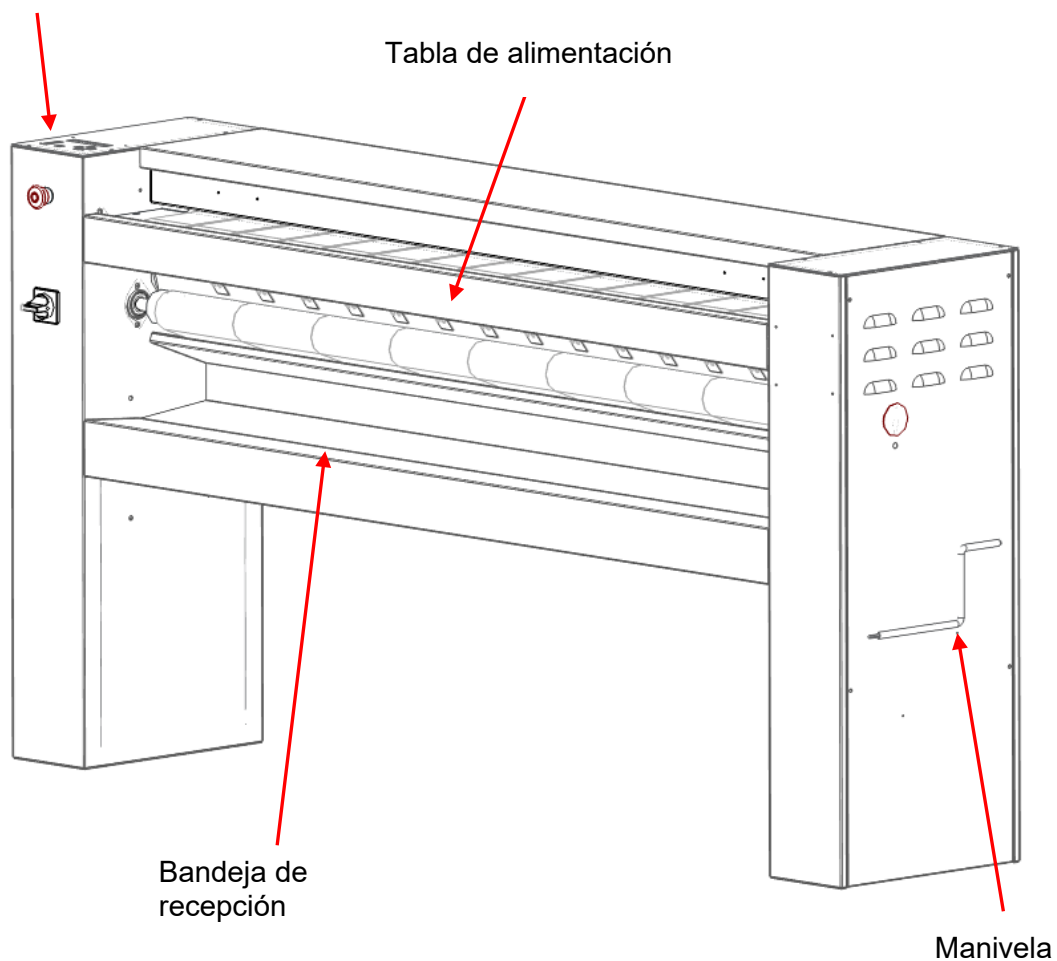
El planchado de secado se lleva a cabo por bandas de calidad "Nomex" y un cilindro calentado.

Una vez seca y planchada, la ropa es dirigida automáticamente a la bandeja de recepción con láminas metálicas con teflón con muelle. Estas láminas se prolongan con almohadillas de teflón para evitar cualquier marca en las bandas.

La ropa sale, seca, planchada y perfectamente calandrada para lucirla de manera irrefutable.

El mando de la máquina se lleva a cabo mediante un panel de control en el que se gestionan velocidad, temperatura y algunos parámetros más.

Panel de control



Tipo de máquina	PS-20/140 M	PS-20/160 M	PS-20/200 M
Producción teórica (kg/h)	10-12	13-15	19-21
Ø Cilindro (mm)	200	200	200
Ancho útil (mm)	1400	1600	2000
Velocidad de trabajo (m/min)	1.5-6	1.5-6	1.5-6
Altura de carga en mm	990	990	990
Nivel acústico (dB)	63	63	63
Capacidad de evaporación (l/h)	8-10	10-12	12-14

### 1.3. Seguridad

Además del paro de emergencia situado cerca del panel de control, la secadora planchadora está equipada con otras características de seguridad que se describen a continuación:

#### 1.3.1. Seguridad para proteger los dedos

La seguridad del operario está garantizada por una placa (mesa de seguridad) situada justo después de la tabla de alimentación, lo que impide que las manos del operario puedan avanzar demasiado e impide que se quemen o aplasten los dedos.

Un ligero contacto con esta placa de seguridad hace que la máquina se detenga inmediatamente al aparecer una alarma en el panel de control. Esta tabla de seguridad puede considerarse como el principal paro de emergencia de la máquina (puede utilizarse en toda la longitud).

El espacio entre la tabla de alimentación y la tabla de seguridad es de 8 mm. No se debe alterar esta distancia.

#### 1.3.2. Seguridad de la manivela

Cuando se utiliza la manivela (ver el capítulo 4.1), es necesario retirar la placa roja situada en el costado derecho para insertar la manivela y, de este modo, girar manualmente el cilindro (en caso de que se produzca un fallo de alimentación estando máquina caliente). Esta acción, por seguridad, detiene inmediatamente la máquina y muestra una alarma en el panel de control.

#### 1.3.3. Seguridad del calentamiento

La máquina está equipada con un termostato de seguridad colocado en el cilindro (en uno de los dos palpadores) cuyo reajuste manual se encuentra dentro del marco izquierdo y se activa si la temperatura del cilindro es superior a 205°C. Cuando se enciende el termostato, se activa una alarma visible en el panel de control. **NO REARMAR EL TERMOSTATO** si la temperatura supera los 150°C en pantalla. Esperar a que se enfríe el cilindro.

También se instalan dos sensores de temperatura en los palpadores, uno para el control y otro para seguridad, que también muestran una alarma si uno de los dos sensores miden una temperatura superior a 205°C.

## 1.4. Calentamiento

**Calentamiento eléctrico:** se realiza mediante resistencias blindadas (cantidad variable según el tipo de máquina) dentro del cilindro.

Tipo de máquina	PS-20/140 M	PS-20/160 M	PS-20/200 M
Número de resistencias	3	3	3
Potencia de la resistencia (KW)	3.5	4	5
Potencia TOTAL (KW)	10.5	12	15

## 1.5. Opciones

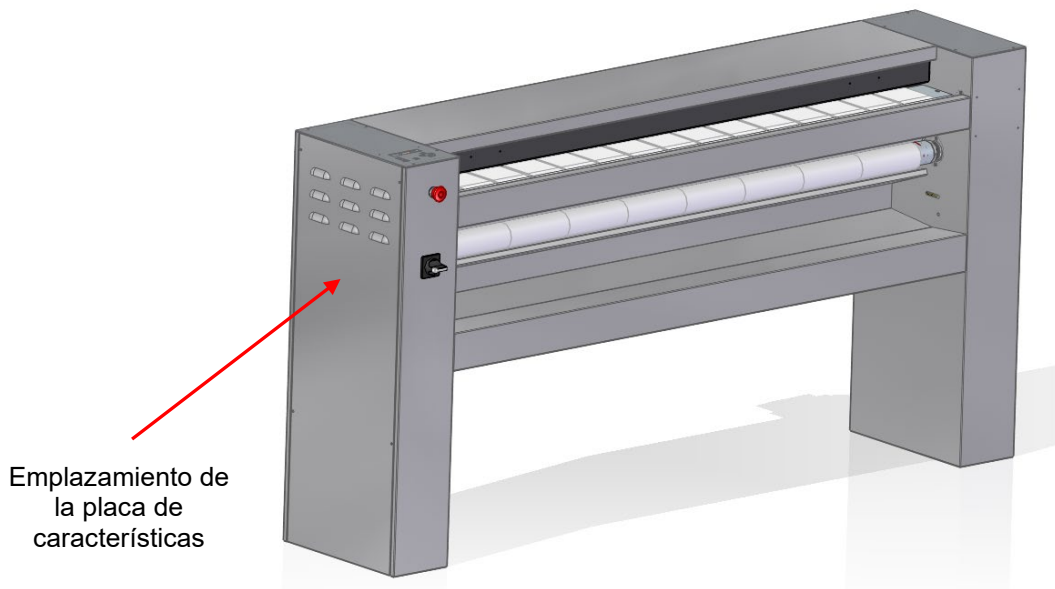
- **Voltajes:** Como estándar, el voltaje de alimentación es 400 V 3P + T + N 50HZ. Opcionalmente, los siguientes voltajes están disponibles:
  - 230 V 3F + T 50 HZ
  - 230 V 3F + T 60 HZ
  - 440 V 3P + T 50 HZ (tensión marina)
  - 440 V 3F + T 60 HZ (voltaje marino)

## 2. MANUAL TÉCNICO DE INSTALACIÓN

### 2.1. Placa de características

La placa de características de este aparato está situada en el panel de la izquierda. Indica:

- Tipo de material y número de serie
- Características eléctricas (tensión, potencias y protección)
- Potencia total



### 2.2. Instalación



**Atención:** la máquina debe ser instalada, regulada y puesta en funcionamiento únicamente por un equipo de técnicos de la empresa constructora o por técnicos o vendedores que tengan autorización de la empresa.

Igualmente, se aconseja firmemente la presencia del cliente, en particular para la instalación y durante las primeras pruebas.

El aparato se debe instalar de conformidad con las reglamentaciones y normas en vigor, en un local suficientemente ventilado, limpio y bien ordenado antes, durante y después de la instalación. Los eventuales desechos se deben evacuar en contenedores adecuados.

#### 2.2.1. Manipulación y embalaje

En la entrega, la máquina debe estar en perfecto estado, el embalaje no debe estar incompleto ni deteriorado. Respetar las indicaciones que figuran en el paquete (por ejemplo: frágil, arriba y abajo, proteger de la lluvia...). Como la máquina tiene un peso y tamaño grandes (ver tabla a continuación), hay que tener previstos medios de elevación y de manipulación convenientes para actuar con toda seguridad.

La máquina se debe manipular con un carretilla elevadora de capacidad suficiente, las horquillas deben estar separadas al máximo para evitar que vuelque.

Como la máquina es relativamente larga, muy a menudo habrá que descargarla desde el lateral de un camión con remolque que cuente con abertura por el costado (lona).

Es obligatorio agarrar la máquina por su centro (centro de gravedad en el eje).

Por ejemplo, no volcar ni dejar caer la máquina durante la descarga.

**Nota:** si se utilizan eslingas (no previsto y **muy desaconsejado**) la manipulación se realizará bajo la exclusiva responsabilidad de quién lleve a cabo la operación (**existe el riesgo de deformar la máquina**).

	DIMENSIONES en mm		PESO (KG)		Volumen emb. (m3)
	(Ancho x profundidad x altura)		sin embalaje	con embalaje	
	total	con embalaje			
<b>PS-20/140 M</b>	1878x666x1110		180	220	2.3
<b>PS-20/160 M</b>	2128x666x1110	2340x770x1400	203	240	2.52
<b>PS-20/200 M</b>	2478x666x1110	2780x770x1400	237	275	3

### 2.2.2. Características del local

- La máquina se debe instalar en un local muy bien ventilado con una iluminación correcta y una temperatura ambiente comprendida entre + 10°C y + 40°C (temperatura límite para el variador electrónico de frecuencia del motor de accionamiento).
- Para lograr un rendimiento óptimo de la máquina, debe asegurarse de que el aire fresco entre desde el exterior de la sala, lo más cerca posible de la misma.

La sección transversal de la entrada de aire fresco debe ser al menos 4 veces la sección transversal del tubo de salida. Dependiendo del modelo, puede haber dos tubos de escape de salida.

**Nota:** la sección de entrada de aire fresco es la sección a través de la cual el aire puede moverse sin la resistencia debida a la rejilla instalada en la propia entrada. Hay que tener en cuenta que a menudo las barras de la rejilla ocupan una gran parte de la sección de la misma.

Debe dejarse suficiente espacio alrededor de la máquina para permitir un funcionamiento adecuado:

- 10 cm mínimo en la parte trasera que comprende el .
- 60 a 80 cm a cada lado para conservación y mantenimiento.
- Es necesario dejar un espacio por delante para que el operario pueda trabajar correctamente y sin correr riesgo alguno.

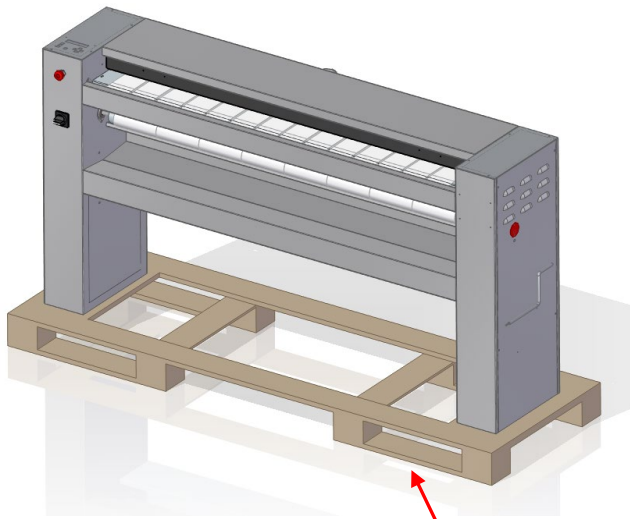
Se requiere una resistencia mínima del suelo para implantar una máquina de este tipo (ver tabla a continuación).

Tipo de máquina	PS-20/140 M	PS-20/160 M	PS-20/200 M
Peso (KG)	180	203	237
Superficie en el suelo (m <sup>2</sup> )	1.25	1.4	1.65
Esfuerzo estático (daN/m <sup>2</sup> )	692	780	911

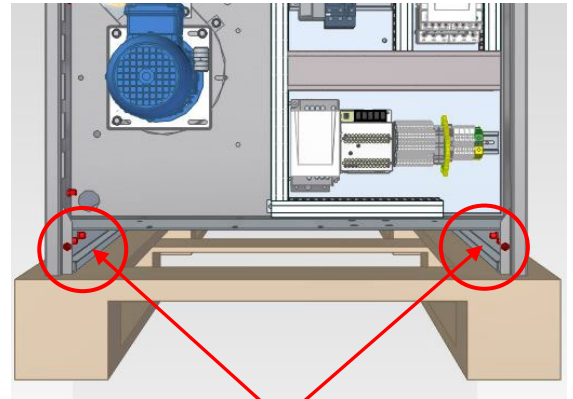
### 2.2.3. Colocación

Antes de retirar los elementos de transporte (palé y enganches), acerque la máquina lo máximo posible al lugar de su instalación definitiva.

La secadora-planchadora se entrega sobre un palé que se fija a las 4 esquinas de la máquina mediante 4 tornillos. Para acceder a los tornillos y extraerlos, es necesario retirar los paneles laterales.



Palé



Posición de los tornillos  
(vista desde el lado izquierdo)

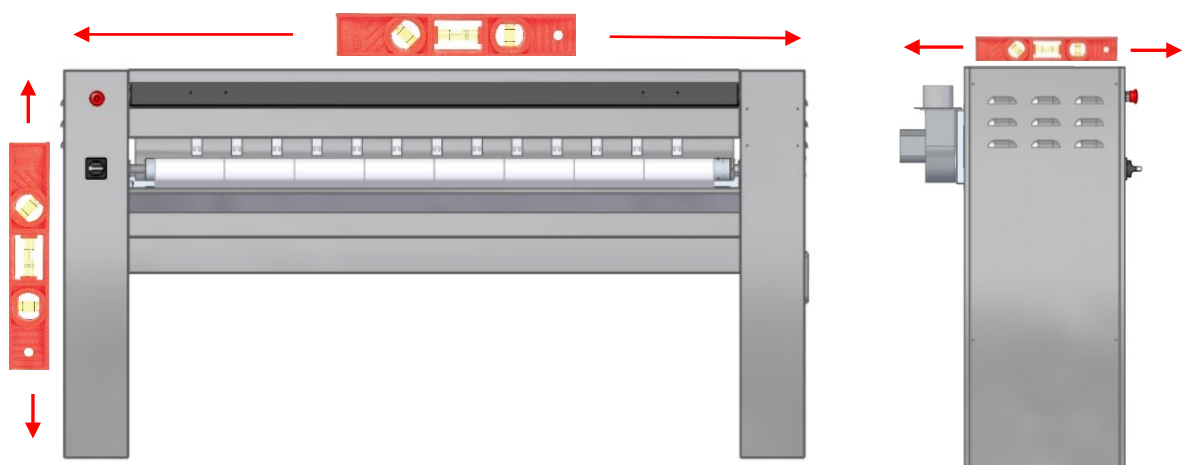
Después de haber retirado los 4 tornillos, retirar el palé y poner la máquina delicadamente sobre el suelo.

### 2.2.4 Nivelación



**La perfecta nivelación horizontal y vertical de la máquina es imprescindible para su correcto funcionamiento.**

Si fuera necesario, agregue calzas debajo de la máquina.



Si el nivel fuera demasiado bajo, las bandas de planchado se desplazarán lateralmente (a la izquierda o a la derecha), aumentando así el desgaste de las bandas.

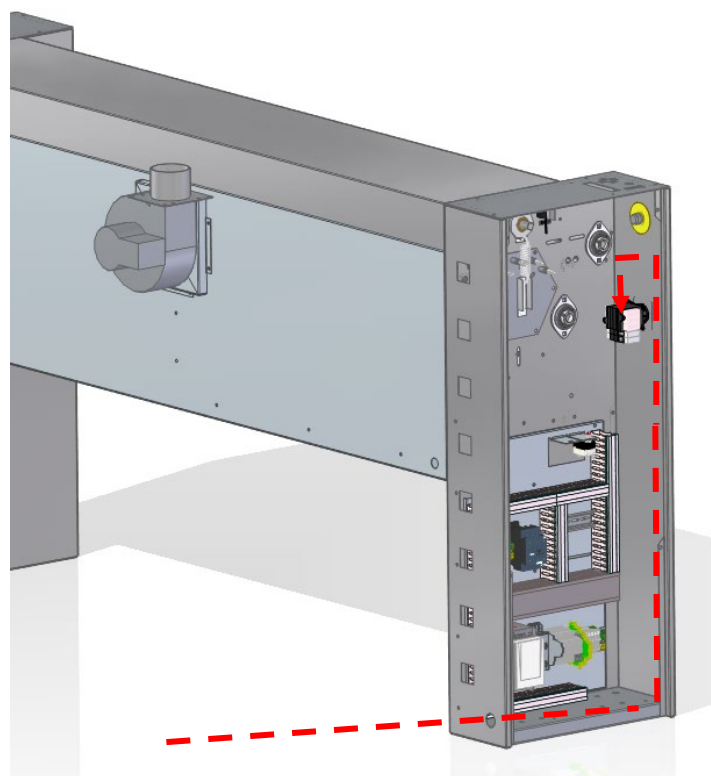
### 2.2.5 Conexión eléctrica

No se suministra el cable de alimentación de corriente eléctrica.

La máquina se debe conectar eléctricamente por medio de un cable eléctrico que tenga las características definidas en las tablas siguientes y protegido por un **disyuntor diferencial de 300 mA o 30 mA SI (súper inmunizado)**. No se debe conectar el cable eléctrico a una toma y hay que prever al menos 50 cm de flexión en la máquina para conectar el cable directamente al interruptor de la máquina. Se dejará un máximo de 3 metros entre la conexión al interruptor y el dispositivo de protección (disyuntor).

La instalación eléctrica debe cumplir las normas en vigor. Cerciorarse de que la tensión de alimentación corresponda a los datos técnicos indicados en la placa de características situada en la parte posterior de la máquina (ver capítulo 2.1).

**La puesta a tierra de estar perfectamente conectada de forma correcta para garantizar la seguridad de los usuarios y un buen funcionamiento.**



El cable de alimentación debe estar conectado al interruptor que se encuentra en el bastidor izquierdo. El cable de alimentación debe pasar por la parte trasera de la máquina a través de uno de los agujeros del bastidor, como se muestra arriba.



<b>Características eléctricas</b>				
		<b>PS-20/140 M</b>	<b>PS-20/160 M</b>	<b>PS-20/200 M</b>
Potencia del motor (KW)		0.37	0.37	0.37
Potencia de calentamiento (KW)		10.5	12	18
Potencia total (KW)		10.87	12.37	18.37
Tensión de alimentación				
Protección (A)	400 V 3F + N + T	20	20	32
	230 V 3F + T	32	40	50
Sección de cable (mm <sup>2</sup> )	400 V 3F + N + T	5G4mm <sup>2</sup>	5G4mm <sup>2</sup>	5G6mm <sup>2</sup>
	230 V 3F + T	4G6mm <sup>2</sup>	4G10mm <sup>2</sup>	4G10mm <sup>2</sup>

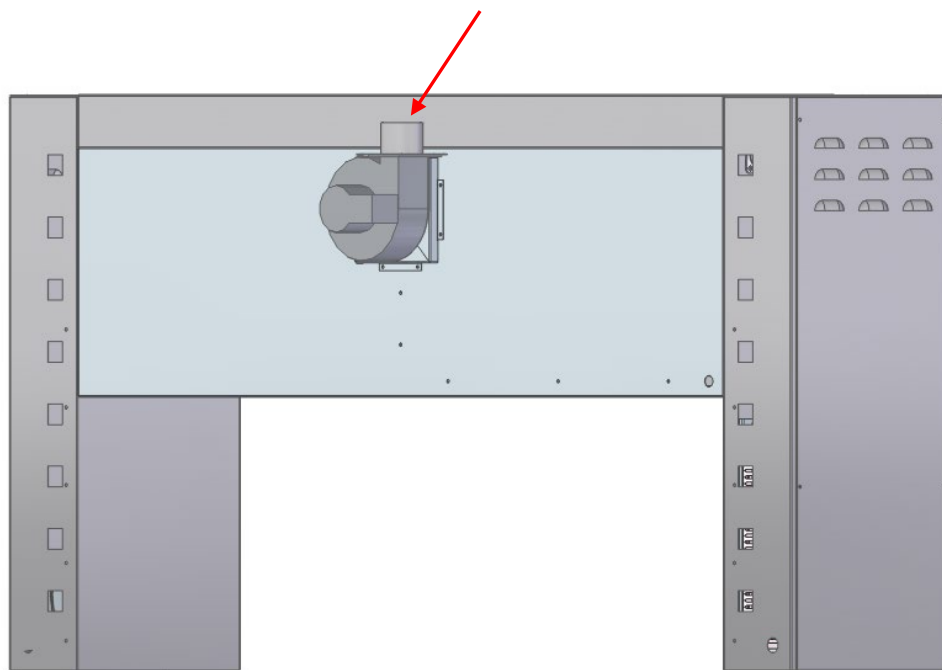
### 2.2.6 Conexión de la evacuación de los vahos

La conexión de los vahos al exterior es **obligatoria** (no se suministra el conducto de evacuación). El aire de escape debe ser canalizado fuera del lugar de trabajo y nunca debe estar conectado a otras chimeneas, que ya se utilicen para extraer el humo de otros equipos. La ubicación de estos conductos debe estar dentro de los límites establecidos en la legislación térmica ambiental. El tubo utilizado debe ser rígido y metálico y resistente a la temperatura (150°C), y no debe pasar nunca demasiado cerca de materiales inflamables o susceptibles de ser deformados por el exceso de temperatura.

El interior del tubo debe ser liso para no perturbar la trayectoria del aire, o contener elementos en los que se puedan acumular pelusa (tornillos, remaches, etc...).

Se recomienda la instalación de escotillas de inspección en el conducto para facilitar la limpieza periódica del mismo.

Conexión de los vahos en **Ø83**  
mm (en la parte superior)



El conducto de salida debe ser lo más corto posible. No deben superar los **5 metros**, tener más de **2 codos de 90°**, y deben tener una inclinación hacia fuera del 2% en las secciones horizontales para evitar que el condensado retorne a la máquina y debe estar equipado con una **válvula antirretroceso**.

- Si el conducto de escape tuviera que superar los 5 metros y 2 codos, se recomienda aumentar el diámetro del conducto de escape o añadir un motor de extracción en el conducto.

El dimensionamiento de este motor de extracción debe ser realizado por una empresa especializada en el tratamiento de aire según las siguientes indicaciones:

- Potencia del motor del ventilador: 0.09 KW
- Tasa de extracción : 300 m<sup>3</sup>/h
- Caída de presión a la salida del ventilador: 30 Pa

### **2.2.7 Primera puesta en servicio**

Después de asegurarse de que la máquina está instalada según las recomendaciones de este manual (nivelación, conexión eléctrica), proceder a la puesta en funcionamiento de la secadora-planchadora:

- Gire el interruptor de la parte trasera de la máquina, lado izquierdo, a la posición 1.
- Verifique que el botón de paro de emergencia no está activado
- Pulse START para quitar el papel con parafina que envuelve el cilindro.
- Asegúrese de que los palpadores estén en las posiciones correctas antes y justo después de la primera puesta en marcha de la máquina, ya que podrían estar mal posicionados debido a la parafina aplicada en fábrica para proteger el cilindro de contra la corrosión (ver capítulo 4.4).
- Compruebe que la máquina funciona correctamente (en caso de cualquier anomalía, consulte el capítulo 5).
- Entrenar al personal operativo como se describe en el capítulo 3.

### 3 INSTRUCCIONES DE USO

#### 3.1 Recomendaciones de uso

La secadora-planchadora está equipada con un panel de control que permite, entre otras cosas, ajustar la temperatura y la velocidad del cilindro, que debe adaptarse según el tipo de ropa a secar y planchar.

Estos dos parámetros (temperatura y velocidad) deben ser adaptados por el usuario según el tipo de ropa plana que se vaya a secar y planchar. Si la ropa está todavía húmeda en la salida, se debe aumentar la temperatura y/o reducir la velocidad. Por el contrario, reducir la temperatura y/o la velocidad si la ropa sale muy tiesa o ligeramente amarillenta (síntoma de sobrecalentamiento).

La ropa a planchar debe tener una humedad relativa comprendida entre 25% y 50%.

La temperatura máxima de ajuste es de 180°C.

Introducir la pieza de ropa en la máquina poniéndola en la tabla de alimentación (una buena colocación de la ropa, ropa plana y bien estirada ocasionará una mejor calidad de planchado).

Para las grandes piezas de ropa, el trabajo se debe hacer entre dos personas, de pie frente a la máquina. Cada persona debe sostener un extremo de la tela y engancharlos al mismo tiempo.

La altura de carga y la inclinación de la bandeja de entrada permiten una perfecta ergonomía, eliminando de esta forma los trastornos músculo-esqueléticos relacionados con este puesto de trabajo.

La ropa se introduce automáticamente para ser secada y planchada. Puede ser recogida en la bandeja de recepción o transportada a la salida delantera o trasera en el caso de una máquina equipada con la opción de plegado.

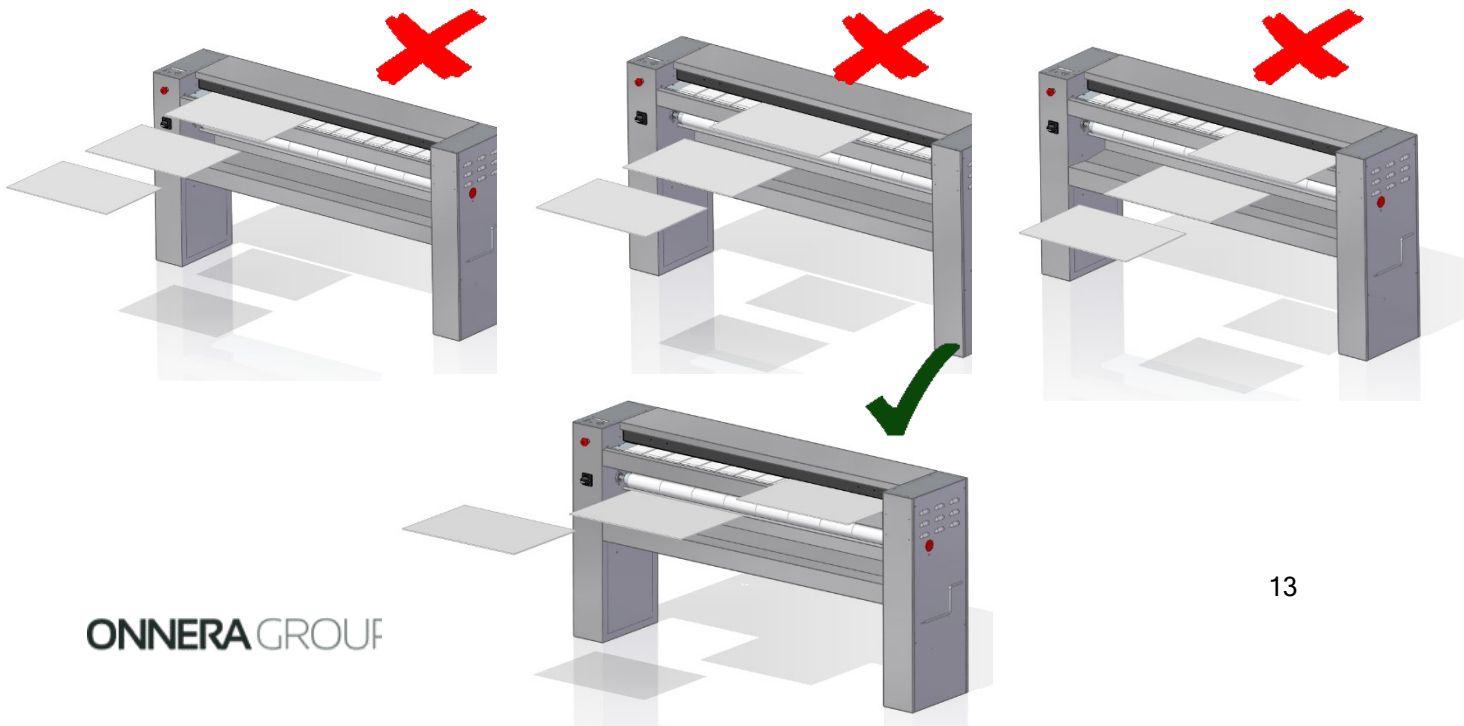
Una opción (modo automático) ajusta automáticamente la velocidad del cilindro de acuerdo con el contenido de humedad residual detectado en la ropa.

La ropa debe ser plana (sin botones, cierres, broches, lazos, etc.), no debe ser doblada antes de ser introducida en la máquina para una calidad óptima y no debe tener un grosor superior a 8 mm.

Para reducir al máximo la inercia del calentamiento, es aconsejable empezar a trabajar cuando la temperatura sea ligeramente inferior a la establecida.

Si un paro de producción es superior a 15 minutos, es aconsejable pulsar STOP para pasar la máquina a la fase de enfriamiento y así limitar el consumo innecesario de energía. Presione START de nuevo para reanudar el trabajo y reiniciar el calentamiento de la máquina.

Al planchar pequeñas piezas de ropa plana, es esencial trabajar sucesivamente en toda la longitud de planchado, para obtener un trabajo uniforme y una mejor longevidad de las bandas de planchado, que podrían deteriorarse rápidamente.

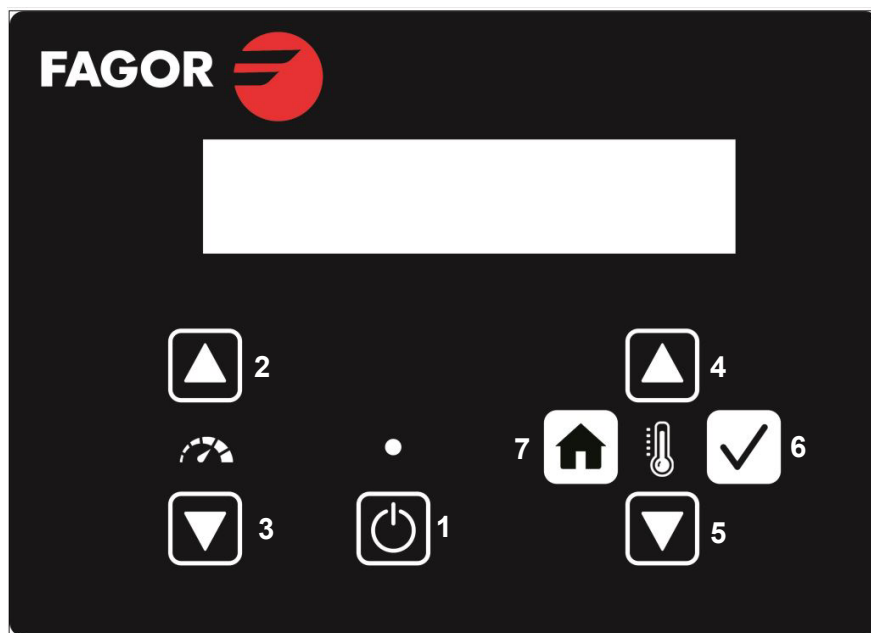




**IMPORTANTE:** La máquina no debe ser detenida a alta temperatura. Pulse el botón « START- STOP (1) para entrar en la fase de enfriamiento. Se detendrá automáticamente cuando la temperatura alcance los **80°C**. No detenga la máquina presionando el botón de paro de emergencia, que sólo debe usarse en caso de extrema necesidad.

### 3.2 Descripción del panel de control

Alimente la máquina eléctricamente accionando el interruptor general situado en la parte posterior a la derecha de la máquina (el paro de emergencia no debe estar activada). En el momento de la puesta en marcha y durante unos segundos, en pantalla aparecerá la versión del microprocesador, indicando a continuación "PRESS START".



- 1- Botón "START-STOP"
- 2- Aumentar la velocidad de planchado
- 3- Reducir la velocidad de planchado
- 4- Aumentar la temperatura
- 5- Reducir la temperatura
- 6- Botón de validación
- 7- Botón de acceso al programa de mantenimiento (exclusivo para los servicios técnicos)

### 3.3 Realización de un ciclo

Pulsando directamente el botón "START-STOP", la secadora-planchadora se pone en marcha a la velocidad y temperatura del último ciclo que haya realizado.

Tenga en cuenta que en el momento de la puesta en marcha, la máquina se precalienta a 130°C (parámetro modificable) a velocidad reducida (3m/min) no pudiéndose modificar durante esta fase.

Además, en el caso de las máquinas con calentamiento eléctrico, los motores de los ventiladores sólo se activan cuando se alcanza la mitad de la temperatura establecida.

Durante el funcionamiento, la pantalla muestra la temperatura real del cilindro y la velocidad de rotación del mismo (pantalla de funcionamiento), y estos parámetros pueden modificarse mediante los botones correspondientes.

Al pulsar uno de los dos botones de velocidad (2 y 3), la velocidad cambia de 0.5 en 0.5 m/min entre 1.5 y 6 m/min.

Al pulsar uno de los dos botones de ajuste de la temperatura (4 y 5), la pantalla mostrará "TEMPERATURE SET" y la temperatura establecida, que puede regularse de 1°C a 180°C. Después de ajustar la temperatura programada, pulse el botón de confirmación (6) para validar la temperatura programada y volver a la pantalla de ejecución.

Cuando el aparato está apagado, se puede seleccionar el modo de funcionamiento pulsando las flechas de control de la temperatura (4 y 5):

- **Modo manual:** el propio operario ajusta la velocidad de planchado
- **Modo automático:** la velocidad se adapta en función de la evolución de la temperatura (por ejemplo, en función de la carga, la velocidad disminuirá si la temperatura baja rápidamente).

Al pulsar STOP, el programa pasa a la fase de enfriamiento (si la temperatura del cilindro es superior a 80°C) y la máquina se detendrá automáticamente cuando la temperatura haya alcanzado los 80°C.

Es posible reiniciar cualquier programa en cualquier momento durante la fase de enfriamiento.

Si la temperatura del cilindro es inferior a 80°C, pulsando "START-STOP" (1) la máquina se detiene instantáneamente sin fase de enfriamiento.

### **3.4 Programa de mantenimiento**

En el programa de mantenimiento se pueden ajustar determinados parámetros relacionados con el funcionamiento de la máquina.

Para acceder al programa de mantenimiento con la máquina detenida, pulse el botón de acceso al programa de mantenimiento (7) y aparecerá en pantalla "ENTER CODE - 0000". Introduzca el código "1111" utilizando los botones "aumento de temperatura" (4) para seleccionar la 1ª cifra (entre 0 y 9) y el "botón de confirmación" (6) para validar y pasar a la 2ª cifra y así sucesivamente.

#### **Lista de parámetros:**

Los valores pueden modificarse con los botones 4 y 5 y confirmarse pulsando el botón de confirmación (6).

- **TEMP MÁX:** Temperatura establecida máxima correspondiente a la temperatura máxima ajustable por el usuario. Ajustable de 100°C a 180°C (valor por defecto = 180°C)
- **PRECALENTAMIENTO:** Temperatura de precalentamiento ajustable de 20°C a 180°C (valor por defecto = 130°C).
- **TEMP DE ENFRIAMIENTO:** Temperatura de enfriamiento a la que la máquina se detiene automáticamente. Ajustable de 60°C a 105°C (valor por defecto = 80°C)
- **MANTENIMIENTO PREVENTIVO:** Es posible programar un tiempo en horas y cuando se alcanza este tiempo de funcionamiento, aparecerá un mensaje cada vez que se ponga en marcha la máquina (valor por defecto = 0, sin mensaje) para planificar un mantenimiento completo de la máquina (ver capítulo 6).  
El mensaje puede reiniciarse en los datos estadísticos (ver el capítulo 3.5).

### 3.5 Datos estadísticos

En los datos estadísticos se visualizan estadísticas de la máquina y se puede poner a cero el contador de mantenimiento.

Para acceder a los datos estadísticos, con la máquina detenida, pulse el botón de acceso al programa de mantenimiento (7) y aparecerá en pantalla "ENTER CODE - 0000". Introduzca el código "1234" utilizando los botones "aumento de temperatura" (4) para seleccionar la 1ª cifra (entre 0 y 9) y el "botón de confirmación" (6) para validar y pasar a la 2ª cifra y así sucesivamente.

- **TIEMPO TOTAL:** corresponde al tiempo, en horas, en que la máquina está encendida.
- **TIEMPO DE FUNCIONAMIENTO:** El tiempo, en horas, que la máquina está funcionando.
- **TIEMPO DE CALENTAMIENTO:** corresponde al tiempo, en horas, en que la máquina está en fase de calentamiento.
- **HORAS PREVENTIVAS:** corresponde al tiempo, en horas, desde que se programó el mantenimiento preventivo en el programa de mantenimiento (ver capítulo 3.4).
- **RESTABLECER EL CONTADOR M:** Permite poner a cero la estadística "HORAS PREVENTIVAS" seleccionando "SÍ" mediante los botones 4 y 5, validar pulsando 6 y eliminar así el mensaje de mantenimiento preventivo ("MANTENIMIENTO PREV") que aparece cada vez que se pone en marcha cuando se alcanza el número de horas definido en el programa de mantenimiento (ver el capítulo 3.4).

## 4 MANUAL TÉCNICO

### 4.1 Funcionamiento de la manivela (en caso de corte de energía)



**En el caso de un fallo de energía o de hardware** (detención de la máquina del cilindro caliente) es esencial aislar inmediatamente las bandas de planchado del cilindro.

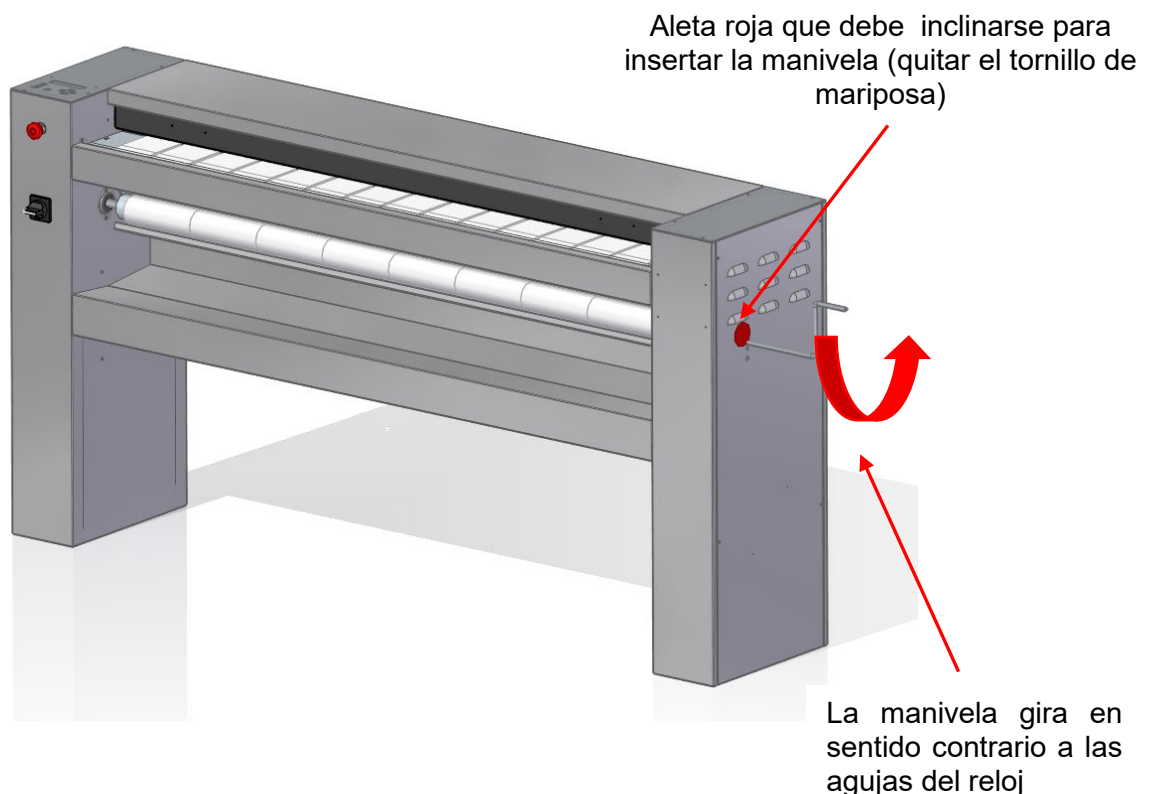
Para ello, introduzca en la máquina un paño grueso, muy húmedo y del tamaño adecuado (apenas escurrido), maniobrándolo con la manivela prevista para ello (la manivela debe ser accesible en todo momento, su posición inicial es en el panel lateral derecho de la máquina).

Enganche la manivela en el agujero del panel derecho de la máquina después de haber basculado la trampilla roja hacia arriba (para poder enganchar la manivela como se muestra a continuación). Cuando se ha basculado la trampilla hacia arriba, la máquina no puede arrancar y aparecerá una alarma si se pulsa START- STOP (Alarma 2).

Gire la manivela en sentido contrario a las agujas del reloj continuamente hasta que la tela haya pasado por la máquina varias veces y lo suficiente para enfriar y proteger el cilindro y las correas.

Se necesita un mínimo de dos personas para llevar a cabo esta manipulación **en caso de emergencia**, una o dos personas para ocuparse de la lavandería mientras otra gira la manivela.

Al retirar la manivela, la trampilla baja a su posición inicial y activa un contacto de seguridad que permite que arranque la máquina.



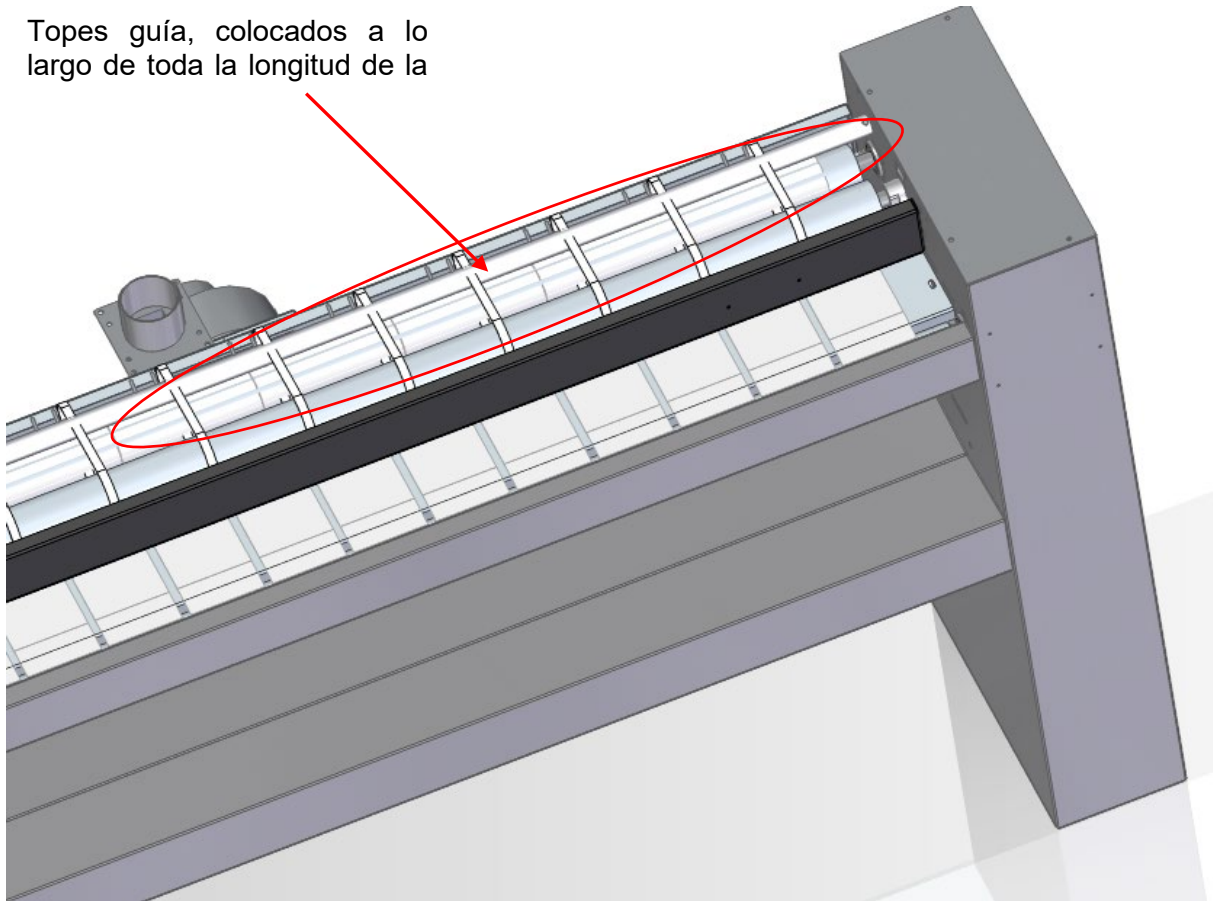


## 4.2 Sustitución de los topes guía

Los topes guía impiden que la ropa se envuelva alrededor del rodillo de presión, así que compruebe regularmente que no falta ningún tope guía. Su presencia es indispensable.

La referencia del tope guía es 12156329 (se suministra por metros).

Topes guía, colocados a lo largo de toda la longitud de la



Para acceder a los topes guía, retire los paneles superiores.

Los topes guía deben estar sujetos mediante grapas de acero inoxidable. No deben atarse con nudos (podrían quedar marcados en la ropa). No deben ser montados tensos sino ligeramente flexibles porque con el efecto del calor, el tope se encoge y se rompería rápidamente. No los estire, pues se romperán prematuramente.

## 4.3 Para prolongada y parafina

Para evitar la corrosión del cilindro, sobre todo en caso de paro prolongado (más de una semana), es necesario recubrir el cilindro con una capa de parafina. Para ello, se procede de la siguiente manera :

- Máquina detenida, cilindro ligeramente caliente (entre 110°C y 100°C en fase de regulación o enfriamiento)
- Levante los paneles superiores.
- Gire el cilindro a velocidad reducida.
- Recubra la superficie del cilindro con parafina en sucesivas pasadas para cubrir toda la superficie del cilindro.

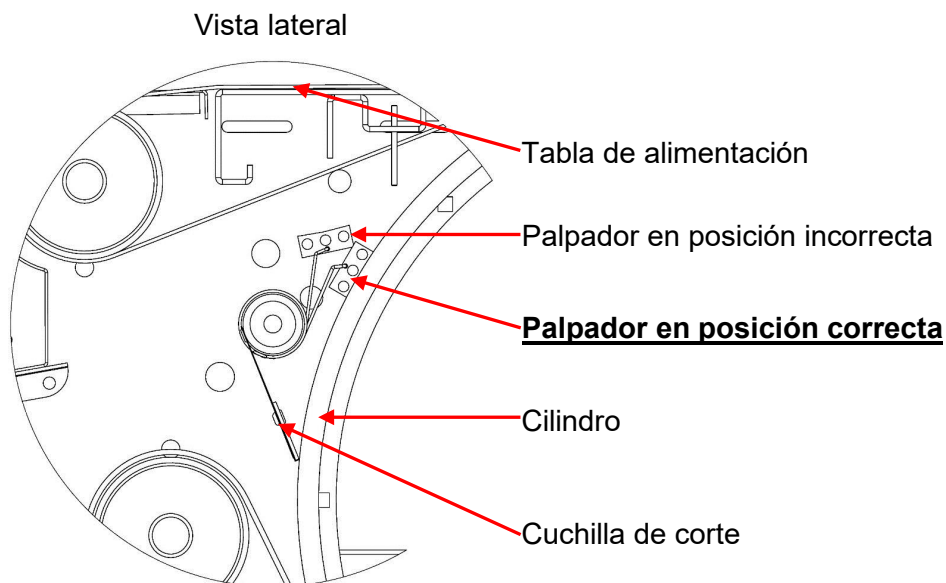
- Luego inserte un trozo liso de ropa alrededor del cilindro durante el tiempo que dure el cierre prolongado.

Referencia del bloque de parafina: 12156317

Cuando la máquina se reinicia después de un paro prolongado, la parafina se evapora de manera natural a alta temperatura. Es preferible pasar unos cuantos paños planos desgastados antes de comenzar el trabajo de producción normal para eliminar toda la parafina.

#### **4.4 Control y limpieza de los palpadores**

La máquina está equipada con 2 palpadores, chapados en el cilindro y situados debajo de la tabla de alimentación, en los que se alojan las 2 sondas de temperatura y el termostato de seguridad que regulan y garantizan la temperatura del cilindro. La posición correcta de los palpadores debe ser comprobada antes de cada puesta en marcha (máquina fría) y deben ser limpiados (pelusa) regularmente (ver capítulo 6).



## 5 ANOMALÍAS Y ALARMAS

### 5.1 Anomalías diversas

La máquina está equipada con un microprocesador que tiene alarmas, cuyos detalles se indican a continuación, para informar al usuario de diversas alarmas de funcionamiento, de seguridad o informativas. Ahora bien, pueden producirse algunas anomalías sin que la pantalla muestre una alarma, entre las que se incluyen las siguientes:

ANOMALÍAS	VERIFICACIONES
La pantalla está apagada	Verificar que el interruptor está en posición ON
	Compruebe que la corriente eléctrica llega a la máquina
	Verifique que la parada de urgencia no está conectada
	Verificar el fusible del mando F1
El cilindro gira lentamente	Debe alcanzarse la temperatura de precalentamiento de 130°C
La temperatura del cilindro no aumenta	Compruebe el termostato de seguridad de rearme manual situado en el bastidor izquierdo de la máquina. Si está conectado, no lo rearme si la temperatura del cilindro es superior a 150°C
La temperatura del cilindro es muy alta y no corresponde a la temperatura que se muestra en la pantalla	Compruebe que los palpadores están limpios y en la posición correcta
La calidad del planchado es baja	Compruebe la tensión y/o el desgaste de las bandas de planchado. Reemplácelas si fuera necesario.
	Compruebe el estado del acolchado de la prensa y reemplácelo si fuera necesario
	Compruebe la tensión y/o el desgaste de las bandas de alimentación. Reemplácelas si fuera necesario
	La temperatura y/o la velocidad no se adaptan al tipo de ropa
La máquina se sobrecalienta por un lado (las bandas están más oscuras que en el otro lado)	Asegúrese de que el flujo de la ropa se distribuye uniformemente a lo largo de toda la longitud de trabajo del cilindro (ve el capítulo 3.1)
Después de secar/planchar, a la salida de la máquina, la ropa tiene electricidad estática y se "pega" a las bandas de planchar	Durante el ciclo de lavado de la ropa, añada un suavizante con propiedades antiestáticas al último enjuague y/o reduzca el PH del agua del último enjuague a 5.
La ropa sale amarillenta	La ropa está mal enjuagada (residuos de detergente) o la temperatura del cilindro es demasiado alta.
El cilindro se blanquea	El agua utilizada para lavar la ropa tiene un alto PH (reducirlo por debajo de 14)

## 5.2 Lista de alarmas

ALARMA	DESCRIPCIÓN	CAUSA / SOLUCIÓN
<b>ALARMA 1</b>	Seguridad de la tabla (protector de dedos)	El dispositivo de seguridad de la tabla (protector de dedos) ha sido activado. Si el problema persiste, compruebe los contactos eléctricos de seguridad de la tabla en los marcos izquierdo y derecho.
<b>ALARMA 2</b>	Seguridad de la manivela	El seguro de la manivela está activado, la placa roja no está en la posición correcta. Si el problema persiste, compruebe el contacto eléctrico en el marco derecho.
<b>ALARMA 6</b>	Fallo del variador	El variador del motor del cilindro está defectuoso (visible en la pantalla del variador). Compruebe el motor de accionamiento, el cableado del variador/motor, la tensión de alimentación del variador...
<b>ALARMA 7</b>	Error del sensor de temperatura NTC1 (regulación)	El sensor de temperatura NTC1 está desconectado o defectuoso.
<b>ALARMA 8</b>	Mantenimiento preventivo	Este mensaje aparece cuando se alcanza el valor del contador de horas (definido en el programa de mantenimiento). Advierte que hay que realizar el mantenimiento preventivo de la máquina (ver capítulos 3.4 y 3.5).
<b>ALARMA 9</b>	Error de comunicación CAN	La comunicación entre la tarjeta de la pantalla (A13) y la tarjeta de relé (A10) está interrumpida o defectuosa.
<b>ALARMA 10</b>	Error de calentamiento	No se ha alcanzado la temperatura establecida tras 90 minutos de funcionamiento.
<b>ALARMA 12</b>	Sobrecalentamiento (termostato de seguridad)	Debido al calentamiento, se activó el termostato de seguridad. Es de rearme manual y está situado dentro del bastidor de izquierda.

Si persiste alguna de las alarmas, contactar con el servicio técnico de su vendedor.

## 6 MANTENIMIENTO PREVENTIVO

Un personal calificado debe realizar cualquier operación de mantenimiento.

**ANTES DE CUALQUIER OPERACIÓN DE MANTENIMIENTO, CORTAR LA ALIMENTACIÓN ELÉCTRICA DE LA MÁQUINA EN EL DISYUNTOR DE LA INSTALACIÓN Y VERIFICAR QUE NO HAY TENSIÓN.**

**ATENCIÓN, SI SE REALIZA EL MANTENIMIENTO INMEDIATAMENTE DESPUÉS DEL TRABAJO, LA MÁQUINA AÚN PUEDE TENER PARTES MUY CALIENTES, EN ESTE CASO, EXISTE UN RIESGO DE QUEMADURAS**

**DURANTE EL MANTENIMIENTO, CONVIENE EQUIPARSE CON EQUIPOS DE PROTECCIÓN INDIVIDUAL ADECUADOS (guantes, verificador de ausencia de tensión...)**

No elimine ni modifique los elementos de seguridad (ni siquiera provisionalmente). En caso de duda, contacte con el servicio técnico de su vendedor comunicándole el modelo y el número de serie de la máquina.

### NO ROCÍE NUNCA LA MÁQUINA CON AGUA

En el menú de mantenimiento se puede programar una alarma para advertir que se debe llevar a cabo un mantenimiento preventivo (ver capítulo 3.4). Esta alarma es programable por horas de funcionamiento, por lo que transcurrido el número de horas de trabajo programado, la alarma visualizará en la pantalla en cada puesta bajo tensión de la máquina hasta que se programe un nuevo programa de mantenimiento o se desactive la alarma.

A continuación se presenta un cuadro en el que se resume el mantenimiento preventivo que debe realizarse y con qué frecuencia:

Puntos de control y mantenimiento	Frecuencia (horas)
Comprobar todos los dispositivos de seguridad de la máquina: Paro de emergencia, seguridad de la tabla, seguridad de la manivela, termostato de seguridad, conexión a tierra (eléctrica).	500
Limpieza general: en el interior, en los bastidores (pelusas y grasa), turbina de ventilación, palas de extracción, palpadores, tubos de presostato	
Comprobar el estado de los palpadores y su posición (ver capítulo 4.5)	
Sustitución del juego de topes guía (Ver capítulo 4.3)	
Comprobación y ajuste de las conexiones eléctricas en el interruptor, el contactor de calentamiento y las resistencias	

Puntos de control y mantenimiento	Frecuencia (horas)
Compruebe la tensión de la cadena de transmisión (grande). Engrase muy ligeramente la cadena de transmisión (grande), la cadena del rodillo de presión (pequeña) y los piñones (ver detalles de las cadenas a continuación) con grasa líquida	1000
Compruebe visualmente el estado de las bandas de planchado, las bandas de alimentación, las bandas transportadoras de prensado y de plegado para anticipar su sustitución si fuera necesario	
Comprobar la tensión de las bandas de planchar, de las bandas de alimentación, de las bandas transportadoras, del acolchado prensador y de la plegadora. El ajuste de estos voltajes debe ser el mismo en ambos lados.	
Compruebe visualmente el estado de los rodillos laterales (x2) para anticipar su sustitución si fuera necesario.	
Limpiar el conducto de escape	

**NOTA:** La frecuencia se define sobre la base de una semana de trabajo de 40 horas. 2000 horas corresponden aproximadamente a un año.

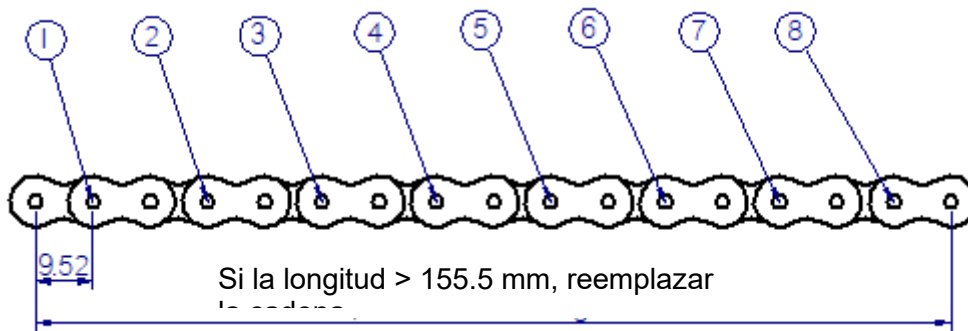
Las cadenas están equipadas con malla rápida para facilitar su desmontaje.

La cadena del satélite de accionamiento (grande) se tensa automáticamente con un piñón tensor que se debe aflojar para desmontar la máquina y apretar para volverla a montar.

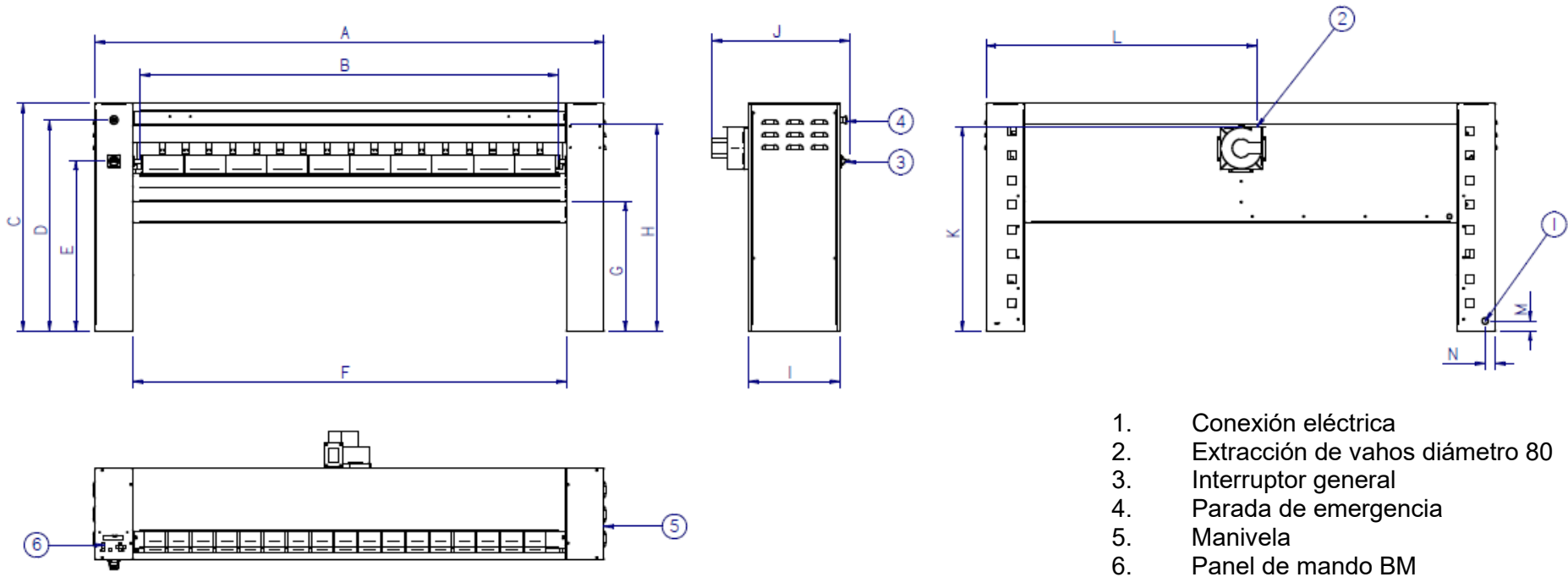
La cadena de accionamiento del satélite prensor (pequeña) no está tensa voluntariamente.

A continuación, se indica una descripción que permite determinar el estado de desgaste de las cadenas y cuándo se deben reemplazar:

**Cadenas de transmisión pequeñas y grandes (paso = 9.52 mm)**



## 7. PLANOS DE IMPLANTACIÓN



1. Conexión eléctrica
2. Extracción de vahos diámetro 80
3. Interruptor general
4. Parada de emergencia
5. Manivela
6. Panel de mando BM

Tipo	A	B	C	D	E	F	G	H	I	J	K	L	M	N
<b>PS-20/140 M</b>	1878	1470	1110	1028	830	1510	631	1006	444	666	995	1016	50	50
<b>PS-20/160 M</b>	2128	1720	1110	1028	830	1760	631	1006	444	666	995	1141	50	50
<b>PS-20/200 M</b>	2478	2070	1110	1028	830	2110	631	1006	444	666	995	1316	50	50





**MANUEL D'UTILISATION**

**SÉCHEUSES-REPASSEUSES**

PS-20/140 M

PS-20/160 M

PS-20/200 M

12314877

01/09/2022

**Fabricant / Manufacturer / Fabricante :**

**ONNERA GROUP**

Parc d'activité de Sologne, BP 19 41600 LAMOTTE BEUVRON – France  
Tél. +33 (0)2 54 88 05 76 – Fax +33 (0)2 54 96 89 04

**Type de la machine / Type of the machine / Tipo de la máquina :**

Sécheuses repasseuses, Flatwork ironers, Calandras

**Modèle. Model. Modelo**

PS-20/140 M E, PS-20/160 M E, PS-20/200 M E  
PS-35/140 M G, PS-35/160 M G, PS-35/200 M G,  
PS-35/140 M E, PS-35/160 M E, PS-35/200 M E  
PS-35/200 M PLUS E, PS-35/260 M PLUS E, PS-35/330 M PLUS E  
PS-35/200 M PLUS GR, PS-35/260 M PLUS GR, PS-35/330 M PLUS GR

*Nous déclarons sous notre responsabilité que les machines, dont le type est indiqué ci-dessus, ont été fabriquées en conformité avec les directives U.E. suivantes :*

*We herewith declare under our responsibility that the machines whose type is stated above have been manufactured in conformity with the following E.U. directives:*

*Declaramos bajo nuestra responsabilidad que las máquinas cuyo tipo se indica arriba se ha fabricado conforme a las U.E. directivas siguientes:*

- **Machine Directive 2006/42/EC (include Low voltage directive 2014/35/UE)**
- **Electromagnetic compatibility Directive 2014/30/UE**
- **RoHS II-directive 2011/65/UE**
- **Regulation (EU) 2016/426 “gas appliances” registered under No 029 M**

*Pour lesquelles nous avons suivi les normes / For what have been followed the standards / Para lo cual se han seguido las normas :*

**EN-60204-1:** Sécurité des machines - Equipements électriques des machines – Règles générales / Safety of machinery - Electrical equipment of machines -- General requirements / Seguridad de las máquinas. Equipo eléctrico de las máquinas. Requisitos generales.

**NF EN ISO 10472-1+5 :** Exigences de sécurité pour les machines de blanchisserie industrielle – Prescriptions communes + sécheuses repasseuses / Safety requirements for industrial laundry machinery. Common requirements + Flatwork ironer / Requisitos de seguridad para la maquinaria de lavandería industrial. Requisitos comunes + calandra

**EN-61000-6-2 + EN-61000-6-4 :** Compatibilité électromagnétique (CEM) - Immunité + Emission / Electromagnetic compatibility (EMC) - Immunity + Emission / Compatibilidad electromagnética (CEM). Inmunidad + Emisión

Le 06/09/2022,

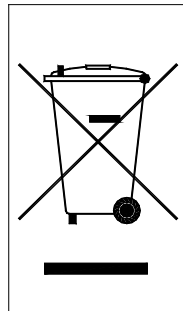
Approbateur Technique, Technical aprobator, Aprodador tecnico :

**ONNERA GROUP**  
Parc d'activités de Sologne  
3 rue Léonard de Vinci  
41600 Lamotte Beuvron France  
Tél. 0033 2 54 88 05 76  
SIRET 342 222 759 00058

Les documents techniques comportent des informations confidentielles. Nous tenons à porter à votre connaissance qu'il est interdit de dévoiler et copier ces documents et que nous engagerons des procédures contre les auteurs des dites copies.

**Traitement des appareils électriques et électroniques en fin de vie**

Ce symbole apposé sur le produit ou sur son emballage, indique que ce produit ne doit pas être traité avec les déchets ménagers. Il doit être remis à un point de collecte approprié pour le recyclage des équipements électriques et électroniques.



**NOTICE ORIGINALE**  
**SECHEUSE REPASSEUSE PS-20/ M E**

**ATTENTION**



Risque d'écrasement des doigts



Risque électrique



Risque de brûlure

## SOMMAIRE

### 1 PRINCIPE GENERAL

1.1	Introduction.....	3
1.2	Principe de fonctionnement.....	4
1.3	Sécurité .....	5
1.3.1	Sécurité protège-doigt .....	5
1.3.2	Sécurité manivelle .....	5
1.3.3	Sécurité liée au chauffage .....	5
1.4	Chauffage.....	6
1.5	Options.....	6

### 2 NOTICE TECHNIQUE D'INSTALLATION

2.1	Plaque signalétique.....	7
2.2	Installation.....	7
2.2.1	Manutention et emballage .....	7
2.2.2	Caractéristiques du local .....	8
2.2.3	Mise en place.....	8
2.2.4	Mise à niveau.....	9
2.2.5	Raccordement électrique.....	10
2.2.6	Raccordement des évacuations des buées .....	11
2.2.7	Première mise en service .....	12

### 3 NOTICE D'UTILISATION

3.1	Recommandations d'utilisation.....	13
3.2	Description du tableau de commande.....	13
3.3	Exécution d'un cycle.....	14
3.4	Menu maintenance.....	15
3.5	Menu statistiques.....	16

### 4 NOTICE TECHNIQUE

4.1	Utilisation manivelle (en cas de panne de courant).....	17
4.2	Remplacement des gallons guide.....	18
4.3	Arrêt prolongé et paraffinage (hors option nickelage) .....	18
4.4	Contrôle et nettoyage des palpeurs.....	19

### 5 ANOMALIES ET ALARMES

5.1	Anomalies diverses.....	20
5.2	Liste des alarmes.....	21

### 6 MAINTENANCE PREVENTIVE

22

### 7 PLAN D'IMPLANTATION

7.1	Plan d'implantation .....	24
-----	---------------------------	----

**FRANÇAIS**

## 1. PRINCIPE GENERAL

### 1.1. Introduction

Nous vous remercions pour la confiance que vous avez placée dans notre produit. Nous espérons qu'il réponde à vos besoins.

La garantie ne couvre pas les dommages aux composants en verre ou les consommables (joints, ampoules, textiles, etc.) ni les dommages aux matériaux d'isolation ou les dommages causés par une mauvaise installation de l'appareil ou à une utilisation inappropriée, un entretien insuffisant ou un mauvais état général.

Cet appareil est soumis à des changements et modifications suivant son progrès technique.

**AVERTISSEMENT** : Afin de réduire le risque de décharges électriques ou de blessures lors de l'utilisation de votre appareil, suivez les précautions de base, parmi lesquelles :

- 1- **LISEZ** toutes les instructions avant d'utiliser l'appareil et **RANGÉZ-LES** dans un lieu facile d'accès pour éclaircir n'importe quel doute.
- 2- Cet appareil doit être installé par un Service d'assistance technique officiel ou agréé. Une mauvaise installation, un mauvais réglage, un service ou un entretien inadéquat, de même que la manipulation incorrecte de l'appareil peuvent entraîner des dommages matériels ainsi que des blessures. Veuillez lire attentivement les instructions de ce manuel avant d'effectuer la mise en service de l'appareil. Vous trouverez des informations importantes relatives à son installation.
- 3- Une installation, un service, un entretien et/ou un nettoyage, ainsi qu'une modification incorrecte de l'appareil peuvent provoquer des dommages sur ce dernier et des blessures aux utilisateurs.
- 4- Le non-respect des règles de conduite indiquées suppose la perte de toute garantie.
- 5- Débranchez l'appareil en cas de panne ou de dysfonctionnement.
- 6- **NE PAS SECHER/REPASSER** de linge qui a auparavant été traité, lavé, trempé ou taché avec de l'essence, des dissolvants de nettoyage à sec ou d'autres substances inflammables ou explosives pouvant prendre feu ou exploser.
- 7- **NE PAS AJOUTER** d'essence, de dissolvants de nettoyage à sec ou d'autres substances inflammables dans l'eau de lavage. Ces substances émettent des vapeurs qui peuvent prendre feu ou exploser.
- 8- **NE PAS LAISSER** jouer les enfants dans ou sur l'appareil. Surveillez attentivement les enfants lorsqu'ils se trouvent près d'une machine en fonctionnement.
- 9- Cet appareil n'est pas destiné à être utilisé par des personnes (y compris des enfants) ayant des capacités physiques, sensorielles ou mentales réduites, ou manquant d'expérience et de connaissances, à moins que la personne responsable de leur utilisation n'ait supervisé ou instruit leur utilisation.
- 10- **Ne pas installer ou stocker** l'appareil à la merci des intempéries.
- 11- **Ne pas forcer** les commandes.
- 12- **Ne réparez ni ne remplacez aucune pièce** de l'appareil et ne tentez aucune intervention d'entretien, sauf recommandation contraire de la notice d'utilisation. Malgré tout, assurez-vous toujours de comprendre parfaitement les instructions et de posséder les capacités nécessaires pour réaliser cette opération.
- 13- Ne supprimez aucun dispositif de sécurité et ne modifiez aucun élément du lave-linge. **NE PAS INSTALLER** d'éléments étrangers à l'intérieur de la machine.
- 14- Le non-respect des indications décrites dans les notices d'utilisation peut provoquer des blessures. Il n'est pas possible de mentionner tous les cas et situations possibles dans les avertissements de danger. Le **sens commun**, la précaution et l'attention sont donc des facteurs qui doivent être apportés par la ou les personnes qui transportent, installent, utilisent ou entretiennent la machine.
- 15- **NE PAS** utiliser la machine si tous les couvercles et les protections ne sont pas correctement placés et fixés.
- 16- Le distributeur (vendeur) doit **OBLIGATOIREMENT** former correctement l'utilisateur pendant la mise en service.
- 17- Nettoyez quotidiennement les bacs d'engagement et de réception.
- 18- Si nécessaire, il est possible de demander cette documentation en format numérique à l'adresse [info.laundry@fagorprofessional.com](mailto:info.laundry@fagorprofessional.com) / [info@fagorprofessional.com](mailto:info@fagorprofessional.com)



## 1.2. Principe de fonctionnement

Ce type de machine est destiné à sécher et repasser uniquement du linge plat type drap ou nappe.

En déposant le linge à plat sur la tablette d'engagement à l'avant de la machine, le linge est automatiquement entraîné vers le cylindre de séchage repassage par les bandes d'engagement.

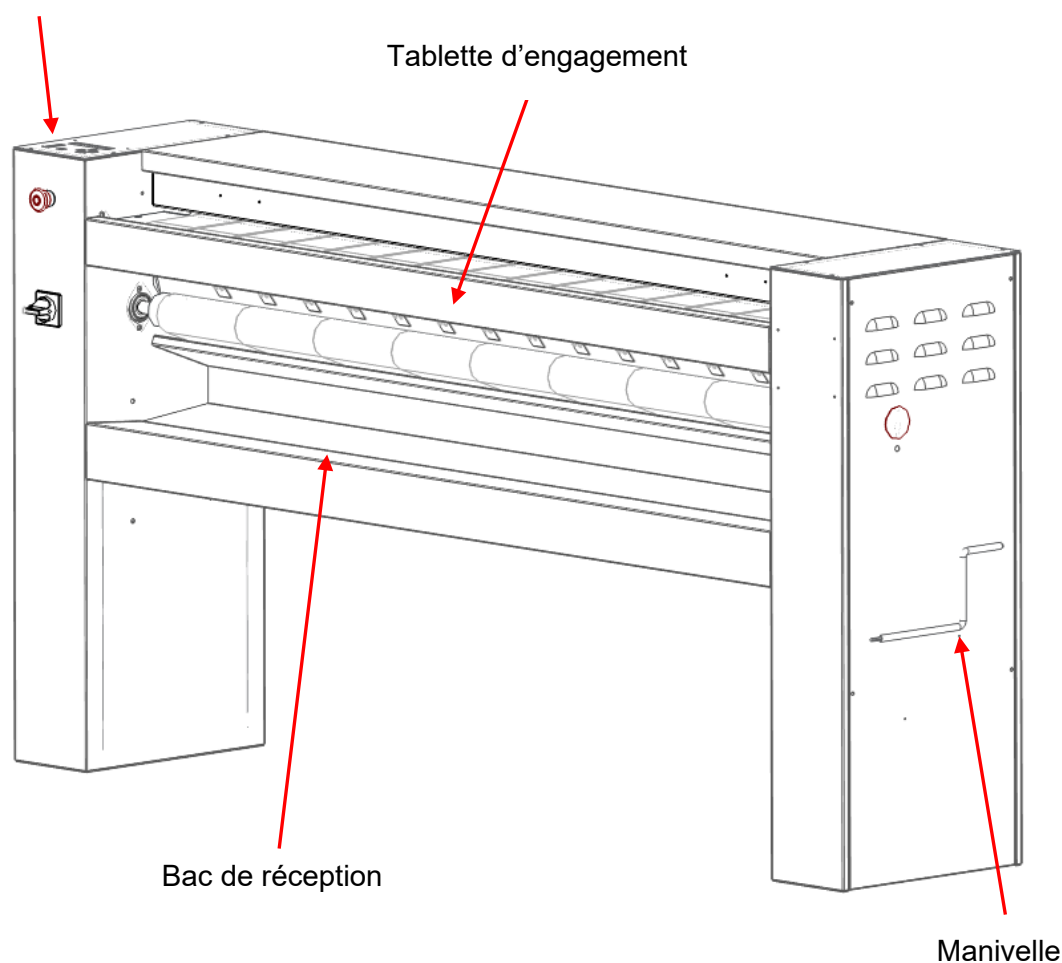
Ensuite, le passage du linge sous le rouleau presseur entouré du molleton assure un premier calandrage grâce à une pression constante et auto régulée suivant l'épaisseur du linge par un système de ressorts compensateurs.

Le séchage repassage est effectué par des bandes de qualité « Nomex » et cylindre chauffant. Une fois sec et repassé, le linge est automatiquement orienté vers le bac de réception par des lamelles métalliques ressort avec téflon, ces lamelles sont prolongées par des patins en téflon pour éviter toutes traces sur les bandes.

Le linge ressort ainsi, sec, repassé et parfaitement calandré pour une tenue et une présentation irréprochable.

La commande de la machine se fait à l'aide d'un tableau de commande permettant la vitesse et la température ainsi que différents paramètres.

Tableau de commande



Type Machine	PS-20/140 M	PS-20/160 M	PS-20/200 M
Production théorique (kg/h)	10-12	13-15	19-21
Ø Cylindre (mm)	200	200	200
Largeur utile (mm)	1400	1600	2000
Vitesse de travail (m/min)	1.5-6	1.5-6	1.5-6
Hauteur de chargement en mm	990	990	990
Niveau sonore (dB)	63	63	63
Capacité d'évaporation (l/h)	8-10	10-12	12-14

### 1.3. **Sécurité**

En plus de l'arrêt d'urgence situé à proximité du tableau de commande, la sècheuse repasseuse est équipée d'autres sécurités décrites ci-dessous :

#### 1.3.1. **Sécurité protège-doigt**

La sécurité de l'opérateur est assurée par une plaque (tablette de sécurité) située juste après la tablette d'engagement empêchant ainsi l'avancée trop lointaine des mains de l'opérateur et ainsi empêchant la brûlure ou l'écrasement des doigts.

Un léger contact sur cette plaque de sécurité provoque l'arrêt immédiat de la machine en affichant une alarme sur le tableau de commande. Cette tablette de sécurité peut être considérée comme l'arrêt d'urgence principal de la machine (utilisable sur toute la longueur). L'espace entre la tablette d'engagement et la tablette de sécurité est de 8mm, cette distance ne doit pas être modifiée.

#### 1.3.2. **Sécurité manivelle**

En cas d'utilisation de la manivelle (voir chapitre 4.1), il est nécessaire de retirer la plaque rouge située sur le côté droit pour insérer la manivelle et ainsi tourner manuellement le cylindre (dans le cas d'une coupure de courant et que la machine est à haute température). Cette action, par sécurité, arrête immédiatement la machine et affiche une alarme sur le tableau de commande.

#### 1.3.3. **Sécurité liée au chauffage**

La machine est équipée d'un thermostat de sécurité placé sur le cylindre (dans un des deux palpeurs) dont le réarmement manuel est situé à l'intérieur du bâti gauche qui se déclenche si la température du cylindre est supérieure à 205°C. L'enclenchement du thermostat provoque une alarme visible sur le tableau de commande. **NE PAS REARMER LE THERMOSTAT** si la température excède 150°C à l'affichage, attendre le refroidissement du cylindre.

Dans les palpeurs sont également placées deux sondes de température, une de régulation et une de sécurité affichant également une alarme si l'une des deux sondes mesure une température supérieure à 205°C.



## 1.4. Chauffage

**Chauffage électrique** : assuré par résistances blindées (nombre de résistances variable en fonction du type de machine) placées à l'intérieur du cylindre.

Type Machine	PS-20/140 M	PS-20/160 M	PS-20/200 M
Nombre résistances	3	3	3
Puissance de la résistance (KW)	3.5	4	5
Puissance TOTALE (KW)	10.5	12	15

## 1.5. Options

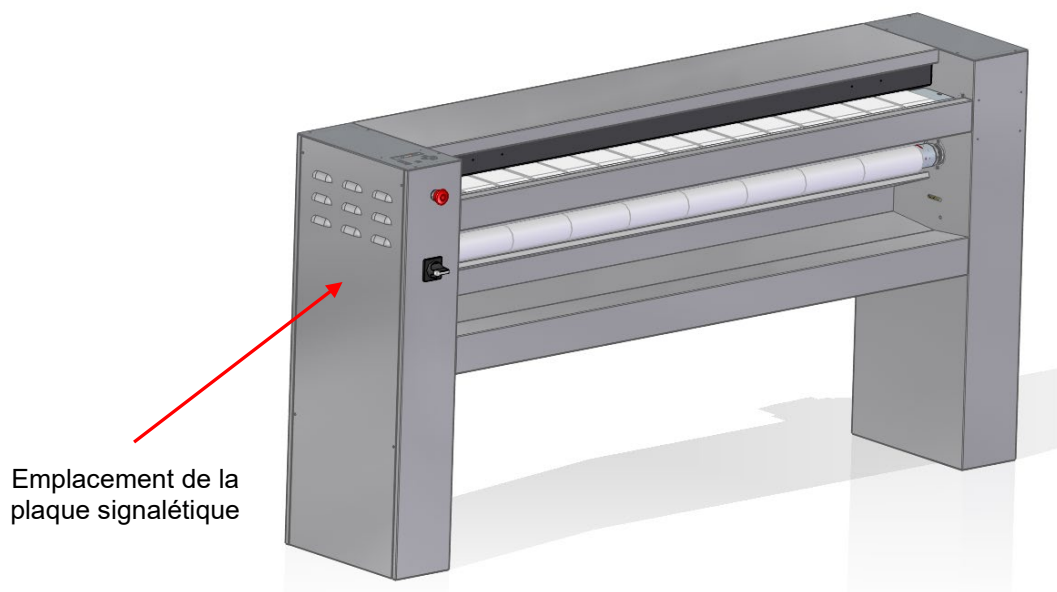
- **Tensions** : En standard, la tension d'alimentation est 400V 3P + T + N 50HZ, en option, les tensions suivantes sont disponibles :
  - 230V 3P + T 50 HZ
  - 230V 3P + T 60 HZ
  - 440V 3P + T 50 HZ (tension marine)
  - 440V 3P + T 60 HZ (tension marine)

## 2. NOTICE TECHNIQUE D'INSTALLATION

### 2.1. Plaque signalétique

La plaque signalétique de cet appareil est située sur le panneau de gauche. Elle indique :

- Type du matériel et numéro de série
- Caractéristique électrique (Tension, puissances, protection)
- Puissance totale



### 2.2. Installation



**Attention** : la machine doit être installée, réglée et mise en route uniquement par une équipe de techniciens de la société constructrice ou par des techniciens ou revendeurs ayant reçu l'agrément de la société.

De même, la présence du client est vivement recommandée, notamment pour la mise en place et lors des premiers essais.

L'appareil doit être installé conformément aux réglementations et normes en vigueur, dans un local suffisamment aéré, propre et bien rangé avant, pendant et après l'installation. Les déchets éventuels doivent être évacués dans les contenants adaptés.

#### 2.2.1. Manutention et emballage

A la livraison, la machine doit être en parfait état, l'emballage ne doit pas être incomplet ou détérioré. Respecter les indications figurant sur le colis (par exemple fragile, haut et bas, craint la pluie ...). La machine ayant un poids assez important et des dimensions imposantes (voir tableau ci-dessous) prévoir des moyens de levage et de manutention convenables pour agir en toute sécurité.

La machine doit être manipulée à l'aide d'un chariot élévateur de capacité suffisante, les fourches du chariot doivent être écartées au maximum pour éviter le renversement.

Etant relativement longue, la machine devra être, très souvent, déchargée par le côté d'un camion à remorque à ouverture latérale (bâche).

Il est impératif de prendre la machine en son centre (centre de gravité dans l'axe).  
Ne pas renverser ou faire tomber la machine lors du déchargement par exemple.

**Nota :** en cas d'élingage (non prévu et **fortement déconseillé**) la manipulation se fera sous l'entière responsabilité du manutentionnaire (**risque de déformation de la machine**).

	DIMENSIONS en mm		POIDS (KG)		Volume (m3) Emb.
	(Largeur x Profondeur x hauteur)		sans emballage	avec emballage	
	hors tout	avec emballage			
<b>PS-20/140 M</b>	1878x666x1110	2130x770x1400	180	220	2.3
<b>PS-20/160 M</b>	2128x666x1110	2340x770x1400	203	240	2.52
<b>PS-20/200 M</b>	2478x666x1110	2780x770x1400	237	275	3

### 2.2.2. Caractéristiques du local

- La machine doit être installée dans un local très bien aéré avec un éclairage correct et une température ambiante comprise entre + 10°C et + 40°C (température limite pour le variateur électronique de fréquence du moteur d'entraînement).
- Afin d'atteindre les performances optimales de la machine, vous devez vous assurer que de l'air frais pénètre depuis l'extérieur de la pièce, au plus près de celle-ci. La section d'entrée d'air frais doit être au minimum 4 fois supérieure à la section du tuyau de sortie, selon les modèles, il peut y avoir deux tuyaux d'évacuation de sortie.  
**Remarque :** la section d'entrée d'air frais équivaut à la section par laquelle l'air peut se déplacer sans résistances due à la grille installée à l'entrée même. Il faut tenir compte que souvent les barreaux de la grille occupent une grande partie de la section de la grille.

Un espace suffisant doit être respecté autour de la machine pour permettre un bon fonctionnement :

- 10 cm minimum à l'arrière comprenant le .
- 60 à 80 cm de chaque côté pour l'entretien et la maintenance.
- Un espace nécessaire à l'avant doit être laissé libre pour permettre à l'opérateur un travail correct et sans danger.

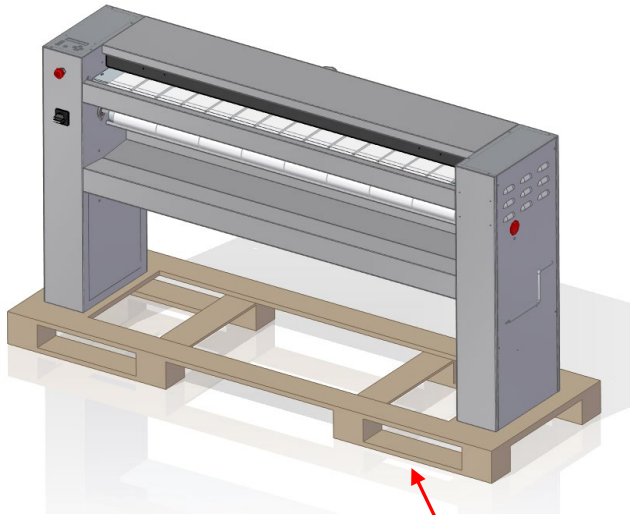
Une résistance du sol minimum est requise pour l'implantation d'une telle machine (voir tableau ci-dessous).

Type Machine	PS-20/140 M	PS-20/160 M	PS-20/200 M
Poids (KG)	180	203	237
Surface au sol (m <sup>2</sup> )	1.25	1.4	1.65
Effort statique (daN/m <sup>2</sup> )	692	780	911

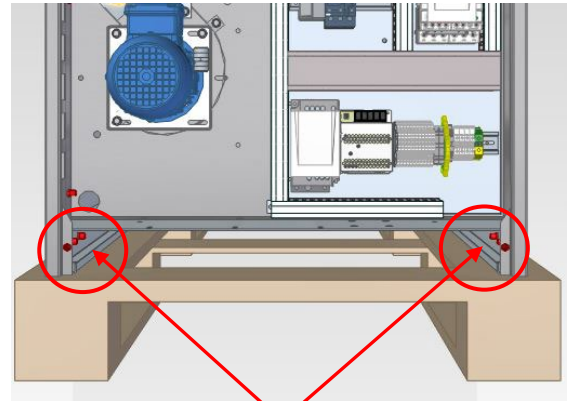
### 2.2.3. Mise en place

Avant de retirer les éléments de transports (palette et chevrons), amener la machine au plus près de son installation définitive.

La sécheuse repasseuse est livrée sur une palette qui est fixée au 4 coins de la machine par 4 vis. Pour accéder aux vis et les retirer, il est nécessaire de retirer les panneaux latéraux.



Palette



Position des vis (vue du côté gauche)

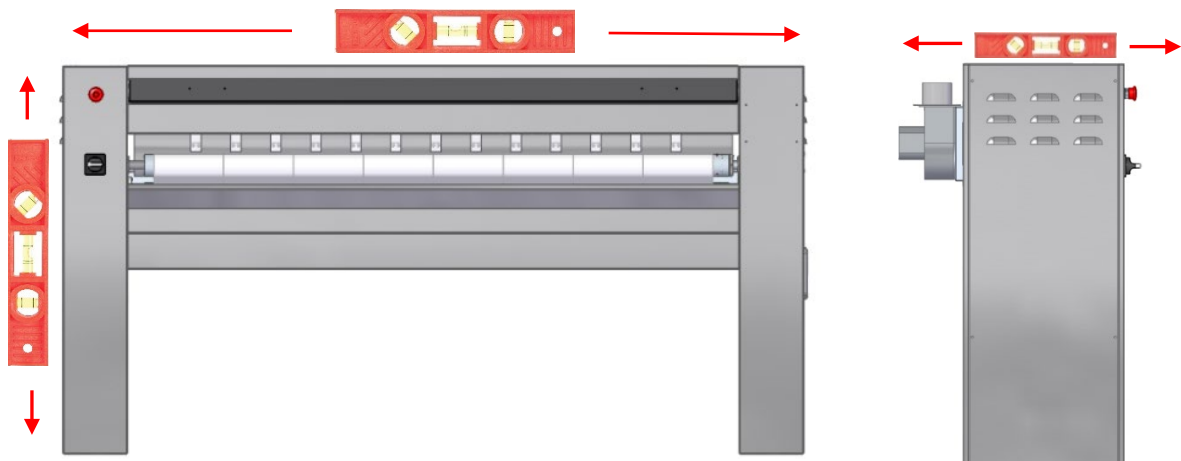
Après avoir retiré les 4 vis, retirer la palette et poser la machine délicatement au sol.

#### 2.2.4 Mise à niveau



**La parfaite mise à niveau horizontale et verticale de la machine est impérative pour un bon fonctionnement.**

Si nécessaire, ajouter des cales sous la machine.



**Un mauvais niveau entrainerait une force de déplacement latéral (gauche ou droite) des bandes de repassage augmentant ainsi fortement l'usure de celles-ci.**

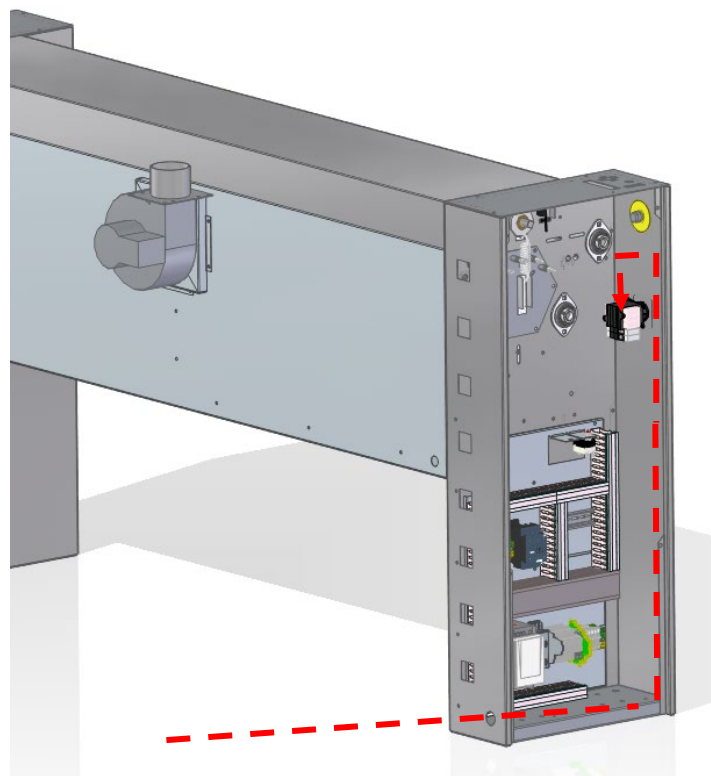
### 2.2.5 Raccordement électrique

Le câble d'alimentation électrique n'est pas fourni.

La machine doit être raccordée électriquement par un câble électrique ayant les caractéristiques définies dans les tableaux ci-dessous et protégée par un **disjoncteur différentiel 300 mA ou 30 mA SI (Super immunisé)**. Le câble électrique ne doit pas être connecté sur prise et il faut prévoir au moins 50 cm de mou dans la machine pour raccorder le câble directement au sectionneur dans la machine, il doit avoir une distance maximale de 3 mètres entre le raccordement au sectionneur et le dispositif de protection (disjoncteur).

L'installation électrique doit être conforme aux normes en vigueur. S'assurer que la tension d'alimentation corresponde aux données techniques indiquées sur la plaque signalétique située à l'arrière de la machine (voir chapitre 2.1).

**La mise à la terre doit être absolument raccordée correctement pour garantir la sécurité des utilisateurs et un bon fonctionnement.**



Le câble électrique doit être raccordé sur le sectionneur situé dans le bâti gauche. Le câble d'alimentation électrique doit passer par l'arrière de la machine par l'un des trous du bâti, comme indiqué ci-dessus.

<b>Caractéristiques électriques</b>				
		<b>PS-20/140 M</b>	<b>PS-20/160 M</b>	<b>PS-20/200 M</b>
Puissance moteur (KW)		0.37	0.37	0.37
Puissance chauffage (KW)		10.5	12	18
Puissance totale (KW)		10.87	12.37	18.37
Tension d'alimentation				
Protection (A)	400V 3P + N + T	20	20	32
	230V 3P + T	32	40	50
Section de câble (mm <sup>2</sup> )	400V 3P + N + T	5G4mm <sup>2</sup>	5G4mm <sup>2</sup>	5G6mm <sup>2</sup>
	230V 3P + T	4G6mm <sup>2</sup>	4G10mm <sup>2</sup>	4G10mm <sup>2</sup>

### 2.2.6 Raccordement de l'évacuation des buées

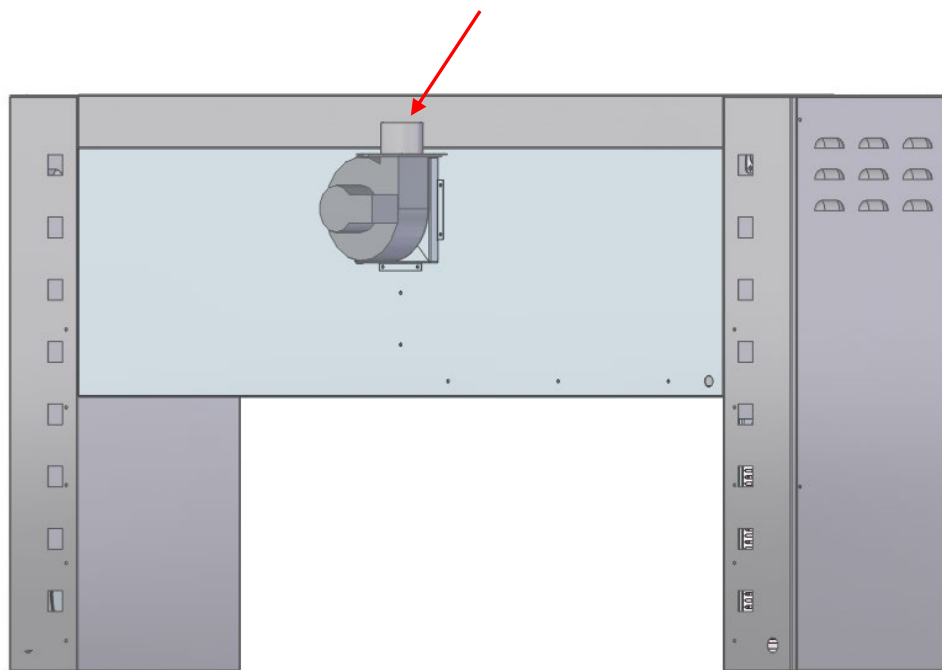
Le raccordement des buées vers l'extérieur est **obligatoire** (le conduit d'évacuation n'est pas fourni). L'air évacué doit être conduit en dehors du lieu de travail et ne doit jamais être relié à d'autres cheminées, déjà utilisés pour extraire la fumée d'autres équipements.

L'emplacement de ces conduits doit être dans les limites établies dans la législation thermique environnementale. Le tuyau utilisé doit être rigide et métallique et résister à la température (150°C) et ne doit jamais passer trop près de matériaux inflammables ou susceptibles de se déformer par excès de température.

L'intérieur du tuyau doit être lisse afin de ne pas perturber la trajectoire de l'air ou comporter des éléments sur lesquels peuvent s'accumuler les peluches (vis, rivets, etc...).

Il est recommandé de prévoir des trappes de visite dans le conduit dans le but de faciliter le nettoyage périodique du conduit.

Raccordement des buées  
en Ø83 mm (sur le dessus)



Le conduit de sortie doit être le plus court possible. Il ne doit pas **dépasser 5 mètres**, avoir plus de **2 coudes à 90°** et devrait avoir une pente de 2% vers l'extérieur dans les sections horizontales, pour empêcher l'écoulement du condensat vers la machine, et doit être muni d'un **clapet anti-retour**.

- Dans le cas où le conduit d'évacuation doit dépasser plus de 5 mètres et 2 coudes, il est recommandé d'augmenter le diamètre du conduit d'évacuation ou d'ajouter un moteur d'extraction dans le conduit.

Le dimensionnement de ce moteur d'extraction doit être effectué par une société spécialisée dans le traitement de l'air selon les indications suivantes :

- Puissance du moteur de ventilation : 0,09 KW
- Débit d'extraction : 300 m<sup>3</sup>/h
- Perte de charge en sortie de ventilateur : 30 Pa

### **2.2.7 Première mise en service**

Après s'être assuré que la machine est installée conformément aux recommandations de ce manuel (mise à niveau, raccordement électrique), procéder à la mise en route de la sècheuse repasseuse :

- Tourner le sectionneur situé à l'arrière de la machine, côté gauche, en position 1.
- S'assurer que le bouton d'arrêt d'urgence n'est pas enclenché
- Appuyer sur START pour retirer le papier paraffiné enroulé autour du cylindre.
- S'assurer que les palpeurs sont en bonnes positions avant et juste après le 1<sup>er</sup> démarrage de la machine car il pourrait mal se positionner à cause de la paraffine appliquée d'usine pour protéger la corrosion du cylindre (voir chapitre 4.4).
- Vérifier que la machine fonctionne correctement (en cas d'anomalie, se référer au chapitre 5).
- Procéder à la formation à l'utilisation du personnel utilisateur comme indiqué au chapitre 3.



### 3 NOTICE D'UTILISATION

#### 3.1 Recommandations d'utilisation

La sècheuse repasseuse dispose d'un tableau de commande permettant notamment d'ajuster la température et la vitesse du cylindre, celles-ci doivent être adaptées en fonction du type de linge qui doit être à sécher et repasser.

Ces deux paramètres (température et vitesse) doivent être adaptés par l'utilisateur en fonction du type de linge plat à sécher et repasser. Si à la sortie, le linge est encore humide, il convient d'augmenter la température et/ou réduire la vitesse. A l'inverse, diminuer la température et/ou la vitesse si le linge ressort très raide ou légèrement jauni (signes de surchauffe).

Le linge doit contenir une humidité relative comprise entre **25% et 50%**.

La température maximale de réglage est 180°C.

Engager la pièce de linge dans la machine en la posant sur la tablette d'engagement (un bon engagement du linge, linge aplati et bien étiré entrainera une meilleure qualité de repassage).

Pour les grandes pièces de linge, le travail se fait à deux personnes, debout face à la machine. Chaque personne doit tenir une extrémité du linge et l'engager ensemble en même temps

La hauteur de chargement et l'inclinaison de la tablette d'engagement permettent une parfaite ergonomie, éliminant ainsi les troubles musculosquelettiques liés à ce poste de travail.

Le linge sera automatiquement entraîné pour être séché et repassé, il pourra être récupéré dans le bac de réception ou convoyé vers la sortie avant ou arrière dans le cas d'une machine équipée de l'option plieuse.

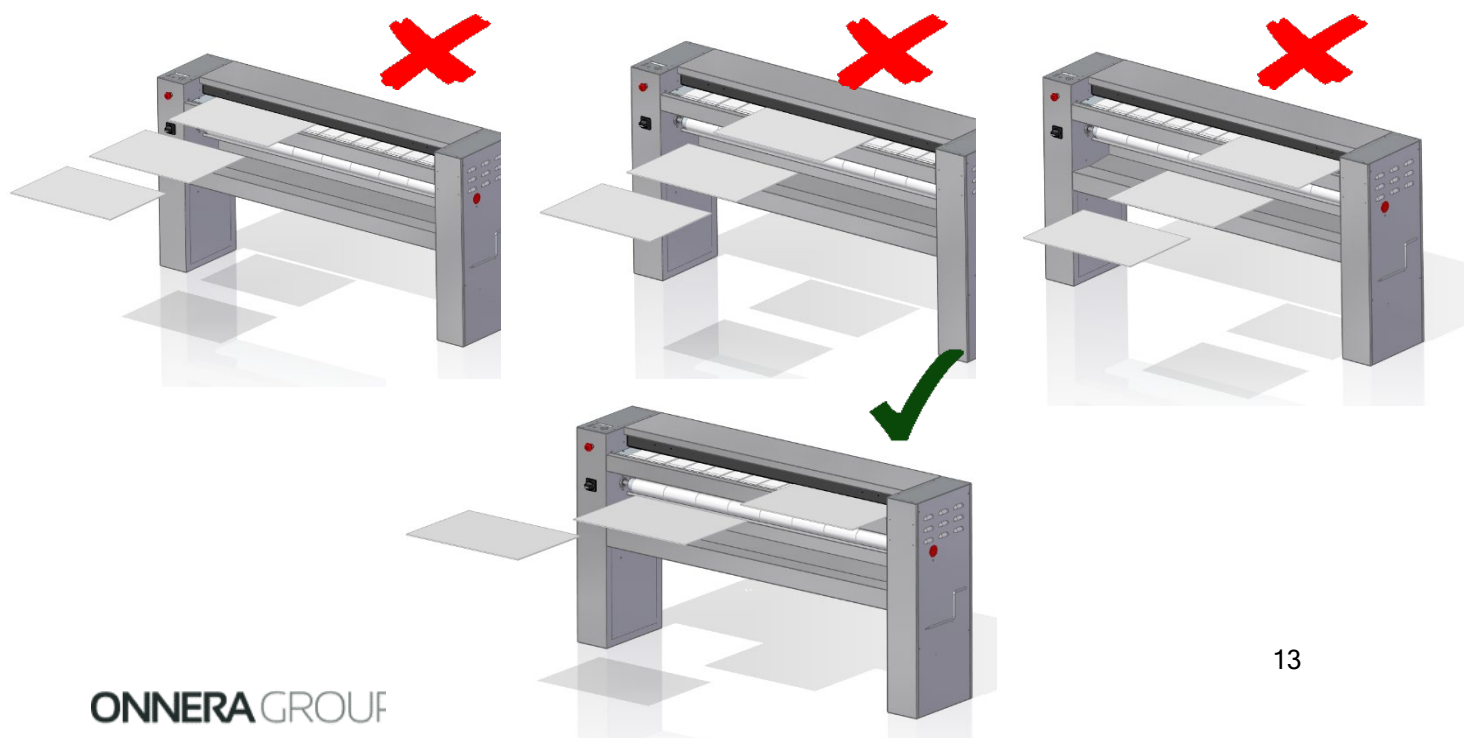
Une option (mode automatique) permet d'ajuster automatiquement la vitesse du cylindre en fonction du taux d'humidité résiduelle détectée dans le linge.

Le linge doit être plat (sans boutons, fermetures, boutons-pressions, boucles, etc.), ne doit pas être plié avant d'être engagé dans la machine pour une qualité optimale et ne doit pas avoir une épaisseur supérieure à 8 mm.

Afin de limiter au maximum l'inertie de chauffe, il est conseillé de commencer le travail lorsque la température est légèrement inférieure à la température de consigne.

Si un arrêt de production est supérieur à 15 minutes, il est conseillé d'appuyer sur STOP afin de passer la machine en phase de refroidissement et ainsi limiter la consommation d'énergie inutile. Appuyer de nouveau sur START pour reprendre le travail et redémarrer le chauffage de la machine.

Dans le cas du repassage de petites pièces de linge plat, il est indispensable de travailler successivement sur toute la longueur de repassage, afin d'obtenir un travail régulier et une meilleure longévité des bandes de repassage qui risqueraient de se détériorer rapidement.



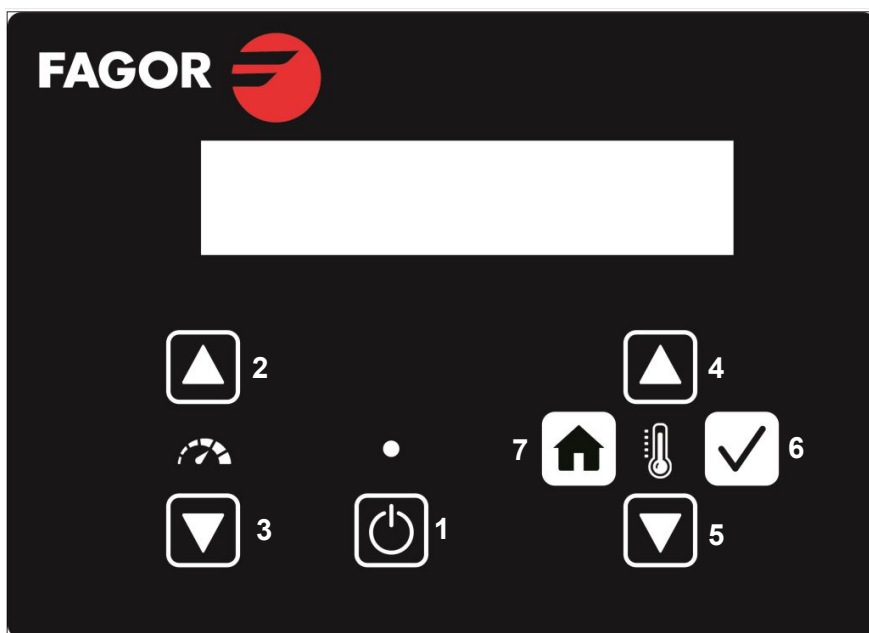


**IMPORTANT** : La machine ne doit pas être arrêtée à haute température, appuyer sur le bouton « START-STOP » (1) pour passer en phase de refroidissement, elle s'arrêtera automatiquement lorsque la température aura atteint **80°C**. Ne pas arrêter la machine en appuyant sur l'arrêt d'urgence qui ne doit être utilisé qu'en cas d'extrême nécessité.

### 3.2 Description du tableau de commande

Alimentez la machine électriquement en actionnant l'interrupteur général situé à l'arrière droite de la machine (l'arrêt d'urgence ne doit pas être enclenché).

A la mise en route et pour quelques secondes, l'écran indique la version du microprocesseur et ensuite il indique « PRESS START ».



- 1- Bouton « START-STOP »
- 2- Augmentation de la vitesse de repassage
- 3- Diminution de la vitesse de repassage
- 4- Augmentation de la température
- 5- Diminution de la température
- 6- Bouton de validation
- 7- Bouton d'accès au menu maintenance (réservé aux services techniques)

### 3.3 Exécution d'un cycle

En appuyant directement sur le bouton « START-STOP », la sècheuse repasseuse démarre selon les vitesses et températures du dernier cycle effectué.

A noter qu'au démarrage, la machine est en préchauffage jusqu'à 130°C (paramètre modifiable) à vitesse réduite (3m/min) et la vitesse n'est pas modifiable durant cette phase.

De plus, pour les machines à chauffage électrique, les moteurs de ventilations ne s'activent que lorsque la moitié de la température de consigne est atteinte.

En cours de fonctionnement, l'écran indique la température réelle du cylindre et la vitesse de rotation du cylindre (écran d'exécution), il est possible de modifier ces paramètres à l'aide des boutons correspondants.

En appuyant sur l'un des deux boutons de réglage de la vitesse (2 et 3), la vitesse évolue de 0.5 en 0.5 m/min de 1.5 à 6 m/min.

En appuyant sur l'un des deux boutons de réglage de la température (4 et 5), l'écran indique « TEMPERATURE SET » ainsi que la température de consigne qui peut être ajuster de 1°C à 180°C. Après avoir ajusté la température de consigne, appuyer sur le bouton de validation (6) pour valider la température de consigne et revenir à l'écran d'exécution.

A l'arrêt, il est possible de choisir le mode de fonctionnement en appuyant sur les flèches de gestion de la température (4 et 5) :

- **Mode manuel** : l'opérateur définit lui-même la vitesse de repassage
- **Mode automatique** : la vitesse est adaptée en fonction de l'évolution de la température (par exemple, en fonction de la charge, la vitesse diminue si la température chute rapidement).

En appuyant sur STOP, le programme bascule en phase de refroidissement (si la température du cylindre est supérieure à 80°C) et la machine s'arrêtera automatiquement lorsque la température aura atteint 80°C.

Il est possible de redémarrer à tout moment en phase de refroidissement.

Si la température du cylindre est inférieure à 80°C, en appuyant sur « START-STOP » (1) la machine s'arrête instantanément sans phase de refroidissement.

### 3.4 Menu maintenance

Le menu maintenance permet d'ajuster certains paramètres liés au fonctionnement de la machine.

Pour accéder au menu maintenance, machine à l'arrêt, appuyer sur le bouton d'accès au menu maintenance (7) afin d'afficher « ENTER CODE - 0000 » à l'écran. Entrer le code « 1111 » à l'aide des touches « augmentation de la température » (4) pour choisir le 1er chiffre (entre 0 et 9) et le « bouton de validation » (6) pour valider et passer au 2<sup>ème</sup> chiffre et ainsi de suite.

#### Liste des paramètres :

Les valeurs sont modifiables à l'aide des boutons 4 et 5 à valider en appuyant sur le bouton de validation (6).

- **MAX TEMP** : Température de consigne maximum correspondant à la température maximum de consigne réglable par l'utilisateur. Réglable de 100°C à 180°C (valeur par défaut = 180°C)
- **PREHEATING** : Température de préchauffage réglable de 20°C à 180°C (valeur par défaut = 130°C).
- **COOL DOWN TEMP** : Température de refroidissement à laquelle la machine s'arrête automatiquement. Réglable de 60°C à 105°C (valeur par défaut = 80°C)
- **PREVENTIVE MAINTENANCE** : Il est possible de programmer un temps en heures et lorsque ce temps de fonctionnement est atteint, un message apparaît à chaque mise en route de la machine (valeur par défaut = 0, pas de message) dans le but de planifier un entretien complet sur la machine (voir chapitre 6).  
Le message peut être réinitialisé dans le menu des statistiques (Voir chapitre 3.5).

### 3.5 Menu statistiques

Le menu statistiques permet de visualiser quelques statistiques de la machine et de réinitialiser le compteur de maintenance.

Pour accéder au menu statistiques, machine à l'arrêt, appuyer sur le bouton d'accès au menu maintenance (7) afin d'afficher « ENTER CODE - 0000 » à l'écran. Entrer le code « 1234 » à l'aide des touches « augmentation de la température » (4) pour choisir le 1er chiffre (entre 0 et 9) et le « bouton de validation » (6) pour valider et passer au 2<sup>ème</sup> chiffre et ainsi de suite.

- **TOTAL TIME** : correspondant au temps, en heure, dans lequel la machine est sous tension.
- **RUN TIME** : correspondant au temps, en heure, dans lequel la machine est en cours d'exécution.
- **HEAT TIME** : correspondant au temps, en heure, dans lequel la machine est en phase de chauffage.
- **PREVENTIVE HOURS** : correspondant au temps, en heure, à partir du moment où la maintenance préventive a été programmée dans le menu maintenance (voir chapitre 3.4).
- **RESET COUNTER M** : Permet de réinitialiser la statistique « PREVENTIVE HOURS » en choisissant « YES » à l'aide des boutons 4 et 5, valider en appuyant sur 6 et ainsi supprimer le message de maintenance préventive (« PREV MAINTENANCE ») qui apparait à chaque mise en route lorsque le nombre d'heures définies dans le menu maintenance (voir chapitre 3.4) est atteint.

## 4 NOTICE TECHNIQUE

### 4.1 Utilisation manivelle (en cas de panne de courant)



**En cas de panne de courant ou de panne matériel** (arrêt de la machine cylindre chaud) il est indispensable d'immédiatement isoler les bandes de repassage du cylindre.

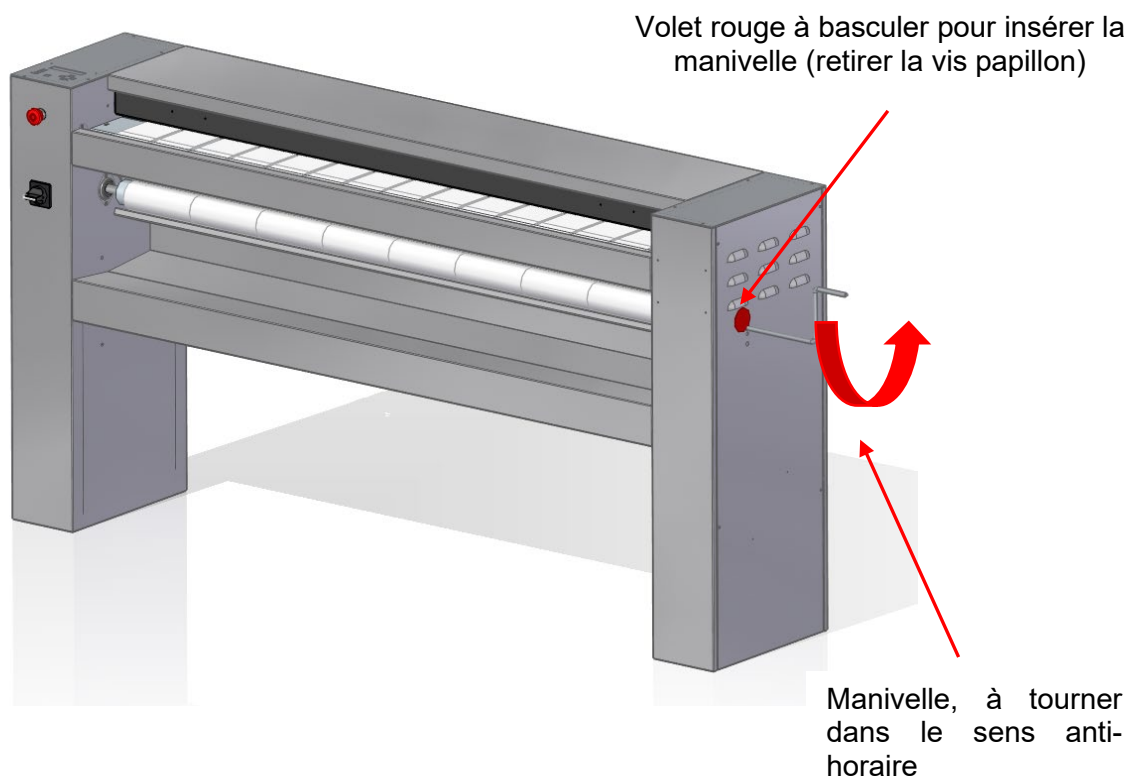
Pour cela, engager une toile épaisse très humide dimensionnée correctement (à peine essorée) dans la machine en manœuvrant celle-ci à l'aide de la manivelle fournie à cet effet (La manivelle doit être accessible à tout moment, sa position initiale est sur le panneau côté droit de la machine).

Engager la manivelle dans l'orifice situé dans le panneau droit de la machine après avoir basculé le volet rouge vers le haut (afin de pouvoir engager la manivelle comme indiqué ci-dessous). Lorsque le volet rouge est basculé vers le haut, la machine ne peut pas démarrer et une alarme apparaît si impulsion sur START-STOP (Alarme 2).

Tourner la manivelle dans le sens anti-horaire continuellement jusqu'à ce que la toile soit passée plusieurs fois dans la machine et suffisamment pour que le cylindre et les bandes soient refroidies et protégés.

Deux personnes, minimum, sont nécessaires pour effectuer cette manipulation **en cas d'urgence**, une ou deux personnes pour engager le linge pendant qu'une autre tourne la manivelle.

En retirant la manivelle, le volet bascule dans sa position initiale vers le bas et actionne un contact de sécurité qui autorise la mise en marche de la machine.

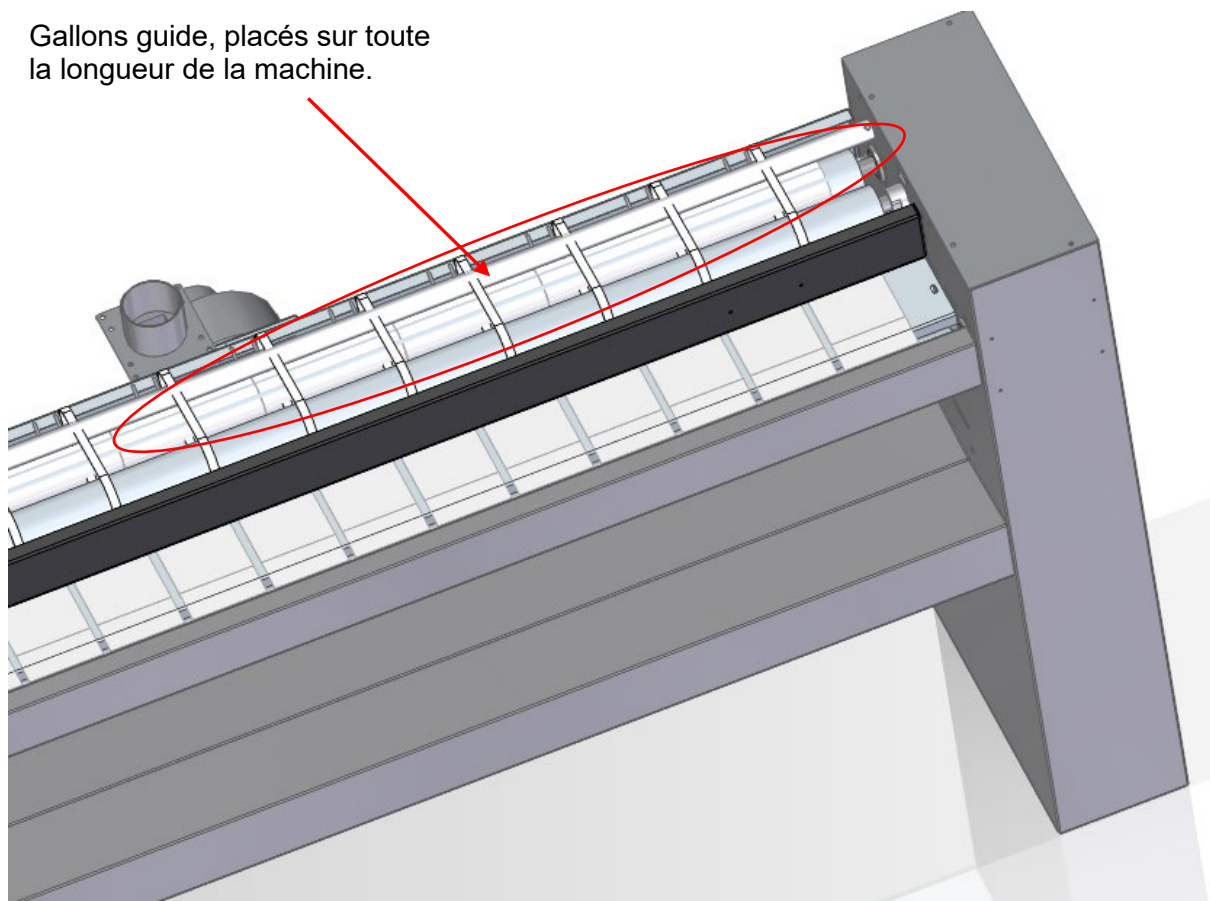


## 4.2 Remplacement des gallons guide

Les gallons guide permettent d'empêcher le linge de s'entourer autour du rouleau presseur, il convient de vérifier régulièrement qu'il n'y a aucun gallon guide manquant. Leur présence est indispensable.

La référence des Gallons guide est 12156329 (fourni au mètre).

Gallons guide, placés sur toute la longueur de la machine.



Pour accéder aux gallons guide, retirer le panneau de dessus.

Les gallons doivent être attachées avec des agrafes inoxydables et ne doivent pas être attachées avec des nœuds (cela pourrait marquer le linge). Ils ne doivent pas être montés tendus mais légèrement flexible car avec l'effet de la chaleur, le gallon se rétracte et risque de casser rapidement. Ne surtout pas les tendre, cela entraînerait leur rupture prématurément.

## 4.3 Arrêt prolongé et paraffinage

Pour prévenir la corrosion du cylindre, notamment en cas d'arrêt prolongé (au-delà d'1 semaine, il est nécessaire d'enduire le cylindre d'une couche de paraffine ; pour ce faire procéder comme suit :

- Machine à l'arrêt, cylindre légèrement chaud (entre 110°C et 100°C en régulation ou en phase de refroidissement)
- Soulever les panneaux de dessus.
- Faire tourner le cylindre à vitesse réduite.

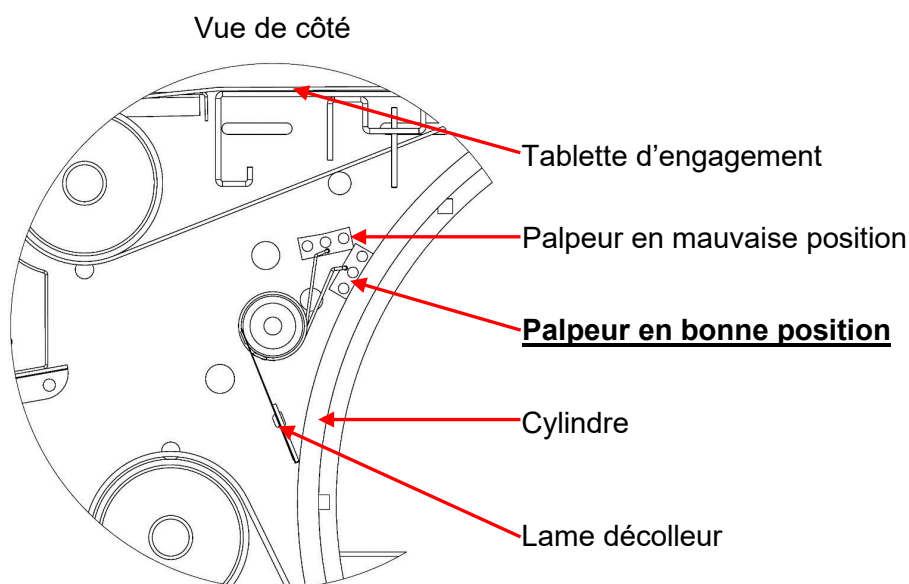
- Enduire la surface du cylindre de paraffine sur le cylindre en procédant par passages successifs de manière à enduire toute la surface du cylindre.
- Puis insérer une pièce de linge plat autour du cylindre le temps de l'arrêt prolongé.

Référence du bloc de paraffine : 12156317

Au redémarrage de la machine après l'arrêt prolongé, la paraffine s'évapore naturellement à haute température. Cependant il est préférable de passer quelques linges plats usés avant de démarrer le travail normal de production dans le but d'éliminer l'ensemble de la paraffine.

#### 4.4 Contrôle et nettoyage des palpeurs

La machine est équipée de 2 palpeurs, plaqués sur le cylindre et situés sous la tablette d'engagement, dans lesquels sont logés les 2 sondes de températures et le thermostat de sécurité qui permettent de réguler et sécuriser la température du cylindre. La bonne position des palpeurs doit être vérifié avant chaque mise en route (machine froide) et ils doivent être nettoyés (peluches de linge) régulièrement (Voir chapitre 6).





## 5 ANOMALIES ET ALARMES

### 5.1 Anomalies diverses

La machine est équipée d'un microprocesseur qui dispose d'alarmes dont les détails sont indiqués ci-dessous permettant d'informer l'utilisateur de différents problèmes de fonctionnement, de sécurité ou d'alarmes informatives. Cependant, certaines anomalies peuvent se produire sans que l'écran ne puisse afficher une alarme dont voici une liste non exhaustive :

ANOMALIES	VERIFICATIONS
L'écran est éteint	Vérifier que le sectionneur est en position "I"
	Vérifier que la tension électrique arrive bien sur la machine
	Vérifier que l'arrêt d'urgence n'est pas enclenché
	Vérifier le fusible de commande F1
Le cylindre tourne lentement	La température de préchauffage de 130°C doit être atteinte
La température du cylindre n'augmente pas	Vérifier le thermostat de sécurité à réarmement manuel situé dans le bâti gauche de la machine. S'il est enclenché, ne pas le réarmer si la température du cylindre est supérieure à 150°C
La température du cylindre est très importante et ne correspond pas à la température indiquée à l'écran	Vérifier que les palpeurs sont propres et en bonne position
La qualité de repassage est mauvaise	Vérifier la tension et/ou l'usure des bandes de repassage. Les remplacer si nécessaire.
	Vérifier l'état du molleton presseur et le remplacer si nécessaire
	Vérifier la tension et/ou l'usure des bandes d'engagement. Les remplacer si nécessaire
	La température et/ou la vitesse ne sont pas adaptées au type de linge
La machine surchauffe sur un côté (les bandes deviennent plus sombres que de l'autre côté)	S'assurer de bien répartir le passage du linge sur toute la longueur utile du cylindre (Voir chapitre 3.1)
Après séchage/repassage, en sortie de machine, le linge a de l'électricité statique et "colle" aux bandes de repassage	Lors du cycle de lavage du linge, ajouter un adoucissant à propriété antistatique au dernier rinçage et/ou réduire le PH de l'eau au dernier rinçage à 5.
Le linge ressort jauni	Le linge est mal rincé (résidu de produits lessiviels) ou la température du cylindre est trop élevé.
Le cylindre blanchit	L'eau effectuant le lavage du linge a un TH élevé (le réduire en-dessous de 14)

## 5.2 Liste des alarmes

ALARME	DESCRIPTION	CAUSE / SOLUTION
<b>ALARME 1</b>	Sécurité tablette (protège-doigt)	La sécurité tablette (protège-doigt) a été enclenchée. Si le problème persiste, vérifier les contacts électriques de sécurité tablette dans les bâtis gauche et droit.
<b>ALARME 2</b>	Sécurité manivelle	La sécurité manivelle a été enclenchée, la plaque rouge n'est pas dans la bonne position. Si le problème persiste, vérifier le contact électrique dans le bâti droit.
<b>ALARME 6</b>	Défaut variateur	Le variateur du moteur du cylindre est en défaut (visible sur l'écran du variateur). Vérifier le moteur d'entraînement, le câblage variateur/moteur, la tension d'alimentation du variateur ...
<b>ALARME 7</b>	Erreur sonde de température NTC1 (régulation)	La sonde de température NTC1 est déconnectée ou défectueuse.
<b>ALARME 8</b>	Maintenance préventive	Ce message apparaît lorsque le compteur d'heure (défini dans le menu maintenance) est atteint avertissant d'effectuer la maintenance préventive sur la machine (voir chapitre 3.4 et 3.5).
<b>ALARME 9</b>	Erreur de communication CAN	La communication entre la carte écran (A13) et la carte relais (A10) est interrompue ou défectueuse.
<b>ALARME 10</b>	Erreur de chauffage	La température de consigne n'a pas été atteinte après 90 minutes de fonctionnement.
<b>ALARME 12</b>	Surchauffe (thermostat de sécurité)	Pour cause de surchauffe, le thermostat de sécurité s'est déclenché. Il est à réarmement manuel dans le bâti de gauche.

Si l'une des alarmes persiste, contacter le service technique de votre revendeur.

## 6 MAINTENANCE PREVENTIVE

Toute opération de maintenance doit être effectuée par un personnel qualifié.

**AVANT TOUTE OPERATION DE MAINTENANCE, COUPER L'ALIMENTATION ELECTRIQUE DE LA MACHINE AU DISJONCTEUR DE L'INSTALLATION ET VERIFIER L'ABSCENCE DE TENSION.**

**ATTENTION, SI LA MAINTENANCE EST EFFECTUEE IMMEDIATEMENT APRES LE TRAVAIL, LA MACHINE PEUT ENCORE AVOIR DES PARTIES TRES CHAUDES, DANS CE CAS IL Y A RISQUE DE BRULURES.**

**PENDANT LA MAINTENANCE, IL CONVIENT DE S'EQUIPER D'EQUIPEMENTS DE PROTECTION INDIVIDUEL ADEQUATS (gants, vérificateur d'absence de tension ...)**

Les sécurités ne doivent pas être supprimées (même temporairement) ou modifiées. En cas de doute, contacter le service technique de votre revendeur en lui communiquant le modèle et le numéro de série de la machine.

### N'ASPERGEZ JAMAIS LA MACHINE AVEC DE L'EAU

Dans le menu maintenance, il est possible de programmer une alarme avertissant qu'il faut effectuer la maintenance préventive (voir chapitre 3.4). Cette alarme est programmable par heure de fonctionnement, de ce fait après le nombre d'heure de travail programmée, l'alarme s'affiche à l'écran à chaque mise sous tension de la machine jusqu'à une nouvelle programmation de maintenance ou la désactivation de l'alarme.

Ci-dessous un tableau récapitulant la maintenance préventive qui doit être effectuée et à quelle fréquence :

Points de contrôles et d'entretien	Fréquence (heures)
Contrôle de l'ensemble des sécurités de la machine : Arrêt d'urgence, sécurité tablette, sécurité manivelle, thermostat de sécurité, mise à la terre (électrique).	500
Nettoyage général : à l'intérieur, dans les bâtis (peluches et graisse), turbine de ventilations, lames décolleurs, palpeurs, tuyaux des pressostat	
Contrôle de l'état des palpeurs et leur position (Voir chapitre 4.5)	
Remplacement de l'ensemble des gallons guide (Voir chapitre 4.3)	
Contrôle et resserrage des connexions électriques sur le sectionneur, le contacteur de chauffe et les résistances	

Points de contrôles et d'entretien	Fréquence (heures)
Contrôler la tension de la chaîne d'entraînement (grande) et graisser très légèrement à la graisse liquide la chaîne d'entraînement (grande), la chaîne du rouleau presseur (petite) et les pignons (voir détail des chaînes ci-dessous)	1000
Contrôler visuellement l'état des bandes de repassage, des bandes d'engagement, du molleton presseur et des bandes du convoyeur de la plieuse afin d'anticiper leurs remplacements si nécessaire	
Vérifier la tension des bandes de repassage, des bandes d'engagement, du molleton presseur et des bandes du convoyeur de la plieuse. Le réglage de ces tensions doit être identique de chaque côté.	
Contrôler visuellement l'état des galets latéraux (x2) afin d'anticiper leurs remplacements si nécessaire.	
Nettoyer le conduit d'évacuation	

**NOTE :** La fréquence est définie selon une base de travail hebdomadaire de 40 heures, 2000 heures correspond à environ un an.

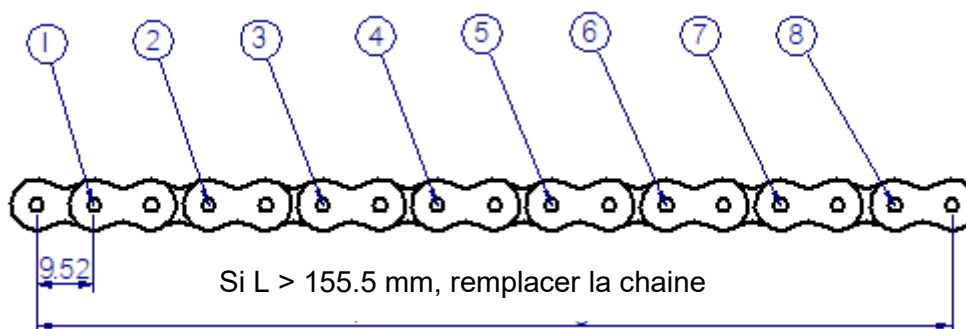
Les chaînes sont équipées de maille rapide pour faciliter leur démontage.

La chaîne du satellite d'entraînement (grande) est tendue automatiquement à l'aide d'un pignon tendeur automatiquement qui doit être desserré pour le démontage de la chaîne et resserré pour le remontage.

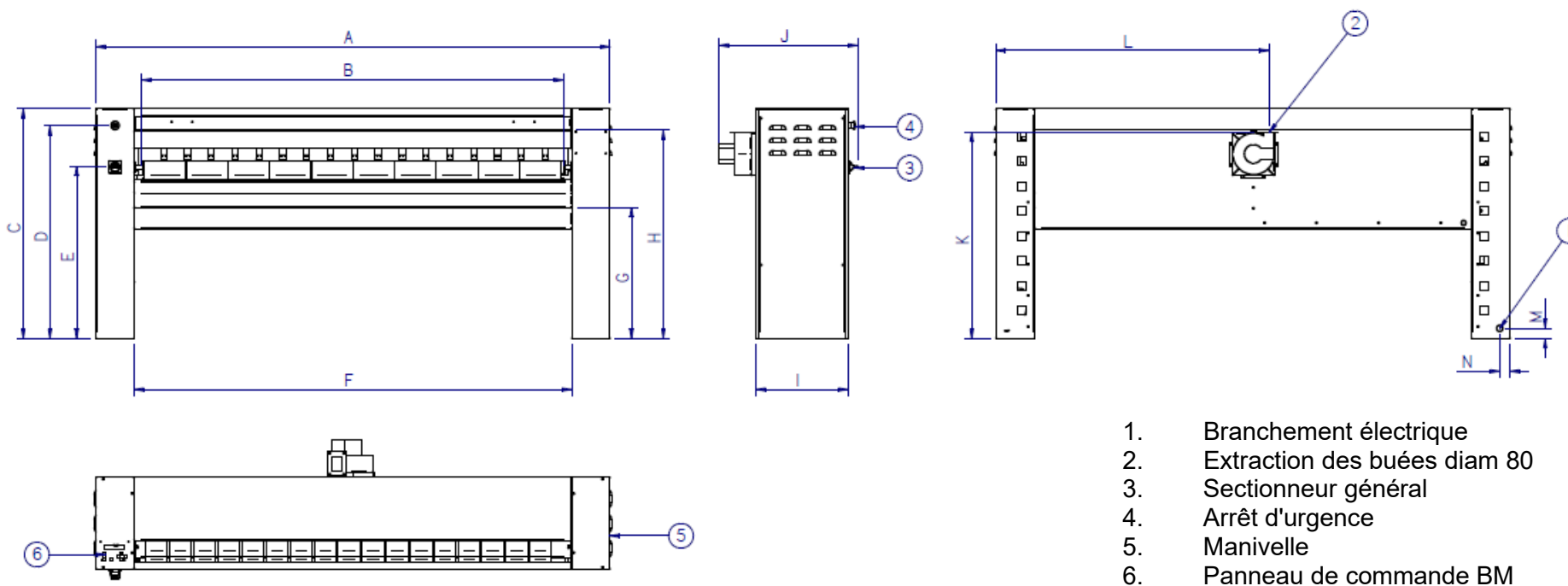
La chaîne d'entraînement du satellite presseur (petite) n'est volontairement pas tendue.

Ci-dessous une description permettant de déterminer l'état d'usure des chaînes et lorsqu'elles sont à remplacer :

**Petite et grande chaînes d'entraînement (pas = 9,52 mm)**



## 7. PLANS D'IMPLANTATION



Type	A	B	C	D	E	F	G	H	I	J	K	L	M	N
<b>PS-20/140 M</b>	1878	1470	1110	1028	830	1510	631	1006	444	666	995	1016	50	50
<b>PS-20/160 M</b>	2128	1720	1110	1028	830	1760	631	1006	444	666	995	1141	50	50
<b>PS-20/200 M</b>	2478	2070	1110	1028	830	2110	631	1006	444	666	995	1316	50	50



**BEDIENUNGSANLEITUNG**

**STANDWÄSCHEMANGELN**

PS-20/140 M

PS-20/160 M

PS-20/200 M

12314877

01/09/2022



**Fabricant / Manufacturer / Fabricante :**

**ONNERA GROUP**

Parc d'activité de Sologne, BP 19 41600 LAMOTTE BEUVRON – France  
Tél. +33 (0)2 54 88 05 76 – Fax +33 (0)2 54 96 89 04

**Type de la machine / Type of the machine / Tipo de la máquina :**

Sécheuses repasseuses, Flatwork ironers, Calandras

**Modèle. Model. Modelo**

PS-20/140 M E, PS-20/160 M E, PS-20/200 M E  
PS-35/140 M G, PS-35/160 M G, PS-35/200 M G,  
PS-35/140 M E, PS-35/160 M E, PS-35/200 M E  
PS-35/200 M PLUS E, PS-35/260 M PLUS E, PS-35/330 M PLUS E  
PS-35/200 M PLUS GR, PS-35/260 M PLUS GR, PS-35/330 M PLUS GR

*Nous déclarons sous notre responsabilité que les machines, dont le type est indiqué ci-dessus, ont été fabriquées en conformité avec les directives U.E. suivantes :*

*We herewith declare under our responsibility that the machines whose type is stated above have been manufactured in conformity with the following E.U. directives:*

*Declaramos bajo nuestra responsabilidad que las máquinas cuyo tipo se indica arriba se ha fabricado conforme a las U.E. directivas siguientes:*

- **Machine Directive 2006/42/EC (include Low voltage directive 2014/35/UE)**
- **Electromagnetic compatibility Directive 2014/30/UE**
- **RoHS II-directive 2011/65/UE**
- **Regulation (EU) 2016/426 “gas appliances” registered under No 029 M**

*Pour lesquelles nous avons suivi les normes / For what have been followed the standards / Para lo cual se han seguido las normas :*

**EN-60204-1:** Sécurité des machines - Equipements électriques des machines – Règles générales / Safety of machinery - Electrical equipment of machines -- General requirements / Seguridad de las máquinas. Equipo eléctrico de las máquinas. Requisitos generales.

**NF EN ISO 10472-1+5 :** Exigences de sécurité pour les machines de blanchisserie industrielle – Prescriptions communes + sécheuses repasseuses / Safety requirements for industrial laundry machinery. Common requirements + Flatwork ironer / Requisitos de seguridad para la maquinaria de lavandería industrial. Requisitos comunes + calandra

**EN-61000-6-2 + EN-61000-6-4 :** Compatibilité électromagnétique (CEM) - Immunité + Emission / Electromagnetic compatibility (EMC) - Immunity + Emission / Compatibilidad electromagnética (CEM). Inmunidad + Emisión

Le 06/09/2022,

Approbateur Technique, Technical aprobator, Aprodador tecnico :

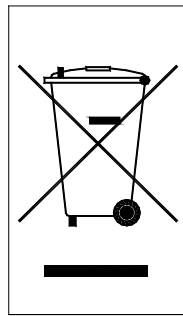
**ONNERA GROUP**  
Parc d'activités de Sologne  
3 rue Léonard de Vinci  
41600 Lamotte Beuvron France  
Tél. 0033 2 54 88 05 76  
SIRET 342 222 759 00058



Die technische Dokumentation enthält vertrauliche Informationen. Wir weisen Sie deshalb ausdrücklich darauf hin, dass es verboten ist, diese Dokumente weiterzugeben oder zu vervielfältigen, und dass wir gegen die Autoren solcher Kopien ein Verfahren einleiten werden.

### **Entsorgung von gebrauchten elektrischen und elektronischen Geräten**

Dieses Symbol auf dem Gerät oder seiner Verpackung weist darauf hin, dass das Gerät nicht mit dem Hausmüll entsorgt werden darf. Es muss zu einer geeigneten Sammelstelle zum Recycling von elektrischen und elektronischen Altgeräten gebracht werden.



## **ORIGINALANLEITUNG** **BÜGELTROCKNER PS-20/ M E**

### **ACHTUNG**



Quetschgefahr für Finger



Elektrische Gefahr



Verbrennungsgefahr

## INHALT

### 1 GRUNDPRINZIP

1.1	Einführung.....	3
1.2	Funktionsprinzip.....	4
1.3	Sicherheit .....	5
1.3.1	Sicherheit Fingerschutz .....	5
1.3.2	Kurbelsicherung .....	5
1.3.3	Sicherheit beim Heizen .....	5
1.4	Heizung.....	6
1.5	Optionen.....	6

### 2 INSTALLATIONSANLEITUNG

2.1	Typenschild.....	7
2.2	Installation.....	7
2.2.1	Handling und Verpackung .....	7
2.2.2	Raumeigenschaften.....	8
2.2.3	Aufstellung.....	8
2.2.4	Nivellierung.....	9
2.2.5	Elektrischer Anschluss.....	10
2.2.6	Anschluss der Dampfabzüge .....	11
2.2.7	Erste Inbetriebnahme .....	12

### 3 BETRIEBSANLEITUNG

3.1	Empfehlungen zur Verwendung.....	13
3.2	Beschreibung des Bedienfelds.....	13
3.3	Ausführung eines Zyklus.....	14
3.4	Wartungsmenü .....	15
3.5	Statistikmenü.....	16

### 4 TECHNISCHE BESCHREIBUNG

4.1	Kurbelbetätigung (bei Stromausfall) .....	17
4.2	Ersetzen der Führungen.....	18
4.3	Längerer Stillstand und Paraffinierung (ohne vernickelte Option).....	18
4.4	Kontrolle und Reinigung der Sensoren.....	19

### 5 ANOMALIEN UND ALARME

5.1	Verschiedene Anomalien.....	20
5.2	Liste der Alarme.....	21

### 6 VORBEUGENDE WARTUNG

22

### 7 ANORDNUNGSPLAN

7.1	Anordnungsplan .....	24
-----	----------------------	----

# 1. GRUNDPRINZIP

## 1.1. Einführung

Wir danken Ihnen für das Vertrauen, das Sie in unser Gerät gesetzt haben. Wir hoffen, dass dieses Ihren Erwartungen entspricht.

Die Garantie umfasst keine Schäden der Glaskomponenten und Verbrauchsteile (Dichtungen, Glühbirnen, Textilien etc.) sowie der Isoliermaterialien. Ebenfalls von der Garantie ausgenommen sind Schäden, die durch eine nicht ordnungsgemäße Installation, unsachgemäße Verwendung, ungenügende Wartung oder einen schlechten Allgemeinzustand verursacht werden.

Dieses Gerät unterliegt Änderungen aufgrund des technischen Fortschritts.

**WARNUNG:** Um die Gefahr von Stromschlägen und Verletzungen bei der Verwendung des Geräts zu verringern, befolgen Sie die grundlegenden Vorsichtsmaßnahmen, unter anderem:

- 1- **LESEN** Sie alle Anweisungen, bevor Sie das Gerät verwenden, und **BEWAHREN** Sie die Unterlagen an einem einfach zugänglichen Ort auf, um jederzeit nachschlagen zu können.
- 2- Dieses Gerät muss von einem offiziellen oder befugten technischen Dienst installiert werden. Eine unsachgemäße Installation, eine falsche Einstellung, ein schlechter Service oder eine ungeeignete Wartung sowie eine falsche Bedienung des Geräts können Sachschäden und Verletzungen nach sich ziehen. Bitte lesen Sie die Anweisungen dieser Anleitung, bevor Sie das Gerät in Betrieb nehmen. Sie finden hier wichtige Informationen über die Installation.
- 3- Werden die Installation, das Service, die Wartung und/oder Reinigung oder eine Änderung des Geräts nicht sachgemäß ausgeführt, kann dies zu Beschädigungen des Geräts und zu Verletzungen der Benutzer führen.
- 4- Die Nichteinhaltung der angegebenen Verhaltensregeln bewirkt den Verlust jeglichen Garantieanspruchs.
- 5- Stecken Sie das Gerät im Falle einer Panne oder Störung aus.
- 6- **TROCKNEN/BÜGELN SIE KEINE WÄSCHE**, die mit Reinigungsbenzin, Lösungsmitteln zur Trockenreinigung oder anderen entzündbaren oder explosionsgefährdeten Mitteln, die in Brand geraten oder explodieren könnten, vorbehandelt oder gewaschen wurde, in diesen eingeweicht wurde oder mit diesen bespritzt wurde.
- 7- **FÜGEN SIE KEIN REINIGUNGSBENZIN**, keine Lösungsmittel zur Trockenreinigung oder andere entzündbare Substanzen zum Waschwasser hinzu. Diese Substanzen geben Dämpfe ab, die in Brand geraten oder explodieren können.
- 8- **LASSEN SIE KINDER WEDER** auf noch im Gerät spielen. Überwachen Sie aufmerksam Kinder, die sich in der Nähe einer im Betrieb befindlichen Maschine befinden.
- 9- Dieses Gerät ist nicht für die Benutzung durch Personen (darunter auch Kinder) vorgesehen, deren körperliche, sensorische oder geistige Fähigkeiten eingeschränkt sind, oder die nicht über ausreichend Erfahrung und Kenntnisse hierzu verfügen, es sei denn, sie werden von einer für ihre Sicherheit verantwortlichen Person beaufsichtigt oder geschult.
- 10- Installieren oder lagern Sie das Gerät **nicht im Freien**.
- 11- Betätigen Sie die Bedienelemente **nicht gewaltsam**.
- 12- **Reparieren Sie keine Teile des Geräts, tauschen Sie keine aus** und versuchen Sie auch nicht, eigenständig Wartungseingriffe vorzunehmen, es sei denn, dies wird in der Bedienungsanleitung empfohlen. Vergewissern Sie sich immer, die Anweisungen voll und ganz zu verstehen und über die notwendigen Fähigkeiten zur Durchführung der Maßnahmen zu verfügen.
- 13- Setzen Sie keine Sicherheitseinrichtung außer Kraft und nehmen Sie keine Änderungen an irgendeiner Komponente der Waschmaschine vor. **INSTALLIEREN SIE KEINE FREMDKÖRPER** im Inneren der Maschine.
- 14- Die Nichtbeachtung der Hinweise der Bedienungsanleitungen kann zu Verletzungen führen. Es ist nicht möglich, in den Gefahrenhinweisen auf alle möglichen Fälle und Situationen hinzuweisen. Der **gesunde Menschenverstand**, die Vorsicht und Sorgfalt sind deshalb Faktoren, die von den Personen an den Tag gelegt werden müssen, die die Maschine transportieren, installieren, verwenden oder warten.
- 15- Die Maschine darf **NICHT** verwendet werden, wenn nicht alle Abdeckungen und Schutzvorrichtungen korrekt platziert und befestigt sind.
- 16- Der Händler (Verkäufer) muss **UNBEDINGT** den Benutzer während der Inbetriebnahme richtig schulen.
- 17- Reinigen Sie die Einsatz- und Auffangbehälter täglich.
- 18- Falls erforderlich, kann diese Dokumentation in digitaler Form unter folgender Adresse angefordert werden [info.laundry@fagorprofessional.com](mailto:info.laundry@fagorprofessional.com) / [info@fagorprofessional.com](mailto:info@fagorprofessional.com)

## 1.2. Funktionsprinzip

Dieser Maschinentyp ist so konzipiert, dass er nur Flachwäsche wie Laken oder Tischdecken trocknet und bügelt.

Durch flaches Auflegen der Wäsche auf den Einziehstisch an der Vorderseite der Maschine wird die Wäsche durch die Eingriffsbänder automatisch dem Trockenzylinder zugeführt.

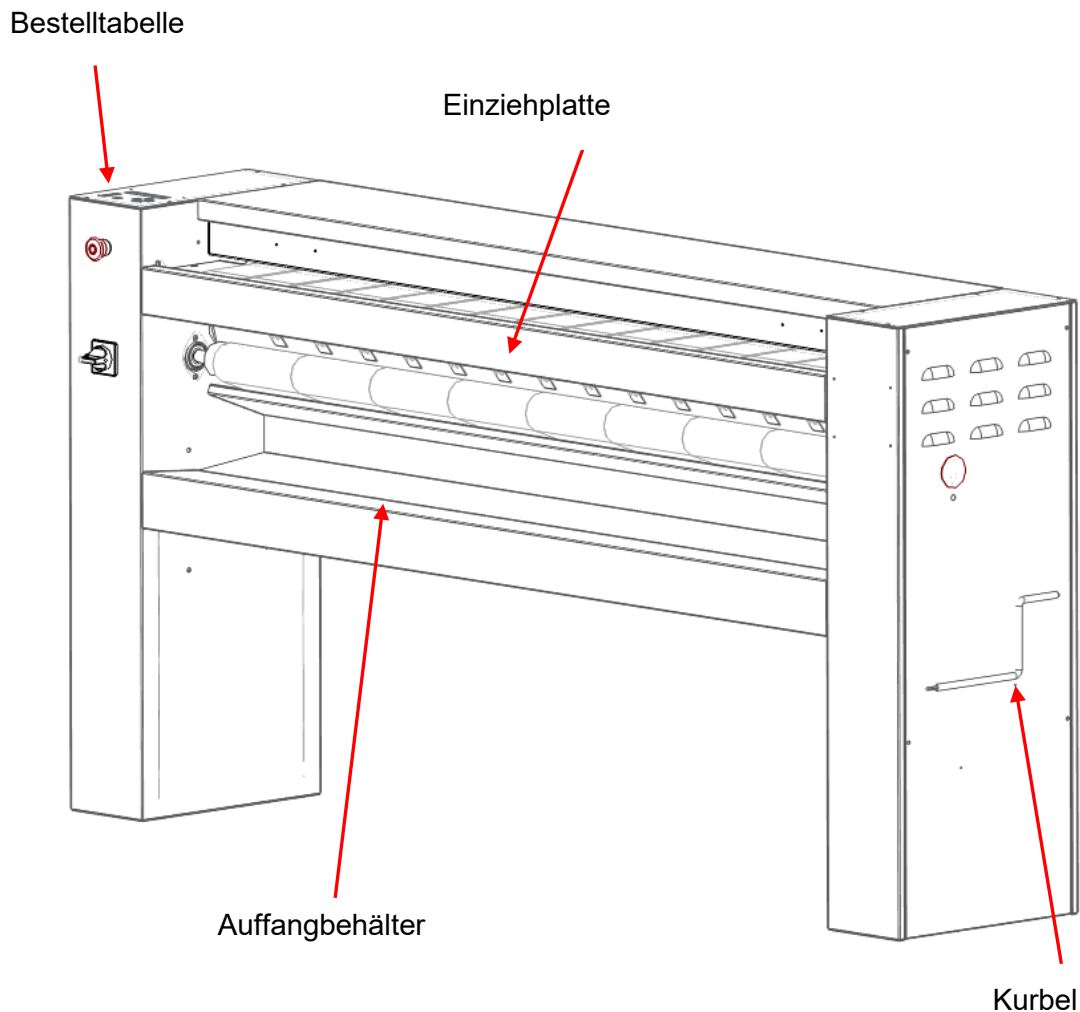
Der Durchgang der Wäsche unter der vom Vlies umgebenen Andruckwalze gewährleistet dann eine erste Kalandrierung dank konstantem und selbstregulierendem Druck, je nach Dicke der Wäsche, durch ein System von Ausgleichsfedern.

Das trocknende Bügeln erfolgt mit „Nomex“-Qualitätsbändern und beheiztem Zylinder.

Nach dem Trocknen und Bügeln wird die Wäsche automatisch durch mit Teflon gefederte Metalllamellen in die Auffangwanne geleitet. Diese Lamellen werden durch Teflonpolster verlängert, um Markierungen auf den Bändern zu vermeiden.

Die Wäsche kommt somit trocken, gebügelt und perfekt kalandriert heraus, für einen perfekten Halt und eine perfekte Präsentation.

Die Maschine wird über ein Steuerpult gesteuert, um die Geschwindigkeit und Temperatur sowie die verschiedenen Parameter zu verwalten.



Maschinentyp	PS-20/140 M	PS-20/160 M	PS-20/200 M
Theoretische Leistung (kg/h)	10-12	13-15	19-21
Ø Zylinder (mm)	200	200	200
Nutzbare Breite (mm)	1400	1600	2000
Arbeitsgeschwindigkeit (m/min)	1,5-6	1,5-6	1,5-6
Beladehöhe in mm	990	990	990
Geräuschpegel (dB)	63	63	63
Verdampfungsleistung (l/h)	8-10	10-12	12-14

### 1.3. Sicherheit

Zusätzlich zu der Notabschaltung, die sich in der Nähe des Bedienfeldes befindet, ist die Trockner-Bügelmaschine mit folgenden weiteren Sicherheitseinrichtungen ausgestattet:

#### 1.3.1. Fingerschutz

Die Sicherheit des Bedieners wird durch eine Platte (Sicherheitstisch) gewährleistet, die sich unmittelbar hinter der Einziehplatte befindet. Dadurch wird verhindert, dass die Hände des Bedieners zu weit nach vorn gelangen und er sich die Finger verbrennt oder quetscht. Ein leichter Kontakt auf dieser Sicherheitsplatte bewirkt den sofortigen Stopp der Maschine durch Anzeige eines Alarms auf dem Bedienfeld. Dieser Sicherheitstisch kann als Haupt-Not-Aus der Maschine betrachtet werden (kann über die gesamte Länge verwendet werden). Der Abstand zwischen der Einziehplatte und dem Sicherheitstisch beträgt 8 mm: dieser Abstand darf nicht verändert werden.

#### 1.3.2. Kurbelsicherung

Bei Verwendung der Kurbel (siehe Kapitel 4.1) ist es notwendig, die rote Platte auf der rechten Seite zu entfernen, um das Handrad einzusetzen und so den Zylinder manuell zu drehen (bei Stromausfall und hoher Maschinentemperatur). Diese Aktion stoppt aus Sicherheitsgründen sofort die Maschine und zeigt einen Alarm auf dem Bedienfeld an.

#### 1.3.3. Sicherheit beim Heizen

Die Maschine ist mit einem Sicherheitsthermostat ausgestattet, das sich auf dem Zylinder befindet (in einer der beiden Sonden), dessen manuelle Rückstellung sich innerhalb des linken Rahmens befindet und das ausgelöst wird, wenn die Temperatur des Zylinders über 205 °C liegt. Beim Einschalten des Thermostats wird ein auf dem Bedienfeld sichtbarer Alarm ausgelöst. **DAS THERMOSTAT NICHT WIEDER SCHARF SCHALTEN**, wenn eine Temperatur über 150 °C angezeigt wird, sondern warten, bis der Zylinder abgekühlt ist. In den Sonden sind auch zwei Temperatursensoren installiert, einer für die Kontrolle und einer für die Sicherheit, die ebenfalls einen Alarm anzeigen, wenn einer der beiden Sensoren eine Temperatur von mehr als 205 °C misst.

## 1.4. Heizung

**Elektrische Heizung:** durch gepanzerte Heizelemente (Anzahl der Heizelemente variiert je nach Leistung der Maschine), die im Inneren des Zylinders angebracht werden.

Maschinentyp	PS-20/140 M	PS-20/160 M	PS-20/200 M
Anzahl Heizelemente	3	3	3
Leistung des Heizelements (KW)	3,5	4	5
<b>GESAMTLEISTUNG (KW)</b>	10,5	12	15

## 1.5. Optionen

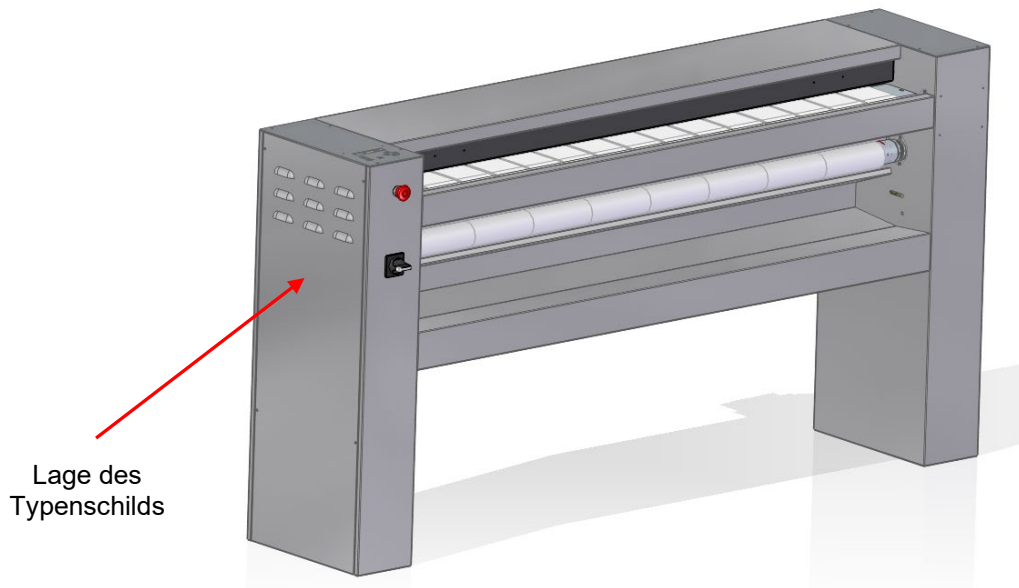
- **Spannungen:** Die Versorgungsspannung beträgt standardmäßig 400V 3P + T + N 50HZ, optional sind folgende Spannungen erhältlich:
  - 230V 3P + T 50 HZ
  - 230V 3P + T 60 HZ
  - 440V 3P + T 50 HZ (Marinespannung)
  - 440V 3P + T 60 HZ (Marinespannung)

## 2. INSTALLATIONSANLEITUNG

### 2.1. Typenschild

Das Typenschild dieses Geräts befindet sich auf der linken Gehäusesseite. Es enthält folgende Informationen:

- Geräteart und Seriennummer
- Elektrische Eigenschaften (Spannung, Leistung, Sicherung)
- Gesamtleistung



### 2.2. Installation



**Achtung:** Die Installation, Einstellung und Inbetriebnahme der Maschine muss durch das Technikerteam des Herstellers oder durch Techniker oder Händler erfolgen, die über die Zulassung des Herstellers verfügen.

Es wird dringend empfohlen, dass der Kunde zugegen ist, insbesondere für die Aufstellung und bei den ersten Versuchen.

Das Gerät muss gemäß den geltenden Vorschriften und Gesetzen in einem Raum aufgestellt werden, der vor, während und nach der Aufstellung ausreichend belüftet, sauber und ordentlich aufgeräumt ist. Eventuelle Abfälle müssen in geeigneten Behältern beseitigt werden.

#### 2.2.1. Handling und Verpackung

Bei der Lieferung muss sich die Maschine in perfektem Zustand befinden; die Verpackung darf weder unvollständig noch beschädigt sein. Beachten Sie die Hinweise auf der Verpackung (z. B. zerbrechlich, oben/unten, vor Regen schützen etc.). Da die Maschine relativ schwer und groß ist (siehe unten), bereiten Sie entsprechende Hebe- und Handlinggeräte vor, um die Arbeiten in aller Sicherheit ausführen zu können.



Die Maschine muss mit einem Gabelstapler mit ausreichend Kapazität befördert werden. Die Gabelzinken des Staplers müssen möglichst weit auseinander gestellt werden, um ein Kippen der Maschine zu verhindern.

Da die Maschine relativ lang ist, muss sie sehr oft von der Seite eines LKW mit Anhänger mit seitlicher Öffnung (Plane) entladen werden.

Die Maschine muss unbedingt am Schwerpunkt ausgehoben werden (Schwerpunkt in der Achse).

Achten Sie darauf, dass die Maschine zum Beispiel beim Ausladen nicht umkippt und nicht hinunterfällt.

**Hinweis:** Soll die Maschine angeschlagen werden (nicht vorgesehen und **ausdrücklich** nicht empfohlen), trägt der Lagerarbeiter die gesamte Verantwortung (**Gefahr der Verformung der Maschine**).

	ABMESSUNGEN in mm		GEWICHT (KG)		Volumen (m3) Verp.
	(Breite x Tiefe x Höhe)		Ohne Verpackung	Mit Verpackung	
	Gesamt	Mit Verpackung			
<b>PS-20/140 M</b>	1878x666x1110	2130x770x1400	180	220	2,3
<b>PS-20/160 M</b>	2128x666x1110	2340x770x1400	203	240	2.52
<b>PS-20/200 M</b>	2478x666x1110	2780x770x1400	237	275	3

### 2.2.2. Raumeigenschaften

- Die Maschine muss in einem gut belüfteten Raum mit angemessener Beleuchtung und einer Umgebungstemperatur zwischen + 10°C und + 40°C (Grenztemperatur für den elektronischen Frequenzumrichter des Antriebsmotors) aufgestellt werden.
- Um eine optimale Leistung der Maschine zu erreichen, müssen Sie dafür sorgen, dass Frischluft von außerhalb des Raumes, möglichst in Maschinennähe, zugeführt wird.

Der Querschnitt des Frischlufteinlasses muss mindestens das Vierfache des Querschnitts des Auslassrohrs betragen, je nach Modell können zwei Auslassrohre vorhanden sein.

**Hinweis:** Der Frischlufteinlassabschnitt ist der Abschnitt, durch den sich die Luft aufgrund des am Einlass selbst installierten Gitters ohne Widerstand bewegen kann. Dabei ist zu berücksichtigen, dass die Gitterstäbe oft einen großen Teil des Gitterquerschnitts einnehmen.

Um die Maschine herum muss ausreichend Platz bleiben, um einen ordnungsgemäßen Betrieb zu ermöglichen:

- mindestens 10 cm nach hinten einschließlich der
- 60 bis 80 cm auf jeder Seite für Pflege und Wartung.
- Es muss vorn für ausreichend Platz gesorgt werden, damit der Bediener seine Arbeit sachgemäß und ohne Gefahr durchführen kann.

Es ist eine gewisse Belastbarkeit des Bodens notwendig, um eine solche Maschine aufstellen zu können (siehe unten stehende Tabelle).

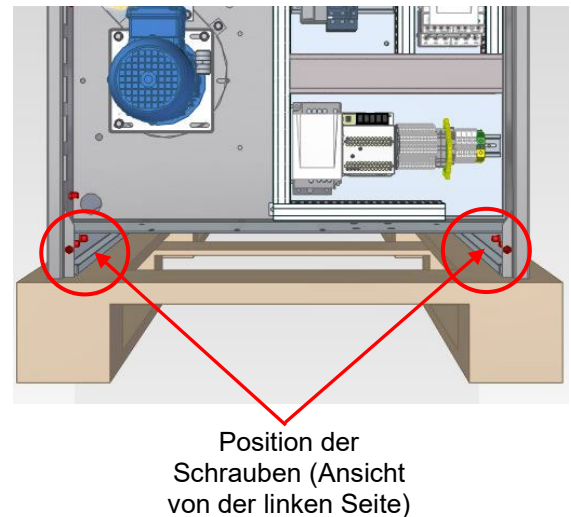
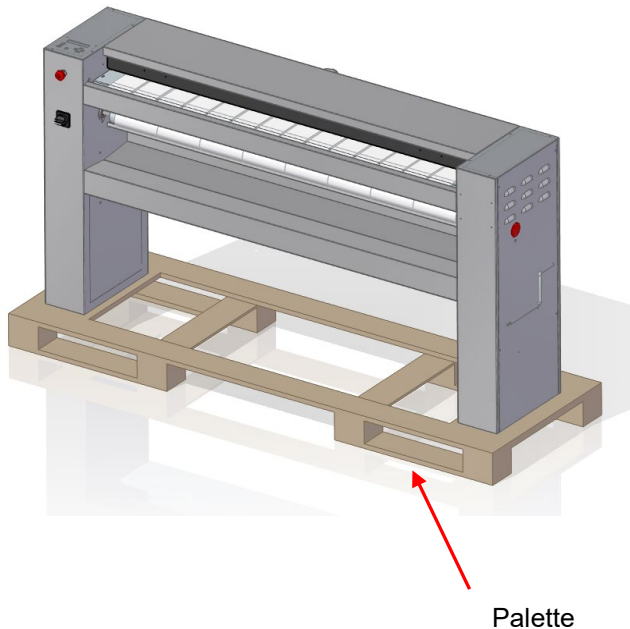
Maschinentyp	PS-20/140 M	PS-20/160 M	PS-20/200 M
Gewicht (KG)	180	203	237
Grundfläche (m <sup>2</sup> )	1.25	1,4	1,65
Statische Belastung (daN/m <sup>2</sup> )	692	780	911

DEUTSCH

### 2.2.3. Aufstellung

Bevor Sie die Transportelemente (Palette und Sparren) entfernen, bringen Sie die Maschine so nah wie möglich an ihren endgültigen Aufstellungsort.

Der Bügeltrockner wird auf einer Palette geliefert, die mit vier Schrauben an den vier Ecken der Maschine befestigt ist. Um an die Schrauben zu gelangen und sie zu entfernen, müssen Sie die Seitenwände abnehmen.



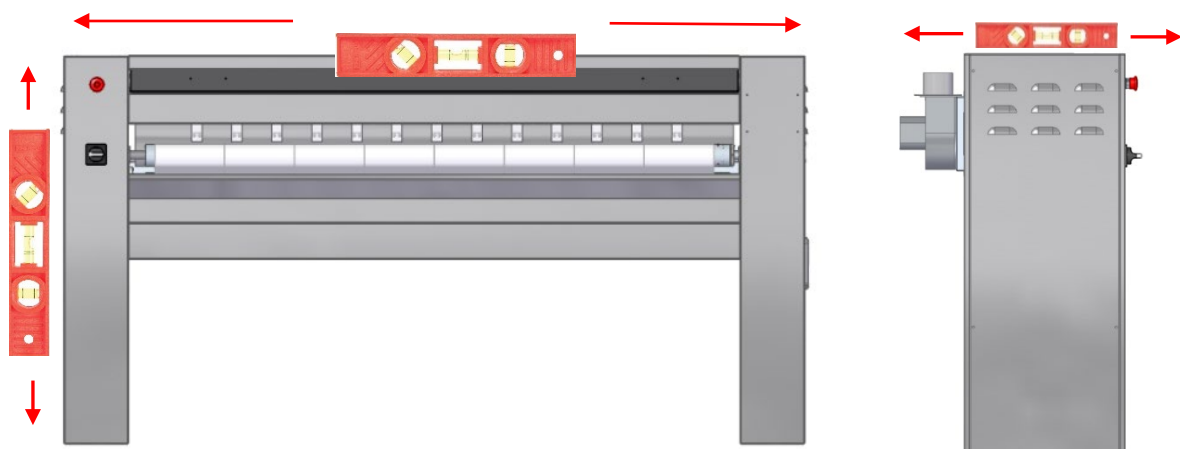
Nach dem Entfernen der 4 Schrauben die Palette entfernen und die Maschine vorsichtig auf den Boden stellen.

### 2.2.4 Nivellierung



**Die perfekte horizontale und vertikale Nivellierung der Maschine ist für den ordnungsgemäßen Betrieb unerlässlich.**

Bringen Sie bei Bedarf Passplatten unter der Maschine an.



Wenn die Nivellierung unzureichend ist, bewegen sich die Bügelgurte seitlich (nach links oder rechts), wodurch sich ihr Verschleiß erhöht.

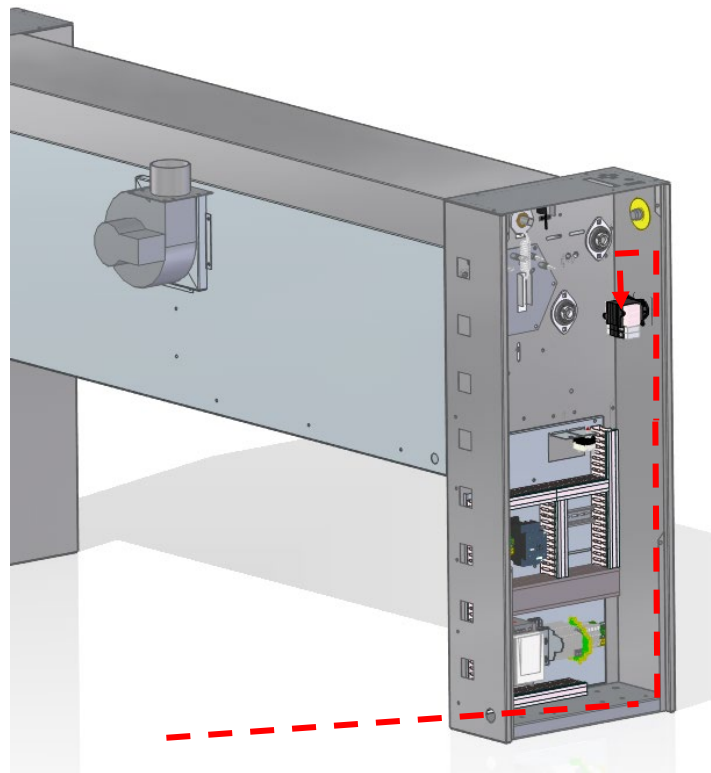
## Elektrischer Anschluss

Das Stromkabel ist nicht im Lieferumfang enthalten.

Für den elektrischen Anschluss der Maschine muss ein Stromkabel verwendet werden, das die Eigenschaften der unten stehenden Tabellen aufweist und von einem **Fehlerstrom-Schutzschalter mit einem Bemessungsfehlerstrom von 300 mA oder 30 mA SI (super-immun)** gesichert wird. Das Stromkabel darf nicht mit einer Steckdose verbunden werden. Es ist für eine zusätzliche Kabellänge von mindestens 50 cm in der Maschine zu sorgen, um das Kabel direkt am Trennschalter der Maschine anzuschließen. Der Anschluss an den Trennschalter und die Schutzeinrichtung (Hauptschalter) dürfen nicht mehr als 3 Meter voneinander entfernt sein.

Der elektrische Anschluss muss gemäß den geltenden Normen durchgeführt werden. Vergewissern Sie sich, dass die Versorgungsspannung mit den technischen Daten auf dem Typenschild auf der Hinterseite der Maschine übereinstimmt (siehe Kapitel 2.1.).

**Die Erdung muss unbedingt korrekt angeschlossen sein, um die Sicherheit der Benutzer und eine einwandfreie Funktionsweise zu garantieren.**



Das Netzkabel muss an den Trennschalter im linken Rahmen angeschlossen werden. Das Netzkabel muss, wie oben dargestellt, durch eines der Löcher im Rahmen durch die Rückseite des Geräts geführt werden.

<b>Elektrische Eigenschaften</b>				
		<b>PS-20/140 M</b>	<b>PS-20/160 M</b>	<b>PS-20/200 M</b>
Motorleistung (KW)		0,37	0,37	0,37
Heizleistung (KW)		10,5	12	18
Gesamtleistung (KW)		10,87	12,37	18,37
Versorgungsspannung				
Schutz (A)	400V 3P + N + T	20	20	32
	230V 3P + T	32	40	50
Leitungsquerschnitt (mm <sup>2</sup> )	400V 3P + N + T	5G4mm <sup>2</sup>	5G4mm <sup>2</sup>	5G6mm <sup>2</sup>
	230V 3P + T	4G6mm <sup>2</sup>	4G10mm <sup>2</sup>	4G10mm <sup>2</sup>

### 2.2.5 Anschluss für Dampfabzug

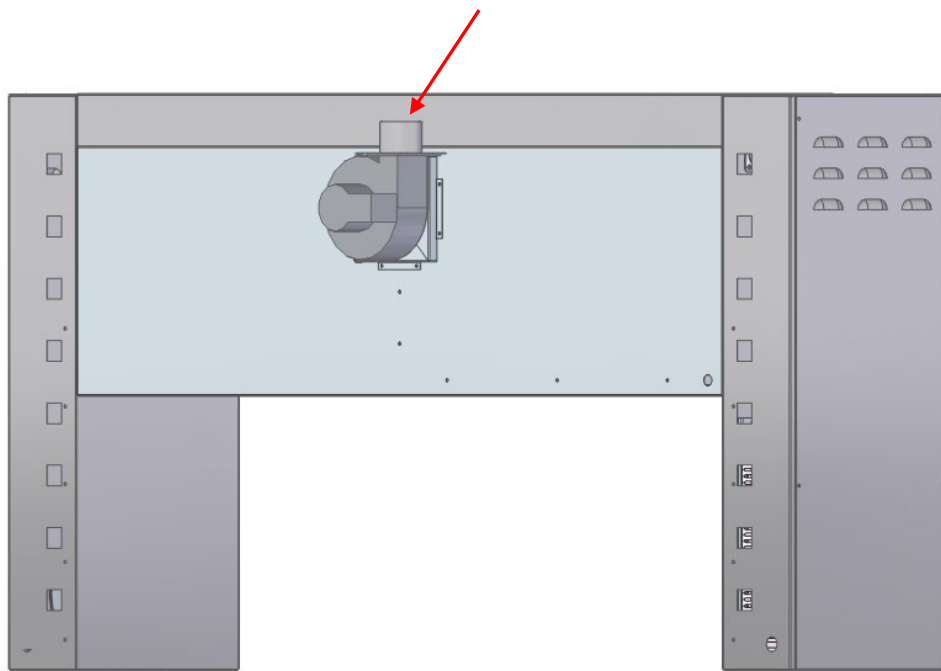
Der Dampfabzug-Außenanschluss ist **Pflicht** (das Abluftrohr ist nicht im Lieferumfang enthalten). Die Abluft muss außerhalb des Arbeitsplatzes abgeführt werden und darf niemals an andere Schornsteine angeschlossen werden, die bereits zur Absaugung des Rauchs von anderen Geräten verwendet werden.

Die Lage dieser Kanäle muss innerhalb der in der Wärmegesetzgebung festgelegten Grenzen liegen. Der verwendete Schlauch muss starr, metallisch und temperaturbeständig (150 °C) sein und darf niemals zu nahe an entflammaren Materialien oder Materialien, die durch Übertemperatur verformt werden können, vorbeiführen.

Die Innenseite des Schlauches muss glatt sein, um den Luftweg nicht zu stören und auch keine Elemente zu enthalten, an denen sich Fussel ansammeln können (Schrauben, Nieten, usw...).

Es wird empfohlen, in den Kanälen Inspektionsluken vorzusehen, um die regelmäßige Reinigung der Kanäle zu erleichtern.

Dampfabzug-Anschluss in  
Ø83 mm (oben)



Der Auslasskanal sollte so kurz wie möglich sein. Er sollte **5 Meter nicht überschreiten**, mehr als **2 90°-Krümmer** haben und in horizontalen Abschnitten ein Gefälle von 2 % nach außen aufweisen, um zu verhindern, dass Kondensat in die Maschine abfließt, sowie mit einem **Rückschlagventil** ausgestattet sein.

- Wenn das Abluftrohr 5 Meter und 2 Krümmer überschreiten muss, wird empfohlen, den Durchmesser des Abluftrohrs zu vergrößern oder einen Absaugmotor in das Rohr einzubauen.

Die Dimensionierung dieses Absaugmotors muss von einem auf Luftaufbereitung spezialisierten Unternehmen nach folgenden Angaben vorgenommen werden:

- Leistung des Lüftermotors: 0,09 KW
- Extraktionsrate: 300 m<sup>3</sup>/h
- Druckabfall am Lüfterauslass: 30 Pa

### **2.2.6 Erste Inbetriebnahme**

Nachdem Sie sich vergewissert haben, dass die Maschine gemäß den Empfehlungen dieses Handbuchs installiert wurde (Nivellierung, elektrische Anschluss), nehmen Sie den Bügeltrockner in Betrieb:

- Den Trennschalter an der Rückseite der Maschine, linke Seite, auf Position 1 drehen.
- Sich vergewissern, dass das Not-Aus nicht betätigt wurde
- Drücken Sie START, um das um den Zylinder gewickelte Wachspapier zu entfernen.
- Stellen Sie sicher, dass sich die Sensoren vor und unmittelbar nach dem ersten Start der Maschine in der richtigen Position befinden, da die Maschine aufgrund des werkseitig aufgetragenen Paraffins zum Schutz des Zylinders vor Korrosion falsch positioniert werden könnte (siehe Kapitel 4.4).
- Prüfen Sie, ob das Gerät ordnungsgemäß funktioniert (im Falle einer Anomalie siehe Kapitel 5).
- Unterweisen Sie das Bedienungspersonal wie in Kapitel 3 beschrieben.

### 3 **BEDIENUNGSANLEITUNG**

#### 3.1 **Empfehlungen für die Verwendung**

Die Trockner-Bügelmaschine ist mit einem Bedienfeld ausgestattet, das unter anderem die Einstellung der Temperatur und der Geschwindigkeit des Zylinders ermöglicht, die je nach Art der zu trocknenden und zu bügelnden Wäsche angepasst werden müssen.

Diese beiden Parameter (Temperatur und Geschwindigkeit) müssen vom Benutzer je nach Art der zu trocknenden und zu bügelnden Flachwäsche angepasst werden. Wenn die Wäsche an der Ausgabe noch nass ist, sollte die Temperatur erhöht und/oder die Geschwindigkeit reduziert werden. Umgekehrt ist die Temperatur und/oder Geschwindigkeit zu reduzieren, wenn die Wäsche sehr steif oder leicht vergilbt (Anzeichen für Überhitzung) herauskommt.

Die Wäsche sollte einen relativen Feuchtigkeitsgehalt von **25 bis 50 %** haben.

Die maximal einstellbare Temperatur beträgt 180 °C.

Das Wäschestück durch Auflegen auf die Einziehplatte in die Maschine geben (ein guter Einzug sowie flach und straff aufgelegte Wäsche sorgen für ein besseres Bügelergebnis).

Für große Wäschestücke werden zwei Bediener benötigt, die vor der Maschine stehen. Jede Person muss ein Ende der Wäsche halten und sie gleichzeitig gemeinsam einführen

Die Beladehöhe und die Neigung der Einziehplatte ermöglichen eine optimale Ergonomie und verhindern das Auftreten von Erkrankungen des Bewegungsapparats in Verbindung mit diesem Arbeitsplatz.

Die Wäsche wird automatisch zugeführt, um getrocknet und gebügelt zu werden. Sie kann in der Auffangwanne gesammelt oder bei einer mit der Faltoption ausgestatteten Maschine zur vorderen oder hinteren Ausgabe befördert werden.

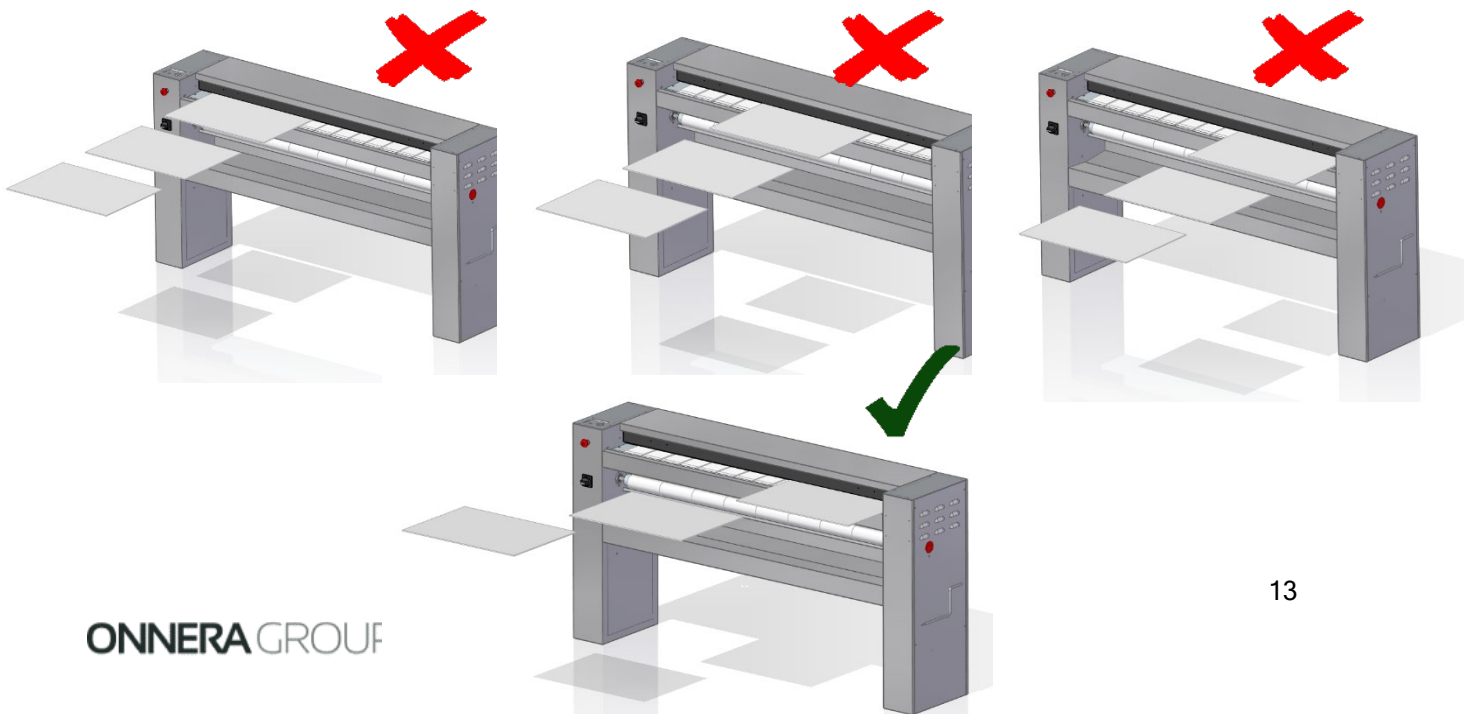
Eine Option (Automatikbetrieb) passt die Geschwindigkeit der Walze automatisch an den in der Wäsche festgestellten Restfeuchtigkeitsgehalt an.

Die Wäsche muss flach sein (ohne Knöpfe, Verschlüsse, Druckknöpfe, Schlaufen usw.), darf vor dem Einführen in die Maschine nicht gefaltet werden, um eine optimale Qualität zu gewährleisten, und darf nicht dicker als 8 mm sein.

Um die Erwärmungsträgheit so weit wie möglich zu begrenzen, ist es ratsam, mit der Arbeit zu beginnen, wenn die Temperatur etwas niedriger als die eingestellte Temperatur ist.

Wenn ein Produktionsstopp länger als 15 Minuten dauert, ist es ratsam, die Taste STOP zu drücken, um die Maschine in die Kühlphase zu schalten und so unnötigen Energieverbrauch zu begrenzen. Drücken Sie erneut START, um die Arbeit wieder aufzunehmen und die Heizung der Maschine wieder zu starten.

Beim Bügeln kleiner Wäschestücke ist es unerlässlich, nacheinander über die gesamte Bügellänge zu arbeiten, um eine gleichmäßige Arbeit und eine längere Lebensdauer der Bügelbänder zu erreichen, deren Zustand sich schnell verschlechtern kann.



**DEUTSCH**

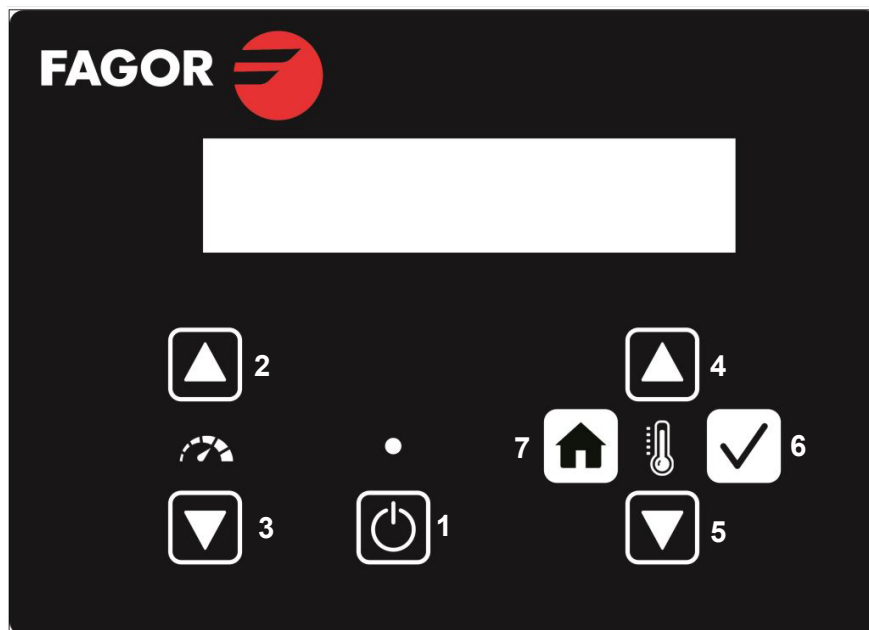


**WICHTIG:** Die Maschine darf nicht bei hoher Temperatur angehalten werden: drücken Sie auf die Taste „START- STOP“, um in die Abkühlphase zu wechseln; die Maschine wird automatisch gestoppt, wenn die Temperatur **80 °C** erreicht. Halten Sie die Maschine nicht durch Drücken des Not-Aus-Tasters an; dieser sollte nur im äußersten Notfall verwendet werden.

### 3.2 Beschreibung des Bedienfelds

Setzen Sie die Maschine unter Strom, indem Sie den Hauptschalter hinten rechts an der Maschine betätigen (das Not-Aus darf nicht eingedrückt sein).

Beim Einschalten und für einige Sekunden wird auf dem Bildschirm die Version des Mikroprozessors angezeigt und dann "PRESS START".



- 1- Taste „START-STOP“
- 2- Erhöhen der Bügelgeschwindigkeit
- 3- Verringern der Bügelgeschwindigkeit
- 4- Temperatur erhöhen
- 5- Temperatur senken
- 6- Bestätigungstaste
- 7- Schaltfläche für den Zugriff auf das Wartungsmenü (nur für den technischen Dienst)

### 3.3 Einen Zyklus ausführen

Wenn Sie direkt auf die Taste "START-STOP" drücken, startet der Bügeltrockner mit den Geschwindigkeiten und Temperaturen des zuletzt durchgeführten Zyklus.

Beachten Sie, dass die Maschine beim Start bis 130 °C (Parameter kann geändert werden) vorgeheizt wird und bei niedriger Geschwindigkeit (3 m/min) arbeitet und dass die Geschwindigkeit während dieser Phase nicht geändert werden kann.

Außerdem schalten sich bei elektrisch beheizten Maschinen die Lüftermotoren erst ein, wenn die Hälfte der eingestellten Temperatur erreicht ist.



Während des Betriebs zeigt der Bildschirm die tatsächliche Temperatur der Zylinder und die Rotationsgeschwindigkeit der Zylinder an (Ausführungsbildschirm), es ist möglich, diese Parameter mithilfe der entsprechenden Schaltflächen zu ändern.

Wenn du eine der beiden Tasten zur Einstellung der Geschwindigkeit (2 und 3) drückst, ändert sich die Geschwindigkeit von 0,5 in 0,5 m/min von 1,5 bis 6 m/min.

Wenn Sie eine der beiden Tasten für die Temperatureinstellung (4 und 5) drücken, erscheint auf dem Bildschirm "TEMPERATURE SET" sowie die Solltemperatur, die von 1 °C bis 180 °C eingestellt werden kann. Nachdem Sie die Solltemperatur eingestellt haben, drücken Sie die Bestätigungstaste (6), um die Solltemperatur zu bestätigen und zum Ausführungsbildschirm zurückzukehren.

Im ausgeschalteten Zustand können Sie die Betriebsart durch Drücken der Temperatursteuerungspfeile (4 und 5) wählen:

- **Manueller Modus:** Die Bedienperson legt die Bügelgeschwindigkeit selbst fest
- **Automatikmodus:** Die Geschwindigkeit wird entsprechend der Temperaturentwicklung angepasst (z. B. wird die Geschwindigkeit je nach Belastung verringert, wenn die Temperatur schnell sinkt).

Durch Drücken auf STOP wechselt das Programm in die Abkühlungsphase (wenn die Temperatur des Zylinders über 80 °C liegt) und die Maschine stoppt automatisch, wenn die Temperatur 80 °C erreicht hat.

Es ist möglich zu jeder Zeit während der Abkühlungsphase neu zu starten.

Wenn die Temperatur des Zylinders unter 80 °C liegt, stoppt die Maschine durch Drücken von "START-STOP" (1) sofort ohne Abkühlphase.

### 3.4 Wartungsmenü

Im Wartungsmenü können Sie einige Einstellungen vornehmen, die mit dem Betrieb des Geräts zusammenhängen.

Um bei ausgeschalteter Maschine auf das Wartungsmenü zuzugreifen, drücken Sie die Taste für den Zugang zum Wartungsmenü (7), sodass "ENTER CODE - 0000" auf dem Bildschirm angezeigt wird. Geben Sie den Code "1111" mithilfe der Tasten "Temperaturanstieg" (4) zur Auswahl der 1. Ziffer (zwischen 0 und 9) und der "Bestätigungstaste" (6) zur Bestätigung und Weiterschaltung zur 2. Ziffer usw. ein.

#### Liste der Einstellungen:

Die Werte können mit den Tasten 4 und 5 geändert werden, die durch Drücken der Bestätigungstaste (6) zu bestätigen sind.

- **MAX TEMP:** Maximale Solltemperatur entspricht der vom Benutzer einstellbaren maximalen Solltemperatur. Einstellbar von 100°C bis 180°C (Standardwert = 180°C)
- **PREHEATING:** Vorwärmtemperatur einstellbar von 20°C bis 180°C (Standardwert = 130°C).
- **COOL DOWN TEMP:** Kühltemperatur, bei der sich die Maschine automatisch abschaltet. Einstellbar von 60°C bis 105°C (Standardwert = 80°C)
- **PREVENTIVE MAINTENANCE:** Es ist möglich, eine Zeit in Stunden zu programmieren, und wenn diese Betriebszeit erreicht ist, erscheint bei jedem Einschalten der Maschine eine Meldung (Standardwert = 0, keine Meldung) mit dem Ziel, eine vollständige Wartung an der Maschine zu planen (siehe Kapitel 6). Die Meldung kann im Statistikmenü zurückgesetzt werden (Siehe Kapitel 3.5).

### 3.5 Statistikmenü

Im Statistikmenü können Sie sich einige Statistiken der Maschine ansehen und den Wartungszähler zurücksetzen.

Um bei ausgeschalteter Maschine auf das Statistikmenü zuzugreifen, drücken Sie die Taste für den Zugang zum Wartungsmenü (7), sodass "ENTER CODE - 0000" auf dem Bildschirm angezeigt wird. Geben Sie den Code "1234" mithilfe der Tasten "Temperaturanstieg" (4) zur Auswahl der 1. Ziffer (zwischen 0 und 9) und der "Bestätigungstaste" (6) zur Bestätigung und Weiterschaltung zur 2. Ziffer usw. ein.

- **TOTAL TIME:** entspricht der Zeit in Stunden, in der das Gerät eingeschaltet ist.
- **RUN TIME:** entspricht der Zeit in Stunden, in der der Rechner läuft.
- **HEAT TIME:** entspricht der Zeit in Stunden, in der sich die Maschine in der Aufwärmphase befindet.
- **PREVENTIVE HOURS:** entspricht der Zeit in Stunden ab dem Zeitpunkt, an dem die vorbeugende Wartung im Wartungsmenü programmiert wurde (siehe Kapitel 3.4).
- **RESET COUNTER M:** Ermöglicht Ihnen, die Statistik "PREVENTIVE HOURS" zurückzusetzen, indem Sie mit den Tasten 4 und 5 "YES" wählen, mit 6 bestätigen und so die Meldung über die vorbeugende Wartung ("PREV MAINTENANCE") löschen, die bei jedem Einschalten erscheint, wenn die im Wartungsmenü (siehe Kapitel 3.4) festgelegte Anzahl von Stunden erreicht ist.

## 4 TECHNISCHE BESCHREIBUNG

### 4.1 Kurbelbetrieb (bei Stromausfall)



Im Falle eines **Stromausfalls oder eines Hardwarefehlers** (Anhalten der Maschine, wenn der Zylinder heiß ist) ist es unerlässlich, die Bügelgurte sofort vom Zylinder zu trennen.

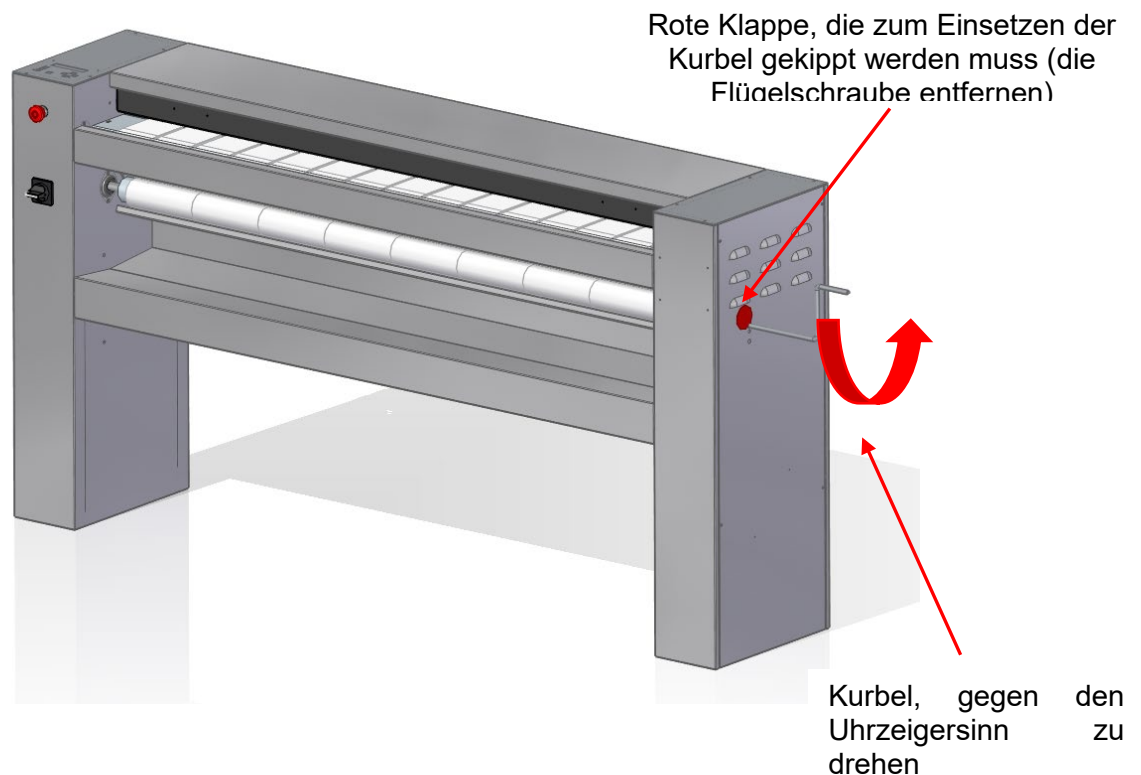
Führen Sie hierzu ein dickes, sehr feuchtes Tuch der richtigen Größe (nur leicht ausgewrungen) in die Maschine ein, indem Sie die dafür vorgesehene Kurbel betätigen (die Kurbel muss jederzeit zugänglich sein, ihre Ausgangsposition befindet sich auf der rechten Seitenwand der Maschine).

Rasten Sie die Handkurbel in dem Loch im rechten Bedienfeld der Maschine ein, nachdem Sie die rote Klappe nach oben gekippt haben (so dass die Handkurbel wie unten dargestellt eingerastet werden kann). Wenn die rote Klappe nach oben gekippt ist, kann die Maschine nicht gestartet werden und es erscheint ein Alarm, wenn START- STOP gedrückt wird (Alarm 2).

Drehen Sie die Handkurbel kontinuierlich gegen den Uhrzeigersinn, bis das Gewebe mehrmals und ausreichend durch die Maschine gelaufen ist, um den Zylinder und die Bänder zu kühlen und zu schützen.

Mindestens zwei Personen sind erforderlich, um diese Manipulation **im Notfall** durchzuführen, eine oder zwei Personen, um die Wäsche einzulegen, während eine weitere Person die Kurbel dreht.

Beim Herausziehen der Kurbel kippt die Klappe in ihre ursprüngliche Position nach unten und betätigt einen Sicherheitskontakt, der das Einschalten der Maschine zulässt.

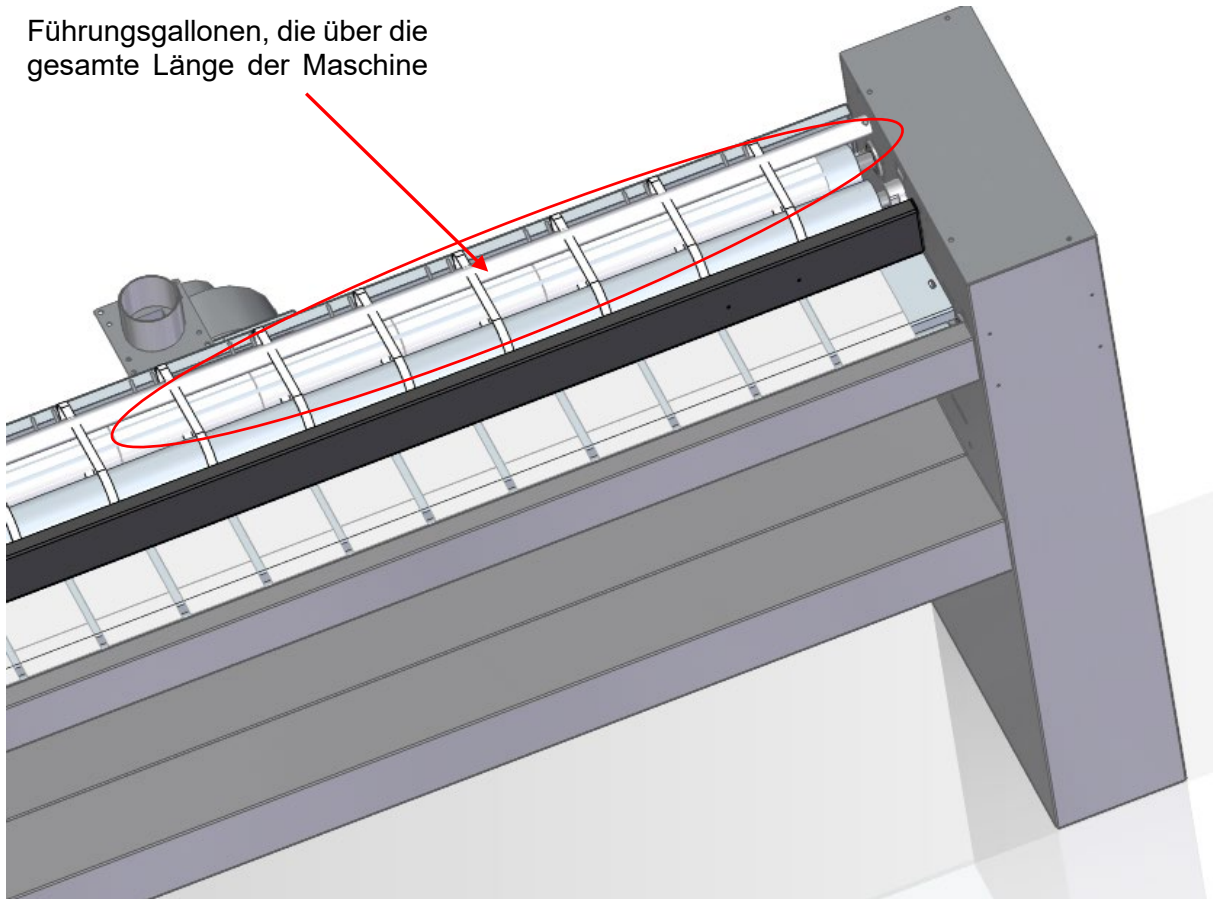


## 4.2 Ersetzen von Führungsgallonen

Führungsgallonen verhindern, dass sich die Wäsche um die Andruckwalze wickelt. Prüfen Sie daher regelmäßig, ob keine Führungsgallonen fehlen. Deren Anwesenheit ist unabdingbar.

Die Führungsgallonen-Referenz ist 12156329 (meterweise geliefert).

Führungsgallonen, die über die gesamte Länge der Maschine



Um Zugang zu den Führungen zu erhalten, nehmen Sie die obere Platte ab.

Gallonen müssen mit Klammern aus rostfreiem Stahl gesichert und nicht mit Knoten gebunden werden (dies könnte Spuren auf der Wäsche hinterlassen). Sie sollten nicht straff, sondern leicht flexibel montiert werden, denn unter Hitzeeinwirkung schrumpft die Gallone und kann schnell brechen. Dehnen Sie sie nicht, da sie sonst vorzeitig brechen würden.

## 4.3 Längerer Stillstand und Paraffinierung

Um Korrosion des Zylinders zu verhindern, insbesondere bei längerem Stillstand (über 1 Woche), ist es notwendig, den Zylinder mit einer Paraffinbeschichtung zu überziehen. Hierzu ist wie folgt vorzugehen:

- Maschine steht still, Zylinder leicht heiß (zwischen 110 °C und 100 °C in der Regel- oder Abkühlungsphase)
- Heben Sie die oberen Platten an.
- Drehen Sie den Zylinder langsam.
- Beschichten Sie die Oberfläche des Zylinders in aufeinanderfolgenden Durchgängen mit Paraffinwachs, so dass die gesamte Oberfläche des Zylinders beschichtet wird.

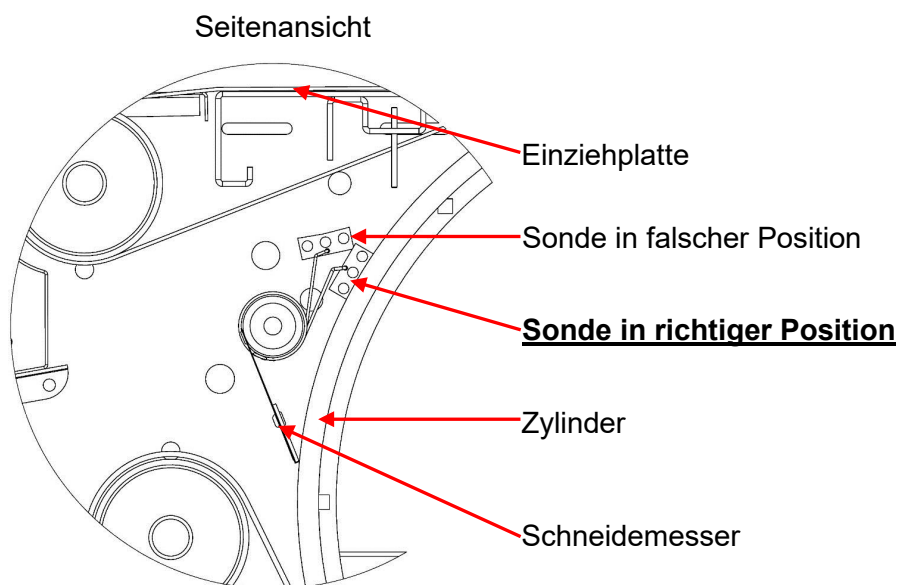
- Legen Sie dann für die Dauer der verlängerten Abschaltung ein flaches Wäschestück um die Walze.

Paraffinblock-Referenz: 12156317

Wenn die Maschine nach einem längeren Stillstand neu gestartet wird, verdampft das Paraffin auf natürliche Weise bei hoher Temperatur. Es ist jedoch ratsam, vor Beginn der normalen Produktion einige abgenutzte flache Tücher hindurch laufen zu lassen, um das gesamte Paraffin zu entfernen.

#### **4.4 Kontrolle und Reinigung der Sonden**

Die Maschine ist mit 2 Sonden ausgestattet, die sich auf dem Zylinder unter der Einziehplatte befinden, in dem die 2 Temperatursonden und das Sicherheitsthermostat untergebracht sind. Diese ermöglichen, die Temperatur des Zylinders zu regulieren und zu sichern. Die korrekte Position der Sensoren muss vor jeder Inbetriebnahme (kalte Maschine) überprüft werden, und sie sind regelmäßig zu reinigen (Fussel) (siehe Kapitel 6).



## 5 ANOMALIEN UND ALARME

### 5.1 Verschiedene Anomalien

Die Maschine ist mit einem Mikroprozessor ausgestattet, der über im Folgenden näher erläuterte Alarme verfügt, um den Benutzer über verschiedene Betriebs- und Sicherheitsprobleme zu informieren oder informativ Alarm zu geben. Es können jedoch einige Anomalien auftreten, ohne dass der Bildschirm einen Alarm anzeigen kann, einschließlich folgender nicht vollständiger Liste:

ANOMALIEN	PRÜFUNGEN
Der Bildschirm ist aus	Prüfen, ob der Wahlschalter in der Position „I“ steht
	Prüfen, ob die elektrische Spannung die Maschine erreicht
	Prüfen, ob das Not-Aus nicht betätigt wurde
	Die Steuersicherung F1 prüfen
Der Zylinder dreht sich langsam	Die Vorwärmtemperatur von 130°C muss erreicht sein
Die Zylindertemperatur steigt nicht an	Überprüfen Sie den Sicherheitsthermostat mit manueller Rückstellung, der sich links im Gestell der Maschine befindet. Wenn er eingeschaltet ist, nicht wieder einschalten, wenn die Temperatur des Zylinders über 150 °C liegt
Die Zylindertemperatur ist sehr hoch und entspricht nicht der auf dem Display angezeigten Temperatur	Prüfen, ob die Sonden sauber sind und sich in der richtigen Position befinden
Die Bügelqualität ist schlecht	Prüfen Sie die Spannung und/oder den Verschleiß der Bügelgurte. Ersetzen Sie sie gegebenenfalls.
	Überprüfen Sie den Zustand des Drückervlieses und ersetzen Sie es gegebenenfalls
	Prüfen Sie die Spannung und/oder den Verschleiß der Eingriffsbänder. Ersetzen Sie sie gegebenenfalls
	Die Temperatur und/oder Geschwindigkeit sind nicht an die Art der Wäsche angepasst
Das Gerät überhitzt sich auf einer Seite (die Streifen werden dunkler als auf der anderen Seite)	Darauf achten, dass die Wäsche gleichmäßig über die gesamte Arbeitslänge des Zylinders verteilt wird (siehe Kapitel 3.1)
Nach dem Trocknen/Bügeln, am Ausgang der Maschine, ist die Wäsche statisch aufgeladen und "klebt" an den Bügelbändern	Fügen Sie während des Waschgangs in der letzten Spülung einen Weichspüler mit antistatischen Eigenschaften hinzu und/oder senken Sie den PH-Wert des Wassers in der letzten Spülung auf 5.
Die Wäsche kommt vergilbt heraus	Die Wäsche wird schlecht gespült (Waschmittelrückstände) oder die Temperatur des Zylinders ist zu hoch.
Der Zylinder wird weiß	Das zum Waschen der Kleidung verwendete Wasser hat einen hohen TH-Wert (reduzieren Sie ihn unter 14)

## 5.2 Alarmliste

ALARM	BESCHREIBUNG	URSACHE / LÖSUNG
ALARM 1	Fingerschutz der Platte	Der Fingerschutz der Platte ist eingerastet. Wenn das Problem weiterhin besteht, überprüfen Sie die elektrischen Kontakte zum Fingerschutz der Platte im linken und rechten Rahmen.
ALARM 2	Kurbelsicherung	Die Kurbelsicherung wurde aktiviert, das rote Schild ist nicht in der richtigen Position. Wenn das Problem weiterhin besteht, überprüfen Sie den elektrischen Kontakt im rechten Rahmen.
ALARM 6	Defekt des Reglers	Der Antrieb des Zylindermotors ist defekt (sichtbar auf der Antriebsanzeige). Überprüfen Sie den Antriebsmotor, die Verkabelung zwischen Umrichter und Motor, die Versorgungsspannung des Reglers, usw.
ALARM 7	Fehler Temperatursensor NTC1 (Regelung)	Der Temperatursensor NTC1 ist abgeklemmt oder defekt.
ALARM 8	Vorbeugende Wartung	Diese Meldung erscheint bei Erreichen des Stundenzählers (eingestellt im Wartungsmenü) als Warnung, um vorbeugende Wartungsarbeiten an der Maschine durchzuführen (siehe Kapitel 3.4 und 3.5).
ALARM 9	CAN-Kommunikationsfehler	Die Kommunikation zwischen der Bildschirnkarte (A13) und der Relaiskarte (A10) ist unterbrochen oder fehlerhaft.
ALARM 10	Heizfehler	Die eingestellte Temperatur wurde nach 90 Minuten Betrieb nicht erreicht.
ALARM 12	Überhitzung (Sicherheitsthermostat)	Aufgrund von Überhitzung wurde der Sicherheitsthermostat ausgelöst. Es kann manuell zurückgesetzt werden und befindet sich im linken Chassis.

Besteht einer der Alarme weiter, kontaktieren Sie bitte den technischen Dienst Ihres Fachhändlers.



## 6 VORBEUGENDE WARTUNG

Alle Wartungsarbeiten müssen von qualifiziertem Personal durchgeführt werden.

**VOR JEGLICHEN WARTUNGSARBEITEN MUSS DIE STROMVERSORGUNG DER BÜGELMASCHINE MIT DEM HAUPTSCHALTER DER ANLAGE AUSGESCHALTET WERDEN UND DIE SPANNUNGSFREIHEIT GEPRÜFT WERDEN.**

**ACHTUNG: WIRD DIE WARTUNG DIREKT NACH DEM BÜGELN DURCHGEFÜHRT, KÖNNEN EINIGE MASCHINENTEILE NOCH HEISS SEIN UND ES BESTEHT VERBRENNUNGSGEFAHR.**

**WÄHREND DER WARTUNG MUSS EINE GEEIGNETE PERSÖNLICHE SCHUTZAUSRÜSTUNG VERWENDET WERDEN (Handschuhe, Prüfgerät für Spannungsfreiheit etc.)**

Die Sicherheitseinrichtungen dürfen nicht (auch nicht vorübergehend) entfernt oder geändert werden. Kontaktieren Sie im Zweifel den technischen Dienst des Fachhändlers unter Angabe des Modells und der Seriennummer der Maschine.

### KEIN WASSER AUF DIE MASCHINE SPRÜHEN

Im Wartungsmenü kann ein Alarm programmiert werden, der darauf hinweist, dass eine vorbeugende Wartung durchgeführt werden sollte (siehe Kapitel 3.4). Dieser Alarm ist nach Betriebsstunden programmierbar, d.h. nach der programmierten Anzahl von Arbeitsstunden erscheint der Alarm bei jedem Einschalten der Maschine auf dem Display, bis ein neues Wartungsprogramm programmiert oder der Alarm deaktiviert wird.

Nachfolgend finden Sie eine Tabelle, die zusammenfasst, welche vorbeugende Wartung wie oft durchgeführt werden muss:

Kontroll- und Wartungspunkte	Häufigkeit (Stunden)
Überprüfung aller Sicherheitseinrichtungen der Maschine: Not-Aus, Fingerschutz der Platte, Kurbelsicherung, Sicherheitsthermostat, Erdung (elektrisch).	500
Allgemeine Reinigung: innen, in den Rahmen (Fusseln und Fett), Lüftungsturbine, Abstreiferblätter, Sonden, Druckschalter-Schläuche, usw.	
Überprüfen Sie den Zustand der Messtaster und deren Position (siehe Kapitel 4.5)	
Ersatz aller Führungsgallonen (siehe Kapitel 4.3)	
Überprüfung und Festziehen der elektrischen Verbindungen am Trennschalter, am Heizschütz und an den Widerständen	

Kontroll- und Wartungspunkte	Häufigkeit (Stunden)
Prüfen Sie die Spannung der (großen) Antriebskette und schmieren Sie die (große) Antriebskette, die (kleine) Druckrollenkette und die Kettenräder leicht mit flüssigem Fett ein (siehe Darstellung der Ketten unten)	1000
Kontrollieren Sie visuell den Zustand der Bügelgurte, Einspanngurte, Drückervliese und Faltbänder des Falzapparates, um gegebenenfalls deren Austausch vorwegzunehmen	
Prüfen Sie die Spannung der Bügelgurte, Einspanngurte, des Drückervlieses und der Faltbänder des Falzapparates. Die Einstellung dieser Spannungen muss auf jeder Seite gleich sein.	
Sichtprüfung des Zustands der Seitenrollen (x2), um gegebenenfalls deren Austausch vorwegzunehmen.	
Auslasskanal reinigen	

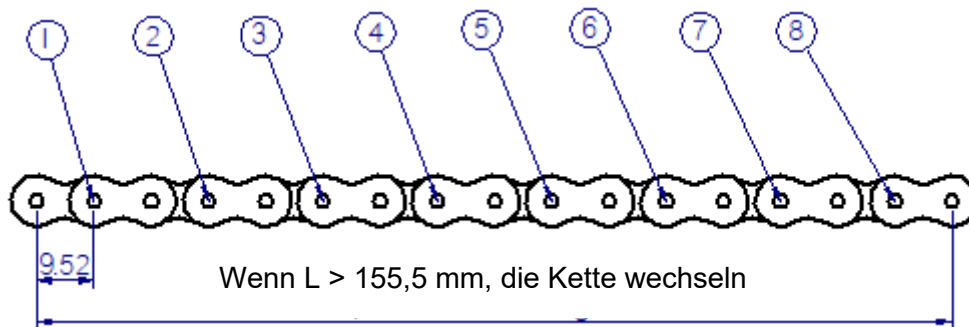
**ANMERKUNG:** Die Häufigkeit wird auf der Grundlage einer 40-Stunden-Woche festgelegt, 2000 Stunden entsprechen etwa einem Jahr.

Die Ketten verfügen über ein Schnellglied, um den Ausbau zu vereinfachen.

Die Kette der Antriebsrolle (groß) wird automatisch durch ein Kettenspannrad gespannt, das für den Ausbau der Kette gelockert und nach dem Einbau wieder festgezogen werden muss. Die Antriebskette der Druckrolle (klein) ist absichtlich nicht gespannt.

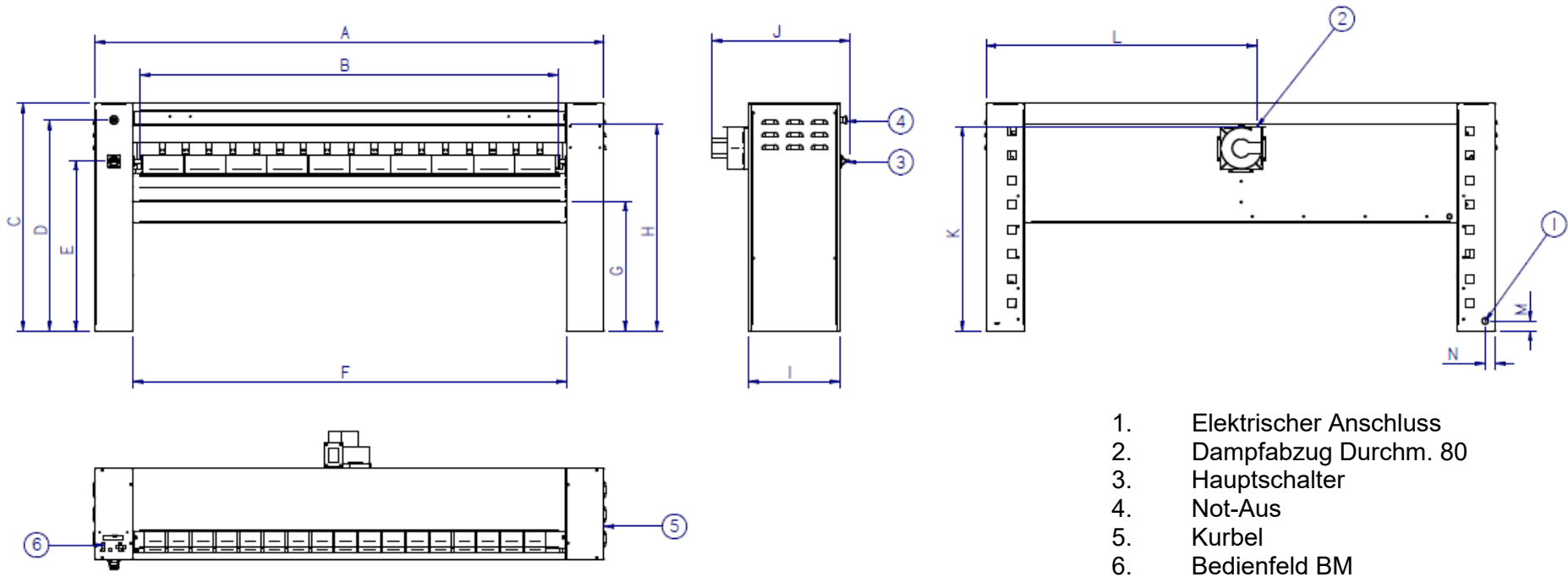
Das unten stehende Schema hilft Ihnen, den Verschleißzustand der Ketten zu bestimmen und wann sie gewechselt werden müssen:

**Kleine und große Antriebsketten (Teilung = 9,52 mm)**



**DEUTSCH**

## 7. ANORDNUNGSPLÄNE



1. Elektrischer Anschluss
2. Dampfabzug Durchm. 80
3. Hauptschalter
4. Not-Aus
5. Kurbel
6. Bedienfeld BM

Typ	A	B	C	D	E	F	G	H	I	J	K	L	M	N
<b>PS-20/140 M</b>	1878	1470	1110	1028	830	1510	631	1006	444	666	995	1016	50	50
<b>PS-20/160 M</b>	2128	1720	1110	1028	830	1760	631	1006	444	666	995	1141	50	50
<b>PS-20/200 M</b>	2478	2070	1110	1028	830	2110	631	1006	444	666	995	1316	50	50



**MANUALE DI ISTRUZIONI**

**CALANDRE COMPATTE**

PS-20/140 M

PS-20/160 M

PS-20/200 M

12314877

01/09/2022

**Fabricant / Manufacturer / Fabricante :**

**ONNERA GROUP**

Parc d'activité de Sologne, BP 19 41600 LAMOTTE BEUVRON – France  
Tél. +33 (0)2 54 88 05 76 – Fax +33 (0)2 54 96 89 04

**Type de la machine / Type of the machine / Tipo de la máquina :**

Sécheuses repasseuses, Flatwork ironers, Calandras

**Modèle. Model. Modelo**

PS-20/140 M E, PS-20/160 M E, PS-20/200 M E  
PS-35/140 M G, PS-35/160 M G, PS-35/200 M G,  
PS-35/140 M E, PS-35/160 M E, PS-35/200 M E  
PS-35/200 M PLUS E, PS-35/260 M PLUS E, PS-35/330 M PLUS E  
PS-35/200 M PLUS GR, PS-35/260 M PLUS GR, PS-35/330 M PLUS GR

*Nous déclarons sous notre responsabilité que les machines, dont le type est indiqué ci-dessus, ont été fabriquées en conformité avec les directives U.E. suivantes :*

*We herewith declare under our responsibility that the machines whose type is stated above have been manufactured in conformity with the following E.U. directives:*

*Declaramos bajo nuestra responsabilidad que las máquinas cuyo tipo se indica arriba se ha fabricado conforme a las U.E. directivas siguientes:*

- **Machine Directive 2006/42/EC (include Low voltage directive 2014/35/UE)**
- **Electromagnetic compatibility Directive 2014/30/UE**
- **RoHS II-directive 2011/65/UE**
- **Regulation (EU) 2016/426 “gas appliances” registered under No 029 M**

*Pour lesquelles nous avons suivi les normes / For what have been followed the standards / Para lo cual se han seguido las normas :*

**EN-60204-1:** Sécurité des machines - Equipements électriques des machines – Règles générales / Safety of machinery - Electrical equipment of machines -- General requirements / Seguridad de las máquinas. Equipo eléctrico de las máquinas. Requisitos generales.

**NF EN ISO 10472-1+5 :** Exigences de sécurité pour les machines de blanchisserie industrielle – Prescriptions communes + sécheuses repasseuses / Safety requirements for industrial laundry machinery. Common requirements + Flatwork ironer / Requisitos de seguridad para la maquinaria de lavandería industrial. Requisitos comunes + calandra

**EN-61000-6-2 + EN-61000-6-4 :** Compatibilité électromagnétique (CEM) - Immunité + Emission / Electromagnetic compatibility (EMC) - Immunity + Emission / Compatibilidad electromagnética (CEM). Inmunidad + Emisión

Le 06/09/2022,

Approbateur Technique, Technical aprobator, Aprodor tecnico :

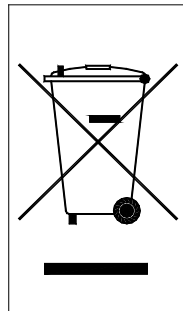
**ONNERA GROUP**  
Parc d'activités de Sologne  
3 rue Léonard de Vinci  
41600 Lamotte Beuvron France  
Tél. 0033 2 54 88 05 76  
SIRET 342 222 759 00058



I documenti tecnici contengono informazioni riservate. Si informa che è vietato divulgare e copiare questi documenti e che procederemo per le vie legali contro gli autori di eventuali copie.

**Trattamento dei dispositivi elettrici ed elettronici alla fine del ciclo di vita**

Questo simbolo, apposto sul prodotto o sulla confezione, indica che il prodotto non deve essere smaltito con i rifiuti domestici. Deve essere consegnato ad un punto di raccolta preposto al riciclaggio di apparecchiature elettriche ed elettroniche.



**ISTRUZIONI ORIGINALI**  
**CALANDRA ASCIUGANTE PS-20/ M E**

**ATTENZIONE**



Rischio di schiacciamento delle dita



Rischio elettrico



Rischio di ustioni

**1 PRINCIPIO GENERALE**

1.1	Introduzione.....	3
1.2	Principio di funzionamento.....	4
1.3	Sicurezza .....	5
1.3.1	Sicurezza salva-dita.....	5
1.3.2	Sicurezza della manovella .....	5
1.3.3	Sicurezza relativa al riscaldamento .....	5
1.4	Riscaldamento.....	6
1.5	Opzioni.....	6

**2 MANUALE TECNICO DI INSTALLAZIONE**

2.1	Targhetta di identificazione.....	7
2.2	Installazione.....	7
2.2.1	Movimentazione e imballaggio .....	7
2.2.2	Caratteristiche del locale .....	8
2.2.3	Ubicazione.....	8
2.2.4	Livellamento .....	9
2.2.5	Allacciamento elettrico.....	10
2.2.6	Collegamento degli scarichi dei vapori .....	11
2.2.7	Prima messa in servizio .....	12

**3 MANUALE D'USO**

3.1	Raccomandazioni d'uso.....	13
3.2	Descrizione del pannello di controllo.....	13
3.3	Esecuzione di un ciclo.....	14
3.4	Menu manutenzione.....	15
3.5	Menu statistiche.....	16

**4 MANUALE TECNICO**

4.1	Uso della manovella (in caso di interruzione di corrente).....	17
4.2	Sostituzione delle fettucce di guida.....	18
4.3	Arresto prolungato e paraffinatura (esclusa l'opzione di nichelatura).....	18
4.4	Controllo e pulizia dei portasonda.....	19

**5 ANOMALIE E ALLARMI**

5.1	Anomalie varie.....	20
5.2	Elenco degli allarmi.....	21

**6 MANUTENZIONE PREVENTIVA**

22

**7 PIANO DEL SITO**

7.1	Piano del sito .....	24
-----	----------------------	----



## 1. PRINCIPIO GENERALE

### 1.1. Introduzione

Grazie per la fiducia riposta nel nostro prodotto. Ci auguriamo che soddisfi le esigenze d'acquisto. La garanzia non copre danni a componenti in vetro o a materiali di consumo (guarnizioni, lampadine, tessuti, ecc.) né danni ai materiali isolanti o danni causati da un'errata installazione del dispositivo o da un uso improprio, manutenzione insufficiente o condizioni generali compromesse.

Questo apparecchio è soggetto a modifiche e alterazioni dovute ai relativi progressi tecnici.

**AVVERTENZA:** Per ridurre il rischio di scosse elettriche o lesioni durante l'utilizzo del dispositivo, seguire le precauzioni di base, tra cui:

- 1- **LEGGERE** tutte le istruzioni prima di utilizzare l'apparecchio e **CONSERVARLE** presso un luogo di facile accesso per poter chiarire eventuali dubbi.
- 2- Questo dispositivo deve essere installato da un servizio di assistenza tecnica ufficiale o approvato. Un'installazione impropria, una regolazione errata, un'assistenza o una manutenzione inadeguata, così come un'eventuale manipolazione errata dell'apparecchio possono causare danni materiali e lesioni personali. Leggere attentamente le istruzioni del presente manuale prima di mettere in servizio l'apparecchio. Lo stesso riporta informazioni importanti relative all'installazione dell'unità.
- 3- Un'installazione, un'assistenza, una manutenzione e/o una pulizia e modifica impropria dell'apparecchio possono causare danni all'unità stessa nonché lesioni personali agli utenti.
- 4- Il mancato rispetto delle regole di condotta indicate implica la perdita di qualsiasi garanzia.
- 5- Scollegare l'apparecchio in caso di guasto o malfunzionamento.
- 6- **NON ASCIUGARE/STIRARE** biancheria precedentemente trattata, lavata, imbevuta o macchiata di benzina, solventi per lavaggio a secco o altre sostanze infiammabili o esplosive che potrebbero incendiarsi o esplodere.
- 7- **NON AGGIUNGERE** benzina, solventi per lavaggio a secco o altre sostanze infiammabili nell'acqua di lavaggio. Queste sostanze emettono vapori che possono prendere fuoco o esplodere.
- 8- **NON LASCIARE** giocare i bambini nei pressi o sull'apparecchio. Sorvegliare attentamente i bambini quando si trovano vicino a una macchina in funzione.
- 9- Questo apparecchio non è destinato all'uso da parte di persone (compresi i bambini) con ridotte capacità fisiche, sensoriali o mentali o in mancanza di esperienza e conoscenza, a meno che la persona responsabile dell'utilizzo non sia supervisionata o istruita all'uso.
- 10- **Non installare o stoccare** l'apparecchio senza proteggerlo dalle intemperie.
- 11- **Non forzare** i comandi.
- 12- **Non riparare né sostituire alcuna parte** dell'apparecchio e non tentare di eseguire interventi di manutenzione se non diversamente raccomandato nelle istruzioni per l'uso. Tuttavia, assicurarsi sempre di aver compreso perfettamente le istruzioni e di avere le capacità per eseguirle.
- 13- Non rimuovere alcun dispositivo di sicurezza e non modificare alcuna parte della lavatrice. **NON INSTALLARE** elementi estranei all'interno della macchina.
- 14- Il mancato rispetto delle istruzioni contenute nei manuali d'uso può provocare lesioni. Non è possibile menzionare tutti i casi e le situazioni possibili nelle avvertenze di pericolo. Il **senso comune**, la precauzione e l'attenzione sono quindi fattori che devono essere apportati dalla persona o dalle persone che trasportano, installano, usano o intervengono sulla macchina.
- 15- **NON** utilizzare la macchina sino a quando tutti i coperchi e le protezioni non sono correttamente in sede e fissati.
- 16- Il distributore (venditore) deve **OBBLIGATORIAMENTE** formare correttamente l'utente durante la messa in servizio.
- 17- Pulire le vaschette di ingresso e di uscita ogni giorno.
- 18- Se necessario, questa documentazione può essere richiesta in formato digitale al seguente indirizzo [info.laundry@fagorprofessional.com](mailto:info.laundry@fagorprofessional.com) / [info@fagorprofessional.com](mailto:info@fagorprofessional.com)

## 1.2. Principio di funzionamento

Questo tipo di macchina è progettato per asciugare e stirare solo biancheria piana come lenzuola o tovaglie.

Appoggiando la biancheria orizzontalmente sul ripiano d'ingresso nella parte anteriore della macchina, questa viene trasportata automaticamente al rullo di asciugatura/stiratura dai nastri di introduzione.

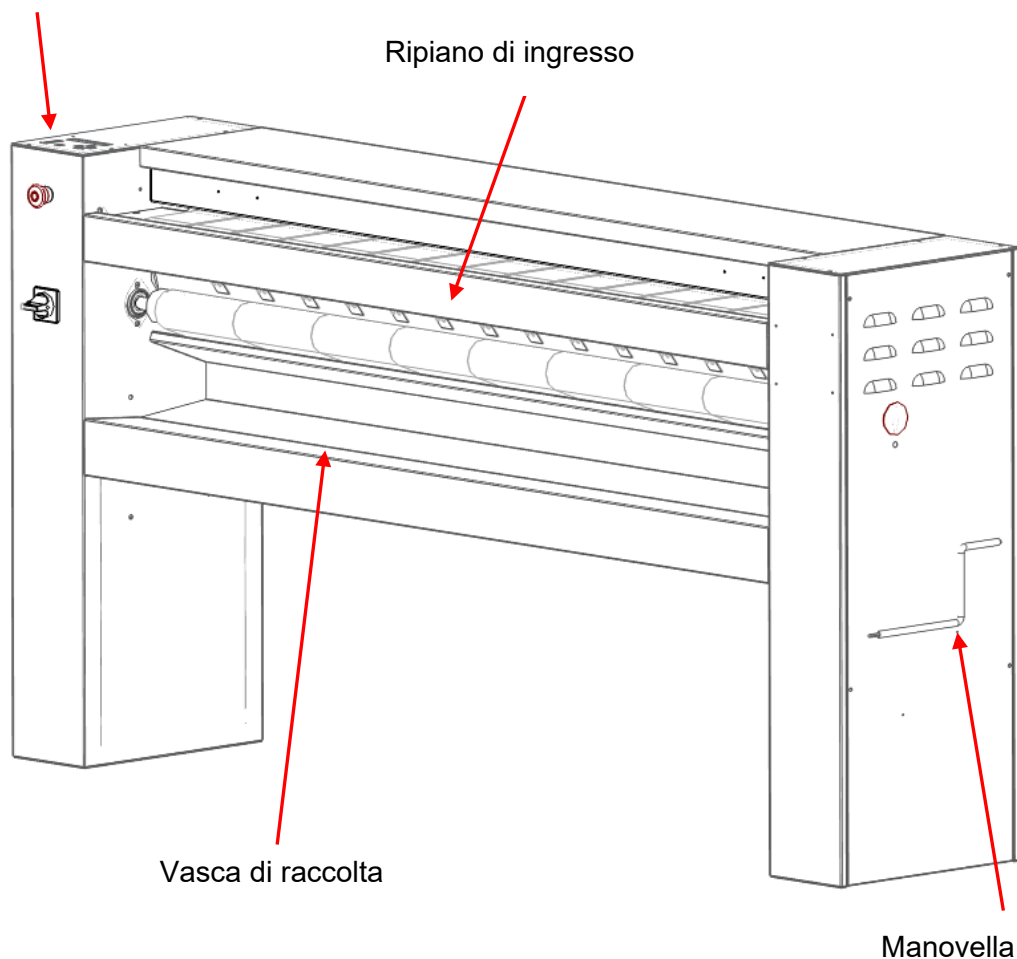
Poi, il passaggio della biancheria sotto il rullo pressore circondato dal mollettone assicura una prima calandratura grazie ad una pressione costante e auto-regolata a seconda dello spessore della biancheria da un sistema di molle di compensazione.

L'asciugatura/stiratura viene effettuata con nastri di qualità "Nomex" e con un rullo riscaldato. Una volta asciutta e stirata, la biancheria viene automaticamente indirizzata alla vasca di raccolta tramite lamelle a molla metalliche con teflon, queste lamelle vengono allungate con pattini di teflon per evitare segni sui nastri.

La biancheria esce, asciutta, stirata e perfettamente calandrata per una tenuta e una presentazione perfette.

La macchina è controllata tramite un pannello di comando che permette la velocità e la temperatura, così come differenti parametri.

Pannello di controllo



Tipo di macchina	PS-20/140 M	PS-20/160 M	PS-20/200 M
Produzione teorica (kg/h)	10-12	13-15	19-21
Ø Rullo (mm)	200	200	200
Larghezza utile (mm)	1400	1600	2000
Velocità di lavoro (m/min)	1,5-6	1,5-6	1,5-6
Altezza di caricamento in mm	990	990	990
Livello di rumore (dB)	63	63	63
Capacità di evaporazione (l/h)	8-10	10-12	12-14

### 1.3. Sicurezza

Oltre all'arresto di emergenza situato vicino al pannello di controllo, la calandra asciugante è dotata di altri dispositivi di sicurezza descritti di seguito:

#### 1.3.1. Sicurezza salva-dita

La sicurezza dell'operatore è garantita da una piastra (ripiano di sicurezza) posta subito dopo il ripiano di ingresso, evitando così che le mani dell'operatore avanzino troppo e prevenendo quindi l'ustione o lo schiacciamento delle dita.

Un leggero contatto su questa piastra di sicurezza fa sì che la macchina si arresti immediatamente e venga visualizzato un allarme sul pannello di controllo. Questo ripiano di sicurezza può essere considerato come l'arresto di emergenza principale della macchina (può essere utilizzato su tutta la lunghezza).

Lo spazio tra il ripiano di ingresso e il ripiano di sicurezza è di 8 mm, questa distanza non deve essere modificata.

#### 1.3.2. Sicurezza della manovella

Quando si utilizza la manovella (vedere capitolo 4.1), è necessario rimuovere la piastra rossa sul lato destro per inserire la manovella e quindi girare manualmente il rullo (in caso di interruzione di corrente e se la macchina è ad alta temperatura). Questa azione, per sicurezza, arresta immediatamente la macchina e visualizza un allarme sul pannello di controllo.

#### 1.3.3. Sicurezza relativa al riscaldamento

La macchina è dotata di un termostato di sicurezza posto sul rullo (in una dei due portasonda) il cui ripristino manuale si trova all'interno del telaio sinistro ed è attivato se la temperatura del rullo è superiore a 205°C. All'accensione del termostato scatta un allarme visibile sul pannello di controllo. **NON RESETTARE IL TERMOSTATO** se la temperatura supera i 150°C sul display, attendere che il rullo si raffreddi.

Nei portasonda sono inoltre installate due sonde di temperatura, una per la regolazione e una per la sicurezza, che visualizzano anche un allarme se una delle due sonde misura una temperatura superiore a 205°C.

## 1.4. Riscaldamento

**Riscaldamento elettrico:** garantito da resistori schermati (il numero di resistenze varia in base al tipo di macchina) posti all'interno del rullo.

Tipo di macchina	PS-20/140 M	PS-20/160 M	PS-20/200 M
Numero di resistenze	3	3	3
Potenza della resistenza (KW)	3,5	4	5
Potenza TOTALE (KW)	10,5	12	15

## 1.5. Opzioni

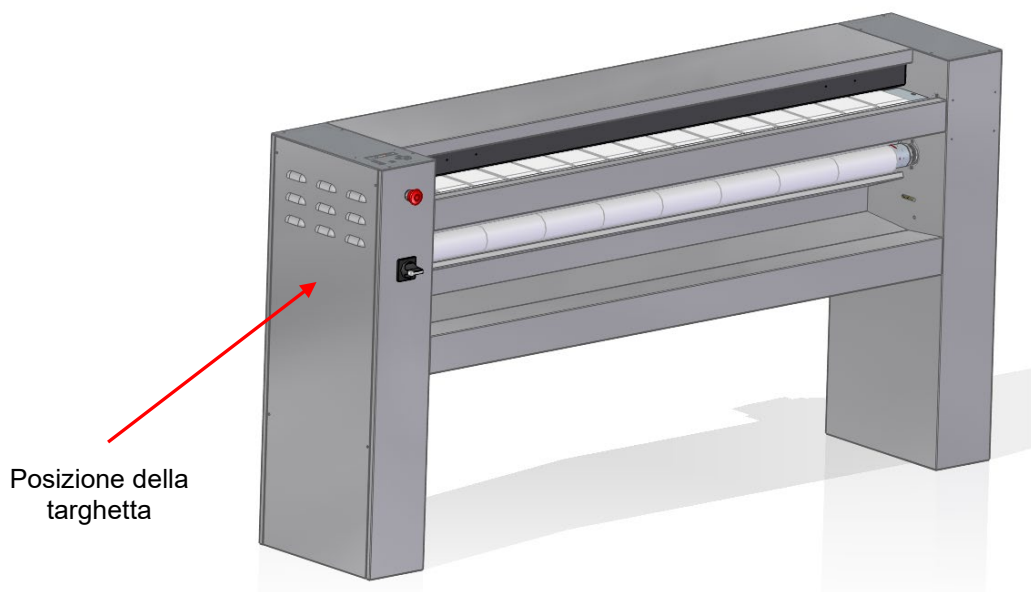
- **Tensione:** Di serie la tensione di alimentazione è di 400V 3P + T + N 50HZ, opzionalmente sono disponibili le seguenti tensioni:
  - 230V 3P + T 50 HZ
  - 230V 3P + T 60 HZ
  - 440V 3P + T 50 HZ (tensione marina)
  - 440V 3P + T 60 HZ (tensione marina)

## 2. MANUALE TECNICO DI INSTALLAZIONE

### 2.1. Targhetta

La targhetta di questa unità si trova sul pannello sinistro. Riporta:

- Tipo di hardware e numero di serie
- Caratteristiche elettriche (tensione, potenze, protezione)
- Potenza totale



### 2.2. Installazione



**Attenzione:** la macchina deve essere installata, regolata e messa in funzione solo da un team di tecnici del costruttore o da tecnici o rivenditori autorizzati dall'azienda.

Allo stesso modo, la presenza del cliente è fortemente raccomandata, specialmente per l'ubicazione e i primi test.

L'apparecchio deve essere installato secondo le regolamentazioni e le norme vigenti, in un locale sufficientemente ventilato, pulito e ordinato prima, durante e dopo l'installazione. Tutti i rifiuti devono essere smaltiti negli appositi contenitori.

#### 2.2.1. Manutenzione e imballaggio

Alla consegna, la macchina deve essere in perfette condizioni e l'imballaggio non deve essere incompleto o danneggiato. Rispettare le indicazioni sul collo (ad esempio fragile, alto e basso, attenzione alla pioggia...). Poiché la macchina ha un peso significativo e dimensioni imponenti (vedere tabella sotto), prevedere mezzi di sollevamento e di corretta manutenzione per intervenire in tutta sicurezza.

La macchina deve essere maneggiata con un carrello elevatore di portata sufficiente e le forche del carrello devono essere distanziate il più possibile per evitarne il ribaltamento.

Poiché la macchina è relativamente lunga, molto spesso questa dovrà essere scaricata dal lato di un camion con rimorchio dotato di apertura laterale (telone).

È assolutamente obbligatorio afferrare la macchina nel relativo centro (centro di gravità sull'asse).

Ad esempio, non inclinare o lasciare cadere la macchina durante lo scaricamento.

**Nota:** in caso di imbracatura (non prevista e **fortemente sconsigliata**), la movimentazione avverrà sotto la completa responsabilità del conduttore (**rischio di deformazione della macchina**).

	DIMENSIONI in mm		PESO (KG)		Volume (m3) lmb.
	(Larghezza x Profondità x Altezza)		senza imballaggio	con imballaggio	
	fuori tutto	con imballaggio			
<b>PS-20/140 M</b>	1878x666x1110	2130x770x1400	180	220	2,3
<b>PS-20/160 M</b>	2128x666x1110	2340x770x1400	203	240	2,52
<b>PS-20/200 M</b>	2478x666x1110	2780x770x1400	237	275	3

### 2.2.2. Caratteristiche del locale

- La macchina deve essere installata in una stanza ben ventilata con una corretta illuminazione e una temperatura ambiente compresa tra + 10°C e + 40°C (temperatura limite per il variatore elettronico di frequenza del motorino di azionamento).

- Per ottenere prestazioni ottimali della macchina, è necessario assicurarsi che l'aria fresca entri dall'esterno della stanza, il più vicino possibile alla macchina.

La sezione di ingresso dell'aria fresca deve essere almeno 4 volte superiore rispetto alla sezione del tubo di uscita; a seconda del modello ci possono essere due tubi di scarico in uscita.

**Nota:** la sezione di ingresso dell'aria fresca equivale alla sezione attraverso la quale l'aria può muoversi senza resistenza grazie alla griglia installata all'ingresso stesso. Si deve tener conto del fatto che spesso le barre della griglia occupano gran parte della sezione della griglia.

È necessario lasciare uno spazio sufficiente intorno alla macchina per consentire il corretto funzionamento:

- 10 cm minimo sul retro che includono il .
- Da 60 a 80 cm su ogni lato per la cura e la manutenzione.
- Prevedere sulla parte frontale lo spazio necessario per consentire all'operatore di intervenire in modo corretto e senza correre pericoli.

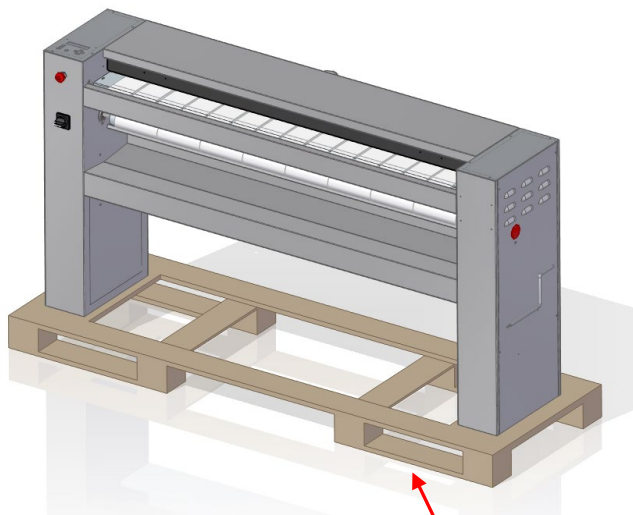
Per l'installazione di una macchina del genere è necessario disporre di una resistenza a terra minima (si veda tabella qui di seguito).

Tipo di macchina	PS-20/140 M	PS-20/160 M	PS-20/200 M
Peso (KG)	180	203	237
Superficie a terra (m <sup>2</sup> )	1,25	1,4	1,65
Sforzo statico (daN/m <sup>2</sup> )	692	780	911

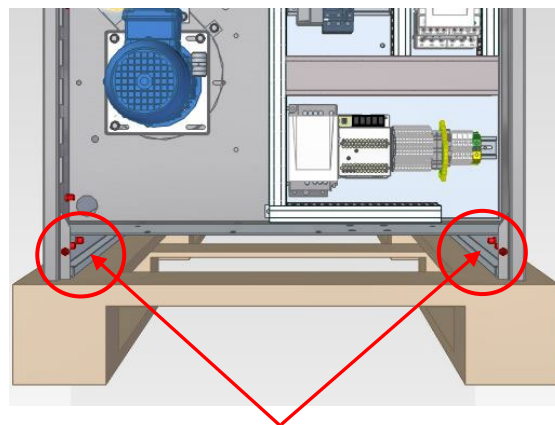
### 2.2.3. Ubicazione

Prima di rimuovere gli elementi di trasporto (pallet e travi), avvicinare il più possibile la macchina al luogo di installazione finale.

La calandra asciugante viene consegnata su un pallet che viene fissato ai 4 angoli della macchina con 4 viti. Per accedere alle viti e rimuoverle, è necessario rimuovere i pannelli laterali.



Pallet



Posizione delle viti  
(vista dal lato sinistro)

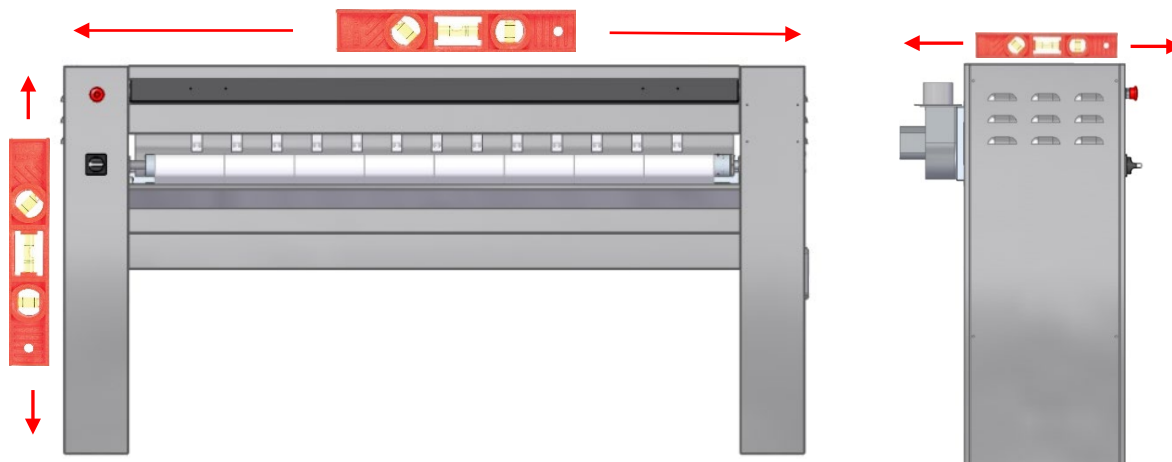
Dopo aver rimosso le 4 viti, rimuovere il pallet e poggiare delicatamente la macchina al suolo.

### 2.2.4 Livellamento



**Il perfetto livellamento orizzontale e verticale della macchina è indispensabile per un corretto funzionamento.**

Se necessario, aggiungere spessori sotto la macchina.



Se il livello non è corretto, le fasce stiranti si spostano lateralmente (a sinistra o a destra), aumentando così l'usura delle fasce.



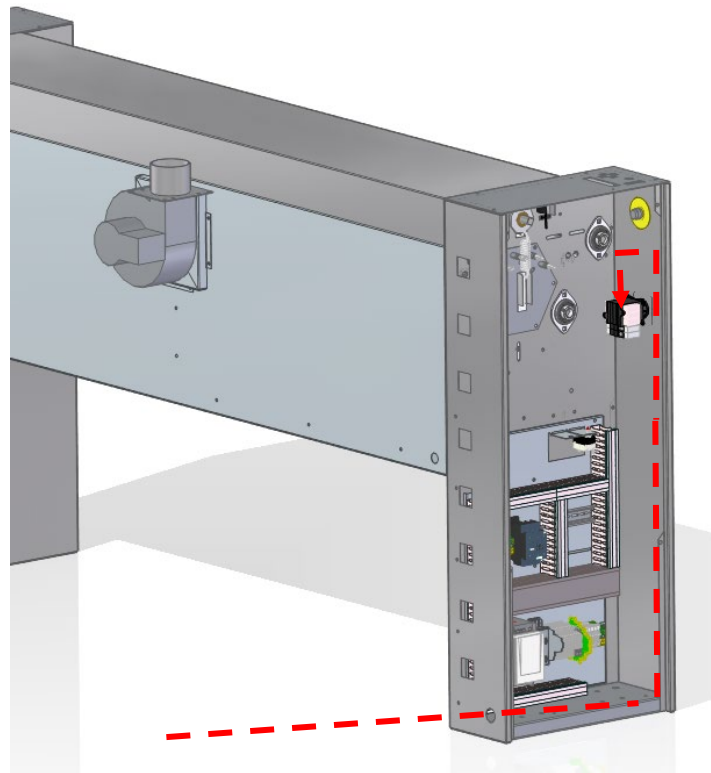
### 2.2.5 Allacciamento elettrico

Il cavo di alimentazione elettrica non è fornito.

La macchina deve essere collegata elettricamente tramite un cavo elettrico avente le caratteristiche definite nelle tabelle seguenti e protetta da un **interruttore differenziale 300 mA o 30 mA SI (immunità superiore)**. Il cavo elettrico non deve essere collegato a una presa e sono necessari almeno 50 cm di flessibile nella macchina stessa per allacciare il cavo direttamente al sezionatore della macchina; ci deve essere una distanza massima di 3 metri tra il collegamento al sezionatore e il dispositivo di protezione (interruttore).

L'installazione elettrica deve essere conforme alle norme vigenti. Accertarsi che la tensione di alimentazione corrisponda ai dati tecnici indicati sulla targhetta che si trova sul retro della macchina (vedere capitolo 2.1).

**La messa a terra deve essere assolutamente collegata correttamente per garantire la sicurezza dell'utente e il corretto funzionamento.**



Il cavo di alimentazione deve essere collegato al sezionatore nel telaio sinistro. Il cavo di alimentazione deve passare attraverso la parte posteriore della macchina attraverso uno dei fori del telaio, come mostrato sopra.

<b>Caratteristiche elettriche</b>				
		<b>PS-20/140 M</b>	<b>PS-20/160 M</b>	<b>PS-20/200 M</b>
Potenza motrice (KW)		0,37	0,37	0,37
Potenza riscaldamento (KW)		10,5	12	18
Potenza totale (KW)		10,87	12,37	18,37
Tensione di alimentazione				
Protezione (A)	400V 3P + N + T	20	20	32
	230V 3P + T	32	40	50
Sezione cavo (mm <sup>2</sup> )	400V 3P + N + T	5G4mm <sup>2</sup>	5G4mm <sup>2</sup>	5G6mm <sup>2</sup>
	230V 3P + T	4G6mm <sup>2</sup>	4G10mm <sup>2</sup>	4G10mm <sup>2</sup>

### 2.2.6 Collegamento dello scarico dei vapori

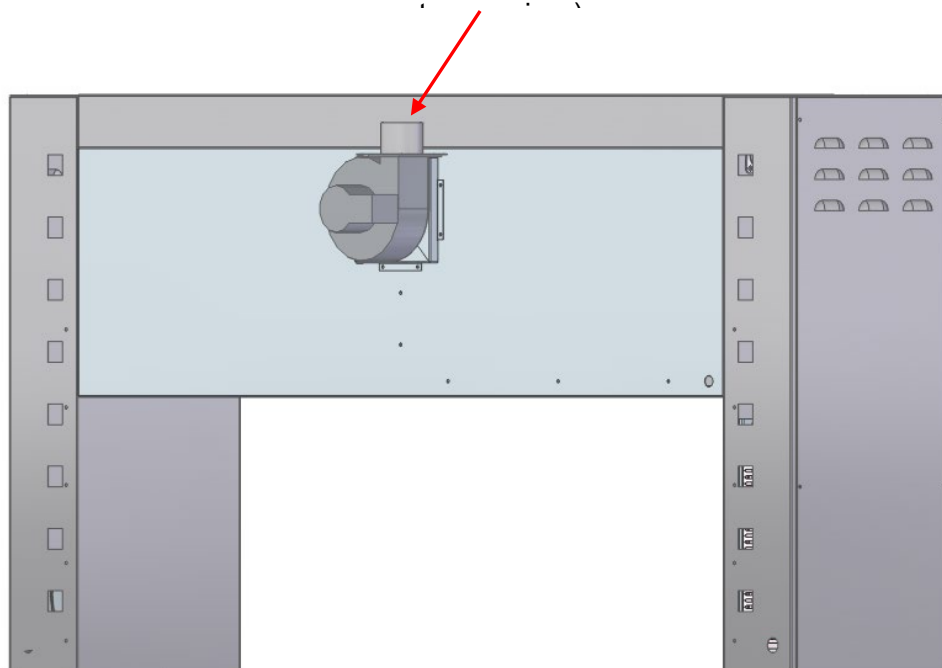
Il collegamento dello scarico dei vapori verso l'esterno è **obbligatorio** (il condotto di scarico non è fornito). L'aria scaricata deve essere canalizzata all'esterno del luogo di lavoro e non deve mai essere collegata ad altre canne fumarie, che sono già utilizzate per estrarre i fumi da altre apparecchiature.

L'ubicazione di questi condotti deve essere entro i limiti stabiliti dalla legislazione termica ambientale. Il tubo flessibile utilizzato deve essere rigido e metallico e resistente alla temperatura (150°C) e non deve mai passare troppo vicino a materiali infiammabili o suscettibili di essere deformati da una temperatura eccessiva.

L'interno del tubo deve essere liscio in modo da non disturbare il percorso dell'aria o contenere elementi su cui si può accumulare lanugine (viti, rivetti, ecc.).

Si raccomanda di prevedere delle botole di ispezione nel condotto per facilitare la pulizia periodica del condotto.

Raccordo dello scarico dei vapori di **Ø83 mm** (sulla



Il condotto di uscita dovrebbe essere il più corto possibile. Questo non deve **superare i 5 metri**, avere più di **2 gomiti di 90°** e dovrebbe avere una pendenza del 2% verso l'esterno nelle sezioni orizzontali per evitare che la condensa si scarichi verso la macchina; inoltre deve essere munito di una **valvola antiritorno**.

- Se il condotto di scarico deve superare i 5 metri e 2 gomiti, si raccomanda di aumentare il diametro del condotto di scarico o di aggiungere un motore di estrazione nel condotto.

Il dimensionamento di questo motore di estrazione deve essere effettuato da una società specializzata nel trattamento dell'aria, secondo le seguenti indicazioni:

- Potenza del motore di ventilazione: 0,09 KW
- Portata di estrazione: 300 m<sup>3</sup>/h
- Perdita di carico all'uscita del ventilatore: 30 Pa

### **2.2.7 Prima messa in servizio**

Dopo essersi assicurati che la macchina sia installata secondo le raccomandazioni del presente manuale (livellamento, allacciamento elettrico), avviare la calandra asciugante:

- Ruotare il sezionatore sul retro della macchina, lato sinistro, in posizione 1.
- Controllare che il pulsante di arresto di emergenza non sia azionato
- Premere START per rimuovere la carta paraffinata avvolta intorno al rullo.
- Accertarsi che i portasonda siano nelle posizioni corrette prima e subito dopo il primo avviamento della macchina, in quanto potrebbero essere posizionati in modo errato a causa della paraffina applicata in fabbrica per proteggere il rullo dalla corrosione (vedere capitolo 4.4).
- Verificare il corretto funzionamento della macchina (in caso di anomalie, fare riferimento al capitolo 5).
- Formare all'uso il personale operativo come descritto nel capitolo 3.

### 3 MANUALE D'USO

#### 3.1 Raccomandazioni d'uso

La calandra asciugante è dotata di un pannello di controllo che permette, in particolare, di regolare la temperatura e la velocità del rullo, che devono essere adattate in base al tipo di biancheria da asciugare e stirare.

Questi due parametri (temperatura e velocità) devono essere adattati dall'utente in base al tipo di biancheria piana da asciugare e stirare. Se la biancheria è ancora umida all'uscita, la temperatura deve essere aumentata e/o la velocità deve essere ridotta. Al contrario, ridurre la temperatura e/o la velocità se la biancheria esce molto rigida o leggermente ingiallita (segni di surriscaldamento).

La biancheria deve avere un'umidità relativa compresa tra il **25% e il 50%**.

La temperatura massima di regolazione è di 180°C.

Inserire il capo di biancheria nella macchina posizionandolo sul ripiano di ingresso (un buon ingresso della biancheria, della biancheria senza rughe e stesa bene comporterà una migliore qualità della stiratura).

Per i capi di biancheria di grandi dimensioni, il lavoro viene svolto da due persone, in piedi davanti alla macchina. Ogni persona deve tenere un'estremità del panno e inserirla contemporaneamente

L'altezza di carico e l'inclinazione del ripiano di ingresso consentono una perfetta ergonomia, eliminando così i disturbi muscolo-scheletrici associati a questa postazione di lavoro.

La biancheria verrà introdotta automaticamente per essere asciugata e stirata, può essere raccolta nella vasca di raccolta o convogliata all'uscita anteriore o posteriore nel caso di una macchina dotata dell'opzione piegatrice.

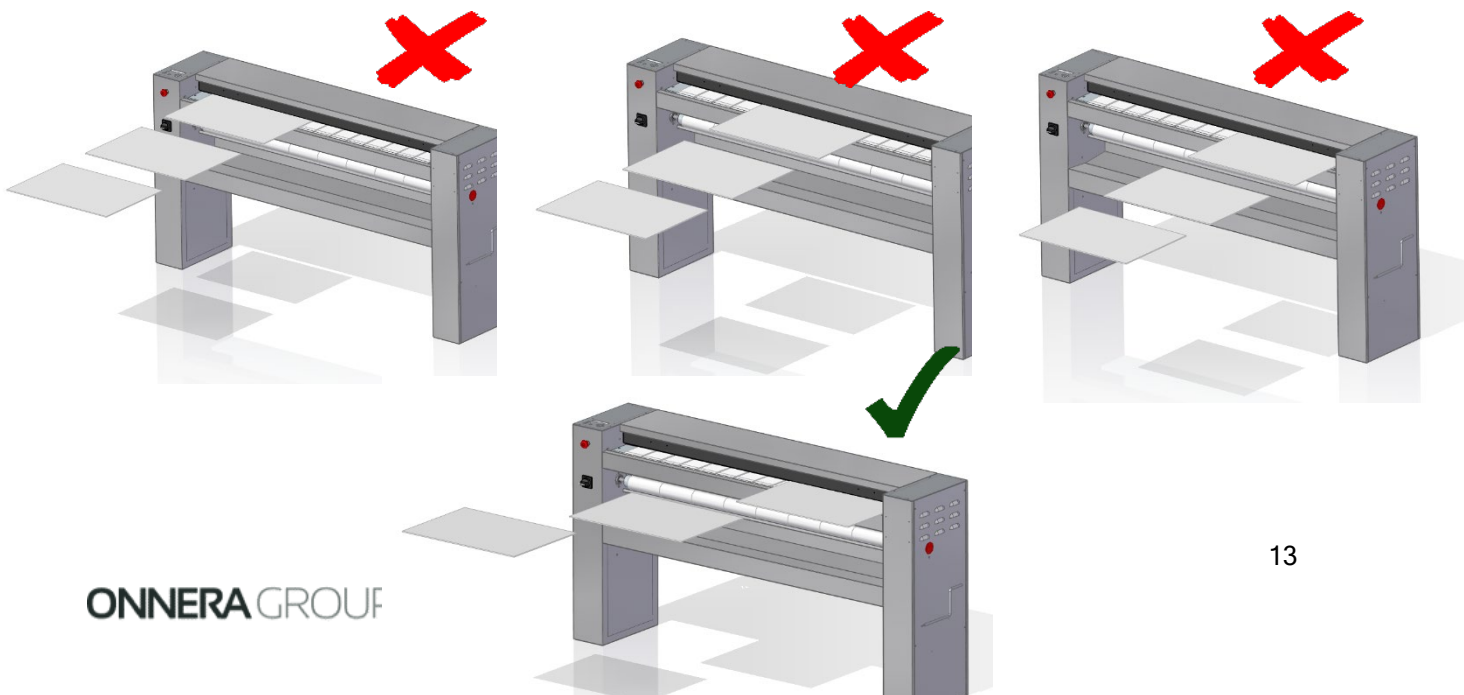
Un'opzione (modalità automatica) regola automaticamente la velocità del rullo in base al tasso di umidità residua rilevata nella biancheria.

La biancheria deve essere piana (senza bottoni, chiusure, bottoni a pressione, fibbie, ecc.), non deve essere piegata prima di essere immessa nella macchina per una qualità ottimale e non deve essere più spessa di 8 mm.

Per limitare il più possibile l'inerzia del riscaldamento, si consiglia di iniziare a lavorare quando la temperatura è leggermente inferiore a quella impostata.

Se l'arresto della produzione supera i 15 minuti, si consiglia di premere STOP per passare alla fase di raffreddamento della macchina e quindi limitare il consumo di energia non necessaria. Premere nuovamente START per riprendere il lavoro e riavviare il riscaldamento della macchina.

Quando si stira biancheria piana di piccole dimensioni, è indispensabile lavorare in successione su tutta la lunghezza di stiratura, per ottenere un lavoro regolare e una migliore longevità delle fasce stiranti, che potrebbero deteriorarsi rapidamente.



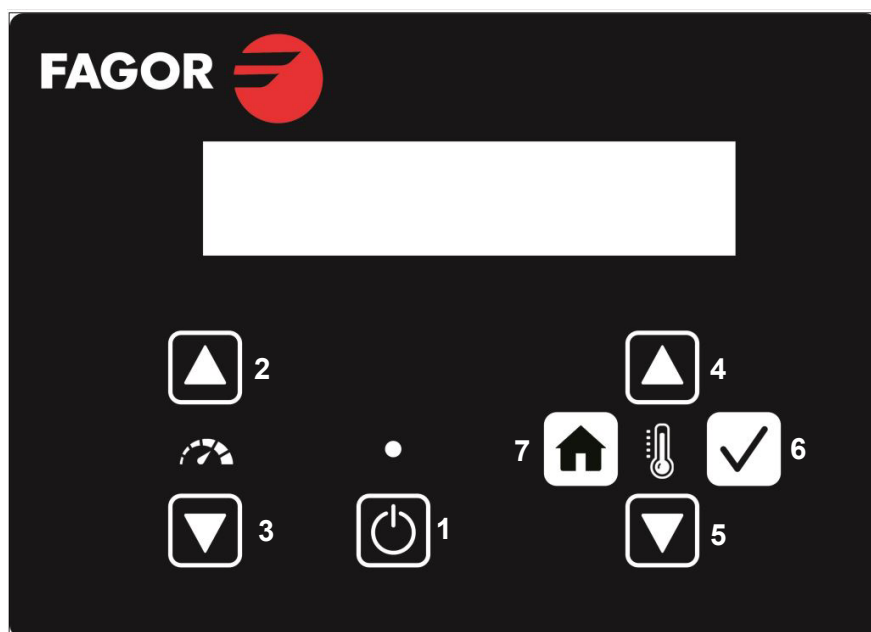


**IMPORTANTE:** La macchina non deve essere fermata ad alta temperatura, premere il pulsante "START- STOP" (1) per entrare nella fase di raffreddamento. La macchina si fermerà automaticamente quando la temperatura raggiunge gli **80°C**. Non arrestare la macchina premendo il pulsante di arresto di emergenza, che deve essere usato solo in caso di estrema necessità.

### 3.2 Descrizione del pannello di controllo

Alimentare elettricamente la macchina premendo l'interruttore generale posto sul lato posteriore destro della macchina (l'arresto di emergenza non deve essere inserito).

All'avvio e per alcuni secondi, il display visualizza la versione del microprocessore e poi indica "PRESS START".



- 1- Pulsante «START-STOP»
- 2- Aumento della velocità di stiratura
- 3- Diminuzione della velocità di stiratura
- 4- Aumento della temperatura
- 5- Diminuzione della temperatura
- 6- Pulsante di conferma
- 7- Tasto per accedere al menu di manutenzione (riservato ai servizi tecnici)

### 3.3 Esecuzione di un ciclo

Premendo direttamente il pulsante "START-STOP", la calandra asciugante si avvia alla velocità e alla temperatura dell'ultimo ciclo.

Si noti che all'avvio la macchina si preriscalda a 130°C (parametro modificabile) a velocità ridotta (3 m/min) e la velocità non può essere modificata durante questa fase.

Inoltre, per le macchine riscaldate elettricamente, i motori di ventilazione si attivano solo quando viene raggiunta la metà della temperatura impostata.

Durante il funzionamento, il display visualizza la temperatura effettiva del rullo e la velocità di rotazione del rullo (schermata di esecuzione); questi parametri possono essere modificati utilizzando i pulsanti corrispondenti.

Premendo uno dei due pulsanti di regolazione della velocità (2 e 3), la velocità passa da 0,5 a 0,5 m/min a 1,5 a 6 m/min.

Premendo uno dei due pulsanti di impostazione della temperatura (4 e 5), il display visualizzerà "TEMPERATURE SET" e la temperatura impostata, che può essere regolata da 1°C a 180°C. Dopo aver regolato la temperatura impostata, premere il pulsante di conferma (6) per convalidare la temperatura impostata e tornare alla schermata di esecuzione.

Quando l'apparecchio è spento, la modalità di funzionamento può essere selezionata premendo le frecce di gestione della temperatura (4 e 5):

- **Modalità manuale:** l'operatore imposta autonomamente la velocità di stiratura
- **Modalità automatica:** la velocità viene adattata in base all'evoluzione della temperatura (ad esempio, in base al carico, la velocità diminuisce se la temperatura scende rapidamente).

Premendo STOP, il programma passa alla fase di raffreddamento (se la temperatura del rullo è superiore a 80°C) e la macchina si arresta automaticamente quando la temperatura ha raggiunto gli 80°C.

È possibile riavviare in qualsiasi momento durante la fase di raffreddamento.

Se la temperatura del rullo è inferiore a 80°C, premendo "START-STOP" (1) la macchina si arresta istantaneamente senza una fase di raffreddamento.

### **3.4 Menu di manutenzione**

Il menu di manutenzione consente di regolare alcuni parametri relativi al funzionamento della macchina.

Per accedere al menu di manutenzione a macchina ferma, premere il pulsante di accesso al menu di manutenzione (7) per visualizzare "ENTER CODE - 0000" sullo schermo. Immettere il codice "1111" utilizzando i tasti di "aumento della temperatura" (4) per selezionare la prima cifra (tra 0 e 9) e il "pulsante di conferma" (6) per convalidare e passare alla seconda cifra e così via.

#### **Elenco dei parametri:**

I valori possono essere modificati con i pulsanti 4 e 5 e confermati premendo il pulsante di conferma (6).

- **MAX TEMP:** Temperatura massima impostata corrispondente alla temperatura massima impostata regolabile dall'utente. Regolabile da 100°C a 180°C (valore predefinito = 180°C)
- **PREHEATING:** temperatura di preriscaldamento regolabile da 20°C a 180°C (valore predefinito = 130°C).
- **COOL DOWN TEMP:** Temperatura di raffreddamento alla quale la macchina si arresta automaticamente. Regolabile da 60°C a 105°C (valore predefinito = 80°C)
- **PREVENTIVE MAINTENANCE:** È possibile programmare un tempo in ore e quando questo tempo di funzionamento viene raggiunto, ad ogni accensione della macchina appare un messaggio (valore predefinito = 0, nessun messaggio) per pianificare una manutenzione completa della macchina (vedere capitolo 6).  
Il messaggio può essere azzerato nel menu delle statistiche (vedere capitolo 3.5).

### 3.5 Menu Statistiche

Il menu delle statistiche consente di visualizzare alcune statistiche della macchina e di azzerare il contatore di manutenzione.

Per accedere al menu delle statistiche, a macchina ferma, premere il pulsante di accesso al menu di manutenzione (7) per visualizzare sullo schermo "ENTER CODE - 0000". Immettere il codice "1234" utilizzando i tasti di "aumento della temperatura" (4) per selezionare la prima cifra (tra 0 e 9) e il "pulsante di conferma" (6) per convalidare e passare alla seconda cifra e così via.

- **TOTAL TIME:** corrisponde al tempo, in ore, in cui la macchina è accesa.
- **RUN TIME:** il tempo, in ore, in cui la macchina è in funzione.
- **HEAT TIME:** corrisponde al tempo, in ore, in cui la macchina è in fase di riscaldamento.
- **PREVENTIVE HOURS:** corrisponde al tempo, in ore, dal momento in cui la manutenzione preventiva è stata programmata nel menu di manutenzione (vedere capitolo 3.4).
- **RESET COUNTER M:** Permette di azzerare la statistica "PREVENTIVE HOURS" selezionando "YES" con i pulsanti 4 e 5, di convalidare premendo il tasto 6 e di eliminare così il messaggio di manutenzione preventiva ("PREV MAINTENANCE") che appare a ogni avvio quando viene raggiunto il numero di ore definito nel menu di manutenzione (vedi capitolo 3.4).



## 4 MANUALE TECNICO

### 4.1 Funzionamento della manovella (in caso di interruzione di corrente)



**In caso di interruzione di corrente o di guasto dell'apparecchiatura** (arresto della macchina con rullo caldo) è indispensabile isolare immediatamente le fasce stiranti del rullo.

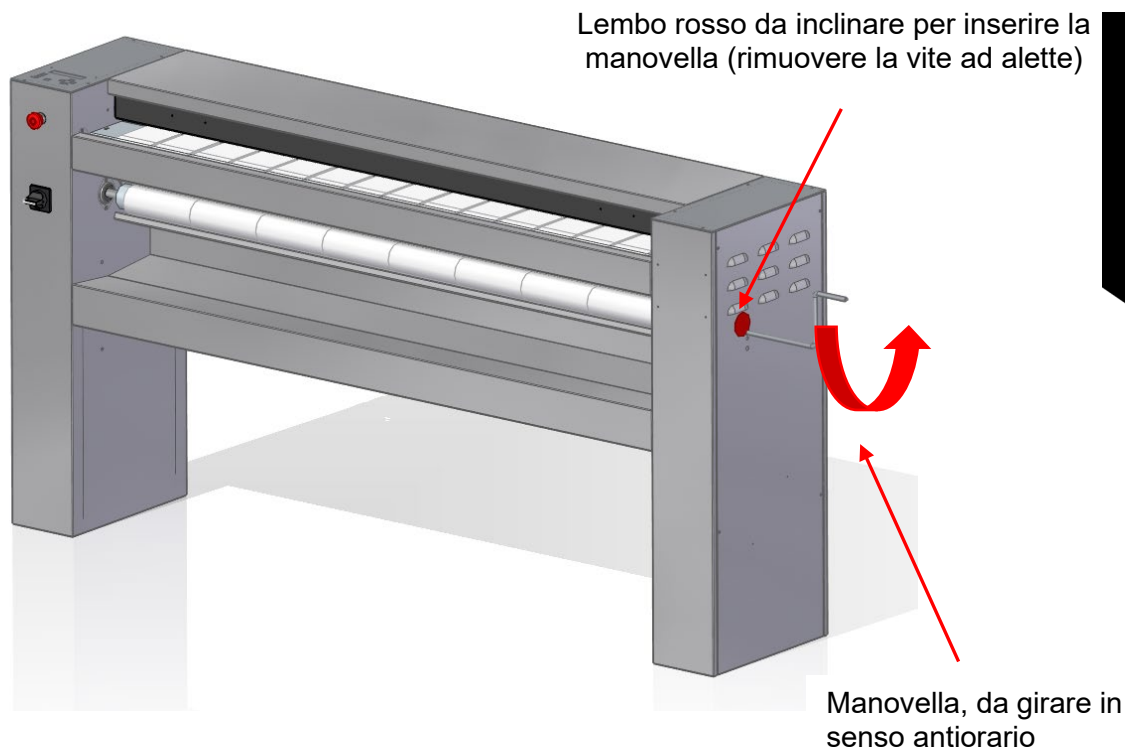
Per fare ciò, inserire nella macchina un telo spesso e molto umido della giusta misura (appena strizzato) manovrandolo con la manovella prevista a tale scopo (la manovella deve essere sempre accessibile, la sua posizione iniziale è sul pannello laterale destro della macchina).

Inserire la manovella nel foro del pannello destro della macchina dopo aver inclinato il lembo rosso verso l'alto (in modo che la manovella possa essere inserita come indicato qui sotto). Quando il lembo rosso è inclinato verso l'alto, la macchina non può avviarsi e appare un allarme se si preme START- STOP (Allarme 2).

Ruotare la manovella in senso antiorario in maniera continua fino a quando il telo non è passato più volte attraverso la macchina e abbastanza per raffreddare e proteggere il rullo e le fasce.

Sono necessarie almeno due persone per effettuare questa manipolazione in caso di emergenza, una o due persone per inserire la biancheria mentre un'altra gira la manovella.

Quando la manovella viene rimossa, il lembo si abbassa nella sua posizione originale e attiva un contatto di sicurezza che consente di avviare la macchina.

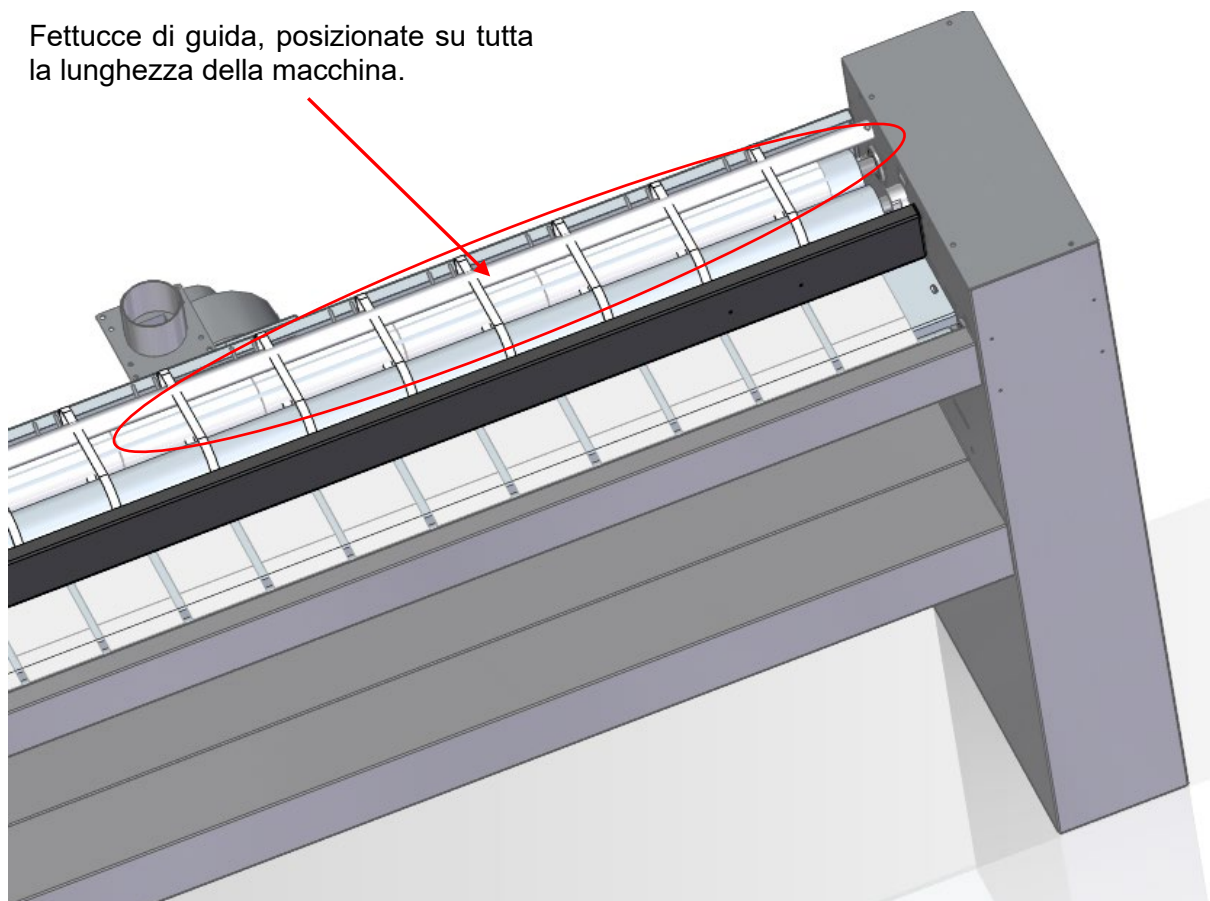


## 4.2 Sostituzione delle fettucce di guida

Le fettucce di guida impediscono alla biancheria di avvolgersi intorno al rullo pressore, quindi occorre controllarle regolarmente per assicurarsi che non manchi alcuna fettuccia di guida. La loro presenza è indispensabile.

Il codice delle fettucce di guida è 12156329 (fornite a metri).

Fettucce di guida, posizionate su tutta la lunghezza della macchina.



Per accedere alle fettucce di guida, rimuovere i pannelli superiori.

Le fettucce devono essere fissate con punti metallici in acciaio inossidabile e non devono essere legate con nodi (questo potrebbe segnare la biancheria). Non devono essere montate tese ma leggermente flessibili perché con l'effetto del calore la fettuccia si restringe e può rompersi rapidamente. Non tenderle, potrebbero rompersi prematuramente.

## 4.3 Arresto prolungato e paraffinatura

Per evitare la corrosione del rullo, soprattutto in caso di arresto prolungato (più di 1 settimana), è necessario rivestire il rullo con uno strato di paraffina; per fare ciò, procedere come segue:

- Macchina spenta, rullo leggermente caldo (tra 110°C e 100°C in fase di regolazione o di raffreddamento)
- Sollevare i pannelli superiori.
- Girare il rullo a velocità ridotta.
- Rivestire la superficie del rullo con paraffina in passaggi successivi in modo da rivestire l'intera superficie del rullo.

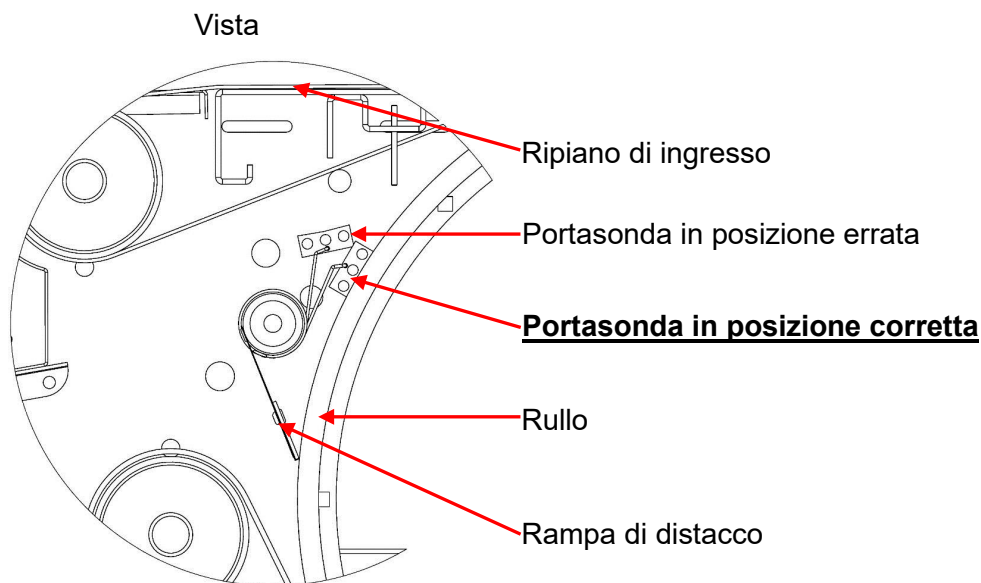
- Quindi inserire un capo di biancheria piana intorno al rullo per tutta la durata dell'arresto prolungato.

Codice del blocco di paraffina: 12156317

Quando la macchina viene riavviata dopo un arresto prolungato, la paraffina evapora naturalmente ad alta temperatura. Tuttavia, è preferibile passare alcuni capi di biancheria piana usurati prima di iniziare il normale lavoro di produzione per rimuovere tutta la paraffina.

#### **4.4 Controllo e pulizia dei portasonda**

La macchina è dotata di 2 portasonda, placcati sul rullo e posizionati sotto il ripiano di ingresso, in cui sono alloggiati le 2 sonde di temperatura e il termostato di sicurezza che permettono di regolare e conservare la temperatura del rullo. La corretta posizione dei portasonda deve essere controllata prima di ogni messa in funzione (macchina fredda). I portasonda devono essere regolarmente puliti (lanugine) (vedere capitolo 6).



## 5 ANOMALIE E ALLARMI

### 5.1 Anomalie diverse

La macchina è dotata di un microprocessore con allarmi, i cui dettagli sono riportati di seguito, per informare l'utente dei vari problemi di funzionamento e di sicurezza, o per inviare degli allarmi informativi. Tuttavia, alcune anomalie possono verificarsi senza che lo schermo sia in grado di visualizzare un allarme, tra cui, ma non esclusivamente, quelle indicate nella seguente lista:

ANOMALIE	VERIFICHE
Lo schermo è spento	Controllare che il sezionatore sia in posizione "I"
	Controllare che la tensione elettrica raggiunga la macchina
	Controllare che il pulsante di arresto di emergenza non sia premuto
	Controllare il fusibile di comando F1
Il rullo gira lentamente	Deve essere raggiunta la temperatura di preriscaldamento di 130°C
La temperatura del rullo non aumenta	Controllare il termostato di sicurezza a ripristino manuale situato nel telaio sinistro della macchina. Se è inserito, non ripristinarlo se la temperatura del rullo è superiore a 150°C
La temperatura del rullo è molto importante e non corrisponde alla temperatura visualizzata sullo schermo	Controllare che i portasonda siano puliti e nella posizione corretta
La qualità della stiratura è scarsa	Controllare la tensione e/o l'usura delle fasce stiranti. Sostituirle se necessario.
	Controllare lo stato del mollettone del rullo pressore e, se necessario, sostituirlo
	Controllare la tensione e/o l'usura dei nastri di ingresso. Sostituirli se necessario
	La temperatura e/o la velocità non sono adatte al tipo di biancheria
La macchina si surriscalda su un lato (le fasce diventano più scure rispetto all'altro lato)	Assicurarsi che il flusso di biancheria sia distribuito uniformemente su tutta la lunghezza utile del rullo (vedere capitolo 3.1)
Dopo l'asciugatura/stiratura, all'uscita della macchina, la biancheria ha elettricità statica e si "attacca" alle fasce stiranti	Durante il ciclo di lavaggio della biancheria, aggiungere all'ultimo risciacquo un addolcitore con proprietà antistatiche e/o ridurre il pH dell'acqua nell'ultimo risciacquo a 5.
La biancheria esce ingiallita	La biancheria è risciacquata male (residuo di detersivo) o la temperatura del rullo è troppo alta.
Il rullo diventa bianco	L'acqua usata per lavare la biancheria ha un alto TH (ridurlo al di sotto di 14)

## 5.2 Elenco allarmi

ALLARME	DESCRIZIONE	CAUSA/SOLUZIONE
<b>ALARME 1</b>	Sicurezza ripiano (salva-dita)	La sicurezza del ripiano (salva-dita) è stata attivata. Se il problema persiste, controllare i contatti elettrici della sicurezza del ripiano nei telai destro e sinistro.
<b>ALARME 2</b>	Sicurezza della manovella	La sicurezza della manovella è stata attivata, la piastra rossa non è nella posizione corretta. Se il problema persiste, controllare il contatto elettrico nel telaio destro.
<b>ALARME 6</b>	Guasto del variatore	Il variatore del motore del rullo è guasto (visibile sullo schermo del variatore). Controllare il motore di azionamento, il cablaggio del variatore/motore, la tensione di alimentazione del variatore, ecc.
<b>ALARME 7</b>	Errore della sonda di temperatura NTC1 (regolazione)	La sonda di temperatura NTC1 è scollegata o difettosa.
<b>ALARME 8</b>	Manutenzione preventiva	Questo messaggio appare quando si raggiunge il contatore delle ore (impostato nel menu di manutenzione) che avverte di eseguire la manutenzione preventiva sulla macchina (vedere capitolo 3.4 e 3.5).
<b>ALARME 9</b>	Errore di comunicazione CAN	La comunicazione tra la scheda dello schermo (A13) e la scheda relè (A10) è interrotta o difettosa.
<b>ALARME 10</b>	Errore di riscaldamento	La temperatura impostata non è stata raggiunta dopo 90 minuti di funzionamento.
<b>ALARME 12</b>	Surriscaldamento (termostato di sicurezza)	A causa del surriscaldamento, il termostato di sicurezza si attiva. Questo deve essere riarmato manualmente in del telaio di sinistra.

Se uno degli allarmi persiste, contattare il servizio di assistenza del rivenditore di fiducia.

## 6 MANUTENZIONE PREVENTIVA

Tutti gli interventi di manutenzione devono essere eseguiti da personale qualificato.

**PRIMA DI EFFETTUARE QUALSIASI OPERAZIONE DI MANUTENZIONE, TOGLIERE L'ALIMENTAZIONE ELETTRICA DALLA MACCHINA IN CORRISPONDENZA DELL'INTERRUTTORE AUTOMATICO DELL'IMPIANTO E VERIFICARE CHE NON VI SIA TENSIONE.**

**ATTENZIONE, SE LA MANUTENZIONE VIENE ESEGUITA SUBITO DOPO IL LAVORO, LA MACCHINA PUÒ AVERE ANCORA PARTI MOLTO CALDE. IN QUESTO CASO C'È IL RISCHIO DI USTIONI.**

**DURANTE LA MANUTENZIONE, È CONSIGLIATO DOTARSI DI ADEGUATI DISPOSITIVI DI PROTEZIONE INDIVIDUALI (guanti, checker tensione zero, ecc.)**

Le sicurezze non devono essere eliminate (neppure temporaneamente) né modificate. In caso di dubbi, contattare l'ufficio tecnico del proprio rivenditore con il modello e il numero di serie della macchina.

### NON SPRUZZARE MAI DELL'ACQUA SULLA MACCHINA

Nel menu di manutenzione si può programmare un allarme per avvertire che deve essere eseguita una manutenzione preventiva (vedere capitolo 3.4). Questo allarme è programmabile per ora di funzionamento, quindi dopo il numero di ore di lavoro programmato, l'allarme apparirà sullo schermo ad ogni messa in tensione della macchina fino alla nuova programmazione di manutenzione o alla disattivazione dell'allarme.

Di seguito è riportata una tabella che riassume la manutenzione preventiva che deve essere effettuata e con quale frequenza:

Punti di controllo e di manutenzione	Frequenza (ore)
Controllo di tutti i dispositivi di sicurezza della macchina: Arresto di emergenza, sicurezza del ripiano, sicurezza della manovella, termostato di sicurezza, messa a terra (elettrica).	500
Pulizia generale: all'interno, nei telai (lanugine e grasso), turbina di ventilazione, rampe di distacco, portasonda, tubi del pressostato	
Controllo dello stato dei portasonda e della loro posizione (vedere capitolo 4.5)	
Sostituzione del set di fettucce di guida (vedere capitolo 4.3)	
Controllo e serraggio dei collegamenti elettrici del sezionatore, del contattore di riscaldamento e delle resistenze	

Punti di controllo e di manutenzione	Frequenza (ore)
Controllare la tensione della catena di trasmissione (grande) e ingrassare leggermente la catena di trasmissione (grande), la catena del rullo pressore (piccola) e i pignoni con grasso liquido (vedere dettaglio delle catene qui sotto)	1000
Controllare visivamente lo stato delle fasce stiranti, dei nastri di ingresso, del mollettone del rullo pressatore e dei nastri trasportatori della piegatrice per anticipare la loro sostituzione, se necessario	
Controllare la tensione delle fasce stiranti, dei nastri di ingresso, del mollettone del rullo pressatore e dei nastri trasportatori della piegatrice. La regolazione di queste tensioni deve essere la stessa su entrambi i lati.	
Controllare visivamente lo stato dei rulli laterali (x2) per anticipare la loro sostituzione, se necessario.	
Pulire i condotti di scarico	

**NOTA:** La frequenza è definita sulla base di un lavoro settimanale di 40 ore, 2.000 ore corrispondono a circa un anno.

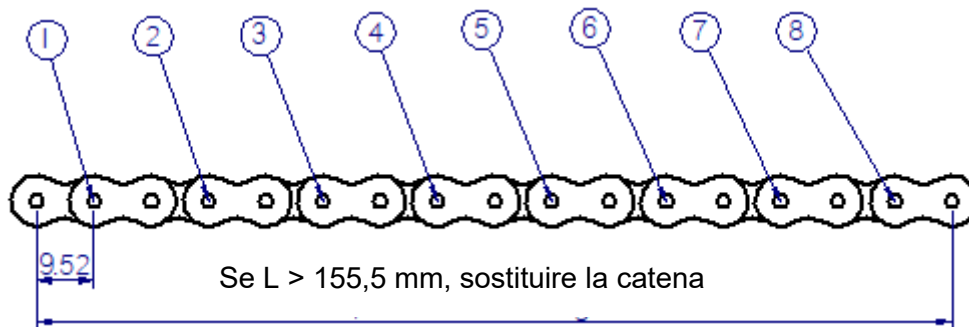
Le catene sono dotate di maglie a sgancio rapido per un facile smontaggio.

La catena del satellite di trasmissione (grande) viene automaticamente messa in tensione per mezzo di un pignone automatico che deve essere allentato per lo smontaggio della catena e stretto di nuovo per il rimontaggio.

La catena di trasmissione del satellite pressatore (piccolo) non è volutamente allungata.

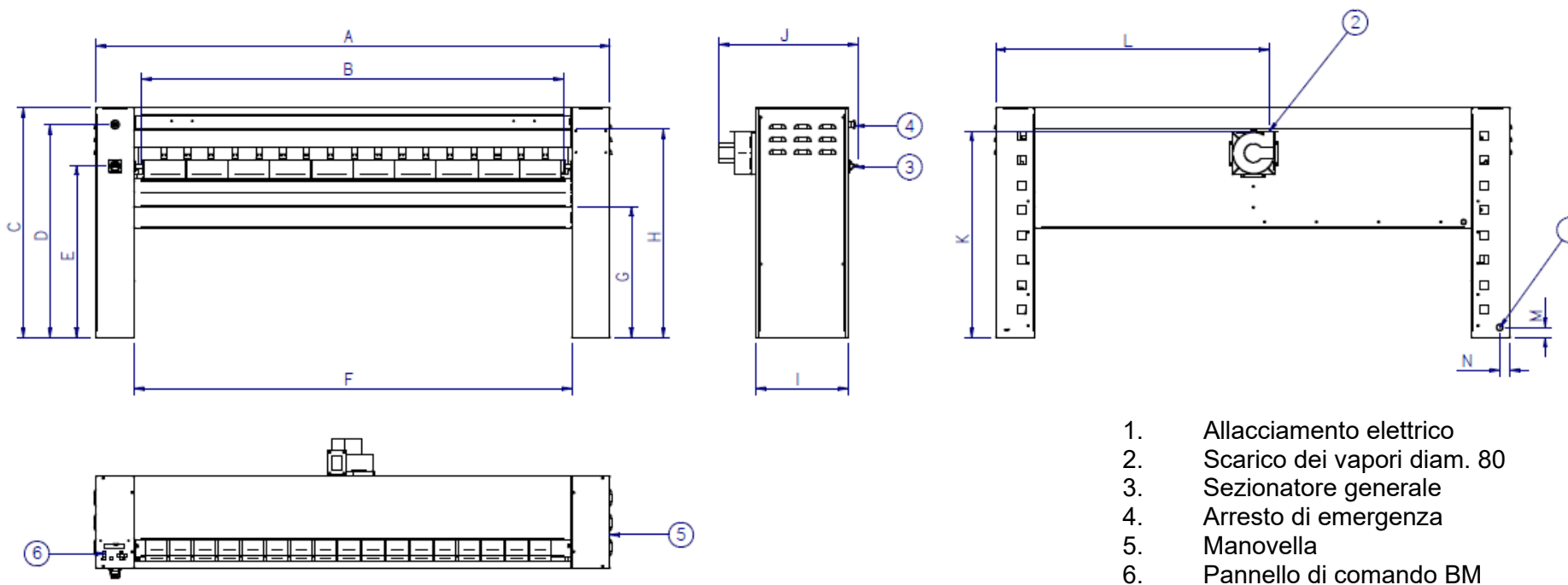
Di seguito viene descritto come determinare lo stato di usura delle catene e quando devono essere sostituite:

**Catene di trasmissione piccole e grandi (passo = 9,52 mm)**





## 7. PIANI DEL SITO



1. Allacciamento elettrico
2. Scarico dei vapori diam. 80
3. Sezionatore generale
4. Arresto di emergenza
5. Manovella
6. Pannello di comando BM

Tipo	A	B	C	D	E	F	G	H	I	J	K	L	M	N
<b>PS-20/140 M</b>	1878	1470	1110	1028	830	1510	631	1006	444	666	995	1016	50	50
<b>PS-20/160 M</b>	2128	1720	1110	1028	830	1760	631	1006	444	666	995	1141	50	50
<b>PS-20/200 M</b>	2478	2070	1110	1028	830	2110	631	1006	444	666	995	1316	50	50



**MANUAL DE INSTRUÇÕES**

**CALANDRAS**

PS-20/140 M

PS-20/160 M

PS-20/200 M

12314877

01/09/2022

**Fabricant / Manufacturer / Fabricante :**

**ONNERA GROUP**

Parc d'activité de Sologne, BP 19 41600 LAMOTTE BEUVRON – France  
Tél. +33 (0)2 54 88 05 76 – Fax +33 (0)2 54 96 89 04

**Type de la machine / Type of the machine / Tipo de la máquina :**

Sécheuses repasseuses, Flatwork ironers, Calandras

**Modèle. Model. Modelo**

PS-20/140 M E, PS-20/160 M E, PS-20/200 M E  
PS-35/140 M G, PS-35/160 M G, PS-35/200 M G,  
PS-35/140 M E, PS-35/160 M E, PS-35/200 M E  
PS-35/200 M PLUS E, PS-35/260 M PLUS E, PS-35/330 M PLUS E  
PS-35/200 M PLUS GR, PS-35/260 M PLUS GR, PS-35/330 M PLUS GR

*Nous déclarons sous notre responsabilité que les machines, dont le type est indiqué ci-dessus, ont été fabriquées en conformité avec les directives U.E. suivantes :*

*We herewith declare under our responsibility that the machines whose type is stated above have been manufactured in conformity with the following E.U. directives:*

*Declaramos bajo nuestra responsabilidad que las máquinas cuyo tipo se indica arriba se ha fabricado conforme a las U.E. directivas siguientes:*

- **Machine Directive 2006/42/EC (include Low voltage directive 2014/35/UE)**
- **Electromagnetic compatibility Directive 2014/30/UE**
- **RoHS II-directive 2011/65/UE**
- **Regulation (EU) 2016/426 “gas appliances” registered under No 029 M**

*Pour lesquelles nous avons suivi les normes / For what have been followed the standards / Para lo cual se han seguido las normas :*

**EN-60204-1:** Sécurité des machines - Equipements électriques des machines – Règles générales / Safety of machinery - Electrical equipment of machines -- General requirements / Seguridad de las máquinas. Equipo eléctrico de las máquinas. Requisitos generales.

**NF EN ISO 10472-1+5 :** Exigences de sécurité pour les machines de blanchisserie industrielle – Prescriptions communes + sécheuses repasseuses / Safety requirements for industrial laundry machinery. Common requirements + Flatwork ironer / Requisitos de seguridad para la maquinaria de lavandería industrial. Requisitos comunes + calandra

**EN-61000-6-2 + EN-61000-6-4 :** Compatibilité électromagnétique (CEM) - Immunité + Emission / Electromagnetic compatibility (EMC) - Immunity + Emission / Compatibilidad electromagnética (CEM). Inmunidad + Emisión

Le 06/09/2022,

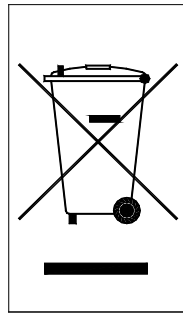
Approbateur Technique, Technical aprobator, Aprodador tecnico :

**ONNERA GROUP**  
Parc d'activités de Sologne  
3 rue Léonard de Vinci  
41600 Lamotte Beuvron France  
Tél. 0033 2 54 88 05 76  
SIRET 342 222 759 00058

Os documentos técnicos contêm informações confidenciais. Gostaríamos de informá-lo que é proibido divulgar e copiar estes documentos e que tomaremos medidas legais contra os autores destas cópias.

**Tratamento dos aparelhos elétricos e eletrónicos em fim de vida útil**

Este símbolo no produto ou na sua embalagem indica que este produto não deve ser tratado com o lixo doméstico. Deve ser entregue num ponto de recolha adequado para a reciclagem de equipamentos elétricos e eletrónicos.



**MANUAL TRADUZIDO**  
**ENGOMADORA-SECADORA PS-20/ M E**

**CUIDADO**



Risco de esmagamento dos dedos



Risco elétrico



Risco de queimadura

**1 PRINCÍPIO GERAL**

1.1	Introdução.....	3
1.2	Princípio de funcionamento.....	4
1.3	Segurança .....	5
1.3.1	Segurança proteção dos dedos.....	5
1.3.2	Segurança manivela.....	5
1.3.3	Segurança do aquecimento.....	5
1.4	Aquecimento.....	6
1.5	Opções.....	6

**2 MANUAL TÉCNICO DE INSTALAÇÃO**

2.1	Placa de identificação.....	7
2.2	Instalação.....	7
2.2.1	Manutenção e embalagem .....	7
2.2.2	Características do local .....	8
2.2.3	Implementação .....	8
2.2.4	Nivelamento.....	9
2.2.5	Ligação elétrica.....	10
2.2.6	Ligação das evacuações de vapores.....	11
2.2.7	Primeira colocação em funcionamento.....	12

**3 MANUAL DE UTILIZAÇÃO**

3.1	Recomendações de utilização.....	13
3.2	Descrição do painel de controlo.....	13
3.3	Execução de um ciclo.....	14
3.4	Menu de manutenção.....	15
3.5	Menu estatísticas.....	16

**4 MANUAL TÉCNICO**

4.1	Utilização da manivela (em caso de falha de energia).....	17
4.2	Substituição das fitas de orientação.....	18
4.3	Paragem prolongada e parafinação (excluindo a opção niquelagem) .....	18
4.4	Controlo e limpeza dos sensores.....	19

**5 ANOMALIAS E ALARMES**

5.1	Anomalias diversas.....	20
5.2	Lista de alarmes.....	21

**6 MANUTENÇÃO PREVENTIVA**

22

**7 PLANO DE IMPLANTAÇÃO**

7.1	Plano de implantação .....	24
-----	----------------------------	----



## 1. PRINCÍPIO GERAL

### 1.1. Introdução

Agradecemos a confiança depositada no nosso produto. Esperamos que atenda às suas necessidades. A garantia não cobre danos em componentes de vidro ou consumíveis (vedações, lâmpadas, têxteis, etc.) ou danos em materiais de isolamento ou danos causados por instalação ou uso inadequado do aparelho, manutenção insuficiente ou mau estado geral.

Este aparelho está sujeito a alterações e modificações de acordo com o seu progresso técnico.

**ADVERTÊNCIA:** Para reduzir o risco de choque elétrico ou ferimentos ao usar o seu aparelho, siga as precauções de base, entre as quais:

- 1- **LER** todas as instruções antes de utilizar o aparelho e **GUARDÁ-LAS** num local de fácil acesso para esclarecer qualquer dúvida.
- 2- Esta unidade deve ser instalada por um Serviço de Assistência Técnica oficial ou aprovado. Uma instalação, uma configuração, um serviço ou uma manutenção inadequada, bem como o manuseamento incorreto do aparelho podem resultar em danos materiais e ferimentos pessoais. Ler atentamente as instruções deste manual antes de colocar o aparelho em funcionamento. Encontrará informações importantes sobre a sua instalação.
- 3- Uma instalação, um serviço, uma manutenção e/ou uma limpeza, bem como uma alteração incorreta do aparelho podem causar danos no mesmo e ferimentos nos utilizadores.
- 4- O incumprimento das regras de conduta indicadas implica a perda de qualquer garantia.
- 5- Desligar o aparelho em caso de avaria ou mau funcionamento.
- 6- **NÃO SECAR/ENGOMAR** roupa que tenha sido previamente tratada, lavada, embebida ou manchada com gasolina, solventes de limpeza a seco ou outras substâncias inflamáveis ou explosivas que possam incendiar-se ou explodir.
- 7- **NÃO ADICIONAR** gasolina, solventes de limpeza a seco ou outras substâncias inflamáveis à água de lavagem. Estas substâncias emitem vapores que podem incendiar-se ou explodir.
- 8- **NÃO PERMITIR QUE** as crianças brinquem dentro ou sobre o aparelho. Supervisionar cuidadosamente as crianças quando estiverem perto de uma máquina em funcionamento.
- 9- Este aparelho não se destina a ser utilizado por pessoas (incluindo crianças) com capacidades físicas, sensoriais ou mentais reduzidas, ou que não tenham experiência e conhecimento, a menos que a pessoa responsável pela sua utilização tenha supervisionado ou instruído a sua utilização.
- 10- **Não instalar ou armazenar** o aparelho à mercê das condições meteorológicas.
- 11- **Não forçar** os comandos.
- 12- **Não reparar ou substituir nenhuma peça** do aparelho e não tentar efetuar qualquer trabalho de manutenção, salvo recomendação em contrário no manual de utilização. No entanto, certificar-se sempre de que compreende totalmente as instruções e tem as competências necessárias para realizar esta operação.
- 13- Não retirar qualquer dispositivo de segurança nem modificar qualquer elemento da máquina de lavar roupa. **NÃO INSTALAR** qualquer componente estranho no interior da máquina.
- 14- O incumprimento das instruções descritas no manual de utilização pode causar ferimentos. Não é possível mencionar todos os casos e situações possíveis nos avisos de perigo. O **bom senso comum**, o cuidado e a atenção são, portanto, fatores que devem ser fornecidos pela pessoa ou pessoas que transportam, instalam, usam ou executam a manutenção da máquina.
- 15- **NÃO** usar a máquina se todas as tampas e proteções não estiverem devidamente colocadas e fixadas.
- 16- O distribuidor (vendedor) deve **OBRIGATORIAMENTE** formar adequadamente o utilizador durante a colocação em funcionamento.
- 17- Limpe diariamente as bandejas de entrada e receção.
- 18- Se necessário, esta documentação pode ser solicitada em formato digital no seguinte endereço [info.laundry@fagorprofessional.com](mailto:info.laundry@fagorprofessional.com) / [info@fagorprofessional.com](mailto:info@fagorprofessional.com)

## 1.2. Princípio de funcionamento

Este tipo de máquina foi concebida para secar e engomar apenas roupa de cama plana, como lençóis ou toalhas de mesa.

Ao colocar a roupa esticada na mesa de inserção na parte da frente da máquina, a roupa é automaticamente encaminhada para o cilindro de secagem e engomagem pelas cintas de introdução.

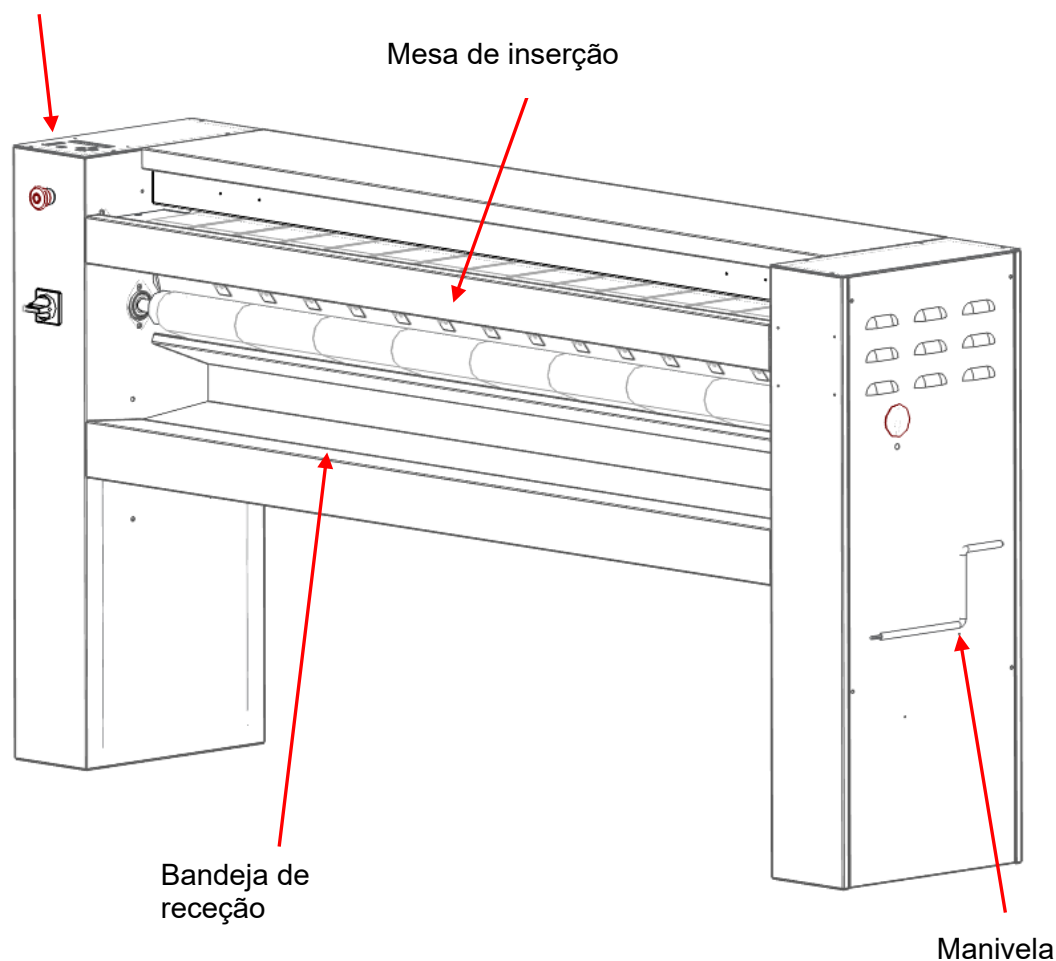
Depois, a passagem da roupa sob o rolo de pressão revestido de moletão garante uma primeira calandragem graças a uma pressão constante e autorregulada de acordo com a espessura da roupa por um sistema de molas compensadoras.

A secagem e engomagem são realizadas por cintas de qualidade "Nomex" e cilindro aquecido. Uma vez seca e engomada, a roupa é automaticamente direcionada para a bandeja de receção através de ripas metálicas com molas em teflon, sendo que estas ripas prolongam-se através de patins de teflon para evitar quaisquer marcas nas cintas.

A roupa sai, seca, engomada e perfeitamente calandrada para um acabamento e uma apresentação irrepreensível.

A máquina é controlada por um painel de controlo que permite gerir a velocidade e temperatura, assim como vários parâmetros.

Painel de controlo





<b>Tipo Máquina</b>	<b>PS-20/140 M</b>	<b>PS-20/160 M</b>	<b>PS-20/200 M</b>
Produção teórica (kg/h)	10-12	13-15	19-21
Ø Cilindro (mm)	200	200	200
Largura útil (mm)	1400	1600	2000
Velocidade de trabalho (m/min)	1,5-6	1,5-6	1,5-6
Altura de carga em mm	990	990	990
Nível sonoro (dB)	63	63	63
Capacidade de evaporação (l/h)	8-10	10-12	12-14

### 1.3. Segurança

Além da paragem de emergência localizada perto do painel de controlo, a engomadora-secadora roupa está equipada com outros dispositivos de segurança descritos abaixo:

#### 1.3.1. Segurança proteção dos dedos

A segurança do operador é garantida por uma placa (mesa de segurança) localizada logo após a mesa de inserção, impedindo assim que as mãos do operador avancem demasiado e evitando assim queimar ou esmagar os dedos.

Um leve contacto nesta placa de segurança faz com que a máquina pare imediatamente exibindo um alarme no painel de controlo. Esta mesa de segurança pode ser considerada como a principal paragem de emergência da máquina (pode ser usada em todo o comprimento).

O espaço entre a mesa de inserção e a mesa de segurança é de 8mm e esta distância não deve ser alterada.

#### 1.3.2. Segurança da manivela

Em caso de utilização da manivela (ver capítulo 4.1), é necessário retirar a placa vermelha situada na lateral direita para inserir a manivela e assim rodar manualmente o cilindro (em caso de falha de energia e se a máquina estiver a alta temperatura). Esta ação, por segurança, para imediatamente a máquina e exibe um alarme no painel de controlo.

#### 1.3.3. Segurança do aquecimento

A máquina está equipada com um termóstato de segurança colocado sobre o cilindro (num dos dois sensores) cujo rearme manual se encontra dentro da estrutura esquerda e é acionado se a temperatura do cilindro for superior a 205 °C. O acionamento do termóstato leva à exibição de um alarme no painel de controlo. **NÃO REINICIAR O TERMOSTATO** se a temperatura exceder 150 °C no visor, aguardar o arrefecimento do cilindro.

Duas sondas de temperatura também são instaladas nos sensores, uma para regulação e outra para segurança, que também exibem um alarme se uma das duas sondas medir uma temperatura superior a 205 °C.

## 1.4. Aquecimento

**Aquecimento elétrico:** garantido por resistências blindadas (número de resistências variável de acordo com o tipo de máquina) colocadas no interior do cilindro.

Tipo Máquina	PS-20/140 M	PS-20/160 M	PS-20/200 M
Número de resistências	3	3	3
Potência da resistência (KW)	3,5	4	5
Potência TOTAL (KW)	10,5	12	15

## 1.5. Opções

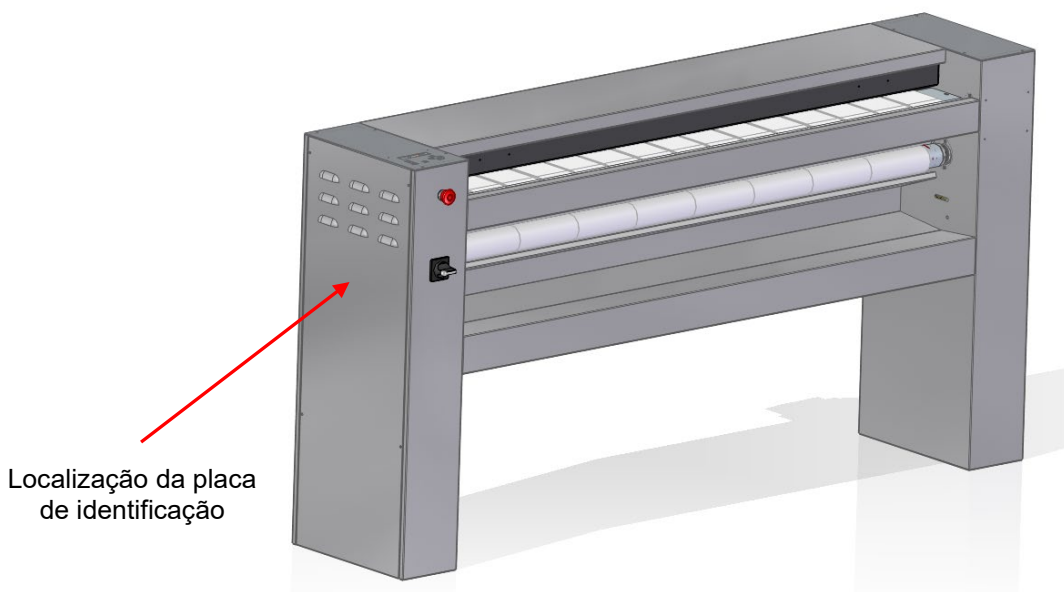
- **Voltagens:** De série, a tensão de alimentação é 400V 3P + T + N 50HZ e, opcionalmente, as seguintes tensões estão disponíveis:
  - 230V 3P + T 50 HZ
  - 230V 3P + T 60 HZ
  - 440V 3P + T 50 HZ (tensão marítima)
  - 440V 3P + T 60 HZ (tensão marítima)

## 2. MANUAL TÉCNICO DE INSTALAÇÃO

### 2.1. Placa de identificação

A placa de identificação deste aparelho está localizada no painel da esquerda. Esta indica:

- Tipo do material e número de série
- Características elétrica (Tensão, potências, proteção)
- Potência total



### 2.2. Instalação



**Atenção:** a máquina só pode ser instalada, configurada e posta em funcionamento por uma equipa de técnicos da empresa fabricante ou por técnicos ou revendedores aprovados pela empresa.

Da mesma forma, a presença do cliente é fortemente recomendada, especialmente para a instalação e durante os primeiros testes.

O aparelho deve ser instalado de acordo com os regulamentos e normas em vigor, num local suficientemente ventilado, limpo e bem arrumado antes, durante e após a instalação. Qualquer resíduo deve ser eliminado nos recipientes apropriados.

#### 2.2.1. Manuseio e embalagem

No momento da entrega, a máquina tem de estar em perfeitas condições, a embalagem não pode estar incompleta ou danificada. Observar as informações indicadas na embalagem (por exemplo, frágil, alto e baixo, teme a chuva, etc.). A máquina tem um peso relativamente considerável e grandes dimensões (ver tabela abaixo) sendo necessário meios de elevação e manuseamento adequados para proceder em total segurança.

A máquina deve ser manuseada com um empilhadora de capacidade suficiente, os garfos do empilhador devem ser mantidos o mais afastados possível para evitar a queda.

Como a máquina é relativamente longa, terá muitas vezes de ser descarregada pela lateral de um camião reboque com abertura lateral (lona).

É imperativo erguer a máquina a partir do seu centro (centro de gravidade no eixo). Não derrubar ou deixar cair a máquina durante o descarregamento, por exemplo.

**Nota:** em caso de lingagem (não previsto e **fortemente desaconselhado**) o manuseamento será da inteira responsabilidade do operador de descarga (**risco de deformação da máquina**).

	DIMENSÕES em mm		PESO (KG)		Volume (m3) Emb.
	(Largura x Profundidade x altura)		sem embalagem	com embalagem	
	total	com embalagem			
<b>PS-20/140 M</b>	1878x666x1110	2130x770x1400	180	220	2,3
<b>PS-20/160 M</b>	2128x666x1110	2340x770x1400	203	240	2,52
<b>PS-20/200 M</b>	2478x666x1110	2780x770x1400	237	275	3

### 2.2.2. Características do local

- A máquina deve ser instalada num local muito bem ventilado, com uma iluminação correta e uma temperatura ambiente entre + 10 °C e + 40 °C (temperatura limite para o inversor de frequência eletrónico do motor de acionamento).
- Para obter o melhor desempenho da máquina, deve garantir a entrada de ar fresco do exterior da sala para o mais próximo possível da máquina. A secção de entrada de ar fresco deve ser pelo menos 4 vezes superior à secção do tubo de saída e, dependendo do modelo, pode haver dois tubos de evacuação de saída.

**Nota:** a secção de entrada de ar fresco equivale à secção através da qual o ar pode circular sem resistência devido à grelha instalada na própria entrada. Deve-se ter em conta que muitas vezes as barras da grelha ocupam uma grande parte da secção da grelha.

Deve ser deixado espaço suficiente ao redor da máquina para permitir um funcionamento adequado:

- 10 cm, no mínimo, na parte de trás, inclusive.
- 60 a 80 cm de cada lado para a manutenção e reparação.
- Um espaço necessário deve ser deixado livre para permitir que o operador trabalhe de forma correta e segura.

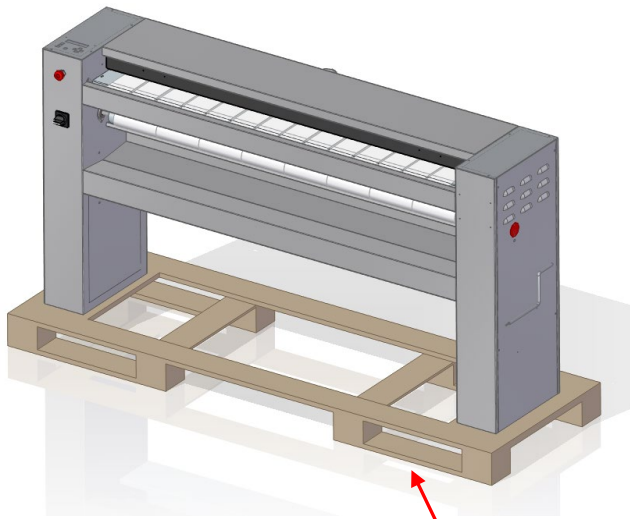
É necessária uma resistência mínima do solo para a instalação deste tipo de máquina (ver tabela abaixo).

Tipo Máquina	PS-20/140 M	PS-20/160 M	PS-20/200 M
Peso (KG)	180	203	237
Superfície no solo (m <sup>2</sup> )	1,25	1,4	1,65
Esforço estático (daN/m <sup>2</sup> )	692	780	911

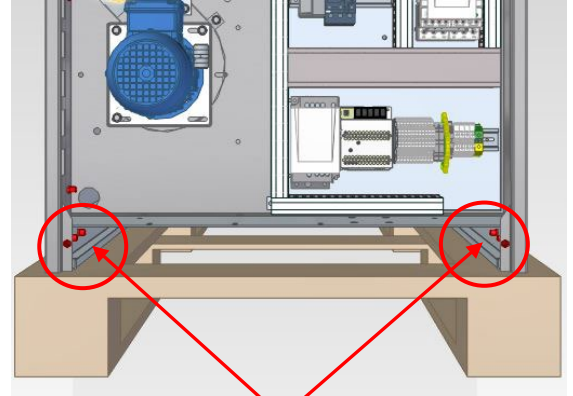
### 2.2.3. Implementação

Antes de remover os elementos de transporte (paletes e traves), levar a máquina o mais próximo possível da sua instalação final.

A engomadora-secadora é entregue sobre uma paleta que é fixada aos 4 cantos da máquina por 4 parafusos. Para aceder e remover os parafusos, é necessário remover os painéis laterais.



Paleta



Posição dos parafusos  
(vista do lado esquerdo)

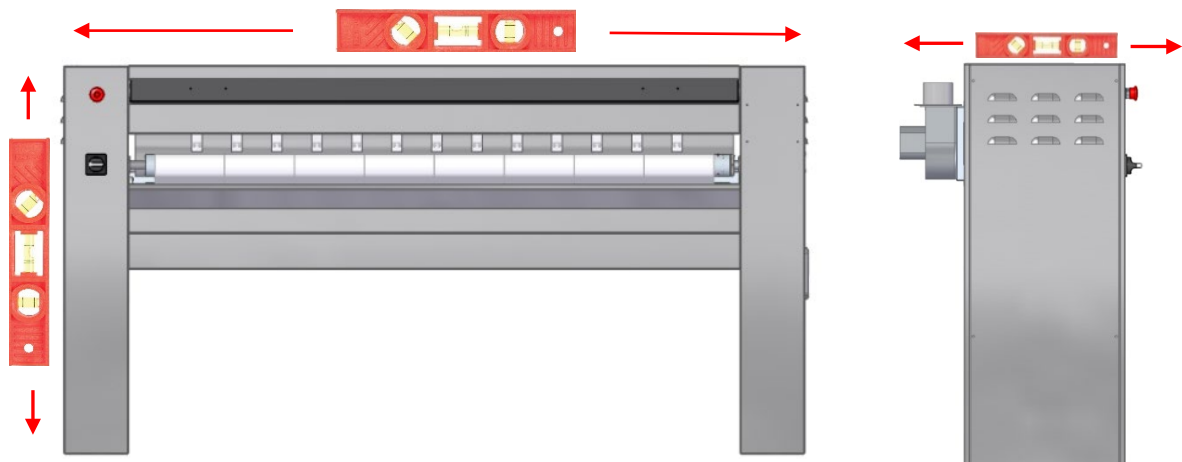
Após remover os 4 parafusos, retirar a paleta e pousar delicadamente a máquina no solo.

#### 2.2.4 Nivelamento



**O perfeito nivelamento horizontal e vertical da máquina é imperativo para um correto funcionamento.**

Se necessário, adicionar calços por baixo da máquina.



Um nivelamento incorreto provoca uma força de deslocação lateral (esquerda ou direita) das cintas de engomar, aumentando assim o desgaste das mesmas.

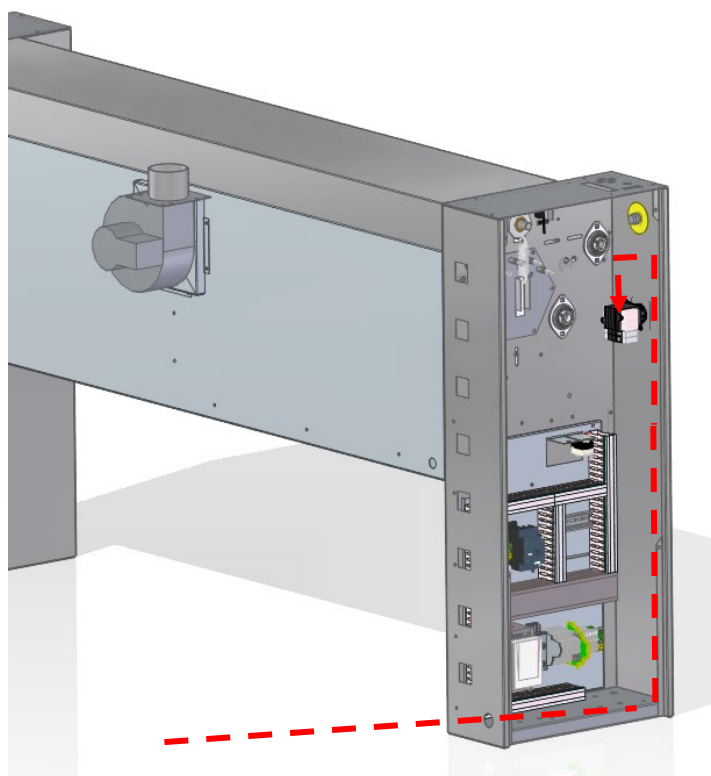
### 2.2.5 Ligação elétrica

O cabo de alimentação elétrico não é fornecido.

A máquina deve ser ligada eletricamente por um cabo elétrico com as características definidas nas tabelas seguintes e protegida por um **disjuntor diferencial 300 mA ou 30 mA SI (Super imune)**. O cabo elétrico não deve ser ligado a uma ficha e deve ser previsto um mínimo de 50 cm de folga na máquina para ligar o cabo diretamente ao seccionador da máquina, sendo que deve haver uma distância máxima de 3 metros entre a ligação ao seccionador e o dispositivo de proteção (disjuntor).

A instalação elétrica deve estar em conformidade com as normas em vigor. Certificar-se de que a tensão de alimentação corresponde aos dados técnicos indicados na placa de identificação situada na parte posterior da máquina (ver capítulo 2.1).

**O aterramento deve ser ligado corretamente para garantir a segurança dos utilizadores e um correto funcionamento.**



O cabo de alimentação deve ser ligado ao seccionador situado na estrutura esquerda. O cabo de alimentação elétrico deve passar pela parte de trás da máquina através de um dos orifícios da estrutura, como mostrado acima.

<b>Especificações elétricas</b>				
		<b>PS-20/140 M</b>	<b>PS-20/160 M</b>	<b>PS-20/200 M</b>
Potência motor (KW)		0,37	0,37	0,37
Potência aquecimento (KW)		10,5	12	18
Potência total (KW)		10,87	12,37	18,37
Tensão de alimentação				
Proteção (A)	400V 3P + N + T	20	20	32
	230V 3P + T	32	40	50
Secção de cabo (mm <sup>2</sup> )	400V 3P + N + T	5G4mm <sup>2</sup>	5G4mm <sup>2</sup>	5G6mm <sup>2</sup>
	230V 3P + T	4G6mm <sup>2</sup>	4G10mm <sup>2</sup>	4G10mm <sup>2</sup>

### 2.2.6 Ligação da evacuação de vapores

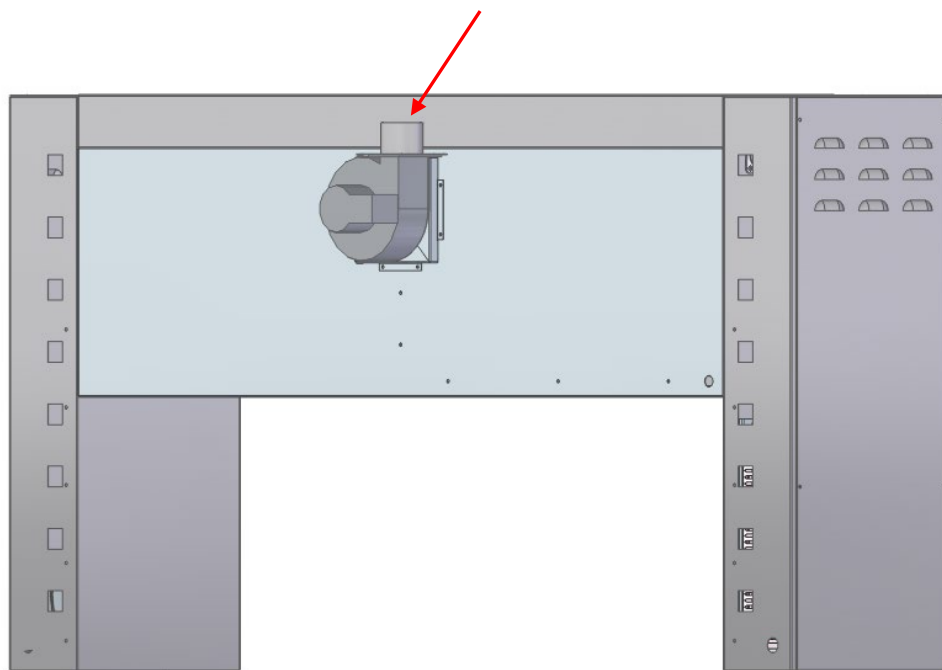
A ligação dos vapores para o exterior é **obrigatória** (conduta de evacuação não fornecida). O ar evacuado deve ser canalizado para fora do local de trabalho e nunca deve ser ligado a outras chaminés, que já são utilizadas para extrair o fumo de outros equipamentos.

A localização destas condutas deve situar-se dentro dos limites estabelecidos na legislação ambiental térmica. O tubo utilizado deve ser rígido e metálico e resistir à temperatura (150 °C) e nunca deve passar muito perto de materiais inflamáveis ou materiais suscetíveis de serem deformados por excesso de temperatura.

O interior do tubo deve ser liso de modo a não perturbar o percurso do ar ou conter elementos sobre os quais a fuligem se possa acumular (parafusos, rebites, etc.).

É recomendável ter tampas de inspeção na conduta para facilitar a limpeza periódica da conduta.

Ligação dos vapores com  
**Ø83 mm** (na parte superior)





A conduta de saída deve ser o mais curta possível. Não deve **exceder 5 metros**, ter mais de **2 cotovelos de 90 °** e deve ter uma inclinação de 2 % para fora nas secções horizontais para evitar o escoamento da condensação para a máquina, e deve possuir uma **válvula antirretorno**.

- Se a conduta de evacuação tiver de exceder 5 metros e incluir 2 cotovelos, recomenda-se aumentar o diâmetro da conduta de evacuação ou adicionar um motor de extração na conduta.

O dimensionamento deste motor de extração deve ser efetuado por uma empresa especializada no tratamento do ar de acordo com as seguintes indicações:

- Potência do motor de ventilação: 0,09 KW
- Fluxo de extração: 300 m<sup>3</sup>/h
- Perda de carga na saída do ventilador: 30 Pa

### **2.2.7 Primeira colocação em funcionamento**

Depois de verificar que a máquina está instalada de acordo com as recomendações deste manual (nivelamento, ligação elétrica), ligar a engomadora-secadora:

- Rodar o seccionador situado na parte de trás da máquina, do lado esquerdo, para a posição 1.
- Verificar se o botão de paragem de emergência não está engatado.
- Pressionar START para remover o papel de parafina enrolado à volta do rolo.
- Certificar-se de que os sensores estão nas posições corretas antes e logo após o 1.º arranque da máquina, uma vez que podem estar mal posicionados devido à parafina aplicada em fábrica para proteger o cilindro da corrosão (ver capítulo 4.4).
- Verificar se a máquina está a funcionar corretamente (em caso de qualquer anomalia, consultar o capítulo 5).
- Dar formação para a utilização ao pessoal operacional, conforme descrito no capítulo 3.

### 3 MANUAL DE UTILIZAÇÃO

#### 3.1 Recomendações de utilização

A engomadora-secadora está equipada com um painel de controlo que permite, entre outras coisas, ajustar a temperatura e a velocidade do cilindro, que devem estar adaptadas de acordo com o tipo de roupa a secar e engomar.

Estes dois parâmetros (temperatura e velocidade) devem ser adaptados pelo utilizador em função do tipo de roupa a secar e engomar. Se a roupa ainda estiver molhada na saída, a temperatura deve ser aumentada e/ou a velocidade reduzida. Inversamente, reduzir a temperatura e/ou velocidade se a roupa sair muito rígida ou ligeiramente amarelada (sinais de sobreaquecimento).

A roupa deve conter uma humidade relativa entre **25 % e 50 %**.

A temperatura máxima de ajuste é de 180 °C.

Insira a peça de roupa na máquina, colocando-a sobre a mesa de inserção (uma boa inserção da roupa, uma roupa achatada e bem esticada resultará numa melhor qualidade de engomagem).

Para grandes peças de roupa, o trabalho é feito por duas pessoas em pé em frente à máquina. Cada pessoa deve segurar uma extremidade da peça de roupa e inseri-la ao mesmo tempo.

A altura de carga e a inclinação da mesa de inserção permitem uma ergonomia perfeita, eliminando assim as perturbações músculo-esqueléticas ligadas a este posto de trabalho.

A roupa será automaticamente encaminhada para ser seca e engomada, e poderá ser recolhida na bandeja de receção ou transportada para a saída frontal ou traseira, no caso de uma máquina equipada com a opção de dobragem.

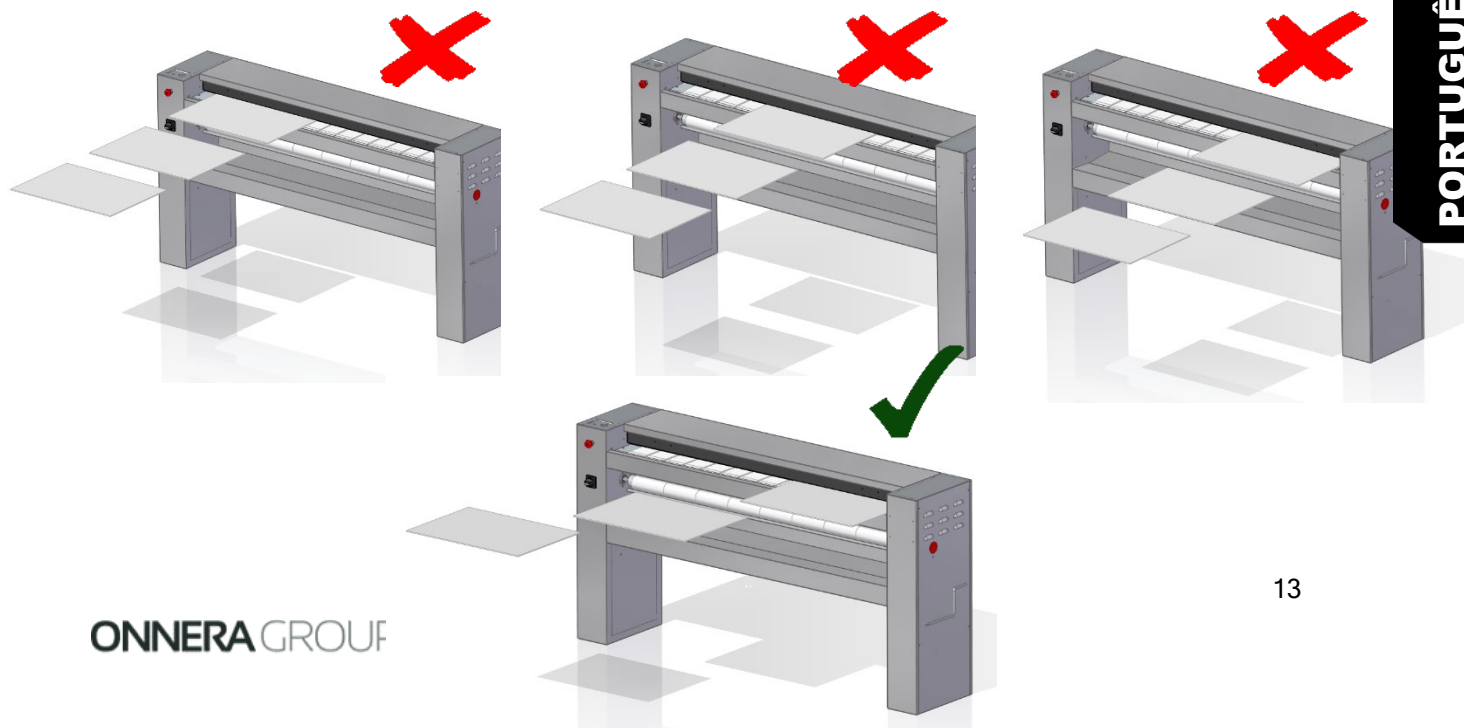
Uma opção (modo automático) permite ajustar automaticamente a velocidade do cilindro de acordo com a taxa de humidade residual detetada na roupa.

A roupa deve estar esticada (sem botões, fechos, botões de pressão, fivelas, etc.), não deve ser dobrada antes de ser introduzida na máquina para uma qualidade ótima e não deve ter uma espessura superior a 8 mm.

A fim de limitar ao máximo a inércia de aquecimento, é aconselhável começar a trabalhar quando a temperatura é ligeiramente mais baixa do que a temperatura definida.

Se uma paragem da produção for superior a 15 minutos, é aconselhável premir STOP para mudar a máquina para a fase de arrefecimento e assim limitar o consumo desnecessário de energia. Pressionar novamente START para retomar o trabalho e reiniciar o aquecimento da máquina.

No caso de engomar pequenas peças de roupa, é essencial trabalhar sucessivamente em todo o comprimento de engomagem, de modo a obter um trabalho regular e uma melhor longevidade das cintas de engomar, que podem deteriorar-se rapidamente.



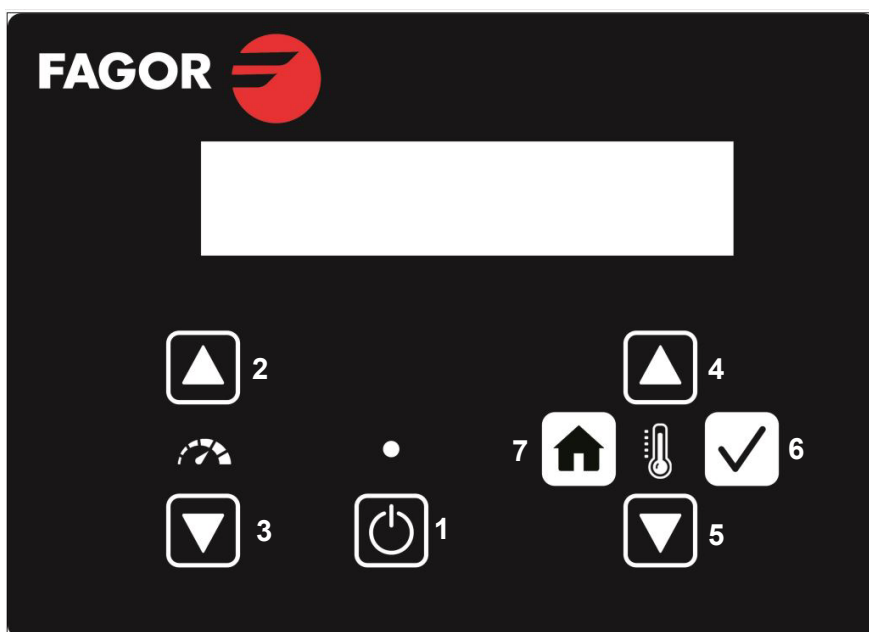


**IMPORTANTE:** A máquina não deve ser parada a alta temperatura, sendo necessário pressionar o botão “START-STOP” (1) para entrar em fase de arrefecimento. A máquina irá parar automaticamente quando a temperatura atingir **80 °C**. Não parar a máquina pressionando o botão de paragem de emergência que só deve ser usado em caso de extrema necessidade.

### **3.2 Descrição do painel de controlo**

Ligue a máquina eletricamente acionando o interruptor principal localizado na parte traseira direita da máquina (a paragem de emergência não deve estar engatada).

No arranque e durante alguns segundos, o visor mostra a versão do microprocessador e depois indica “PRESS START”.



- 1- Botão “START-STOP”
- 2- Aumento da velocidade de engomagem
- 3- Diminuição da velocidade de engomagem
- 4- Aumento da temperatura
- 5- Diminuição da temperatura
- 6- Botão de validação
- 7- Botão para aceder ao menu de manutenção (reservado aos serviços técnicos)

### **3.3 Execução de um ciclo**

Ao premir diretamente o botão “START-STOP”, a engomadora-secadora começa à velocidade e temperatura do último ciclo efetuado.

Note-se que no arranque, a máquina está em pré-aquecimento a 130 °C (parâmetro modificável) à velocidade reduzida (3m/min) e a velocidade não pode ser modificada durante esta fase.

Além disso, para as máquinas de aquecimento elétrico, os motores dos ventiladores só são ativados quando metade da temperatura definida é atingida.

Durante o funcionamento, o visor mostra a temperatura real do cilindro e a velocidade de rotação do cilindro (ecrã de execução), e estes parâmetros podem ser alterados utilizando os botões correspondentes.

Ao premir um dos dois botões de ajuste da velocidade (2 e 3), a velocidade evolui de 0,5 em 0,5 m/min de 1,5 até 6 m/min.

Ao premir um dos dois botões de ajuste da temperatura (4 e 5), o ecrã indica “TEMPERATURE SET” e a temperatura definida que pode ser ajustada de 1 °C a 180 °C. Depois de ajustar a temperatura definida, pressionar o botão de validação (6) para validar a temperatura definida e voltar ao ecrã de execução.

Quando a unidade está desligada, o modo de funcionamento pode ser selecionado pressionando as setas de controlo da temperatura (4 e 5):

- **Modo manual:** o próprio operador define a velocidade de engomagem
- **Modo automático:** a velocidade é adaptada de acordo com a evolução da temperatura (por exemplo, dependendo da carga, a velocidade diminui se a temperatura cai rapidamente).

Ao pressionar STOP, o programa muda para a fase de arrefecimento (se a temperatura do cilindro for superior a 80 °C) e a máquina para automaticamente quando a temperatura atinge os 80 °C.

É possível reiniciar a qualquer momento durante a fase de arrefecimento.

Se a temperatura do cilindro for inferior a 80°C, ao pressionar “START-STOP” (1) a máquina para instantaneamente sem uma fase de arrefecimento.

### **3.4 Menu de manutenção**

O menu de manutenção permite ajustar certos parâmetros relacionados com o funcionamento da máquina.

Para aceder ao menu de manutenção com a máquina parada, pressionar o botão de acesso ao menu de manutenção (7) para exibir “ENTER CODE - 0000” no ecrã. Introduzir o código “1111” usando os botões “aumento da temperatura” (4) para selecionar o 1.º dígito (entre 0 e 9) e o “botão de validação” (6) para validar e ir para 2.º dígito e assim por diante.

#### **Lista dos parâmetros:**

Os valores podem ser modificados utilizando os botões 4 e 5 a validar através do botão de validação (6).

- **MÁX TEMP:** Temperatura máxima definida correspondente à temperatura máxima definida ajustável pelo utilizador. Ajustável de 100 °C a 180 °C (valor por defeito = 180 °C)
- **PREHEATING:** Temperatura de pré-aquecimento ajustável de 20 °C a 180 °C (valor por defeito = 130 °C)
- **COOL DOWN TEMP:** Temperatura de arrefecimento em que a máquina para automaticamente. Ajustável de 60 °C a 105 °C (valor por defeito = 80 °C)
- **PREVENTIVE MAINTENANCE:** É possível programar um tempo em horas e quando este tempo de funcionamento é atingido, aparece uma mensagem cada vez que a máquina é ligada (valor por defeito = 0, sem mensagem) a fim de planear uma manutenção completa na máquina (ver capítulo 6).  
A mensagem pode ser reposta no menu de estatísticas (Ver capítulo 3.5).

### 3.5 Menu de estatísticas

O menu de estatísticas permite visualizar algumas das estatísticas da máquina e reiniciar o contador de manutenção.

Para aceder ao menu de estatísticas com a máquina parada, pressionar o botão de acesso ao menu de manutenção (7) para exibir “ENTER CODE - 0000” no ecrã. Introduzir o código “1234” usando os botões “aumento da temperatura” (4) para seleccionar o 1.º dígito (entre 0 e 9) e o “botão de validação” (6) para validar e ir para 2.º dígito e assim por diante.

- **TOTAL TIME:** correspondente ao tempo, em horas, em que a máquina está ligada.
- **RUN TIME:** correspondente ao tempo, em horas, em que a máquina está a funcionar.
- **HEAT TIME:** correspondente ao tempo, em horas, em que a máquina se encontra na fase de aquecimento.
- **PREVENTIVE HOURS:** correspondente ao tempo, em horas, a partir do momento em que a manutenção preventiva foi programada no menu de manutenção (ver capítulo 3.4).
- **RESET COUNTER M:** Permite repor a estatística “PREVENTIVE HOURS” seleccionando “YES” com os botões 4 e 5, validar premindo 6 e assim remover a mensagem de manutenção preventiva (“PREV MAINTENANCE”) que aparece em cada arranque quando é atingido o número de horas definido no menu de manutenção (ver capítulo 3.4).

## 4 MANUAL TÉCNICO

### 4.1 Utilização da manivela (em caso de falha de energia)



**Em caso de falha de energia ou avaria de material** (paragem da máquina cilindro quente) é essencial isolar imediatamente as cintas de engomar do cilindro.

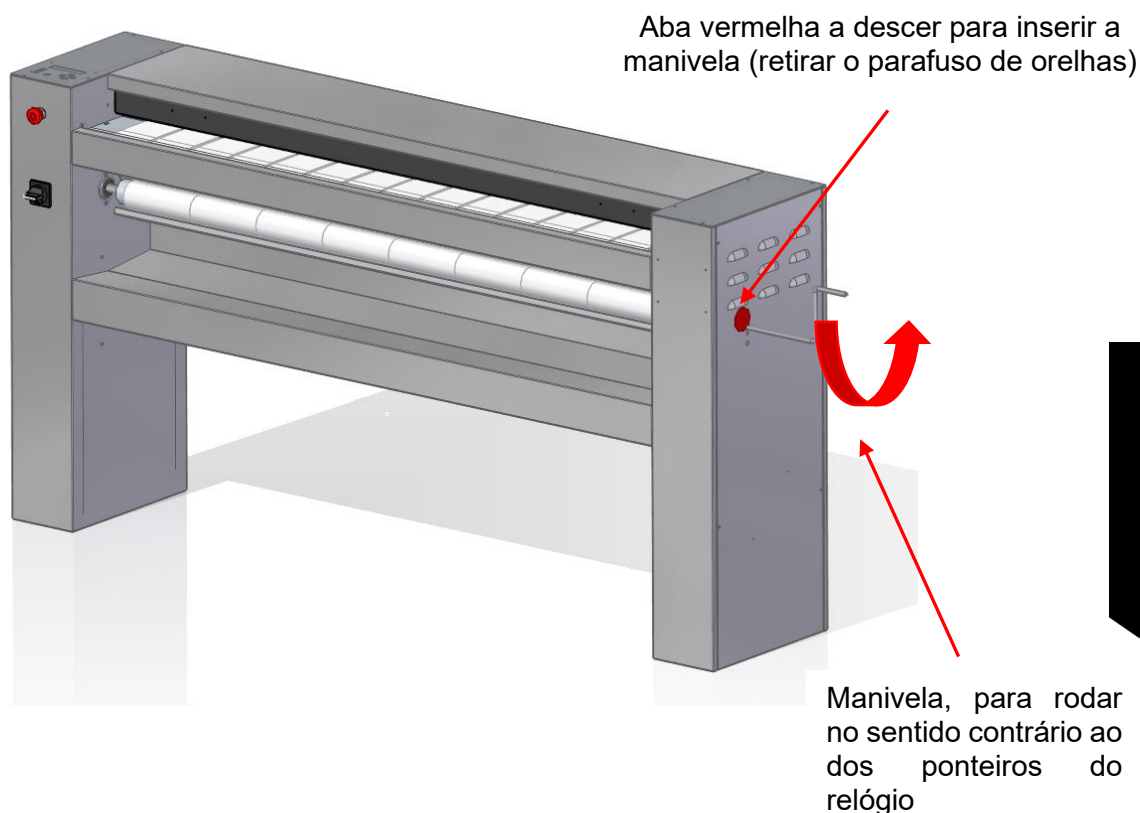
Para tal, inserir na máquina um tecido espesso, muito húmido e do tamanho correto (mal torcido), manobrando-o com a manivela prevista para o efeito (a manivela deve estar sempre acessível e a sua posição inicial é no painel lateral direito da máquina).

Introduzir a manivela no furo do painel direito da máquina depois de inclinar a aba vermelha para cima (para que a manivela possa ser introduzida indicado abaixo). Quando a aba vermelha está inclinada para cima, a máquina não pode arrancar e aparecerá um alarme se START-STOP for pressionado (Alarme 2).

Rodar a manivela no sentido anti-horário continuamente até que o tecido tenha passado pela máquina várias vezes e o suficiente para arrefecer e proteger o cilindro e as cintas.

É necessário um mínimo de duas pessoas para realizar esta manipulação **em caso de emergência**, uma ou duas pessoas para introduzir as peças de roupa enquanto a outra roda a manivela.

Quando a manivela é removida, a aba inclina-se para a sua posição original para baixo e ativa um contacto de segurança que permite o arranque da máquina.

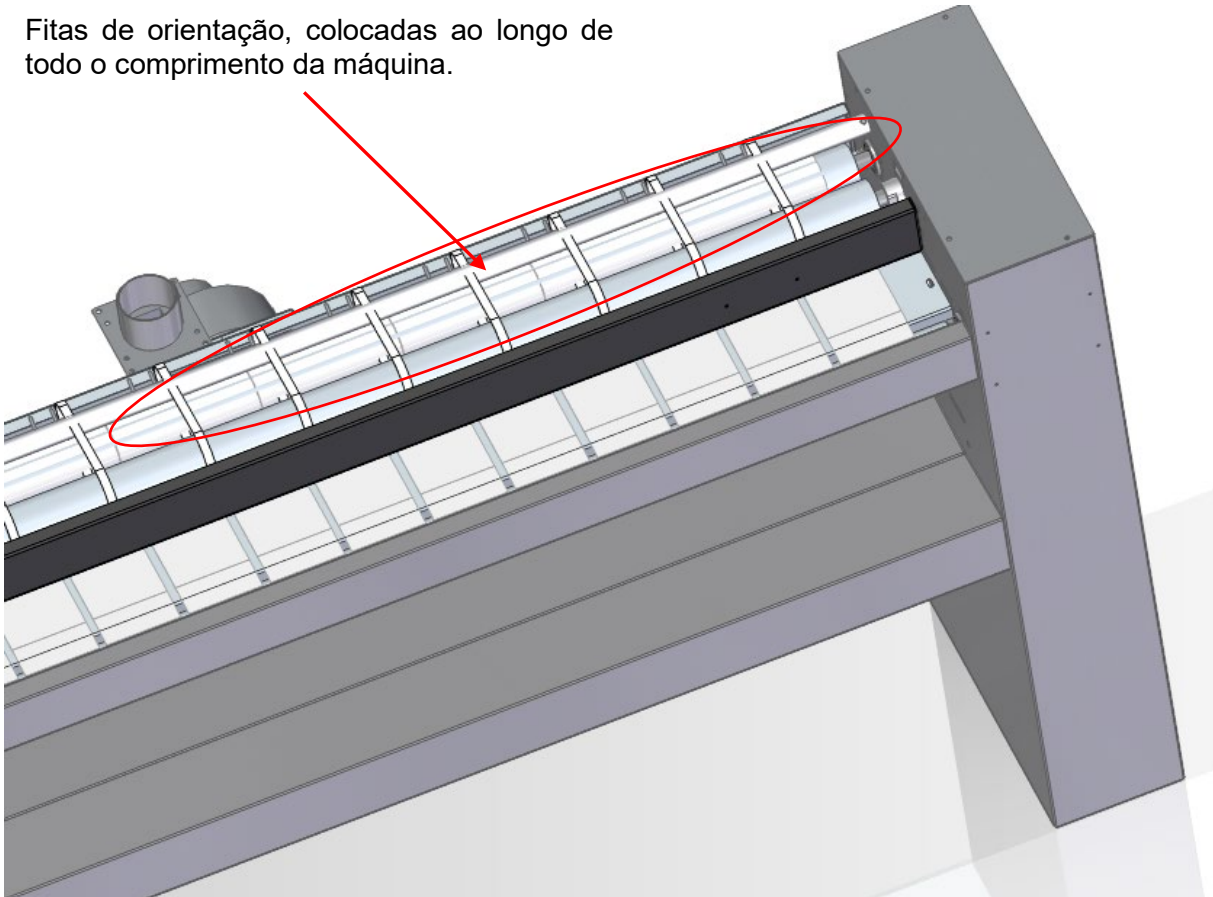


## 4.2 Substituição das fitas de orientação

As fitas de orientação impedem que a roupa se enrole à volta do rolo de pressão, por isso verifique regularmente a presença de todas as fitas de orientação. A sua presença é indispensável.

A referência das fitas de orientação é 12156329 (fornecida ao metro).

Fitas de orientação, colocadas ao longo de todo o comprimento da máquina.



Para aceder às fitas de orientação, retirar o painel superior.

As fitas de orientação devem ser fixadas com grampos de aço inoxidável e não devem ser atadas com nós (isto poderia marcar a roupa). Não devem ser montadas esticadas, mas ligeiramente flexíveis porque com o efeito do calor, a fita encolhe e pode romper rapidamente. Não esticá-las para evitar que rompam prematuramente.

## 4.3 Paragem prolongada e parafinação

Para evitar a corrosão do cilindro, especialmente em caso de paragem prolongada (mais de 1 semana), é necessário revestir o cilindro com uma camada de parafina; para isso, proceder da seguinte forma:

- Máquina parada, cilindro ligeiramente quente (entre 110°C e 100°C em fase de regulação ou arrefecimento)
- Levantar os painéis superiores.
- Rodar o cilindro a velocidade reduzida.



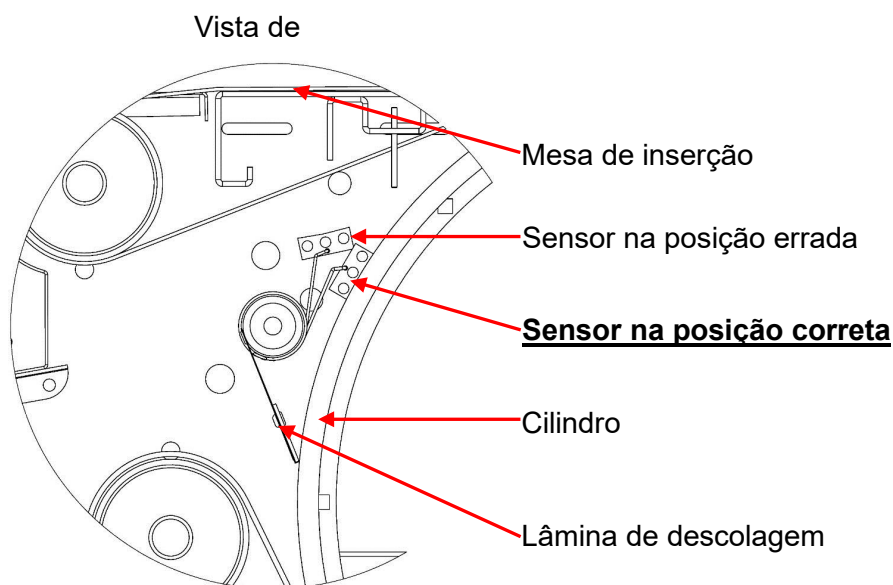
- Revestir a superfície do cilindro com cera de parafina em passagens sucessivas, de modo a revestir toda a superfície do cilindro.
- Em seguida, coloque uma peça de roupa ao redor do rolo durante o tempo de paragem prolongada.

Referência do bloco de parafina: 12156317

Quando a máquina é reiniciada após uma paragem prolongada, a parafina evapora-se naturalmente a alta temperatura. No entanto, é preferível passar algumas peças de roupa gastas antes de iniciar o trabalho normal de produção, a fim de remover toda a parafina.

#### **4.4 Controlo e limpeza dos sensores**

A máquina está equipada com 2 sensores, colocados no cilindro e localizados sob a mesa de inserção, nos quais estão alojados as 2 sondas de temperatura e o termostato de segurança que permitem regular e fixar a temperatura do cilindro. A posição correta dos sensores deve ser verificada antes de cada colocação em funcionamento (máquina fria) e devem ser limpos (cotão da roupa) regularmente (ver capítulo 6).



## 5 ANOMALIAS E ALARMES

### 5.1 Anomalias diversas

A máquina está equipada com um microprocessador que possui alarmes, cujos detalhes são fornecidos abaixo, para informar o utilizador sobre diversos problemas de funcionamento, segurança ou alarmes informativos. Contudo, algumas anomalias podem ocorrer sem que o ecrã possa exibir um alarme, sendo dada aqui uma lista não exaustiva:

ANOMALIAS	VERIFICAÇÕES
O ecrã está desligado	Verificar se o seccionador está em posição "I"
	Verificar se a tensão elétrica chega à máquina
	Verificar se a paragem de emergência não está ativada
	Verificar o fusível de comando F1
O cilindro gira lentamente	A temperatura de pré-aquecimento de 130 °C deve ser atingida
A temperatura do cilindro não aumenta	Verificar o termóstato de segurança de rearme manual localizado na estrutura esquerda da máquina. Se estiver acionado, não o rearmar se a temperatura do cilindro for superior a 150 °C
A temperatura do cilindro é muito importante e não corresponde à temperatura indicada no ecrã	Verificar que os sensores estão limpos e nas posições corretas
A qualidade de engomagem é má	Verificar a tensão e/ou o desgaste das cintas de engomar. Substituí-las caso seja necessário.
	Verificar o estado do rolo de pressão em moletão e substituí-lo, se necessário
	Verificar a tensão e/ou o desgaste das cintas de introdução. Substituí-las, se necessário
	A temperatura e/ou a velocidade não estão adaptadas ao tipo de roupa
A máquina sobreaquece de um lado (as cintas ficam mais escuras do que do outro lado)	Certificar-se de distribuir a roupa uniformemente por todo o comprimento de trabalho do cilindro (Ver capítulo 3.1)
Após a secagem/engomagem, na saída da máquina, a roupa tem eletricidade estática e "cola" às cintas de engomar	Durante o ciclo de lavagem da roupa, adicionar um amaciador com propriedades antiestáticas no último enxaguamento e/ou reduzir o PH da água no último enxaguamento para 5.
A roupa sai amarelado	A roupa está mal enxaguada (resíduo de detergente) ou a temperatura do cilindro é demasiado elevada.
O cilindro branqueia	A água utilizada para lavar a roupa tem um PH elevado (reduzi-lo abaixo de 14)

## 5.2 Lista de alarmes

ALARME	DESCRIÇÃO	CAUSA / SOLUÇÃO
<b>ALARME 1</b>	Segurança mesa (proteção dos dedos)	O dispositivo de segurança da mesa (proteção dos dedos) foi ativado. Se o problema persistir, verificar os contactos elétricos de segurança da mesa nas estruturas esquerda e direita.
<b>ALARME 2</b>	Segurança da manivela	O dispositivo de segurança da manivela foi ativado, a placa vermelha não está na posição correta. Se o problema persistir, verificar o contacto elétrico na estrutura direita.
<b>ALARME 6</b>	Falha no variador	O variador do motor do cilindro não funciona (visível no ecrã do variador). Verificar o motor de acionamento, a cablagem do variador/motor, a tensão de alimentação do variador, etc.
<b>ALARME 7</b>	Erro sonda de temperatura NTC1 (regulação)	A sonda de temperatura NTC1 está desconectada ou defeituosa.
<b>ALARME 8</b>	Manutenção preventiva	Esta mensagem aparece quando o contador de horas (definido no menu de manutenção) é atingido, avisando para efetuar uma manutenção preventiva na máquina (ver capítulos 3.4 e 3.5).
<b>ALARME 9</b>	Erro de comunicação CAN	A comunicação entre a placa do ecrã (A13) e a placa de relés (A10) é interrompida ou defeituosa.
<b>ALARME 10</b>	Erro de aquecimento	A temperatura definida não foi atingida após 90 minutos de funcionamento.
<b>ALARME 12</b>	Sobreaquecimento (termostato de segurança)	Devido ao sobreaquecimento, o termóstato de segurança foi acionado. É reset manual e está localizado no quadro esquerdo.

Se um dos alarmes persistir, contactar o serviço técnico do seu revendedor.

## 6 MANUTENÇÃO PREVENTIVA

Qualquer operação de manutenção deve ser feita por um técnico qualificado.

**ANTES DE QUALQUER OPERAÇÃO DE MANUTENÇÃO, DESLIGAR A ALIMENTAÇÃO ELÉTRICA DA MÁQUINA NO DISJUNTOR DA INSTALAÇÃO E VERIFICAR A AUSÊNCIA DE TENSÃO.**

**ATENÇÃO, SE A MANUTENÇÃO FOR EFETUADA IMEDIATAMENTE APÓS O TRABALHO, A MÁQUINA AINDA PODE TER PARTES MUITO QUENTES, EXISTINDO NESTE CASO UM RISCO DE QUEIMADURA.**

**DURANTE A MANUTENÇÃO, CONVÉM EQUIPAR-SE COM EQUIPAMENTOS DE PROTEÇÃO INDIVIDUAL ADEQUADOS (luvas, verificador de ausência de tensão, etc.)**

Os dispositivos de segurança não podem ser eliminados (mesmo temporariamente) ou modificados. Em caso de dúvida, contactar o serviço técnico do seu revendedor indicando-lhe o modelo e o número de série da máquina.

### NUNCA PULVERIZE A MÁQUINA COM ÁGUA

No menu de manutenção, é possível programar um alarme para avisar que a manutenção preventiva deve ser executada (ver o capítulo 3.4). Este alarme é programável por hora de funcionamento, portanto, logo, após o número de horas de trabalho programadas, o alarme aparecerá no ecrã sempre que a máquina for ligada até que uma nova programação de manutenção seja programada ou o alarme seja desativado.

Abaixo está uma tabela que resume a manutenção preventiva que deve ser realizada e com que frequência:

Pontos de verificação e manutenção	Frequência (horas)
Verificação de todos os dispositivos de segurança da máquina: Paragem de emergência, segurança mesa, segurança manivela, termóstato de segurança, ligação à terra (elétrica).	500
Limpeza geral: no interior, nas estruturas (cotão e graxa), turbina de ventilação, lâminas de descolagem, sensores, mangueiras de pressostato	
Verificar o estado dos sensores e a sua posição (ver capítulo 4.5)	
Substituição do conjunto das fitas de orientação (ver capítulo 4.3)	
Verificação e aperto das ligações elétricas no seccionador, interruptor de aquecimento e resistências	

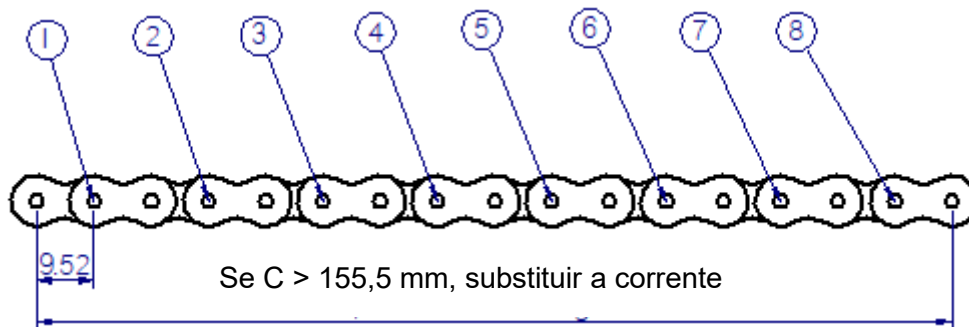
Pontos de verificação e manutenção	Frequência (horas)
Verificar a tensão da corrente de acionamento (grande) e lubrificar ligeiramente a corrente de acionamento (grande), a corrente do rolo de pressão (pequena) e as rodas dentadas com lubrificante fluido (ver detalhe das correntes abaixo)	1000
Verificar visualmente o estado das cintas de engomar, das cintas de introdução, do rolo de pressão em moletão e das correias do transportador da dobradora para antecipar a sua substituição, se necessário	
Verificar a tensão das cintas de engomar, das cintas de introdução, do rolo de pressão em moletão e das correias do transportador da dobradora. O ajuste destas tensões deve ser o mesmo em ambos os lados.	
Verificar visualmente o estado dos rolos laterais (x2) para antecipar a sua substituição, se necessário.	
Limpar a conduta de evacuação	

**NOTA:** A frequência é definida com base numa semana de 40 horas de trabalho, 2000 horas correspondem a aproximadamente um ano.

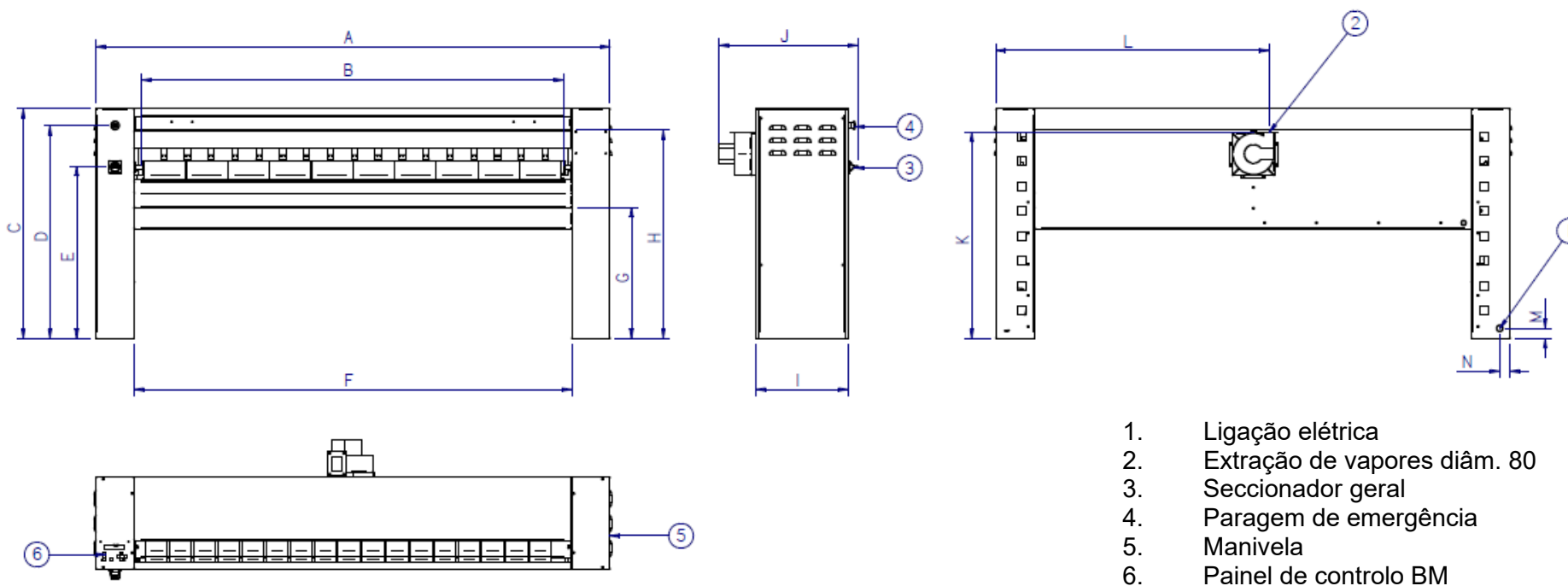
As correntes estão equipadas com elos de libertação rápida para uma desmontagem fácil. A corrente do satélite de acionamento (grande) é tencionada automaticamente por meio de uma roda dentada de tensão automática que deve ser solta para a desmontagem da corrente e apertada novamente para a remontagem.

A corrente de acionamento do rolo de pressão (pequena) não é deliberadamente tencionada. Abaixo encontra-se uma descrição de como determinar o estado de desgaste das correntes e quando devem ser substituídas:

**Pequena e grande correntes de transmissão (passo = 9,52 mm)**



## 7. PLANOS DE IMPLANTAÇÃO



Tipo	A	B	C	D	E	F	G	H	I	J	K	C	M	N
<b>PS-20/140 M</b>	1878	1470	1110	1028	830	1510	631	1006	444	666	995	1016	50	50
<b>PS-20/160 M</b>	2128	1720	1110	1028	830	1760	631	1006	444	666	995	1141	50	50
<b>PS-20/200 M</b>	2478	2070	1110	1028	830	2110	631	1006	444	666	995	1316	50	50





РУКОВОДСТВО ПОЛЬЗОВАТЕЛЯ

Плоские утюги

PS-20/140 M

PS-20/160 M

PS-20/200 M

12314877

01/09/2022



**Fabricant / Manufacturer / Fabricante :**

**ONNERA GROUP**

Parc d'activité de Sologne, BP 19 41600 LAMOTTE BEUVRON – France  
Tél. +33 (0)2 54 88 05 76 – Fax +33 (0)2 54 96 89 04

**Type de la machine / Type of the machine / Tipo de la máquina :**

Sécheuses repasseuses, Flatwork ironers, Calandras

**Modèle. Model. Modelo**

PS-20/140 M E, PS-20/160 M E, PS-20/200 M E  
PS-35/140 M G, PS-35/160 M G, PS-35/200 M G,  
PS-35/140 M E, PS-35/160 M E, PS-35/200 M E  
PS-35/200 M PLUS E, PS-35/260 M PLUS E, PS-35/330 M PLUS E  
PS-35/200 M PLUS GR, PS-35/260 M PLUS GR, PS-35/330 M PLUS GR

*Nous déclarons sous notre responsabilité que les machines, dont le type est indiqué ci-dessus, ont été fabriquées en conformité avec les directives U.E. suivantes :*

*We herewith declare under our responsibility that the machines whose type is stated above have been manufactured in conformity with the following E.U. directives:*

*Declaramos bajo nuestra responsabilidad que las máquinas cuyo tipo se indica arriba se ha fabricado conforme a las U.E. directivas siguientes:*

- **Machine Directive 2006/42/EC (include Low voltage directive 2014/35/UE)**
- **Electromagnetic compatibility Directive 2014/30/UE**
- **RoHS II-directive 2011/65/UE**
- **Regulation (EU) 2016/426 “gas appliances” registered under No 029 M**

*Pour lesquelles nous avons suivi les normes / For what have been followed the standards / Para lo cual se han seguido las normas :*

**EN-60204-1:** Sécurité des machines - Equipements électriques des machines – Règles générales / Safety of machinery - Electrical equipment of machines -- General requirements / Seguridad de las máquinas. Equipo eléctrico de las máquinas. Requisitos generales.

**NF EN ISO 10472-1+5 :** Exigences de sécurité pour les machines de blanchisserie industrielle – Prescriptions communes + sécheuses repasseuses / Safety requirements for industrial laundry machinery. Common requirements + Flatwork ironer / Requisitos de seguridad para la maquinaria de lavandería industrial. Requisitos comunes + calandra

**EN-61000-6-2 + EN-61000-6-4 :** Compatibilité électromagnétique (CEM) - Immunité + Emission / Electromagnetic compatibility (EMC) - Immunity + Emission / Compatibilidad electromagnética (CEM). Inmunidad + Emisión

Le 06/09/2022,

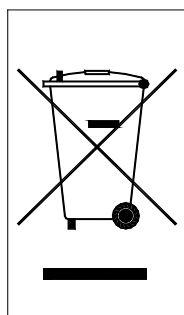
Approbateur Technique, Technical aprobator, Aprodor tecnico :

**ONNERA GROUP**  
Parc d'activités de Sologne  
3 rue Léonard de Vinci  
41600 Lamotte Beuvron France  
Tél. 0033 2 54 88 05 76  
SIRET 342 222 759 00058

Техническая документация содержит конфиденциальную информацию. Мы доводим до вашего сведения, что раскрытие третьим лицами и копирование этих документов запрещены и мы будем преследовать по закону авторов таких копий.

**Утилизация электрического и электронного оборудования по окончании срока эксплуатации**

Этот символ, нанесенный на изделие или его упаковку, указывает на то, что оно не должно утилизироваться так же, как бытовые отходы. Оно должно быть доставлено в точку сбора для переработки электрического и электронного оборудования.



**ОРИГИНАЛЬНАЯ ИНСТРУКЦИЯ**  
**СУШИЛЬНО-ГЛАДИЛЬНАЯ МАШИНА PS-20/ M E**

**ВНИМАНИЕ**



Риск раздавливания пальцев



Электрические риски



Риск ожога

## СОДЕРЖАНИЕ

### 1 ОБЩЕЕ ОПИСАНИЕ

1.1	Введение.....	3
1.2	Принцип работы.....	4
1.3	Безопасность .....	5
1.3.1	Элемент системы безопасности: защита пальцев.....	5
1.3.2	Элемент системы безопасности: коленчатая ручка.....	5
1.3.3	Элементы системы безопасности: отопление.....	5
1.4	Нагрев.....	6
1.5	Опции.....	6

### 2 ТЕХНИЧЕСКАЯ ИНСТРУКЦИЯ ПО УСТАНОВКЕ

2.1	Табличка производителя.....	7
2.2	Установка.....	7
2.2.1	Перемещение и упаковка .....	7
2.2.2	Характеристики помещения.....	8
2.2.3	Установка .....	8
2.2.4	Выравнивание.....	9
2.2.5	Электрические подключения.....	10
2.2.6	Подключение отводов конденсата .....	11
2.2.7	Первоначальный запуск .....	12

### ИНСТРУКЦИЯ ПО ЭКСПЛУАТАЦИИ

3.1	Рекомендации по использованию.....	13
3.2	Описание панели управления.....	13
3.3	Выполнение цикла.....	14
3.4	Меню обслуживания.....	15
3.5	Меню статистики.....	16

### 4 ТЕХНИЧЕСКАЯ ИНСТРУКЦИЯ

4.1	Использование коленчатой ручки (в случае сбоя электропитания).....	17
4.2	Замена направляющих лент.....	18
4.3	Длительная остановка и парафинирование (кроме опции никелирования).....	18
4.4	Контроль и очистка контактных датчиков.....	19

### 5 СБОИ И ПРЕДУПРЕЖДАЮЩИЕ СИГНАЛЫ

5.1	Различные сбои.....	20
5.2	Список предупреждающих сигналов.....	21

### 6 ПРОФИЛАКТИЧЕСКОЕ ТЕХОБСЛУЖИВАНИЕ 22

### 7 КОМПОНОВОЧНЫЙ ЧЕРТЕЖ

7.1	Компоновочный чертеж.....	24
-----	---------------------------	----

## 1. ОБЩЕЕ ОПИСАНИЕ

### 1.1. Введение

Мы благодарим вас за доверие, оказанное нашей продукцией. Мы надеемся, что она отвечает вашими потребностям.

Гарантия не покрывает ущерб, нанесенный стеклянным элементам или расходные материалы (прокладки, ампулы, ткань и т. п.), ущерб изоляционным материалам и ущерб, вызванный неправильной установкой устройства или неправильной эксплуатацией, недостаточным обслуживанием или общим плохим состоянием.

Это устройство может быть изменено или модифицировано в соответствии с техническим прогрессом.

**ПРЕДУПРЕЖДЕНИЕ** Во избежание поражения электрическим током и травмирования при эксплуатации вашего устройства следуйте базовым мерам предосторожности, среди которых:

- 1- **ПРОЧТИТЕ** все инструкции перед использованием устройства и **ХРАНИТЕ ИХ** в легкодоступном месте для дальнейшего использования при возникновении любых сомнений.
- 2- Это устройство должно устанавливаться официальной или сертифицированной службой технической поддержки. Неправильная установка, регулировка или работа, а также несоответствующее обслуживание и неправильное перемещение устройства могут привести к повреждениям оборудования или травмам. Внимательно прочтите инструкции данного руководства перед вводом этого устройства в эксплуатацию. Вы найдете в них важную информацию по его установке.
- 3- Установка, эксплуатация, обслуживание и/или чистка, а также некорректное изменение устройства могут привести к ущербу для него и травмам для пользователей.
- 4- Несоблюдение указанных правил работы с устройством ведет к полной потере гарантии.
- 5- Отключите устройство при его поломке или неисправности.
- 6- **НЕ СУШИТЕ/ГЛАДЬТЕ** вещи, которые до этого были обработаны, вымыты, пропитаны или загрязнены бензином, растворителями для химчистки или иными горючими или взрывными веществами, которые могут загореться или взорваться.
- 7- **НЕ ДОБАВЛЯЙТЕ** бензин, растворители для химчистки или иные горючие вещества в воду для стирки. Они могут производить горючие или взрывоопасные испарения.
- 8- **НЕ ДОПУСКАЙТЕ**, чтобы дети играли в или на этом устройстве. Внимательно следите за детьми, когда они находятся рядом с работающей машиной.
- 9- Данное устройство не предназначено для использования лицами (включая детей) с ограниченными физическими, сенсорными или умственными способностями, а также лицами, не обладающими необходимым опытом и знаниями, без сопровождения или инструктирования по эксплуатации со стороны лиц, ответственных за их безопасность.
- 10- **Не устанавливайте и не храните устройство** в зоне действия погодных явлений.
- 11- **Не прикладывайте силу** к элементам управления.
- 12- Не ремонтируйте и не заменяйте какие-либо элементы этого устройства и не пытайтесь выполнить какое-либо техническое вмешательство, если иное не рекомендуется в инструкции по эксплуатации. В любом случае, всегда необходимо убедиться, что вы полностью правильно поняли инструкции и обладаете необходимыми возможностями для выполнения такой операции.
- 13- Не удаляйте никакие предохранительные элементы и не изменяйте никакие элементы стиральной машины. **НЕ УСТАНОВЛИВАЙТЕ** инородные предметы в машину.
- 14- Несоблюдение указаний, приведенных в инструкциях по эксплуатации, создает риск получения травм. Среди предупреждений об опасности невозможно упомянуть все возможные случаи и ситуации. **В целом**, меры предосторожности и внимание – это то, что должно сопровождать транспортировку, установку, эксплуатацию и обслуживание этой машины.
- 15- **НЕ** используйте машину, если какая-либо крышка или какой-либо защитный элемент неправильно расположены или закреплены.
- 16- Дистрибьютор (продавец) **ОБЯЗАТЕЛЬНО** должен правильно обучить пользователя при вводе машины в эксплуатацию.
- 17- Ежедневно чистите лоток загрузки и приемный лоток.
- 18- При необходимости эту документацию можно запросить в цифровом формате по следующему адресу [info.laundry@fagorprofessional.com](mailto:info.laundry@fagorprofessional.com) / [info@fagorprofessional.com](mailto:info@fagorprofessional.com)

## 1.2. Принцип работы

Этот тип оборудования предназначен для сушки и глажки только плоского белья, такого как простыни и скатерти.

При размещении белья на полке загрузки в передней части машины оно автоматически подается на цилиндр сушки-глажки с помощью лент загрузки.

Затем проход белья под прижимным валком, обернутым плисом, обеспечивает первую прокатку благодаря постоянному давлению, регулируемому автоматически в соответствии с толщиной белья, с помощью системы компенсирующих пружин.

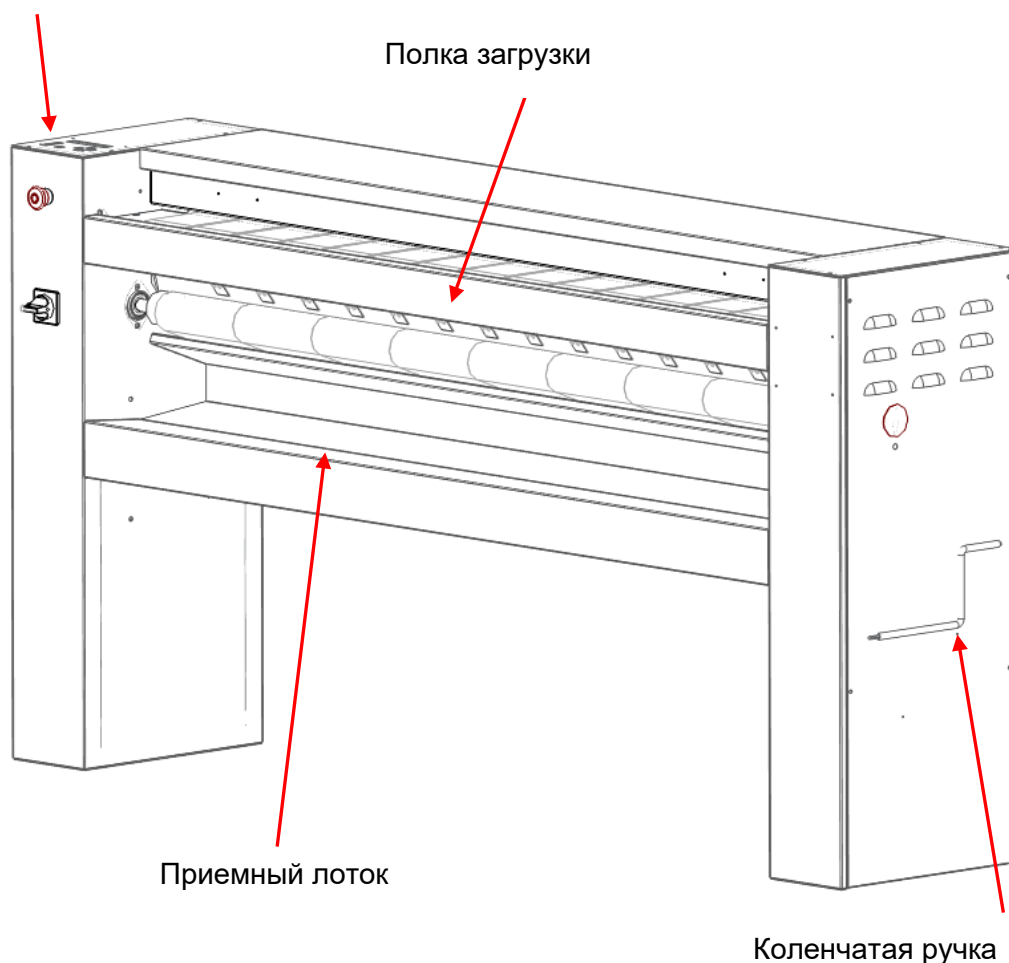
Сушка-глажка осуществляется лентами качества "Nomex" и нагреваемым цилиндром.

После высыхания и проглаживания белье автоматически направляется в приемный лоток металлическими пластинами, покрытыми тефлоном. Эти пластины оснащены на концах тефлоновыми башмаками, помогающими избежать появления следов на лентах.

Белье выходит сухим, глаженным и идеально расправленным – в отличном состоянии и с безупречным внешним видом.

Управление машиной осуществляется с помощью панели управления, позволяющей выбирать скорость и температуру, а также различные опции.

Панель управления



Тип машины	PS-20/140 M	PS-20/160 M	PS-20/200 M
Расчетная производительность (кг/ч)	10-12	13-15	19-21
Ø цилиндра (мм)	200	200	200
Полезная ширина (мм)	1400	1600	2000
Рабочая скорость (м/мин)	1,5-6	1,5-6	1,5-6
Высота загрузки в мм	990	990	990
Уровень звука (дБ)	63	63	63
Объем испарения (л/ч)	8-10	10-12	12-14

### 1.3. Безопасность

В дополнение к выключателю аварийной остановки, расположенному рядом с панелью управления, данная машина оснащена другими элементами системы безопасности, описанными ниже:

#### 1.3.1. Элемент системы безопасности: защита пальцев

Безопасность оператора обеспечивается пластиной (предохранительной планкой), расположенной непосредственно за полкой загрузки, что предотвращает чрезмерное проникновение рук оператора, а соответственно, и ожог или раздавливание пальцев. Легкий контакт с этой предохранительной пластиной вызывает немедленную остановку машины с отображением предупреждающего сигнала на панели управления. Эта планка может рассматриваться как основной элемент системы аварийной остановки машины (используется по всей длине).

Пространство между полкой загрузки и предохранительной планкой составляет 8 мм, это расстояние нельзя менять.

#### 1.3.2. Элемент системы безопасности: коленчатая ручка

При использовании коленчатой ручки (см. главу 4.1) необходимо снять красную пластинку с правой стороны, чтобы вставить ручку и вручную повернуть цилиндр (в случае отключения электропитания и высокой температуры машины). Это действие через систему безопасности немедленно останавливает машину и отображает предупреждающий сигнал на панели управления.

#### 1.3.3. Элементы системы безопасности: отопление

Машина оснащена защитным термостатом, размещенном на цилиндре (в одном из двух контактных датчиков), переключатель ручного сброса которого расположен внутри левой рамы и срабатывает, если температура цилиндра поднимается выше 205°C. При включении термостата отображается предупреждающий сигнал на панели управления. **НЕ ВЫПОЛНЯЙТЕ СБРОС ТЕРМОСТАТА**, если отображаемая температура превышает 150°C. Дождитесь охлаждения цилиндра.

В контактных датчиках также установлены два температурных зонда (один регулировочный, другой предохранительный), которые также отображают

предупреждающий сигнал, если один из двух датчиков выявляет температуру выше 205°C.

## 1.4. Нагрев

**Электрический нагрев:** обеспечивается экранированными спиралями (их количество зависит от типа машины), размещенными внутри цилиндра.

Тип машины	PS-20/140 M	PS-20/160 M	PS-20/200 M
Количество спиралей	3	3	3
Мощность спирали (КВт)	3,5	4	5
<b>ОБЩАЯ мощность (КВт)</b>	10,5	12	15

## 1.5. Опции

- **Напряжение:** В стандартной комплектации напряжение питания составляет 400 В 3Ф + 3 + N 50 Гц, по запросу возможны следующие варианты напряжения:
  - 230 В 3Ф + 3 50 Гц
  - 230 В 3Ф + 3 60 Гц
  - 440 В 3Ф + 3 50 Гц (напряжение мор/транспорта)
  - 440 В 3Ф + 3 60 Гц (напряжение мор/транспорта)

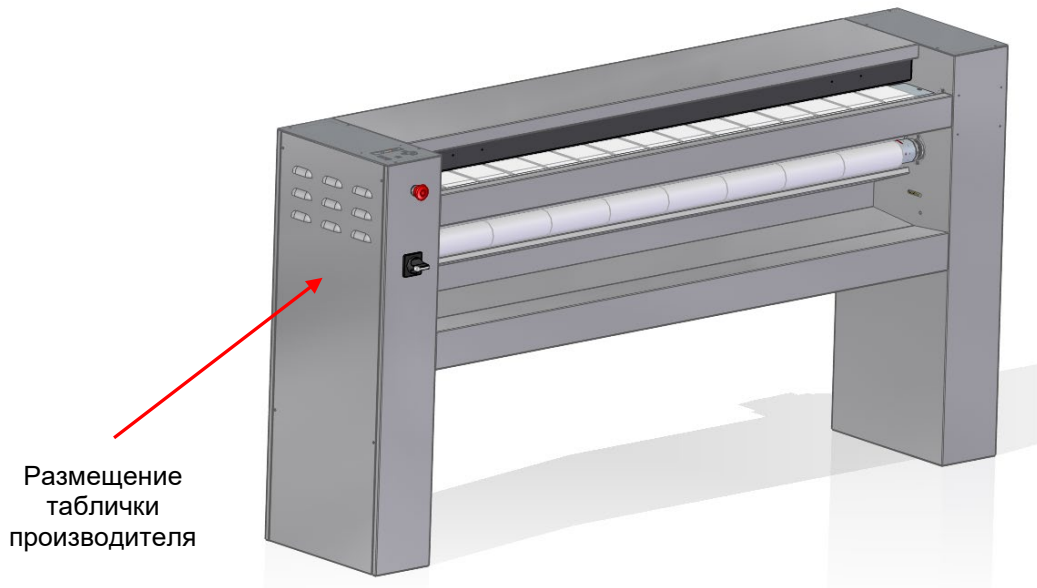


## 2. ТЕХНИЧЕСКАЯ ИНСТРУКЦИЯ ПО УСТАНОВКЕ

### 2.1. Табличка производителя

Табличка производителя этого устройства расположена на левой панели. Она указывает:

- тип оборудования и серийный номер;
- электрические характеристики (напряжение, мощности, защита);
- Общая мощность



### 2.2. Установка



**Внимание:** машина должна устанавливаться, настраиваться и вводиться в эксплуатацию только командой техников компании-производителя или техниками или продавцами, сертифицированными этой компанией.

Кроме того, присутствие клиента является весьма желательным, в частности для установки и во время первых проб.

Данное устройство должно устанавливаться в соответствии с действующими регламентами и нормами в чистом помещении с хорошей вентиляцией, где проводится уборка до, во время и после установки. Появляющиеся отходы должны быть удалены в соответствующие контейнеры.

#### 2.2.1. Перемещение и упаковка

При доставке машина должна находиться в идеальном состоянии, упаковка должна быть полной и не поврежденной. Соблюдайте указания, размещенные на коробке (например, "хрупкое", "верх", "низ", "боится дождя" и т.п.). Машина имеет довольно большой вес и значительные размеры (см. таблицу ниже), поэтому необходимо предусмотреть наличие средств подъема и перемещения, позволяющих работать в полной безопасности.

Машина должна перемещаться с помощью автопогрузчика достаточной грузоподъемности с максимально разведенными вилами, чтобы не допустить переворачивания.

Поскольку машина относительно длинная, ее очень часто приходится разгружать с борта грузовика с прицепом, имеющим боковое раскрытие (брезент).

Машина обязательно должна захватываться за ее центр (центр тяжести по оси).

Не переворачивайте и не роняйте машину, например, при разгрузке.

**Примечание:** при строповании (не прилагается и **настоятельно не рекомендуется**) перемещение осуществляется полностью под ответственностью перемещающего (**риск деформации машины**).

	РАЗМЕРЫ (мм)		ВЕС (КГ)		Объем (м3) уп.
	(ширина x глубина x высота)		без упаковки	с упаковкой	
	габариты	с упаковкой			
<b>PS-20/140 M</b>	1878x666x1110	2130x770x1400	180	220	2,3
<b>PS-20/160 M</b>	2128x666x1110	2340x770x1400	203	240	2,52
<b>PS-20/200 M</b>	2478x666x1110	2780x770x1400	237	275	3

### 2.2.2. Характеристики помещения

- Машина должна быть установлена в помещении с очень хорошей вентиляцией, правильным освещением и температурой от + 10°C до + 40°C (температурный предел для электронного частотного вариатора приводного двигателя).

- Для достижения оптимальной производительности машины необходимо обеспечить поступление наружного свежего воздуха как можно ближе к ней.

Сечение заборника свежего воздуха должно не менее чем в 4 раза превосходить сечение выпускной трубы (в зависимости от модели). Возможен вариант с двумя выпускными трубами.

**Примечание:** сечение заборника свежего воздуха должно быть эквивалентно сечению, через которое свежий воздух может перемещаться без препятствий из-за установленной на том же заборнике решетки. Следует учитывать, что часто прутья решетки занимают значительную часть ее сечения.

Для обеспечения надлежащей работы машины необходимо предусмотреть достаточное пространство вокруг нее:

- минимум 10 см сзади, включая .
- 60-80 см с каждой стороны для выполнения обслуживания;
- спереди должно оставаться свободным необходимое пространство, чтобы оператор мог правильно и безопасно выполнять свою работу.

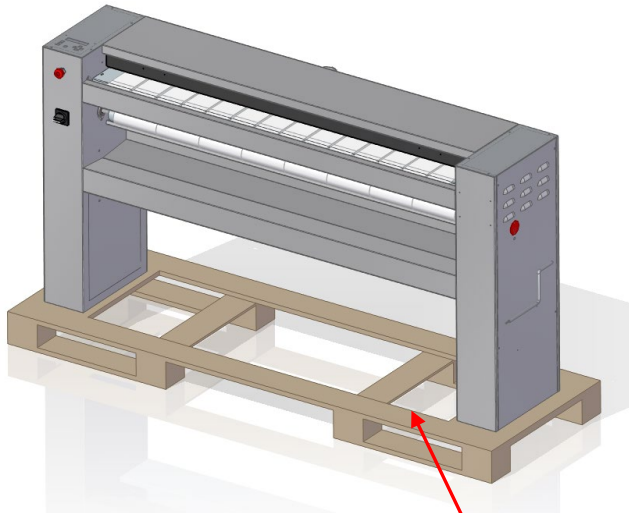
Необходима минимальная прочность пола для установки такой машины (см. таблицу ниже)

Тип машины	PS-20/140 M	PS-20/160 M	PS-20/200 M
Вес (кг)	180	203	237
Площадь части пола (м²)	1,25	1,4	1,65
Статическое усилие (даН/м²)	692	780	911

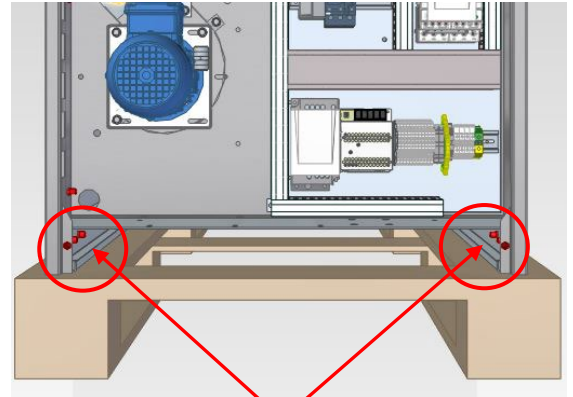
### 2.2.3. Установка

Перед снятием транспортировочных элементов (поддона и опор) переместите машину как можно ближе к месту ее окончательной установки.

Сушильно-гладильная машина поставляется на поддоне, который крепится к ее 4 углам 4 винтами. Для доступа к винтам и их извлечения необходимо снять боковые панели.



Поддон



Положение винтов  
(если смотреть с  
левой стороны)

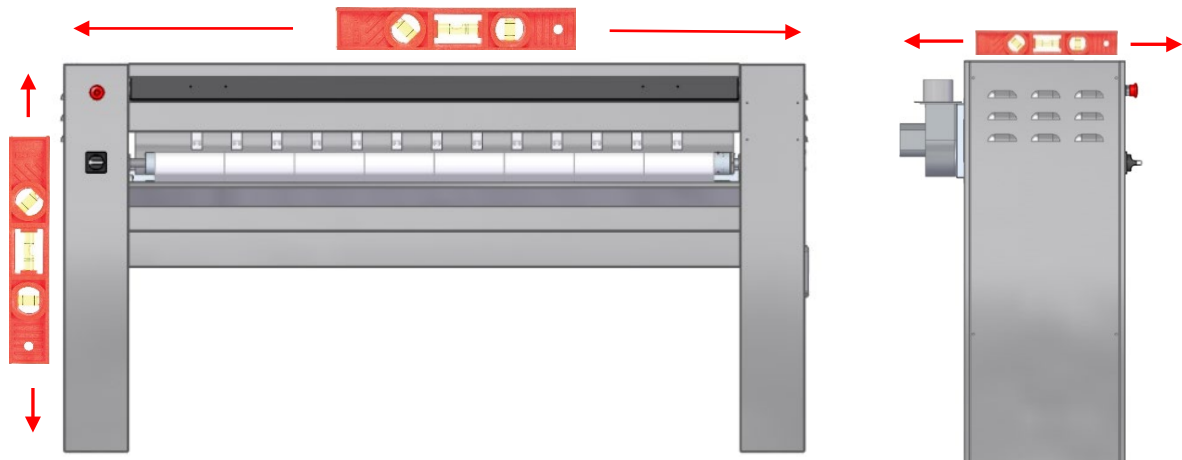
После снятия 4 винтов извлеките поддон и осторожно поставьте машину на пол.

### 2.2.4 Выравнивание



**Точное выравнивание машины по горизонтали и вертикали является обязательным условием ее правильной работы.**

При необходимости установите под машину клинья.



Неправильное выравнивание повлечет за собой образование боковых сил смещения (слева или справа), действующих на гладильные ленты, значительно увеличивая их износ.

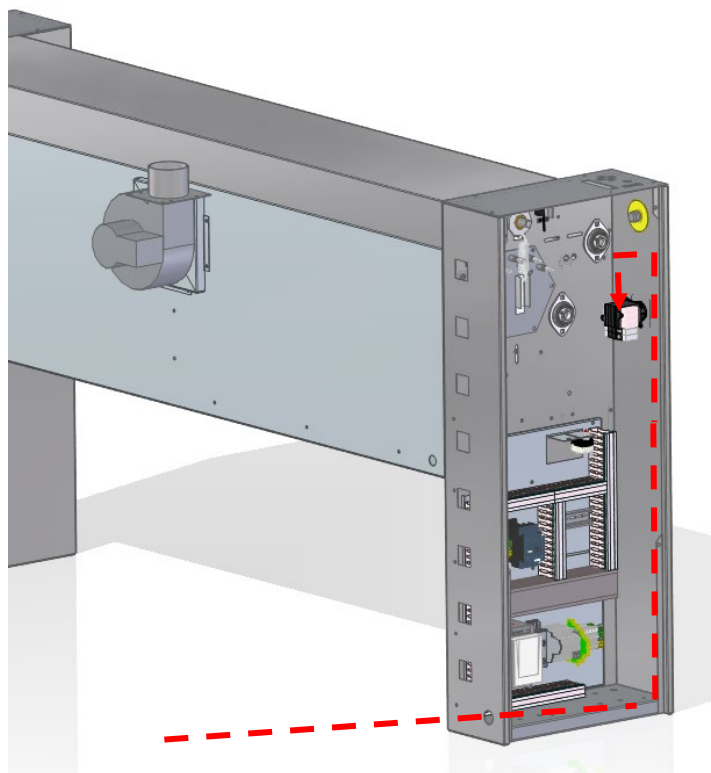
### 2.2.5 Электрические подключения

Электрический кабель питания не входит в комплект.

Машина должна быть подключена к электрической сети с помощью кабеля с характеристиками, указанными в таблице ниже, и защищена **дифференциальным автоматом 300 мА или 30 мА SI (сверхустойчивый)**. Электрический кабель не должен быть подключен к розетке, и необходимо предусмотреть не менее 50 см запаса кабеля в машине для его подключения напрямую к выключателю в машине. Максимальное расстояние между соединением с выключателем и защитным устройством (размыкатель) должно составлять 3 метра.

Электрический монтаж должен выполняться в соответствии с действующими нормами. Убедитесь в том, что напряжение питания соответствует техническим данным, указанным на табличке производителя, расположенной на тыльной стороне машины (см. раздел 2.1).

**Заземление является обязательным для обеспечения безопасности пользователей и надлежащей работы машины.**



Электрический кабель должен быть подключен к выключателю в левой раме. Кабель питания должен проходить по тыльной части машины через одно из отверстий в раме, как показано выше.

<b>Электрические характеристики</b>				
		<b>PS-20/140 M</b>	<b>PS-20/160 M</b>	<b>PS-20/200 M</b>
Мощность двигателя (кВт)		0,37	0,37	0,37
Мощность нагрева (кВт)		10,5	12	18
Общая мощность (кВт)		10,87	12,37	18,37
Напряжение питания				
Защита (А)	400 В 3Ф + Н + 3	20	20	32
	230 В 3Ф + 3	32	40	50
Сечение кабеля (мм <sup>2</sup> )	400 В 3Ф + Н + 3	5G4мм <sup>2</sup>	5G4мм <sup>2</sup>	5G6мм <sup>2</sup>
	230 В 3Ф + 3	4G6мм <sup>2</sup>	4G10мм <sup>2</sup>	4G10мм <sup>2</sup>

### 2.2.6 Подсоединение отвода конденсата

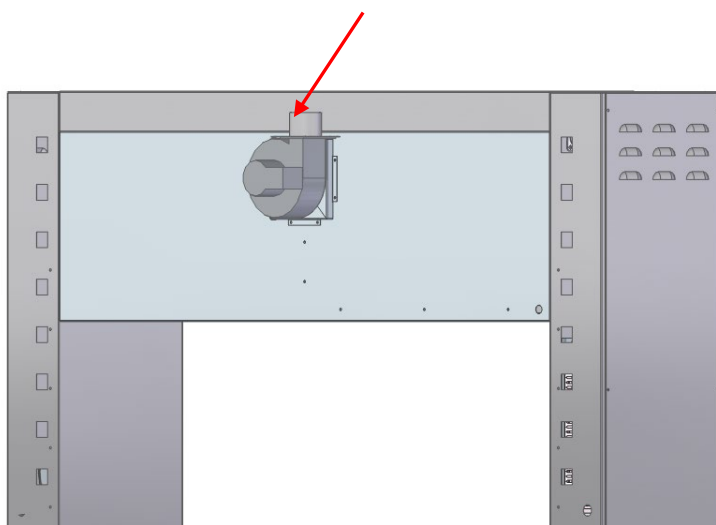
Отвод конденсата наружу является **обязательным** (отводной трубопровод не входит в комплект поставки). Вытяжной воздух должен отводиться из рабочего помещения и никогда не должен смешиваться с потоками других отводов, которые уже используются для вытяжки дыма из другого оборудования.

Расположение этих каналов должно находиться в пределах, установленных законодательством об охране окружающей среды от воздействия тепловой энергии. Используемый трубопровод должен быть жестким, металлическим, термостойким (150°C) и никогда не должен проходить слишком близко к легковоспламеняющимся материалам или материалам, которые могут быть деформированы под воздействием избыточной температуры.

Внутренняя поверхность трубопровода должна быть гладкой, чтобы не создавать препятствий воздушному потоку и не содержать элементов, на которых могут накапливаться ворсинки (винты, заклепки и т. п.).

Рекомендуется предусмотреть наличие в трубопроводе люков доступа для облегчения его периодической очистки.

Место подключения отвода конденсата **Ø83 мм** (сверху)



Выходной трубопровод должен быть максимально коротким. Его длина не должна **превышать 5 метров**, он не должен иметь более **2 изгибов на 90°**, но должен иметь наклон в 2% наружу в горизонтальных сечениях, чтобы не допускать слива конденсата обратно в машину, а также должен быть оснащен обратным клапаном.

- Если отводной канал должен иметь длину более 5 метров и более 2 колен, рекомендуется увеличить его диаметр или добавить в него вытяжной двигатель.

Определение размеров этого вытяжного двигателя должно выполняться организацией, специализирующейся на воздушных процессах, в соответствии со следующими указаниями:

- Мощность вентиляционного двигателя:	0,09 кВт
- Расход по отводному каналу:	300 м <sup>3</sup> /ч
- Падение давления на выходе вентилятора:	30 Па

### **2.2.7 Первый запуск**

После того, как машина будет установлена в соответствии с рекомендациями данного руководства (выравнивание, электрические подключения), начните работу сушильно-гладильной машины:

- Переведите выключатель на тыльной части машины слева, в положение 1.
- Убедитесь в том, что кнопка аварийной остановки не активирована
- Нажмите кнопку START, чтобы удалить парафиновую бумагу, обернутую вокруг цилиндра.
- Убедитесь в том, что контактные датчики находятся в правильном положении до и сразу после 1<sup>го</sup> запуска машины, так как они могут неправильно располагаться из-за парафина, используемого производителем для защиты цилиндра от коррозии (см. главу 4.4).
- Проверьте правильность работы машины (при наличии отклонений см. раздел 5).
- Проведите обучение использованию машины для обслуживающего персонала, как указано в разделе 3.



## 3 ИНСТРУКЦИЯ ПО ЭКСПЛУАТАЦИИ

### 3.1 Рекомендации по эксплуатации

Сушильно-гладильная машина оснащена панелью управления, которая позволяет, среди прочего, регулировать температуру и скорость цилиндра, которые должны изменяться в соответствии с типом белья, подлежащего сушке и глажке.

Эти два параметра (температура и скорость) должны быть меняются пользователем в соответствии с типом плоского белья, подлежащего сушке и глажке. Если белье на выходе все еще влажное, необходимо повысить температуру и/или снизить скорость. И наоборот, уменьшите температуру и/или скорость, если белье выходит очень жестким или слегка пожелтевшим (признаки перегрева).

Относительная влажность белья должна составлять **25-50%**.

Максимальная регулируемая температура составляет 180°C.

Загрузите вещь для глажки в машину, положив ее на полку загрузки (при правильном укладывании вещи, если она расправлена и разглажена, достигается наилучший результат глажки).

Крупные вещи загружаются в машину вдвоем, стоя перед ней. Каждый человек должен держать один конец ткани и одновременно вместе загружать его.

Высота загрузки и наклона полки загрузки обеспечивает необходимый уровень удобства работы с машиной и исключает проблемы для опорно-двигательного аппарата оператора, работающего на этом месте.

Белье автоматически подается для сушки и глажки и может быть извлечено в приемный лоток или передано для выдачи спереди или сзади в случае, если машина оснащена укладчиком.

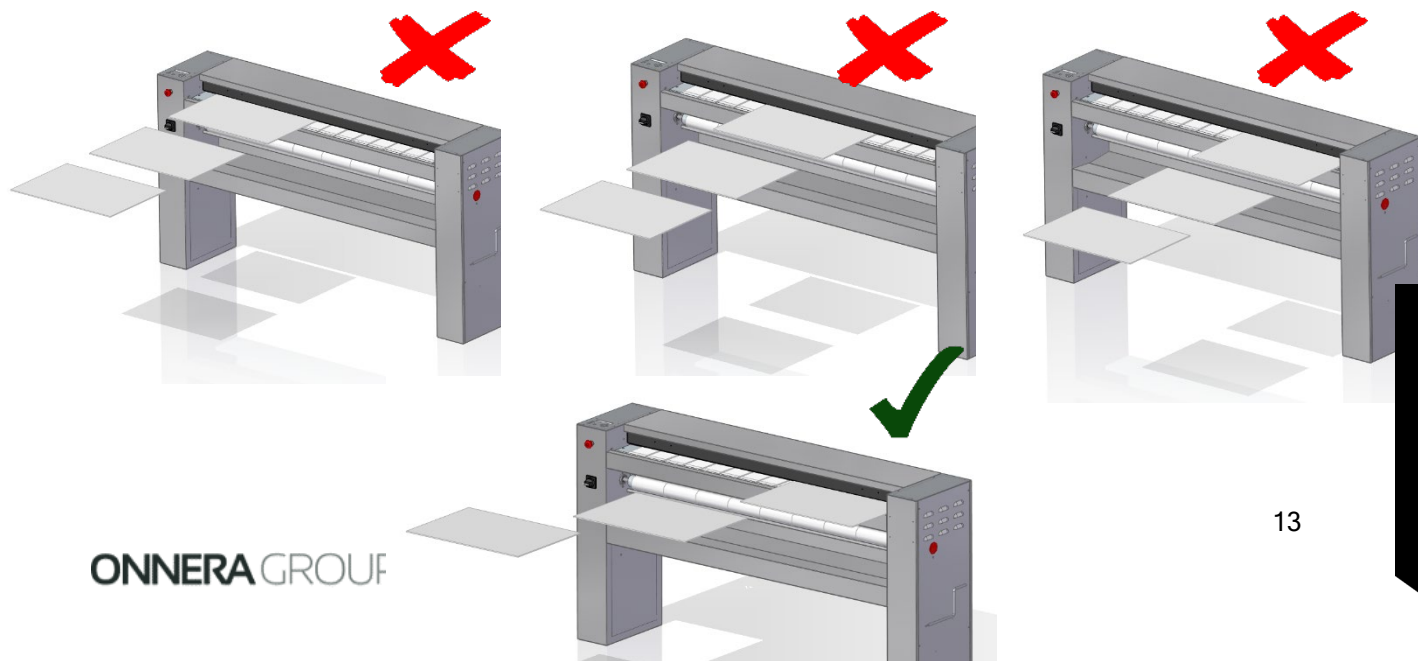
Машина может иметь опцию (автоматический режим), которая позволяет автоматически регулировать скорость цилиндра в соответствии с измеренной остаточной влажностью белья.

Белье должно быть плоским (без пуговиц, застежек, защелок, петель и т. п.), не должно складываться перед загрузкой в машину для обеспечения оптимального качества, и его толщина не должна превышать 8 мм.

Для того чтобы максимально ограничить инерцию нагрева, рекомендуется начинать работу, когда температура немного ниже установленной.

Если перерыв в работе длится более 15 минут, рекомендуется нажать STOP, чтобы перевести машину в фазу охлаждения и тем самым ограничить неэффективное потребление энергии. Нажмите START снова, чтобы возобновить работу и перезапустить нагрев машины.

При глажке небольших элементов плоского белья необходимо последовательно работать по всей длине для получения равномерного результата и продления срока службы лент глажки, которые могут быстро терять свои свойства.



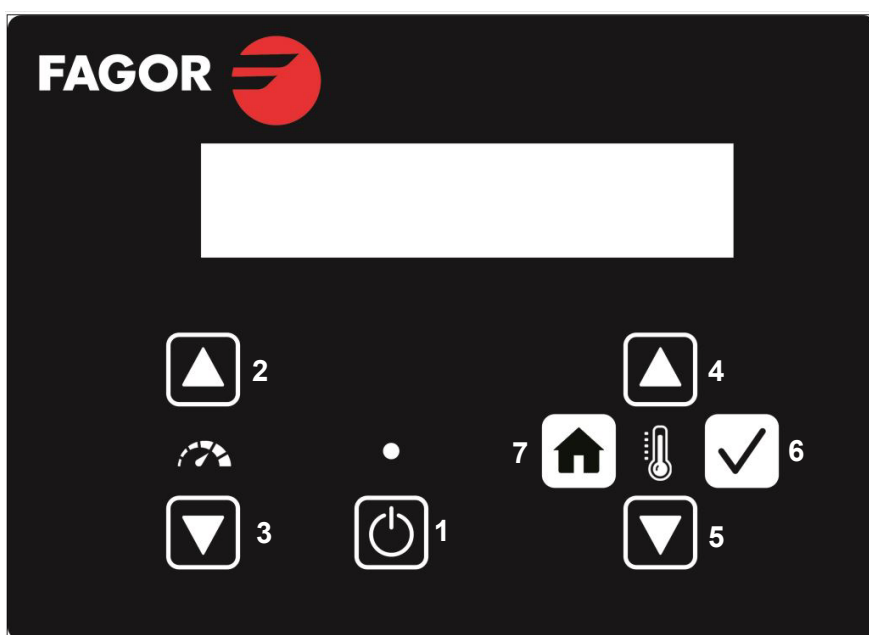




**ВАЖНО:** Машину нельзя останавливать при высокой температуре. Нажмите кнопку «START- STOP» (1) для перехода в фазу охлаждения, и она остановится автоматически, когда температура достигнет **80°C**. Не останавливайте машину нажатием кнопки аварийной остановки (она должна использоваться только в случае крайней необходимости).

### 3.2 Описание панели управления

Подключите электрическое питание машины с помощью общего рубильника (находится на тыльной части машины справа) (аварийная остановка не должна быть активирована). При запуске и затем в течение нескольких секунд на экране отображается версия микропроцессора, а затем появляется надпись «PRESS START».



- 1- Кнопка «START-STOP» (ЗАПУСК-СТОП)
- 2- Увеличение скорости глажки
- 3- Уменьшение скорости глажки
- 4- Увеличение температуры
- 5- Уменьшение температуры
- 6- Кнопка подтверждения
- 7- Кнопка для доступа к меню обслуживания (зарезервирована для технического отдела)

### 3.3 Выполнение цикла

При прямом нажатии кнопки «START-STOP» (ЗАПУСК-СТОП) сушильно-гладильная машина запускается со скоростью и температурой последнего выполненного цикла.

Обратите внимание, что при запуске машина предварительно нагревается до 130°C (изменяемый параметр) на пониженной скорости (3 м/мин), и скорость не может быть изменена в течение этой фазы.

Кроме того, у машин с электрическим нагревом вентиляционные двигатели включаются только при достижении половины заданной температуры.

Во время работы на экране отображается фактическая температура цилиндра и скорость его вращения (экран выполнения). Эти параметры можно изменить с помощью соответствующих кнопок.

При нажатии одной из двух кнопок регулировки скорости (2 и 3) скорость изменяется от 0,5 на 0,5 м/мин до 1,5 на 6 м/мин.

При нажатии одной из двух кнопок установки температуры (4 и 5) на экране появится надпись «TEMPERATURE SET» и заданная температура, которую можно регулировать в диапазоне от 1°C до 180°C. После настройки заданной температуры нажмите кнопку подтверждения (6), чтобы подтвердить заданную температуру и вернуться к экрану выполнения.

При остановленном устройстве вы можете выбрать режим работы, нажимая на стрелки регулировки температуры (4 и 5):

- **Ручной режим:** оператор сам устанавливает скорость глажки
- **Автоматический режим:** скорость меняется в зависимости от изменения температуры (например, в зависимости от нагрузки, скорость снижается, если температура быстро падает).

При нажатии кнопки STOP программа переходит в фазу охлаждения (если температура цилиндра выше 80°C), и машина автоматически останавливается, когда температура достигает 80°C.

В фазе охлаждения вы можете в любой момент выполнить перезапуск.

Если температура цилиндра ниже 80°C, при нажатии кнопки «START-STOP» (1) машина мгновенно останавливается без запуска фазы охлаждения.

### **3.4 Меню обслуживания**

Меню обслуживания позволяет настроить определенные параметры, связанные с работой машины.

Для того чтобы войти в это меню при остановленной машине, нажмите кнопку доступа к меню обслуживания (7), чтобы на экране появилась надпись «ENTER CODE - 0000». Введите код «1111», используя кнопки «увеличения температуры» (4) для выбора 1-й цифры (от 0 до 9) и «кнопку подтверждения» (6) для подтверждения и перехода ко 2-й цифре и так далее.

#### **Список параметров:**

Значения можно изменить с помощью кнопок 4 и 5 и подтвердить нажатием кнопки подтверждения (6).

- **МАКСИМАЛЬНАЯ ТЕМПЕРАТУРА (MAX TEMP):** Максимальная заданная температура, соответствующая максимальной заданной температуре, настраиваемой пользователем. Регулируется от 100°C до 180°C (значение по умолчанию = 180°C)
- **ПРЕДВАРИТЕЛЬНЫЙ НАГРЕВ (PREHEATING):** Температура предварительного нагрева регулируется от 20°C до 180°C (значение по умолчанию = 130°C).
- **ТЕМПЕРАТУРА ОХЛАЖДЕНИЯ (COOL DOWN TEMP):** Температура охлаждения, при которой машина автоматически останавливается. Регулируется от 60°C до 105°C (значение по умолчанию = 80°C)

- **ПРОФИЛАКТИЧЕСКОЕ ОБСЛУЖИВАНИЕ (PREVENTIVE MAINTENANCE)**: Вы можете запрограммировать время в часах, и по достижении этого времени работы при каждом включении машины будет появляться сообщение (значение по умолчанию = 0, без сообщения) для планирования полного технического обслуживания машины (см. главу 6).

Это сообщение можно сбросить в меню статистики (см. главу 3.5).

### **3.5 Меню статистики**

Меню статистики позволяет просматривать некоторые статистические данные машины и сбрасывать счетчик обслуживания.

Для того чтобы войти в это меню при остановленной машине, нажмите кнопку доступа к меню обслуживания (7), чтобы на экране появилась надпись «ENTER CODE - 0000». Введите код «1234», используя кнопки «увеличения температуры» (4) для выбора 1-й цифры (от 0 до 9) и «кнопку подтверждения» (6) для подтверждения и перехода ко 2-й цифре и так далее.

- **ОБЩЕЕ ВРЕМЯ (TOTAL TIME)**: Соответствует времени, в часах, в течение которого машина включена.

- **ВРЕМЯ РАБОТЫ (RUN TIME)**: Время работы машины в часах.

- **ВРЕМЯ НАГРЕВА (HEAT TIME)**: Соответствует времени в часах, в течение которого машина находится в фазе нагрева.

- **ПЕРИОД ПРОФИЛАКТИЧЕСКОГО ОБСЛУЖИВАНИЯ (PREVENTIVE HOURS)**: Соответствует времени в часах с момента профилактического обслуживания, запрограммированного в меню обслуживания (см. главу 3.4).

- **СБРОС СЧЕТЧИКА M (RESET COUNTER M)**: Позволяет сбросить статистику «PREVENTIVE HOURS», выбрав «YES» с помощью кнопок 4 и 5, подтвердить нажатием 6 и таким образом удалить сообщение о профилактическом обслуживании («PREV MAINTENANCE»), которое появляется при каждом запуске при достижении количества часов, определенного в меню обслуживания (см. главу 3.4).

## 4 ТЕХНИЧЕСКАЯ ИНСТРУКЦИЯ

### 4.1 Использование коленчатой ручки (в случае сбоя электропитания)



При сбое электропитания или неисправности оборудования (остановка машины с горячим цилиндром) необходимо немедленно изолировать гладильные ленты от цилиндра.

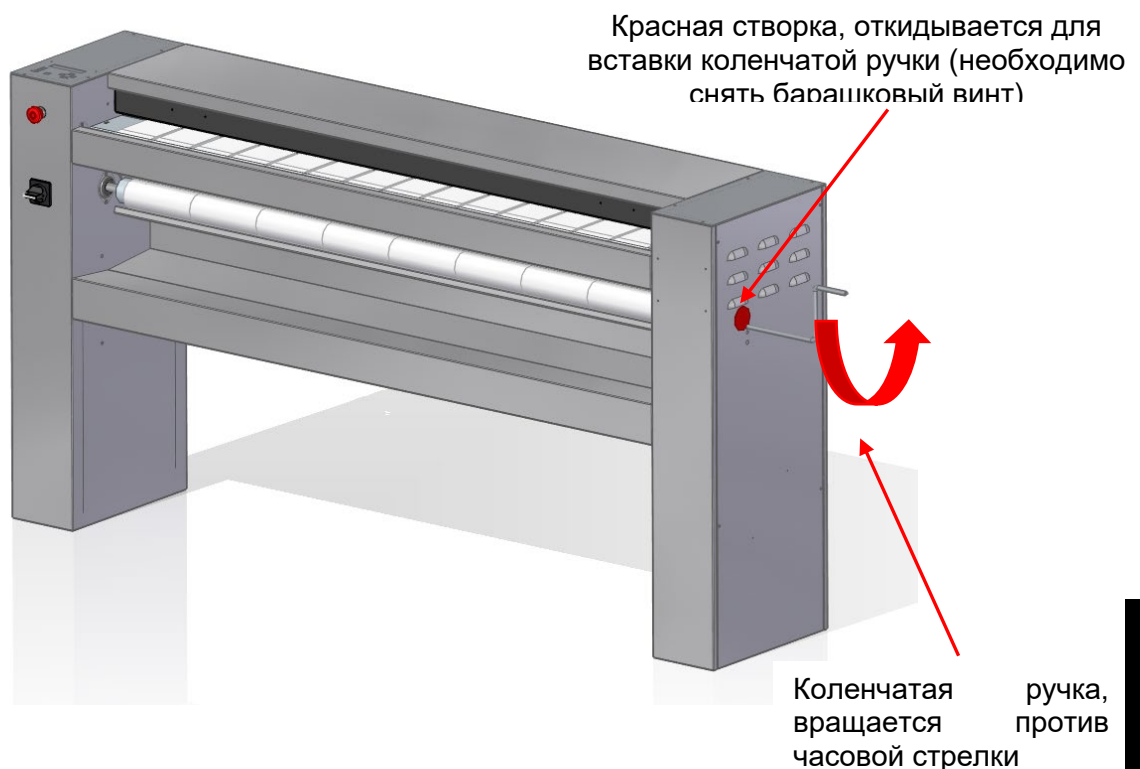
Для этого вставьте в машину толстую, очень влажную (едва отжатую) холстину нужного размера, управляя ею с помощью предусмотренной для этого коленчатой ручки (коленчатая ручка должна быть постоянно доступна, изначально она расположена на правой боковой панели машины).

Вставьте коленчатую ручку в отверстие в правой панели машины, предварительно откинув красную заслонку вверх (и вставить коленчатую ручку, как указано ниже). Когда красная заслонка откинута вверх, машина не может запуститься, и при нажатии на START- START появляется предупреждающий сигнал (Сигнал 2).

Поворачивайте коленчатую ручку против часовой стрелки до тех пор, пока холстина не пройдет через машину несколько раз и не обеспечит охлаждение и защиту цилиндра и лент.

Для выполнения этой операции в аварийной ситуации требуется как минимум два человека: один или два человека для загрузки белья и еще один для проворачивания ручки.

При снятии рукоятки заслонка опускается в исходное положение и активирует предохранительный контакт, который позволяет запустить машину.

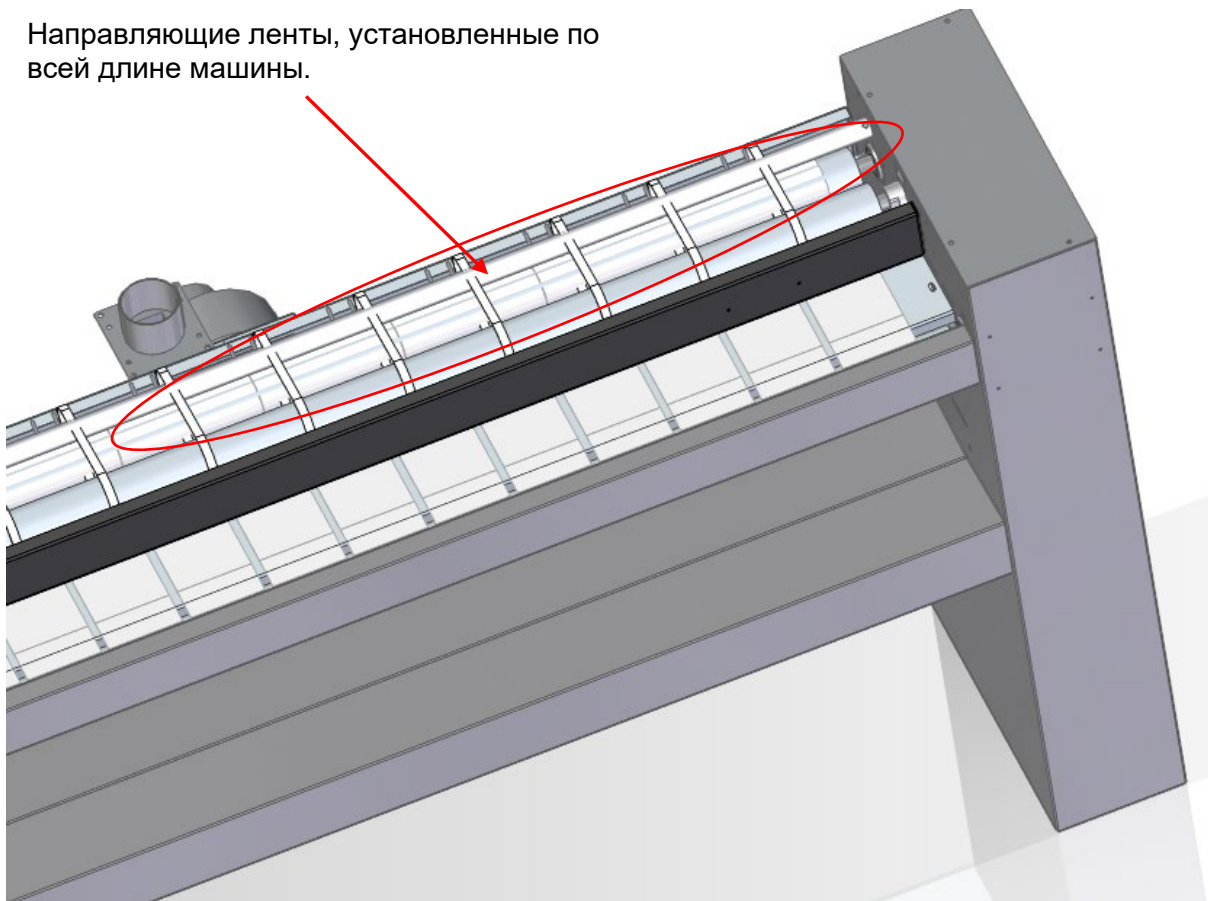


## 4.2 Замена направляющих лент

Направляющие ленты предотвращают наматывание белья на прижимной валок, поэтому необходимо регулярно проверять их полную комплектность. Они обязательно должны быть на месте.

Артикул направляющих лент: 12156329 (поставляется метражом).

Направляющие ленты, установленные по всей длине машины.



Для доступа к направляющим лентам снимите верхние панели.

Ленты должны быть закреплены с помощью скоб из нержавеющей стали и не должны быть завязаны на узел (это может оставлять следы на вещах). Они не должны быть сильно натянутыми, а оставаться слегка эластичными, так как под воздействием тепла лента укорачивается и может быстро порваться. Не растягивайте их – это приведет к их преждевременному разрыву.

## 4.3 Длительная остановка и парафинирование

Для предотвращения коррозии цилиндра, особенно в случае длительного неиспользования (более 1 недели), необходимо нанести на цилиндр парафиновое покрытие. Для этого выполните следующие действия:

- Машина в состоянии покоя, цилиндр слегка нагрет (от 110°C до 100°C на этапе регулировки или охлаждения)
- Поднимите верхние панели.
- Проверните цилиндр на пониженной скорости.

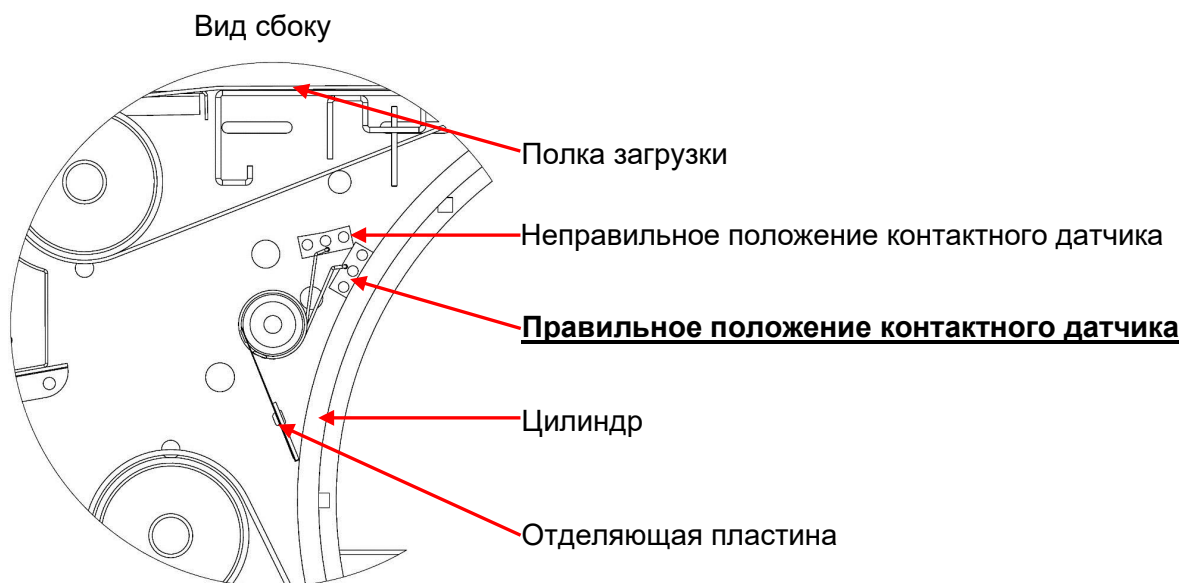
- Покройте поверхность цилиндра парафином, выполнив несколько последовательных проходов таким образом, чтобы покрыть всю поверхность цилиндра.
- Затем намотайте вокруг цилиндра плоское белье и оставьте на время длительной остановки.

Артикул парафинового блока: 12156317

При запуске машины после длительной остановки парафин испарится естественным образом под воздействием высокой температуры. Тем не менее, перед началом нормального рабочего цикла желательно пропустить через машину несколько единиц изношенного плоского белья, чтобы удалить весь парафин.

#### **4.4 Контроль и очистка контактных датчиков**

Машина оснащена 2 контактными датчиками, закрепленными на цилиндре и расположенными под полкой загрузки. В этих датчиках установлены 2 температурных зонда и защитный термостат, позволяющие регулировать и фиксировать температуру цилиндра. Перед каждым запуском (холодная машина) необходимо проверять правильность положения контактных датчиков и регулярно очищать их (ворс с белья) (см. раздел 6).





## 5 СБОИ И ПРЕДУПРЕЖДАЮЩИЕ СИГНАЛЫ

### 5.1 Различные сбои

Машина оснащена микропроцессором, который подает предупреждающие сигналы, подробно описанные ниже, сообщающие пользователю о различных проблемах в работе или безопасности, или информационные предупреждающие сигналы. Однако возможны сбои, при которых предупреждающий сигнал на экране отсутствует, в том числе:

СБОИ	ПРОВЕРКИ
Экран не горит	Убедитесь в том, что выключатель находится в положении "I"
	Убедитесь в том, что на машину подается электрическое напряжение
	Убедитесь в том, что аварийная остановка не активирована
	Проверьте предохранитель контура управления F1
Цилиндр вращается медленно	Должна быть достигнута температура предварительного нагрева 130°C
Температура цилиндра не повышается	Проверьте предохранительный термостат с ручным сбросом, расположенный на левой раме машины. Если он включен, не сбрасывайте его, если температура цилиндра выше 150°C
Температура цилиндра очень высокая и не соответствует температуре, отображаемой на экране	Убедитесь в том, что контактные датчики чистые и находятся в правильном положении
Плохое качество глажки	Проверьте натяжение и/или износ гладильных лент. При необходимости замените их.
	Проверьте состояние плеча прижимного вала и при необходимости замените его
	Проверьте натяжение и/или износ лент загрузки. При необходимости замените их
	Температура и/или скорость не соответствуют типу белья
Машина перегревается с одной стороны (ленты становятся темнее, чем с другой стороны)	Убедитесь в равномерности распределения белья по всей рабочей длине цилиндра (см. раздел 3.1)
После сушки/глажки на выходе из машины белье подвергается воздействию статического электричества и "прилипает" к гладильным лентам	Во время цикла стирки в последнем полоскании добавьте смягчитель воды с антистатическими свойствами и/или снизьте pH воды при последнем полоскании до 5.
Белье выходит пожелтевшим	Белье плохо прополоснено (остатки моющих средств), или температура цилиндра слишком высокая.
Цилиндр белеет	Вода, используемая для стирки белья, имеет высокую жесткость (уменьшите ее до 14)



## 5.2 Список предупреждающих сигналов

СИГНАЛ	ОПИСАНИЕ	ПРИЧИНА/РЕШЕНИЕ
СИГНАЛ 1	Предохранительное устройство полки (защита пальцев)	Сработало предохранительное устройство полки (защита пальцев). Если проблема сохраняется, проверьте электрические контакты предохранительного устройства полки в левой и правой рамах.
СИГНАЛ 2	Элемент системы безопасности: коленчатая ручка	Сработало предохранительное устройство коленчатой ручки, красная пластина находится в неправильном положении. Если проблема сохраняется, проверьте электрический контакт в правой раме.
СИГНАЛ 6	Неисправность вариатора	Неисправен вариатор двигателя цилиндра (отображается на экране вариатора). Проверьте приводной двигатель, проводку вариатора/двигателя, напряжение питания вариатора и т.д.
СИГНАЛ 7	Ошибка температурного зонда NTC1 (регулировка)	Температурный зонд NTC1 отключен или неисправен.
СИГНАЛ 8	Профилактическое обслуживание	Это сообщение появляется при достижении количества часов, заданного в меню обслуживания. Оно предупреждает о необходимости проведения профилактического техобслуживания машины (см. главу 3.4 и 3.5).
СИГНАЛ 9	Ошибка связи CAN	Связь между платой экрана (A13) и платой реле (A10) прервана или неисправна.
СИГНАЛ 10	Ошибка нагрева	Заданная температура не была достигнута после 90 минут работы.
СИГНАЛ 12	Перегрев (защитный термостат)	Из-за перегрева сработал предохранительный термостат. Он сбрасывается вручную и расположен в левой рамке.

Если один из сигналов не исчезает, свяжитесь с техническим отделом продавца оборудования.

## 6 ПРОФИЛАКТИЧЕСКОЕ ТЕХОБСЛУЖИВАНИЕ

Любые операции по техобслуживанию должны выполняться квалифицированными персоналом.

**ПЕРЕД ПРОВЕДЕНИЕМ ЛЮБЫХ ТЕХНИЧЕСКИХ РАБОТ ОТКЛЮЧАЙТЕ ЭЛЕКТРОПИТАНИЕ МАШИНЫ С ПОМОЩЬЮ ВЫКЛЮЧАТЕЛЯ УСТАНОВКИ И ПРОВЕРЯЙТЕ ОТСУТСТВИЕ НАПРЯЖЕНИЯ.**

**ВНИМАНИЕ: ЕСЛИ ОБСЛУЖИВАНИЕ ПРОВОДИТСЯ СРАЗУ ПОСЛЕ ВЫПОЛНЕНИЯ РАБОТЫ, НЕКОТОРЫЕ ЧАСТИ МАШИНЫ МОГУТ ОСТАВАТЬСЯ ОЧЕНЬ ГОРЯЧИМИ, ЧТО НЕСЕТ В СЕБЕ РИСК ПОЛУЧЕНИЯ ОЖОГОВ.**

**ВО ВРЕМЯ ПРОВЕДЕНИЯ ОПЕРАЦИЙ ПО ОБСЛУЖИВАНИЮ ОБОРУДОВАНИЯ НЕОБХОДИМО ПОЛЬЗОВАТЬСЯ СООТВЕТСТВУЮЩИМИ СРЕДСТВАМИ ИНДИВИДУАЛЬНОЙ ЗАЩИТЫ (перчатки, тестер напряжения и т.п.)**

Предохранительные элементы не должны сниматься (даже на время) или модифицироваться. При наличии сомнений свяжитесь с техническим отделом продавца оборудования, сообщив ему модель и серийный номер машины.

### НИКОГДА НЕ ОПРЫСКИВАЙТЕ МАШИНУ ВОДОЙ

В меню обслуживания можно запрограммировать сигнал, предупреждающий о необходимости проведения профилактического техобслуживания (см. раздел 3.4). Этот предупреждающий сигнал программируется в зависимости от количества часов работы, поэтому после запрограммированного количества часов работы при каждом включении машины на дисплее будет появляться предупреждающий сигнал, до тех пор пока не будет задана новая программа обслуживания или пока предупреждающий сигнал не будет отключен.

Ниже приведена таблица с кратким описанием необходимого профилактического техобслуживания с указанием периодичности его проведения:

Точки контроля и обслуживания	Периодичность (часы)
Проверка всех предохранительных устройств машины: Аварийная остановка, предохранительное устройство полки, предохранительное устройство коленчатой ручки, предохранительный термостат, заземление (электрическая машина).	500
Общая чистка: внутри, в рамах (ворс и смазка), вентиляционная турбина, отделяющие пластины, контактные датчики, трубки реле давления	
Проверка состояния и положения контактных датчиков (см. раздел 4.5)	
Замена комплекта направляющих лент (см. раздел 4.3)	
Проверка и затяжка электрических соединений выключателя, нагревательного контактора и спиралей	

Точки контроля и обслуживания	Периодичность (часы)
Проверка натяжения приводной цепи (большой) и нанесение тонкого слоя жидкой смазки на приводную цепь (большую), цепь прижимного вала (маленькую) и шестеренки (см. данные по цепям ниже)	1000
Визуальная проверка состояния гладильных лент, лент загрузки, плица прижимного вала и конвейерных лент укладчика с целью их своевременной замены	
Проверка натяжения гладильных лент, лент загрузки, плица прижимного вала и конвейерных лент укладчика. Регулировка натяжения должна быть одинаковой с обеих сторон.	
Визуальная проверка состояния боковых роликов (x2) с целью их своевременной замены.	
Очистка отводного трубопровода	

**ПРИМЕЧАНИЕ:** Периодичность определена на основе 40-часовой рабочей недели, 2000 часов соответствуют приблизительно одному году.

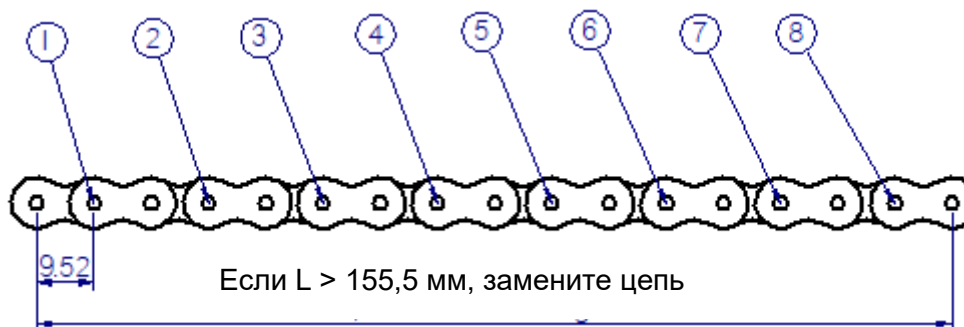
Цепи оснащены карабин-рапидом для облегчения демонтажа.

Цепь приводного блока (большого) натягивается автоматически с помощью натяжной шестеренки, которая должна быть отвинчена для снятия цепи и привинчена для повторного монтажа.

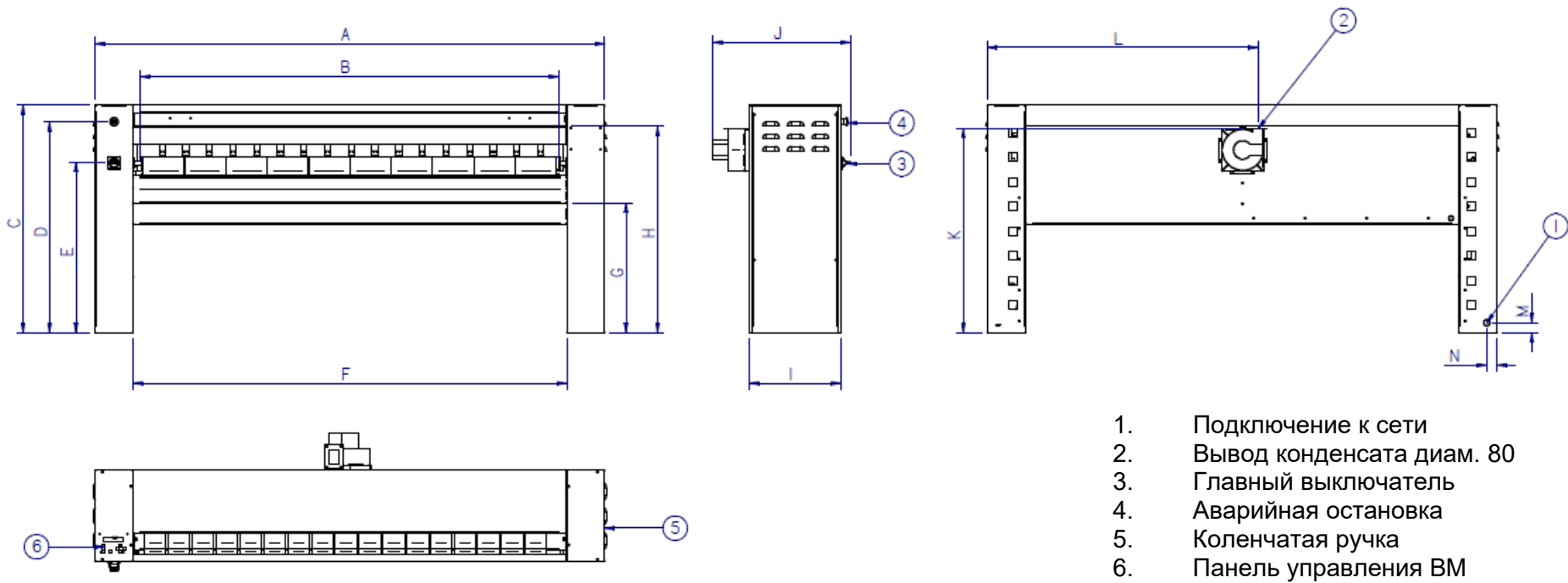
Приводная цепь блока прижимного элемента (малого) умышленно не натянута.

Ниже приведены указания, позволяющие определить степень износа цепей и необходимость их замены:

#### **Малые и большие приводные цепи (шаг = 9,52 мм)**



## 7. КОМПОНОВОЧНЫЕ ЧЕРТЕЖИ



1. Подключение к сети
2. Вывод конденсата диам. 80
3. Главный выключатель
4. Аварийная остановка
5. Коленчатая ручка
6. Панель управления ВМ

Тип	A	B	C	D	E	F	G	H	I	J	K	L	M	N
<b>PS-20/140 M</b>	1878	1470	1110	1028	830	1510	631	1006	444	666	995	1016	50	50
<b>PS-20/160 M</b>	2128	1720	1110	1028	830	1760	631	1006	444	666	995	1141	50	50
<b>PS-20/200 M</b>	2478	2070	1110	1028	830	2110	631	1006	444	666	995	1316	50	50