

# UBH 2250

Storage bin 1068 kg

Item #:
Project:
Quantity:



**FEATURES:**

- Ice mouth easily removable.
- Polyethylene bin interior, is sanitary and easy to clean, and resists scratches and scuffs from ice scoops.
- Polyurethane Insulation, high density.
- Stainless steel bin exterior, and door in rotocast plastic.
- Hinges that hold the mouth ice door in open position.
- Lower water discharge can be rotated 360 degrees.

**UNIT DATA**

Size (W x D x H) 1872 x 1468 x 1292 mm

Net weight 272 kg

**SHIPPING DATA**

Carton (W x D x H) 2260 x 1570 x 1440 mm

Weight 296 kg

Bin	Compatibility	Ice Machine
UBH 2250	●	MFN 86-88
	●	MF 66- 68-69-86-88
	●	MAR 56-76-106-126-206-306
	●	MAR 78-79-108-109-128-129-208-308

**LEGEND:**

- ✓ : Perfect combination between ice maker and bin
- : Ice chute cut-out performed upon installation
- CBTxxxxxxxx : need additional bin top

**CERTIFICATIONS:**



**IMPORTANT NOTICE:**  
Models and specifications are subject to change without notice. This spec sheet is meant for commercial purpose only. For technical documentation please refer to our service manuals.

[www.scotsman-ice.it](http://www.scotsman-ice.it)  
[www.scotsman-ice.com](http://www.scotsman-ice.com)

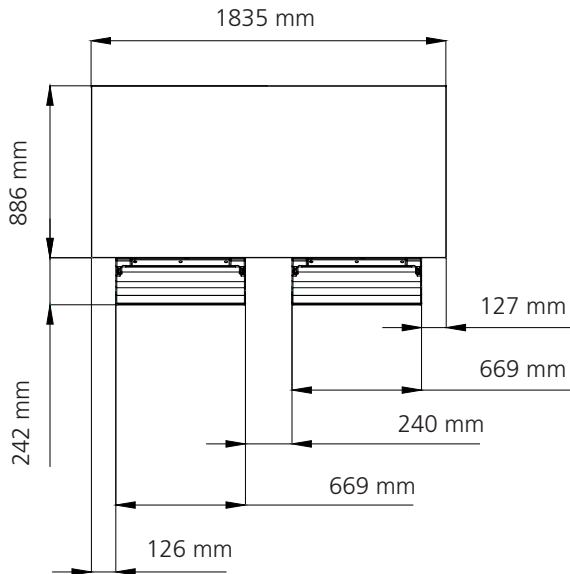
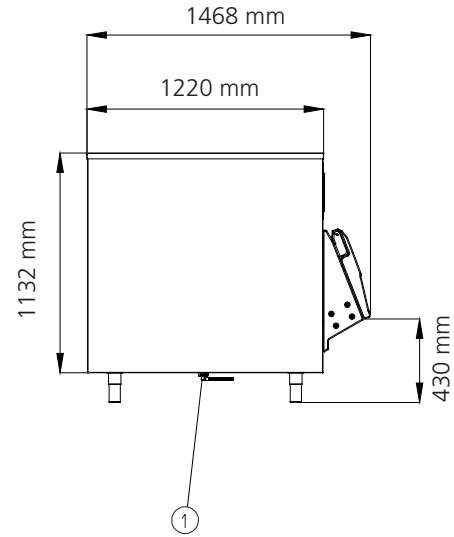
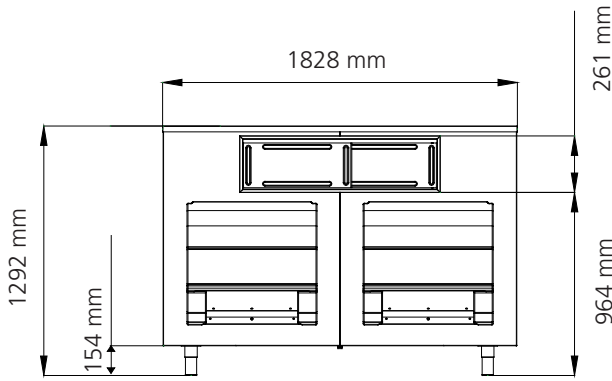
Storage bin 1068 kg

# UBH 2250

Storage bin 1068 kg

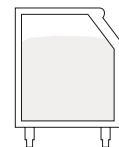
Item #:
Project:
Quantity:

Storage bin 1068 kg

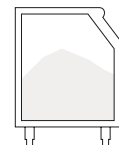


1) Drain Ø 21 mm

Ice capacity (application)*	Ice capacity (AHRI)**	Internal volume
kg	kg	m <sup>3</sup>
1068	838	2.178



(\* Application capacity is calculated on 90% of total volume x 545 kg/m<sup>3</sup>



(\*\*) AHRI capacity is calculated on 80% of total volume x 481 kg/m<sup>3</sup>