

Self-contained ice maker - Sprayer system
Daily production up to 54 kg

Hotel	████████████████████
Restaurant	██████████████████
Fast food	██████████████
Bar	██████████████████
Disco	██████████████████
Fish market	██████████████
Supermarket	██████████████
Medical & SPA	██████████████
Industry	██████████████

► Position n°



► **Features & Plus**

- Resistant and crystal cube
- AISI 304 SS Scotch Brite finish
- Tropical class +43°C
- Adjustable Stainless Steel feet
- Removable and cleanable air filter
- Air cooling system
- Easy cleanable internal rounded surfaces
- HCFC-Free insulated storage
- RoHS Free
- Disappearing insulated door
- Electromechanical operation
- ON-OFF rocker switch
- Standard voltages
- HFC Free
- Automatic Washing system



AISI 304 SS Scotch Brite finish



Adjustable Stainless Steel feet

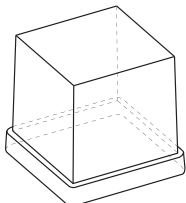


Removable and cleanable air filter



Disappearing insulated door

► **Available ice cube size**



Cube 23 grams
dimensions H 31.5 x L 32.5

► **Prod. 24h**

°C	Air temp.		Water temp.		kg	lbs
	10° C	50° F	7° C	45° F		
	21° C	70° F	15° C	60° F		
					54	119
					48	106

2 Years Warranty
subject to limitations

► **Certifications available for this model**



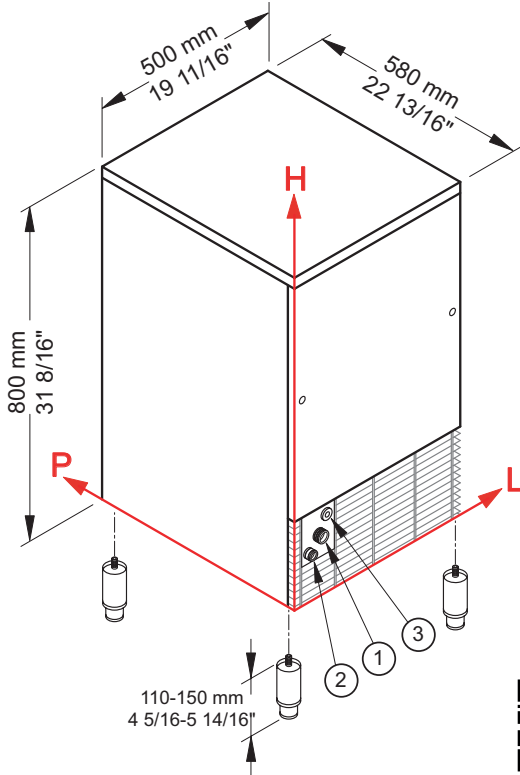


B-Qube

CB 425 HC



Self-contained ice maker - Sprayer system Daily production up to 54 kg



Installation



► Working conditions

- Location: **Indoor**

	Min	Max
Ambient temperature	+10° C / +50° F	+43° C / 110° F
Water temperature	+3° C / +37° F	+32° C / +90° F
Voltage	-10%	+10%
Water inlet pressure	1bar (14 psi)	6bar (84 psi)

► Performances

Air temperature	Water temperature	Water temperature					
		7° C	45° F	15° C	60° F	21° C	70° F
10° C	54 kg						
50° F	119 lbs						
21° C			48 kg				
70° F			106 lbs				
32° C					44 kg		
90° F					97 lbs		

► Connections

All measures are referred to the rear bottom-left corner (L-H-Ø)

- ① Water in.: 111 mm / 4 6/16" - 196 mm / 7 11/16" - 3/4" ② Water out.: 49 mm / 1 15/16" - 151 mm / 5 15/16" - 24 mm / 15/16"
- ③ Electrical connections: 156 mm / 6 2/16" - 232 mm / 9 2/16"

► Technical information

Production in 24h	48 kg / 106 lbs	Water consumption	A: 4 l/kg - 36 gal/100 lbs
Store capacity, up to	25 kg / 55 lbs	Sizes (L-P-H mm)	500 - 580 - 800
Cooling system	A	(L-P-H in)	19 11/16 - 22 13/16 - 31 8/16
Kind of cube	Q-23g	Sizes with pack (L-P-H mm)	550 - 630 - 990
Refrigerant	R290	(L-P-H in)	21 10/16 - 24 13/16 - 39
Standard voltage	220-240 V ~ 50 Hz	Net weight	56 kg / 123 lbs
Average power consumption	450 W	Gross weight	64 kg / 141 lbs
Fuse	10 A	Finish	AISI 304 stainless steel, scotch brite
Electrical consumption	18 kWh/100kg		

All the technical information must be considered at the following conditions:

- Sizes without feet
- Standard Cube (18 g)
- Ambient temperature +21° C
- Water temperature +15° C
- Electrical consumption at +32° C (standard voltage)
- Average power consumption at +43° C (standard voltage)

Models and specifications are subject to change without notice

Rev. 00 - Issued February 2020



www.bremaice.it
info@bremaice.it

Bim + Data
download

