

## High Powered Volume Driver

HIGH VOLUME

40  MIN.

Our robust juicer for staff-operation, pre-portioning, and commissary strategies: Ideal for freshly squeezed into bottles or cups.

- POWERFUL RETURNS:** Staff-operation at 40 fruit/minute. Convenient juice tank for high-volume juicing and pre-bottling.
- SUPERIOR TASTE:** Patented SCS Up&Down dynamic knife delivers precise fruit cuts, reduces peel oil, and yields sweeter-tasting juice.
- MAXIMIZED HYGIENE:** 304 food-grade stainless steel ensures food safety. Dishwasher-safe Double Cover and juicing parts maximize hygiene.
- EFFICIENT OPERATION:** One single Cross Holder secures all juicing elements and speeds up disassembly and cleaning.
- UNMATCHED DURABILITY:** Robust materials and design. Complete triple-sealed separation of juicing and motor zone for durability and longer machine life.
- SMART TECHNOLOGY:** Multi-functional digital display with fruit counter, intelligent stop, and more.
- LUCRATIVE RETURNS:** Stainless-steel rolling cabinet available for longer uninterrupted juicing and added mobility. Optional pressing kits so you can offer greater juice variety: lemon, lime, tangerine, orange, and grapefruit all from one single juicer.



# 8000XB

Fruit per minute

40 pieces

Fruit supply basket

46 lb

Fruit type

Citrus fruit

Fruit size, Standard Pressing Kit (incl.)

2.55-3.14 in

Fruit size, Small Pressing Kit (optional)

1.96-2.55 in

Fruit size, Large Pressing Kit (optional)

3.15-3.50 in

Juicing modes

Continuous / Programmed / Manual  
release tap and juice tank

Installation

Free-standing / Countertop kit /

Stainless-steel cabinet (recommended)

Net weight: Juicer / Juicer on Cabinet

159 lb / 246 lb

Power Supply

120 V / 60 Hz

Power

200 W / 0.2 kW

Fuse / Protection

6.3 A / IPx1

Warranty

Limited 2-year

Certifications

NSF, TÜV America, ISEGA,

ANSI and SCC accredited

Parts and Support

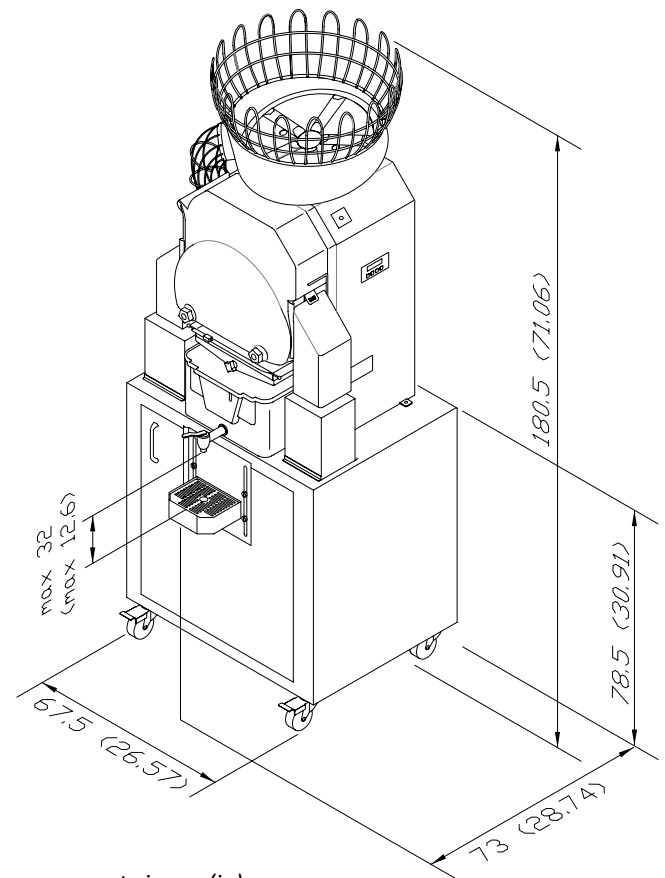
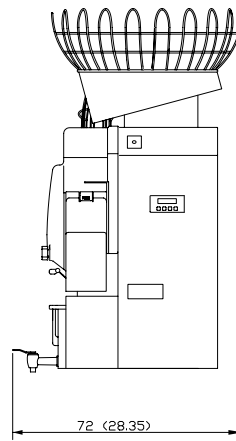
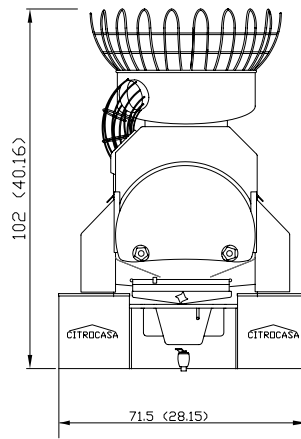
(407) 790 7862

[www.citrusamerica.com](http://www.citrusamerica.com)

[www.juicertraining.com](http://www.juicertraining.com)

## HIGH VOLUME CITRUS JUICER

40  MIN.



Measurements in cm (in)



### 2-ZONE-TECHNOLOGY:

Complete separation of *motor zone* and *juicing zone* with stainless-steel Double Cover for improved hygiene and cleaning efficiency.

### OPTIONAL ACCESSORIES:

- | Small Pressing Kit for small citrus: lemons, limes, tangerines
- | Large Pressing Kit for large citrus: large oranges, grapefruit
- | Counter-Installation Kit | Rolling Stainless-Steel Cabinet
- | Bottle Dispenser | Slide Tray | Display Shelf



Small Pressing Kit for lemons/limes



Large Pressing Kit for grapefruit