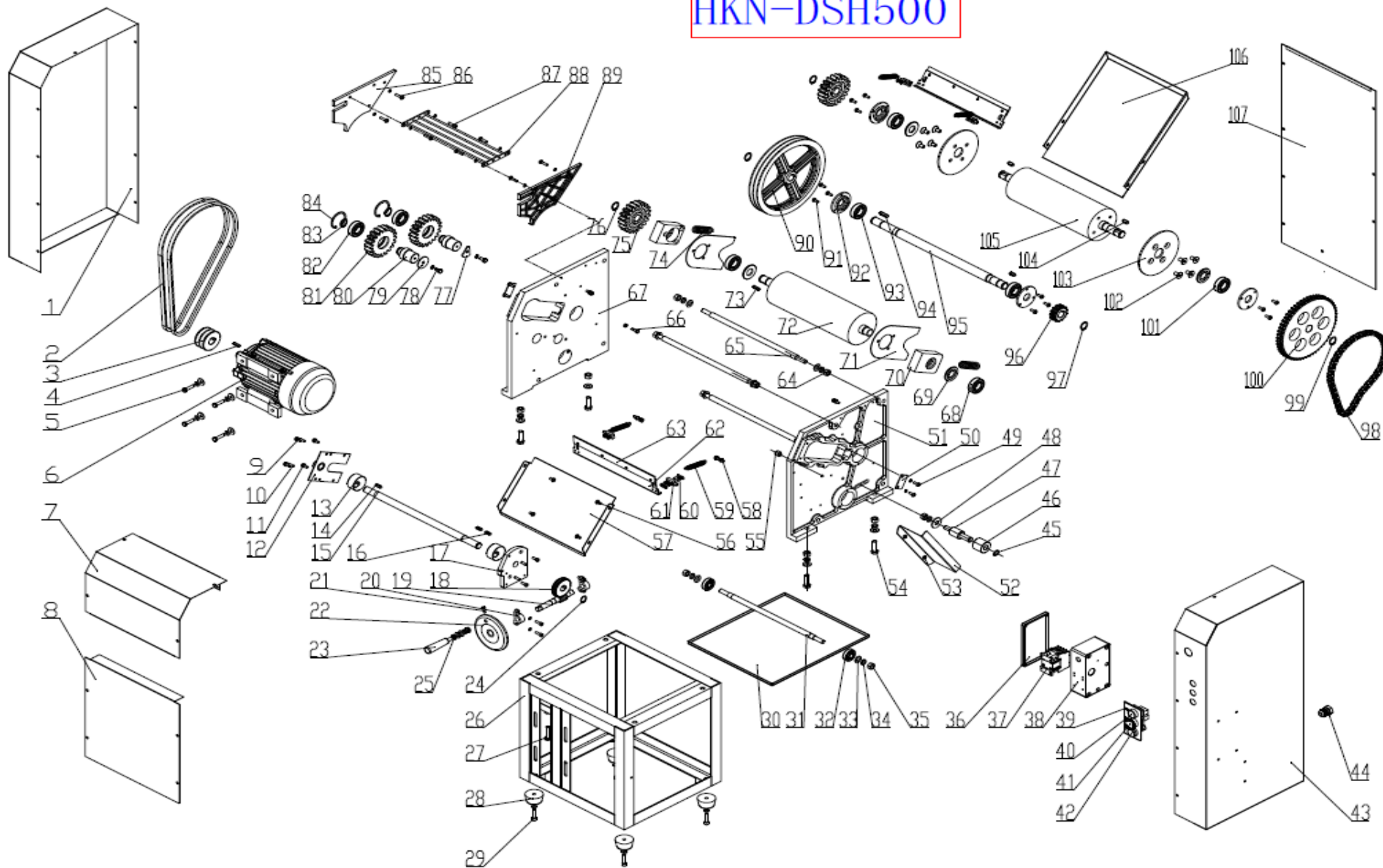


HKN-DSH500



ТЕСТОРАСКАТКА HURAKAN HKN-DSH500

Поз	Наименование детали				
1	left cover	41	stop button	81	gear
2	v-belt	42	lamp	82	deep groove ball bearing
3	motor pulley	43	right cover	83	circlip for shaft
4	flat key	44	Power cord sheath	84	circlip for hole
5	hexagon bolt	45	circlip for shaft	85	left blocking board
6	motor	46	tension pulley	86	cross recess pan head screw
7	front cover	47	tensioning shaft	87	cross recess pan head screw
8	lower cover	48	large washer	88	protective grid
9	hexagon bolt	49	cross recess pan head screw	89	right blocking board
10	round pin	50	compression spring damper	90	Passive pulley
11	spring washer	51	right pannel	91	cross recess pan head screw
12	Camshaft left bracket	52	oil weir	92	bearing cover
13	cam	53	cross recess pan head screw	93	deep groove ball bearing
14	flat key	54	hexagon bolt	94	flat key
15	camshaft	55	fixed crew	95	bridge axis
16	flat key	56	cross recess pan head screw	96	drive sprocket
17	Camshaft right bracket	57	Discharging plate	97	circlip for shaft
18	worn gear	58	hexagon bolt	98	chain
19	worn shaft	59	tension spring	99	circlip for shaft
20	worm seat	60	cross recessed countersunk head screw	100	passive sprocket
21	hexagon bolt	61	support connector	101	deep groove ball bearing
22	handle wheel	62	hanging panel seat	102	hexagon socket countersunk head screws
23	handle shank	63	hanging panel	103	roll collar
24	circlip for shaft	64	hex nut	104	flat key
25	hexagon thin nut	65	fixed rod	105	drive roll
26	rack	66	hexagon bolt	106	feedboard
27	hexagon bolt	67	left pannel	107	back cover
28	foot	68	deep groove ball bearing		
29	hexagon socket cap screws	69	Dustproof inner ring of bearing		
30	chassis	70	sliding block		
31	fixed rod	71	slider baffle		
32	clamping roller	72	passive roller		
33	flat washer	73	flat key		
34	spring washer	74	Sliding block compression spring		
35	hexagon thin nut	75	transmission gear		
36	electric box cover	76	circlip for shaft		
37	a.c contactor	77	fan ring		
38	electric box	78	hexagon bolt		
39	switch pannel	79	round collar		
40	start button	80	small bridge axis		
41	stop button	81	gear		