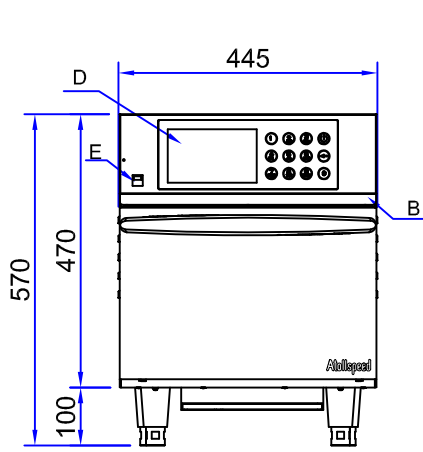
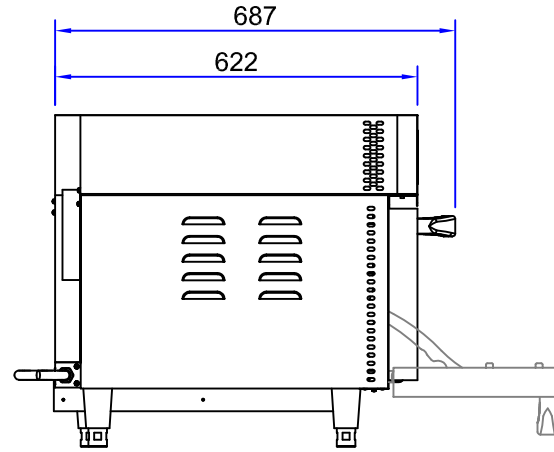


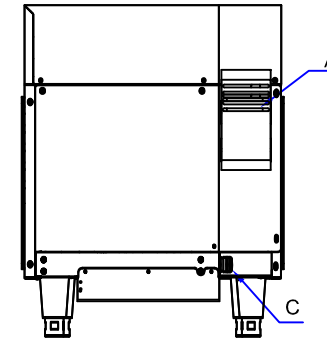
# Kolb Atollspeed 300H K02-3003T1S



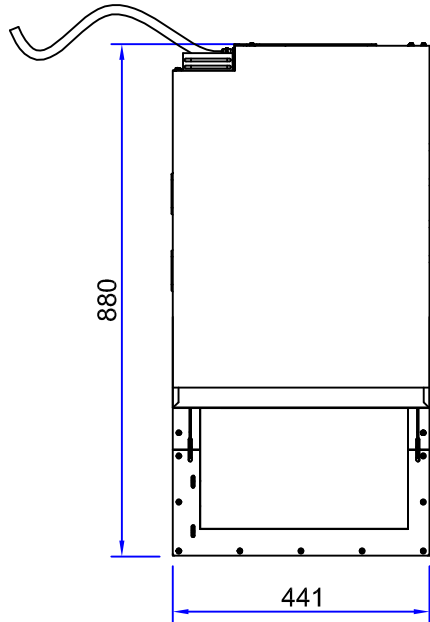
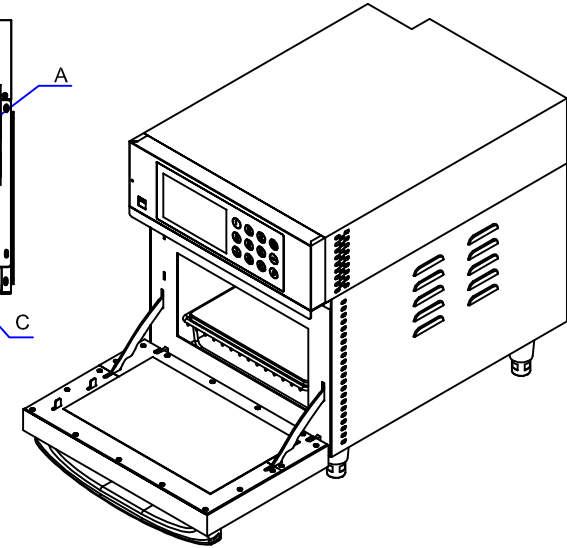
Front view



Side view



Rear view



Top view

- A Steam discharge cover
  - B Temperature limiter
  - C Power cable
  - D Touch screen display
  - E USB
- Dimension: 445(W) x 687(D) x 570(H) mm  
 Door open dimension: 445(W) x 880(D) x 570(H) mm  
 Baking chamber dimension: 317(W) x 311(D) x 170(H) mm  
 Standard Voltage: 220-230V/1Ph/PE/50 Hz  
 Optional Voltage: 208V, 240V (Specify on order)  
 Optional Frequency: 60 Hz (Specify on order)  
 Total power: 3.3 kW  
 Microwave input power: 1.6 kW  
 Heating power: 3.3 kW  
 Current: 15 A  
 Weight: 65 kg  
 Microwave frequency: 2.465 GHz  
 Recommended Fuse Type: D, K or C (slow)  
 Recommended Wiring: 2.5 mm<sup>2</sup>

Signature: \_\_\_\_\_  
Date: \_\_\_\_\_

Unassigned Tolerance According to DIN ISO 2768-1							
Dimension	0.3 To 6	6 To 30	30 To 120	120 To 400	Radius 0.5 To 3	Radius 3 To 6	mm
Tolerance	±0.1	±0.2	±0.3	±0.5	±0.2	±0.5	mm

**Kolb Huizhou Ltd.**

Tel: +86 (0)752 6111 203 ext. 219

Mail: info@kolbcn.com

Website: www.kolbcn.com

Tolerance		Customer Title: Atollspeed 300H	Material: SS304
X.±	X.°	Kolb Item Number:	Version: 01
.X±	.X°	Kolb Item Name: Atollspeed 300H	
.XX±	.XX°		
		Weight	Thickness
			Item Number
			Page
		K02-3003T1S	1/1

1	Approve		Check		Draft	Min	Unit	mm
Quantity	Date		Date		Date	09.01.2018	Scale	1:1