



G 280

# LIST OF THE EXPLODED VIEWS



*SHELL ASSY*

*COOLING SYSTEM*

*EVAPORATOR*

*HYDRAULIC CIRCUIT*

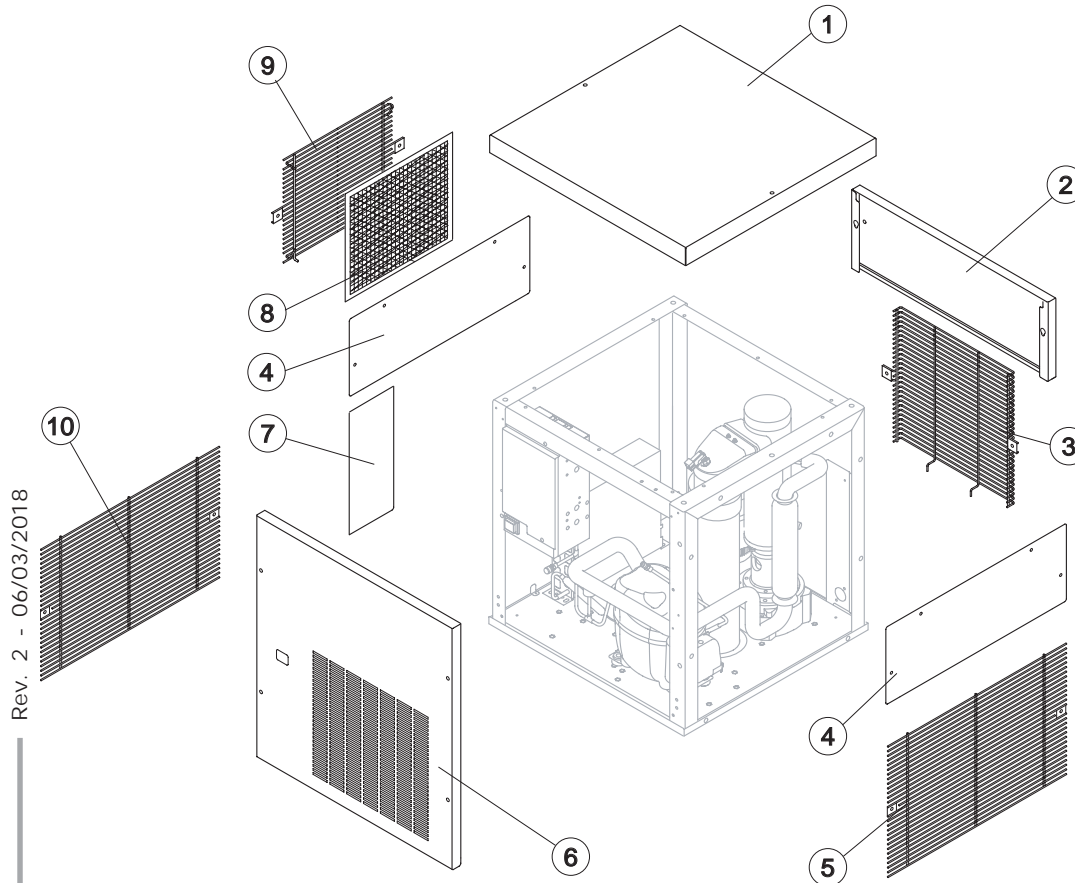
*ELECTRIC PARTS*

Rev. 2 - 06/03/2018



# G280

# SHELL ASSY



Rev. 2 - 06/03/2018

### Common Parts

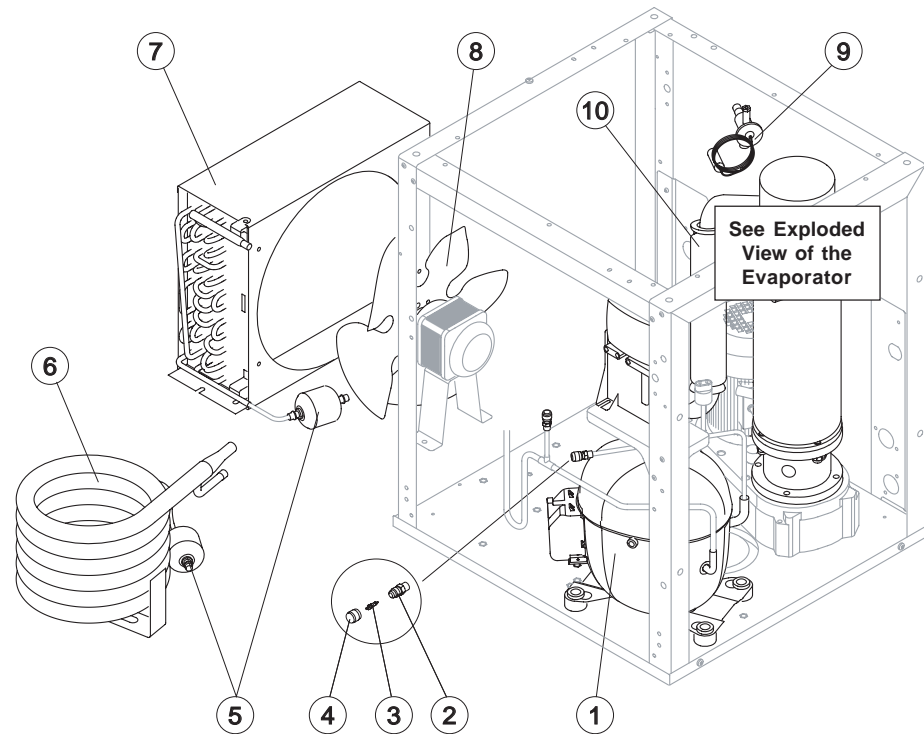
Ref.	Spare Description	Code
1	Top	221518
2	Back Panel	221513
3	Back Grill	D12091
4	Side Panel	221515
5	Right Side Grill	D12092
6	Front Panel	221511

### Parts for Air-Cooled Version Only

Ref.	Spare Description	Code
7	Lower Left Side Panel	221517
8*	Filter	18246
9	Left Side Grill	D12093

### Parts for Water-Cooled Version Only

Ref.	Spare Description	Code
10	Left Side Grill	D12092



### Common Parts

Ref.	Spare Description	Code
1	Compressor	See Table
2	Vacuum-Charge Valve Body	14007
3*	Vacuum-Charge Valve Device	14005
4*	Vacuum-Charge Valve Plug	14006
5*	Molecular Drier	14089
9	Expansion Valve	20991
10	Suctin Line	for the spare parts code give us the s/n.

### Parts for Air-Cooled Version Only

Ref.	Spare Description	Code
7	Air Condenser	20924
8	Sucking Fan	20407

### Parts for Water-Cooled Version Only

Ref.	Spare Description	Code
6	Water Condenser	14678

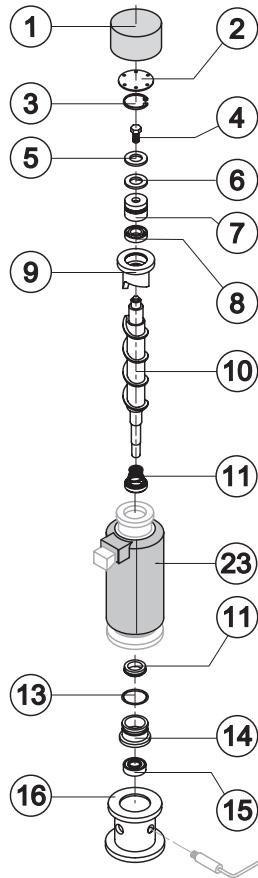
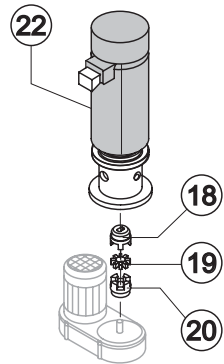
### Rif. 1 - Compressor

Voltage	Code
T11	23986
T12	23964



# G 280

# EVAPORATOR

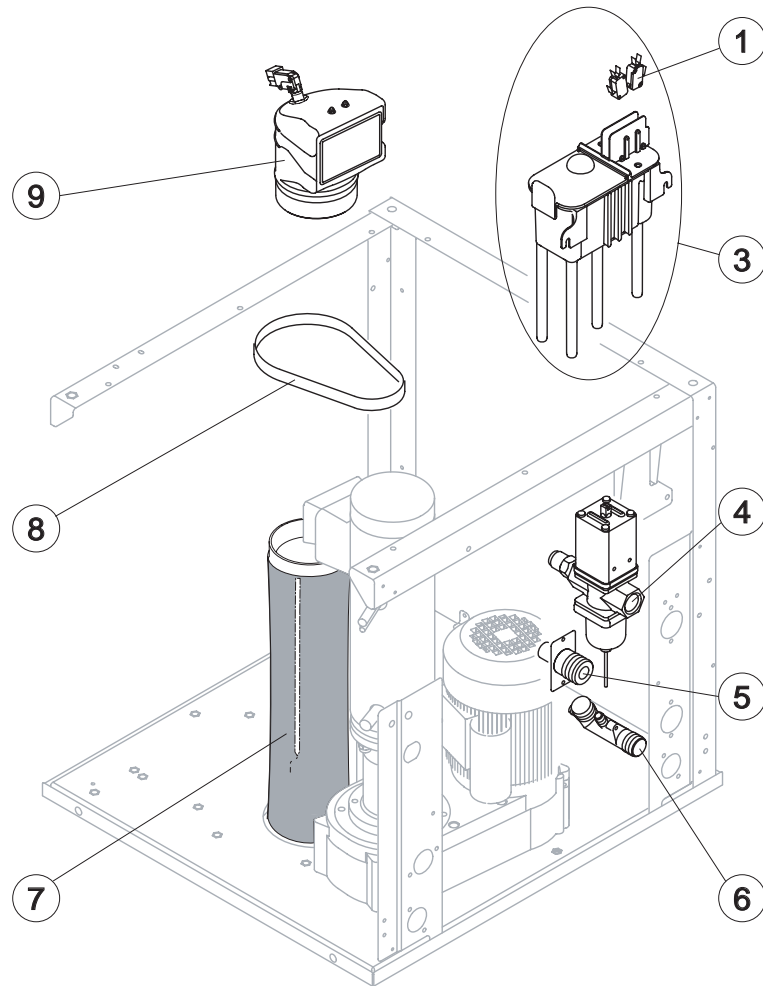


Ref.	Spare Description	Code
1	Insulating Cap	18167
2	Closing Disk	22649
3	Seeger	20116
4	Stainless Steel Screw	20664
5	Shimming Disk	22829
6	Self-Lubricating Disk	20639
7	Stainless Steel Thrust Bearing	20685
8	OR Gasket 4137	20689
9	Ice Breaker	201233
10	Auger	20684
11	Ceramic Seal	20633
13	OR Gasket 3218 NBR	20655
14	Reduction Ring	20659
15	Stainless Steel Bearing	20112
16	Flange	20644
18	Semi-Joint Upper	D20654
19	Vibration-Damping Elastomer	20494
20	Semi-Joint Lower	D20493
22	Evaporator Assy	C11114
23	Insulating Cap	18182



# G280

## HYDRAULIC CIRCUIT

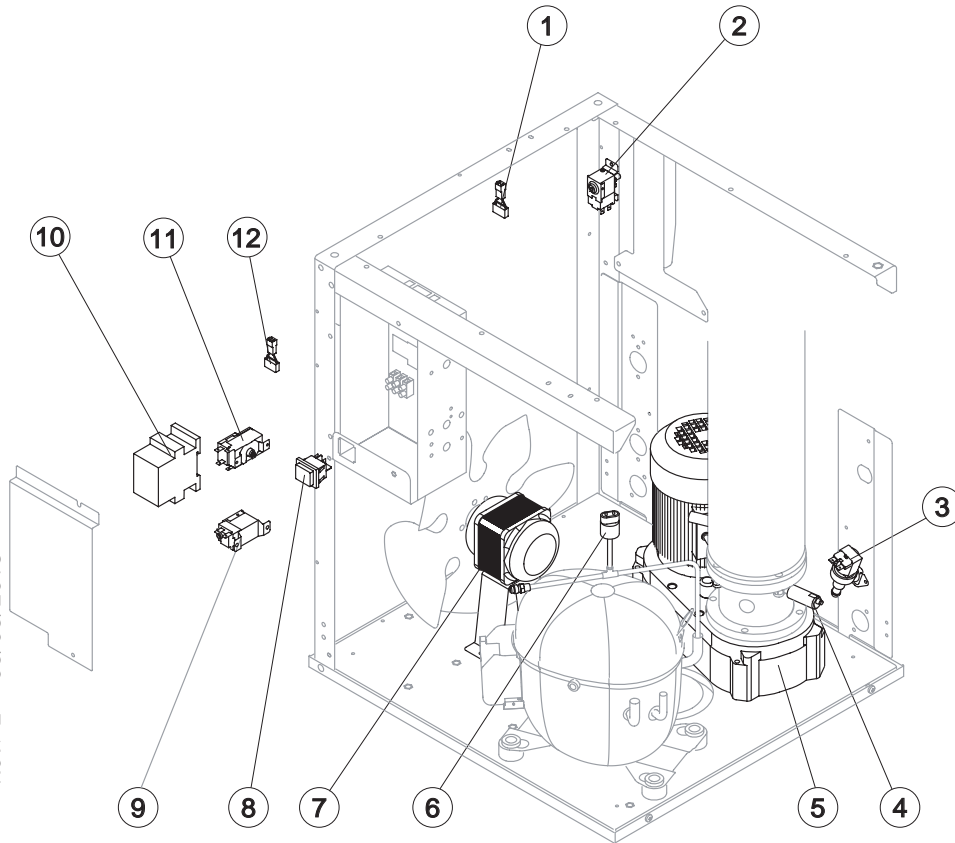


### Common Parts

Ref.	Spare Description	Code
1	Microswitch	23055
3*	Double Switch Basin Assembly	C10685
6	Discharges Manifold	10579
7	Ice Outlet Pipe with Bin Bulb Holder	C10656
8	Locking Exhaust Strip	25049
9*	Ice Exhaust with micro Assy	C10585

### Parts for Water-Cooled Version Only

Ref.	Spare Description	Code
4	Water regulating valve assembly	C20967
5	Drain manifold	20984



### Common Parts

Ref.	Spare Description	Code
1	Anti Radio Interference Filter	T11 C23457
2	Safety Pressure-Switch	23342
3*	1 Way- Water Inlet Valve	23115
4	Rotation Sensor	R231028
5	Gearmotor	231030
6	Low Pressure Safety Switch	23909
8*	Green Light Switch (On-Off)	23327
10	Contactor	See Table
11*	Bin Thermostat	R231035

### Parts for Air-Cooled Version Only

Ref.	Spare Description	Code
7*	Fan Motor	23121
9*	Condenser Pressure Switch	23175
12	Anti Radio Interference Filter	T11 C23459

### Rif. 10\* - Contactor

Voltage	Code
T11	23147
T12	23963