



MUSTER 600 SPLIT CO₂ LIST OF THE EXPLODED VIEWS



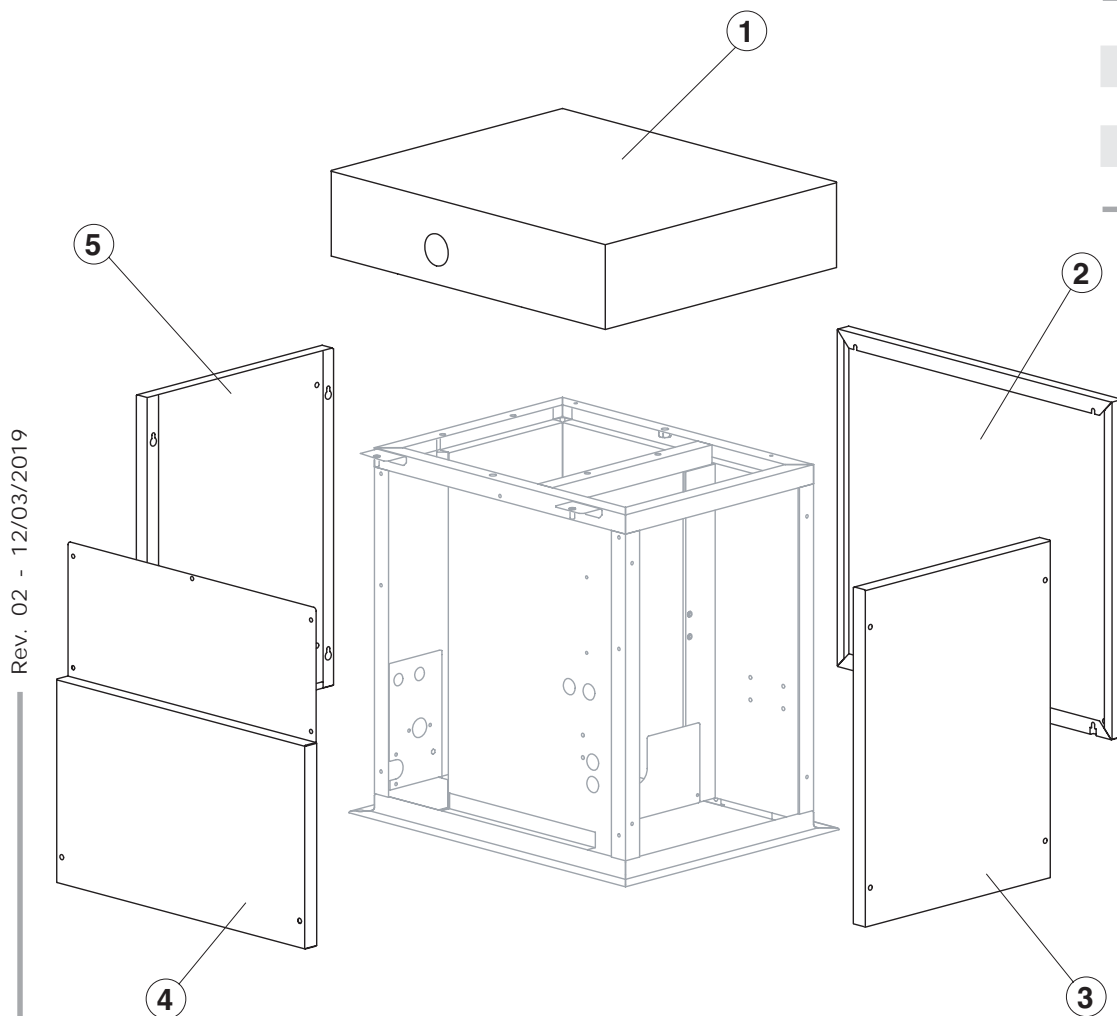
SHELL ASSY

EVAPORATOR

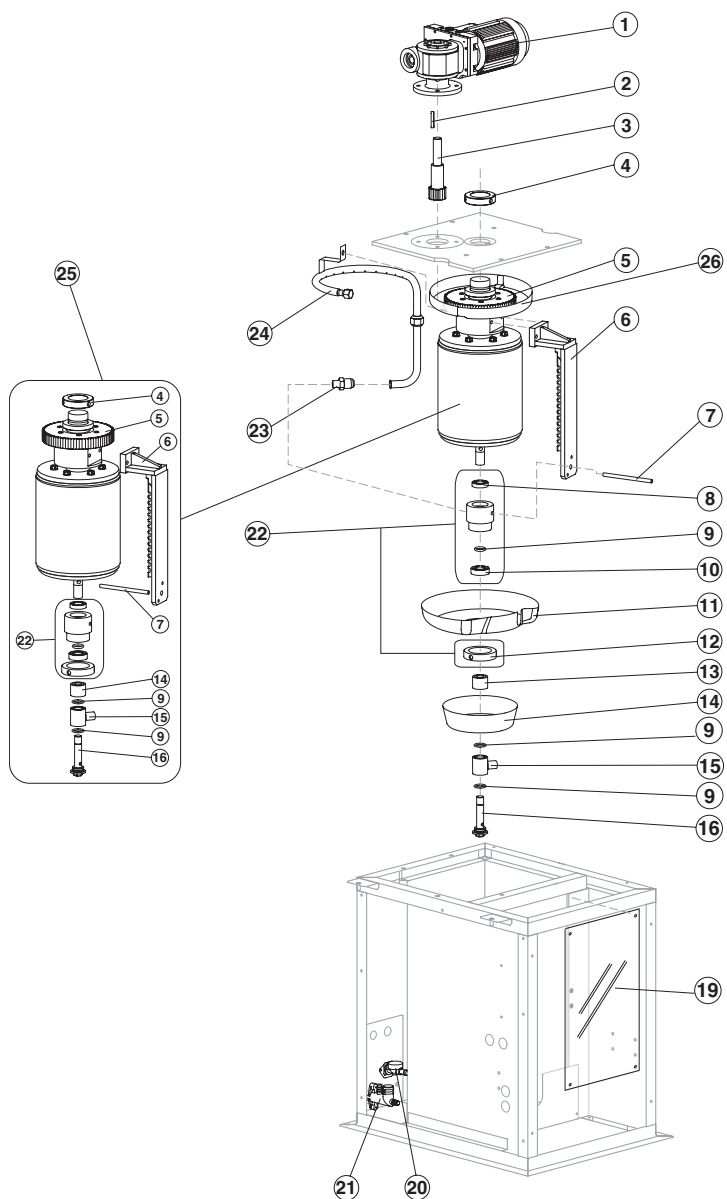
PUMP

ELECTRIC PARTS

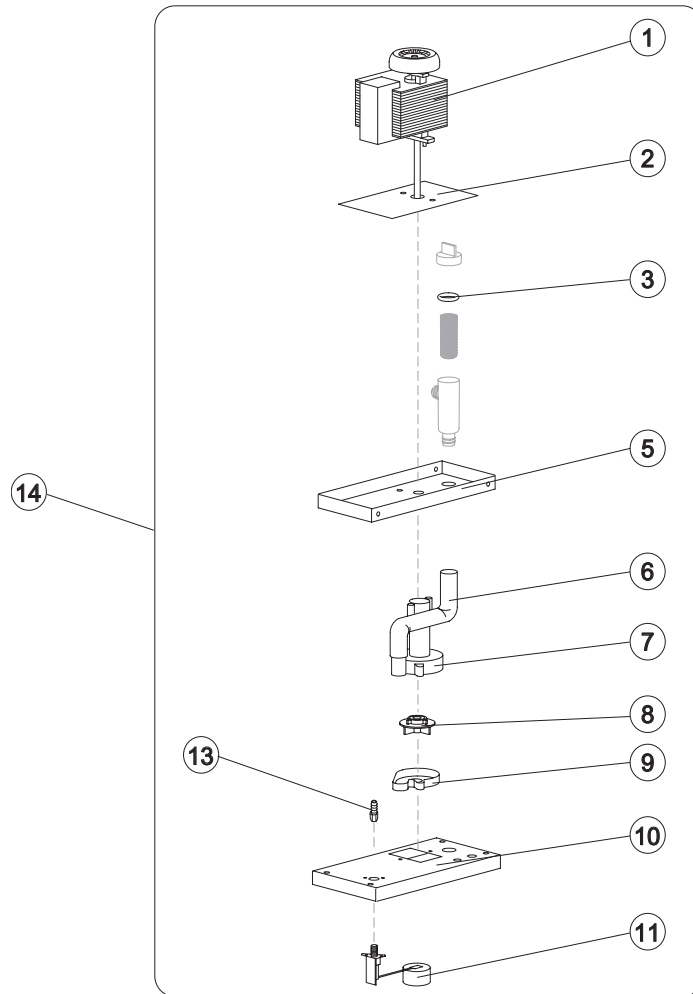
Rev. 02 - 12/03/2019



<i>Ref.</i>	<i>Spare Description</i>	<i>Code</i>
1	Top Assembly	C22990
2	Right Side Panel	22425
3	Front Panel	22469
4	Left Side Panel	22989
5	Rear Panel	22991



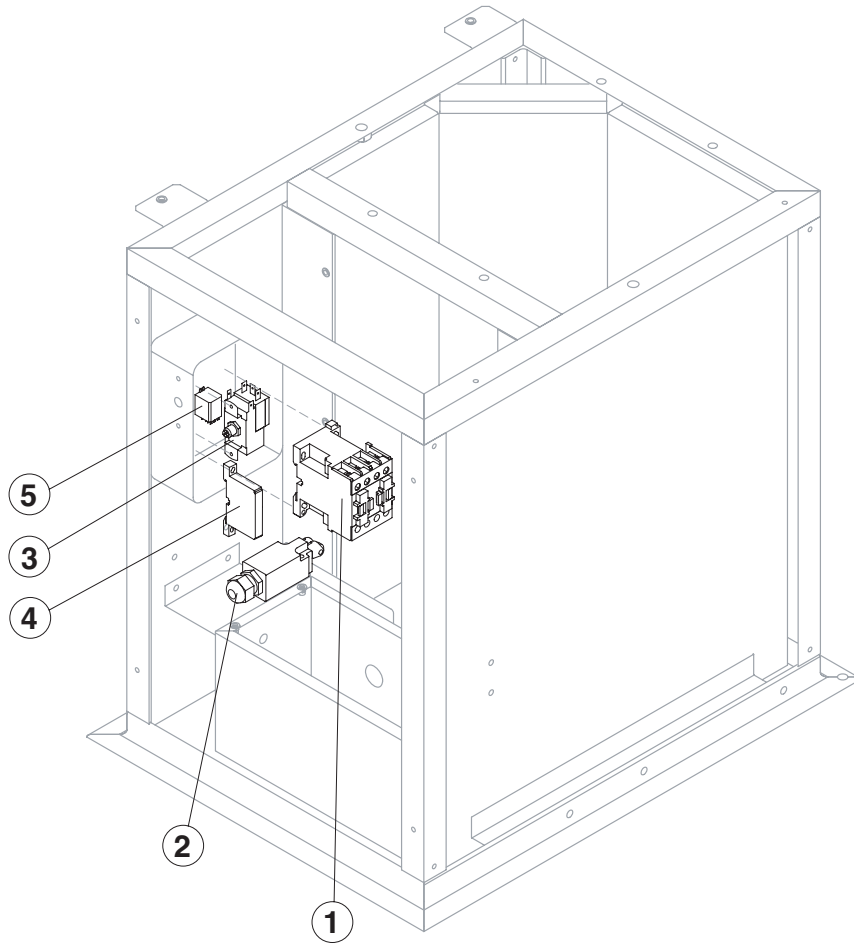
Ref.	Spare Description	Code
1	Gearmotor Assy	C23412
2	Key 6x6x40	20350
3	Pinion with Shaft for Gearmotor	C20344
4	Cylinder Locking Ring Nut	20324
5	Ring Gear	20354
6	Scraper	20866
7	Tie Rod (to Block Scraper)	20865
8	Stainless Steel Bearing	20531
9	Silicone OR 4081 Gasket	20338
10	Stainless Steel Bearing	20045
11	Rotating Basin	10184
12	Ring Nut for Rotating Ring	10182
13	Spacer	10519
14	Fixed Basin	C10598
15	Water Inlet Ring	20851
16	Screw	20849
19	Evaporator Chamber Shield	10522
20	1 Way- Water Inlet Nipple	10368
21	Discharges Manifold	10580
22	Complete Rotating Ring	C10180
23	Joint	20335
24	Sprayer Ring	C20867
25	Evaporator	C11149
26	Ring Gear Cover	C10629



Ref.	Spare Description	Code
1	Pump Motor	R23073
2	Heat Dissipator	22430
3	Pump Filter Gasket	13080
5	Pump Motor Support	10161
6	Pump-Filter Connection Pipe	13084
7	Pump Body	10065
8	Pump Impeller	10190
9	Diffusor	10067
10	Water Pump Basin Cover	22420
11*	Floating Valve	10188
13	Connection	20799
14*	Pump and Filter Assy	C26736



Rev. 02 - 12/03/2019



<i>Ref.</i>	<i>Spare Description</i>	<i>Code</i>
1*	Contactor	23594
2	Microswitch for Ice Overflow	23746
3*	Bin Thermostat	R23005
4	Electronic delay timer	231033
5	Relay	23190