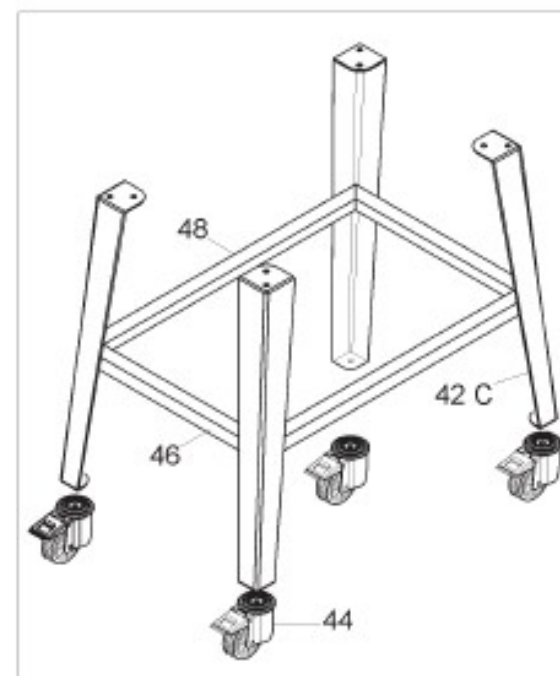
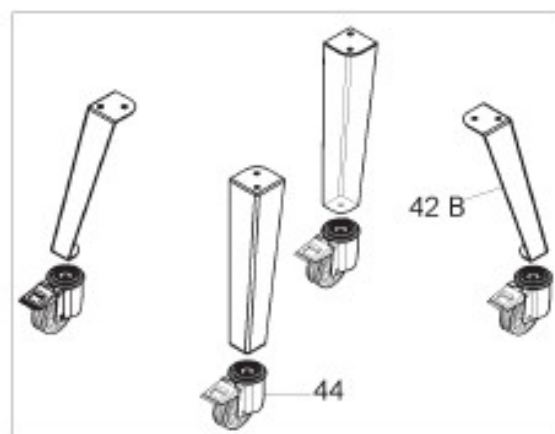
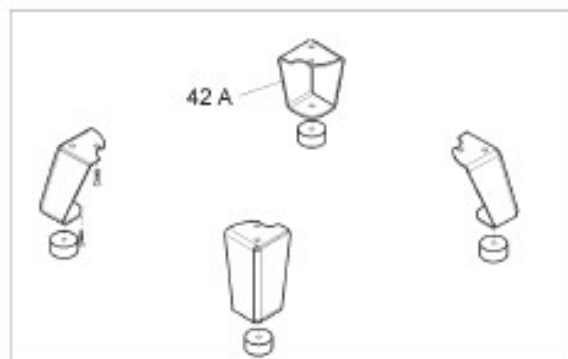
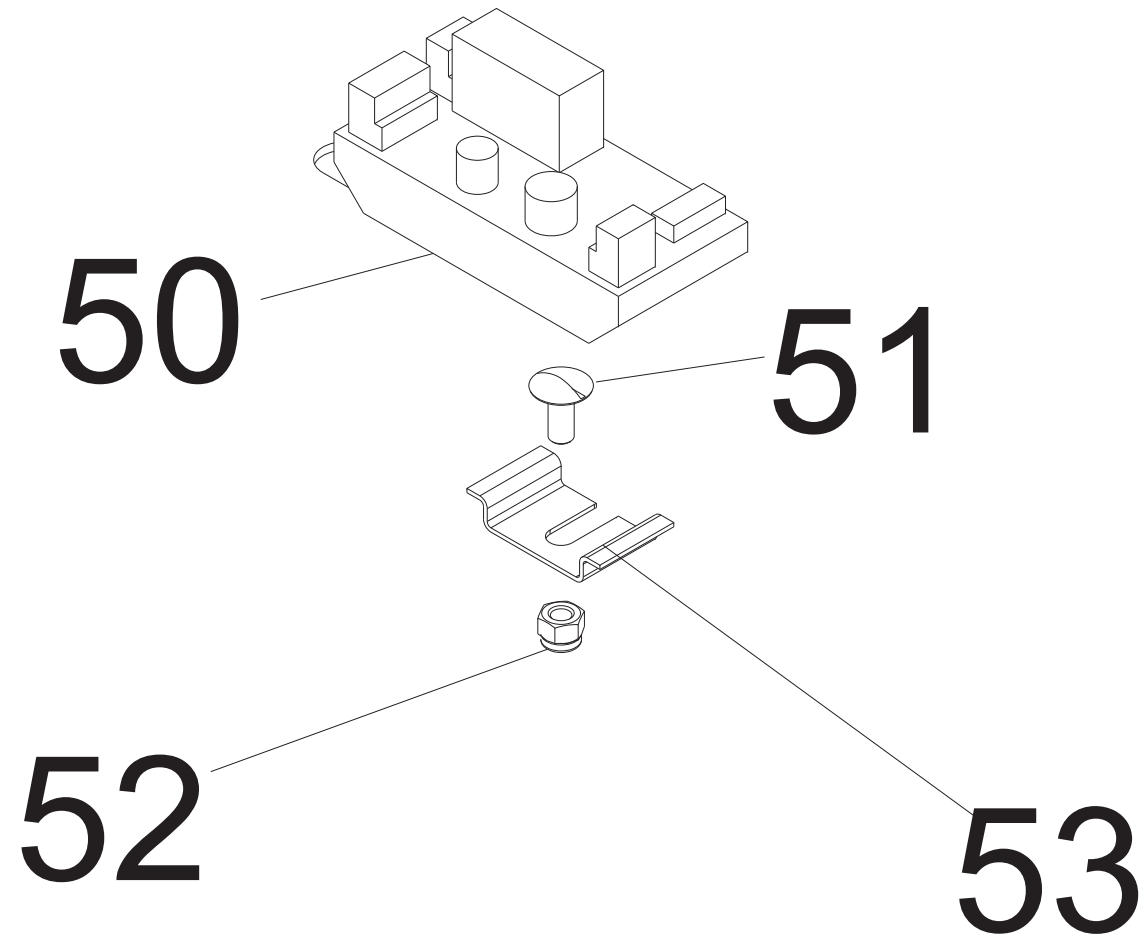


1	GUIDA DIN OMEGA H.7MM L=20MM	LF1000416020
2	CAVO + SPINA CEE 2P + T	LF1010050
3	STRAIN RELIEF + NUT	LF1010063
4	CONTROL UNIT FOR SAFETY SWITCHES	LF1010080
5	ROUND SENSOR L=2000 SO2020-2400IX	LF1010090
6	ROUND MAGNET DIAM.25	LF1010094
7	BOX GW 44207	LF1010704
8	MORSETTO A PETTINE X EQUIPOTENZ. BZ	LF1030522050
9	PCB WITH REVERSE TC-ME R3 EQ.	LF1033031
10	LABEL FOR 3 PUSH BUTTONS IP/TC	LF1041004
11	S/S ON BUTTON W/LIGHT OMEGA 24 V	LF1041015
12	S/S OFF BUTTON	LF1041018
13	BEARING SP 7205	LF1144504
14	SEAL RING 30-62-7	LF1243001
15	RUBBER FOOT DIAM 40 H=25	LF1433001
16	RONDELLA PLAST. D 5,3X20 H3 ME30-50	LF1443301
17	GUARNIZ.ANTIVIB.RID.MNRV ME30-50	LF1443310
18	BUSH 15X22X28 L=14	LF1495001
19	HANDLE 236-148 M6_COLLECTION TRAY	LF1510010
20	MOTORE TC 22 FRZ 380/50 HZ	LF1838301
21	SUPP.PIEG.SENS. COD. D.18 SO INOX	LF2007022
22	PALA COMPLETA MESCOLATORE IP 30	LF2043018
23	CARENA COMPLETA PRIG ME 30 MP COMP	LF2043302
24	COPERCHIO CARENA IP 30 MP COMP	LF2043304
25	FRONTALE CHIUS. CAR. IP 30 MP COMP	LF2043308
26	CARTER CHIUS. POSTER. IP 30 MP COMP	LF2043311
27	OMEGA SUPPORTO MOTORE ME 30 MP COMP	LF2043323
28	RID. NMRV 050 B14 I=50 P80 ME 30 MP	LF2043340
29	PERNO TRASC. PALA ME 30 MP COMP	LF2043344
30	HOLDING FLANGE _ IP 80 BA XP	LF2044536
31	FLAT WASHER DIN 125 D 8	IX2125008
32	BLIND NUT DIN 1587 M5	IX21587LC005
33	CAP NUT DIN 1587 M 6	IX21587LC006
34	LINGUETTE DIN 6885/A 8X7X40	IX26885A080740
35	VITE TSPEI DIN 7991 M 8X30	IX27991008030
36	VITE TSP TORX DIN 7991 M 5X20 TX25	IX27991PINTX520
37	WASHER LARGE DIN 9021 D 5X15	IX29021005015
38	WASHER THICK DIN 9021 D 8X32	IX29021008032
39	HEX.SOCKET HEAD CAP SCREW M6 X 20	IX2912006020
40	HEX.SCREW DIN 933 M 6X20 T.F.	IX2933006020
41	HEX.SCREW DIN 933 M8 X 20	IX2933008020
42	HEX.NUT DIN 934 M8	IX2934008
43	DADO AUTOBLOCC. ES DIN 982 M 5 ALTO	IX2982005
44	VITE POELIERS M 4X10	IX2POEL004010
45	VITE POELIERS M 5X16	IX2POEL005016
46	SCREW POELIERS M6X10	IX2POEL006010
47	RONDELLA PLAST. D 5,3X20 H3 ME30-50	LF1443301
55	CAPACITOR 35UF	LF1011035



40	S/S TRAY for IP & TC	IV2270500
42 A	SHORT LEG	LF2039770
42 C	GAMBA CAVAL.LUNGA	LF2039766
42 B	GAMBA CAVAL.MEDIA	LF2039755
44	WHEEL WITH BRAKE D80	LF1539701
46	ASTA 440 POST KIT GAMBE ALTE ME 50	LF2043550
48	ASTA 535 LAT KIT GAMBE ALTE ME 50	LF2043553



50	PCB OVERLOAD PROTECTION EQ	LF1033036
51	SCREW POELIERS M 5X12	IX2POEL005012
52	DADO AUTOBLOCC. ES DIN 982 M 5 ALTO	IX2982005
53	GUIDA DIN OMEGA H.7MM L=20MM	LF1000416020