



VACUUM SEALER SU-6160

Double chamber vacuum packing machine. 155 m³/h.



FOOD PRESERVATION AND SOUS-VIDE
VACUUM PACKING MACHINES - "SENSOR ULTRA" LINE



SALES DESCRIPTION

High performance model with tilting cover, double chamber and 4 x 662 mm. sealing bars. 155 m³/h. Busch vacuum pump. Vacuum controlled by sensor.

- ✓ Powered by Busch.
- ✓ Vacuum controlled by sensor.
- ✓ Vacuum PLUS.
- ✓ LCD colour screen: all information at a glance.
- ✓ Backlit touch keyboard.
- ✓ Programmable: 25-programme memory. Blocking option.
- ✓ "Pause" button.
- ✓ Phased vacuum programme.
- ✓ Detection of the evaporation of liquids.
- ✓ Double seal.
- ✓ Cordless sealing bar.
- ✓ Progressive decompression.
- ✓ Vac-Norm ready with Automatic decompression.
- ✓ Stainless steel body and chambers.
- ✓ Tilting cover made of thick, robust stainless steel.
- ✓ Dry-oil programme for drying the pump.
- ✓ Working hours counter for oil changes.
- ✓ Safety system with protection against vacuum failure.

INCLUDES

- ✓ BUSCH pump.
- ✓ Sensor Controls.
- ✓ 25 programmable settings.
- ✓ Vacuum PLUS: up to 10 seconds of extra vacuum pull.
- ✓ Soft air function.
- ✓ "PAUSE" function.
- ✓ Liquid detection system.
- ✓ Dry oil cycle.
- ✓ NSF Approved.
- ✓ 4 filling plates.

OPTIONAL

- Inert gas
- Sealing plus
- Printer
- Bluetooth connectivity
- Vacuum packing bags
- External vacuum kit for Vac-Norm, containers and accessories
- Bag cutting kit
- Support for liquid packaging
- Additional filling plates

ACCESSORIES

- Bag cutting kits
- Filling plates
- Liquid insert plates
- Vac-norm external vacuum kits
- Vac-norm containers
- Smooth bags for vacuum packing
- Thermal labels for CG2 / RB printer
- RB Desktop printer for SU vacuum packing machines
- Thermal transfer labels for RB printer

SPECIFICATIONS

Pump capacity: 155 m³/h
 Pump capacity (60 Hz): 186 m³/h
 Bar length: 662 mm + 662 mm
 Total loading: 4000 W
 Vacuum pressure (maximum): 0.5 mbar

Plug: --
 Electrical connection: --

Internal dimensions

- ✓ Width: 662 mm
- ✓ Depth: 656 mm
- ✓ Height: 205 mm

External dimensions (WxDxH)

- ✓ Width: 1640 mm
- ✓ Depth: 874 mm
- ✓ Height: 1370 mm

Net weight: 360 Kg
 Noise level (1m.): 75 dB(A)
 Background noise: 32 dB(A)

Crated dimensions

980 x 1720 x 1280 mm
 Gross weight: 475 Kg





VACUUM SEALER SU-6160

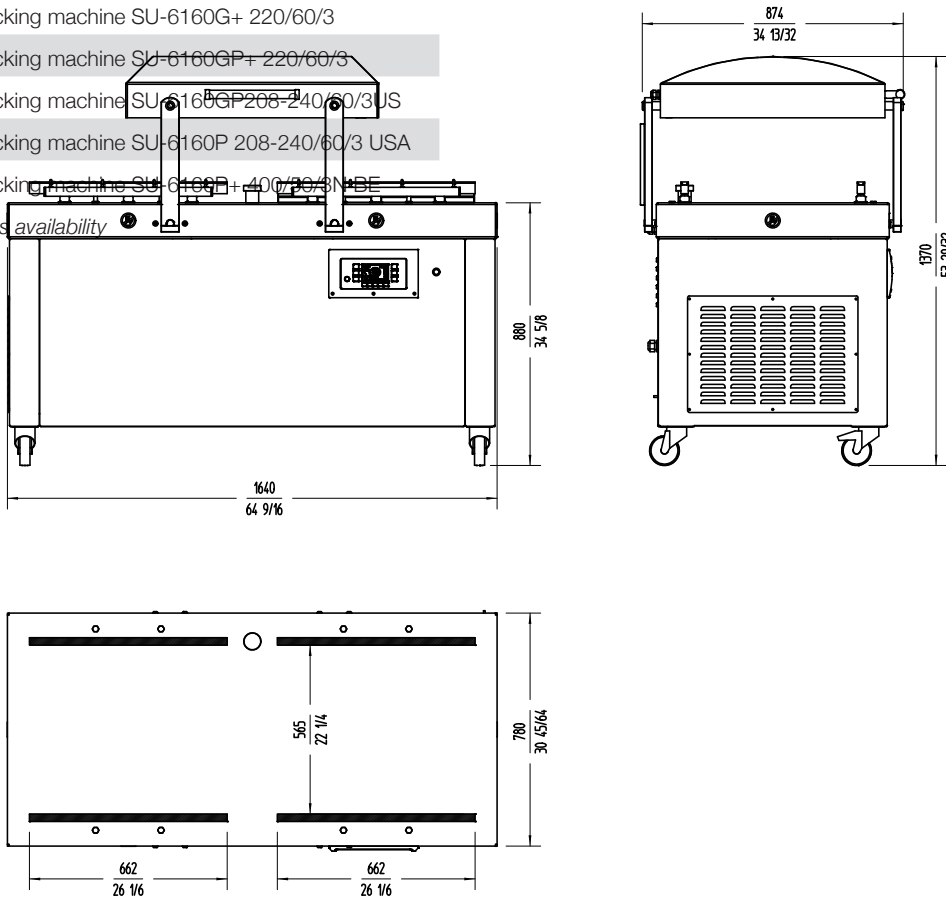
Double chamber vacuum packing machine. 155 m³/h.



AVAILABLE MODELS

- 1141050 Vacuum packing machine SU-6160 400/50-60/3N
- 1141051 Vacuum packing machine SU-6160 400/50-60/3N -C-
- 1141052 Vacuum packing machine SU-6160G 400/50-60/3N
- 1141078 Vacuum packing machine SU-6160G 400/50-60/3N C
- 1141053 Vacuum packing machine SU-6160P 400/50-60/3N
- 1141054 Vacuum packing machine SU-6160+ 400/50-60/3N
- 1141055 Vacuum packing machine SU-6160P+ 400/50-60/3N
- 1141056 Vacuum packing machine SU-6160GP 400/50-60/3N
- 1141057 Vacuum packing machine SU-6160G+ 400/50-60/3N
- 1141058 Vacuum packing machine SU-6160GP+ 400/50-60/3N
- 1141060 Vacuum packing machine SU-6160 220/60/3
- 1141061 Vacuum packing machine SU-6160 220/60/3 -C-
- 1141062 Vacuum packing machine SU-6160G 220/60/3
- 1141063 Vacuum packing machine SU-6160P 220/60/3
- 1141064 Vacuum packing machine SU-6160+ 220/60/3
- 1141065 Vacuum packing machine SU-6160P+ 220/60/3
- 1141066 Vacuum packing machine SU-6160GP 220/60/3
- 1141067 Vacuum packing machine SU-6160G+ 220/60/3
- 1141068 Vacuum packing machine SU-6160GP+ 220/60/3
- 1141071 Vacuum packing machine SU-6160GP 208-240/60/3 US
- 1141070 Vacuum packing machine SU-6160P 208-240/60/3 USA
- 1141075 Vacuum packing machine SU-6160P+ 400/50/3N BE

* Ask for special versions availability



FOOD PRESERVATION AND SOUS-VIDE
VACUUM PACKING MACHINES - "SENSOR ULTRA" LINE

sammic | www.sammic.com
Food Service Equipment Manufacturer

Polígono Basarte, 1. phone +34 943 15 72 36
20720 Azkoitia, Spain sales@sammic.com



Project	Date
Item	Qty
Approved	

product sheet
updated 04/03/2022