

1

2

3

4

DOC. NO.:

A

39	XBM238A-1-07	量杯 Water cup	1	PP /透明	
38	ICE1518-60-05	电源线 power cord	1	H05W-F360, 75mm <sup>2</sup> /黑/总长1.74m	
37	K115-10-15	手瓢按钮 button for spade	1	ABS750	
36	K115-10-16	手瓢 hand spade	1	ABS750	
35	K115-10-22	电源线压扣 power cord buckle	1	PP 4012	
34	K115-30-01	蒸发器组件 evaporator	1		
33	K115-10-17	制冷桶固定框 fixup circle	1	PP4012	
32	ICE1518-10-02	底座 base	1	ABS750	
31	ICE1018-60-06	套线 wiring	1	UL1015/VW-1/105°C/20AWG	
30	ICE1018-60-08	连接线束power supply wiring	1	UL1015/VW-1/105°C/20AWG	
29	WC0-0116-40-05	胶脚 rubber foot	2	丁晴橡胶 / 邵氏50/黑色	
28	ICE1518-60-03	变压器 transformer	1	输入220-230V/50Hz class II /输出10V/650mA/class 105	
27	ICE1518-30-01	排气管 vent pipe	1	OD φ8 / ID φ6X352mm / TP2	
26	K115-10-20	压缩机 compressor	1	AES45DW/220~240V/50HZ/R134a	
25	K115-30-06	封尾管 envelop pipe	1	OD φ6 / ID φ4.5X70mm	
24	KI10B-60-02	12025轴流风扇	1	DC12025SEMB DC12V/0.45A/ 5.4W/2500±100r/min	
23	ICE1518-30-02	冷凝器组件 cooler	1		
22	KI10-30-03	干燥过滤器 dry filler	1	φ19X95mm (R134a专用型)	
21	KI10-60-06	感温头 temperature sensor	1	105°C/26WGX2C/L=720mm R=10K	
20	KI10-10-08	电器盒 electrical box	1	PPFB51/94V-2级	
19	ICE1518-60-01	电源板 power pcb	1	220-240Vac 50Hz	

A

18	K115-20-01	制冷桶 refrigeration bucket	1	φ315x1.0mm铝板	
17	K115-20-04	装料桶 load bucket	1	φ300X1.5mm铝板	
16	K115-10-14	搅拌扇叶 mix round leaf	1	POM F20-03	
15	ICE1518-40-01	密封圈 airproof circle	1	硅胶 透明原色/邵氏60-70度	
14	K115-20-02	装料桶手提杆 lift with hand	1	不锈钢丝 stainless /φ3mm	
13	ICE1018-10-10	电机底座 motor base	1	POM F20-03	
12	ICE1018-10-08	上插座 up socket	1	PBT+15%GF/阻燃	
11	ICE1018-20-03	接地插片 insert piece erath	1	黄铜/镀银/t=2	
10	ICE1018-20-02	插片 insert piece	4	黄铜/镀银/t=2	
9	ICE1018-60-03	搅拌电机 mix motor	1	220-240V/50Hz/20W (加感温头)	
8	ICE1518-10-05	电机罩 motor cover	1	PP4012	
7	ICE1528-60-01	控制板 control pcb	1	AC 10V	
6	ICE1528-80-01	面膜 face	1	PET t=0.3mm	
5	K115-10-12	进料口小盖 small cover	1	PC2858/透明	
4	K115-10-03	电机透明盖 motor clarity cover	1	PC2858/透明	
3	ICE1528-20-01	不锈钢面板 stainless faceplate	1	SUS430 t0.4mm	
2	ICE1528-20-02	不锈钢侧面板 stainless sideplate	1	SUS430 t0.4mm	
1	ICE1528-10-01	外壳 enclosure	1	ABS750	
ITEM	DWG. NO.	NAME	QTY	MAT'L & SPEC	REMARK
ZHONGSHAN DONLIM WEILI ELECTRICAL APPLIANCES CO., LTD					
MODEL: ICE-1528 ICE CREAM 冰淇淋机			PART. NO.:		
TITLE: 爆炸图清单 COMPONENTS LIST			DWG. NO.:ICE-1528-00-00		
MAT'L:			PREPARED BY:	DATE:	REV: A
SCALE: NO			CHECKED BY:	DATE:	
SHEET: 2 of 2			STANDARD BY:	DATE:	
UNITS: mm			REVIEWED BY:	DATE:	
FRAME: A4			APPROVED BY:	DATE:	

1

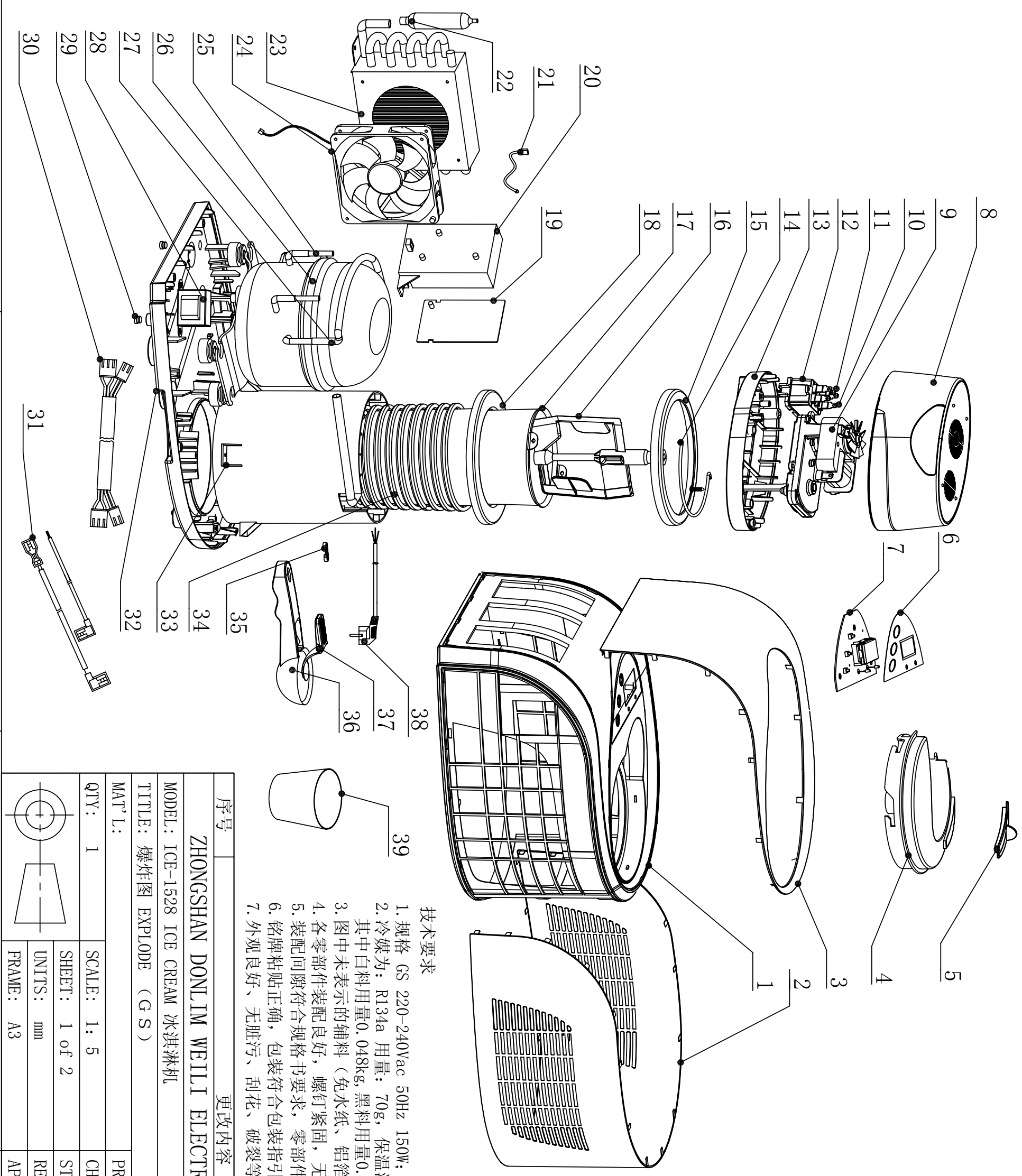
2

3

Form No.07-151-A

D

D



技术要求

1. 规格 GS 220-240Vac 50Hz 150W;
2. 冷媒为: R134a 用量: 70g, 保温泡层: R141b组合聚醚 (PU); 其中白料用量0.048kg, 黑料用量0.042kg, 泡料填充层的平均密度在32-35Kg/m<sup>3</sup>;
3. 图中未表示的辅料 (免水纸、铝箔纸、焊锡扎带等) 详见BOM;
4. 各零部件装配良好, 螺钉紧固, 无滑牙、扫头等缺陷;
5. 装配间隙符合规格书要求, 零部件不得出现翘曲、变形等缺陷;
6. 铭牌粘贴正确, 包装符合包装指引等要求;
7. 外观良好、无脏污、刮花、破裂等不良现象。

序号	更改内容		ECN编号
ZHONGSHAN DONLIM WEILI ELECTRICAL APPLIANCES CO., LTD			
MODEL:	ICE-1528 ICE CREAM 冰淇淋机	PART. NO:	
TITLE:	爆炸图 EXPLODE (G S)	DWG. NO:	ICE-1528-00-00
MAT'L:		PREPARED BY:	DATE:
QTY:	1	CHECKED BY:	DATE:
		STANDARD BY:	DATE:
		REVIEWED BY:	DATE:
		APPROVED BY:	DATE: