

UNLESS OTHERWISE SPECIFIED:
 DIMENSIONS ARE IN MILLIMETERS
 TOLERANCES: LINEAR: +/-0.2mm
 ANGULAR: +/-0.5°

DESCRIPTION: Fria Font - 2 button HCS 247mm

DWG NO.: 1000868

MATERIAL:

DRAWN BY

SF

27/05/20

APPROVED BY

DW

27/05/20

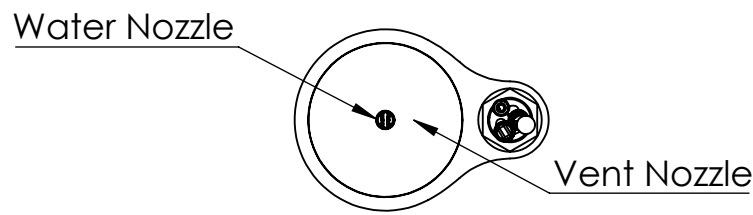
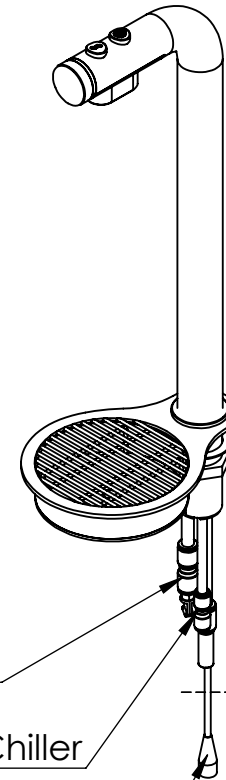
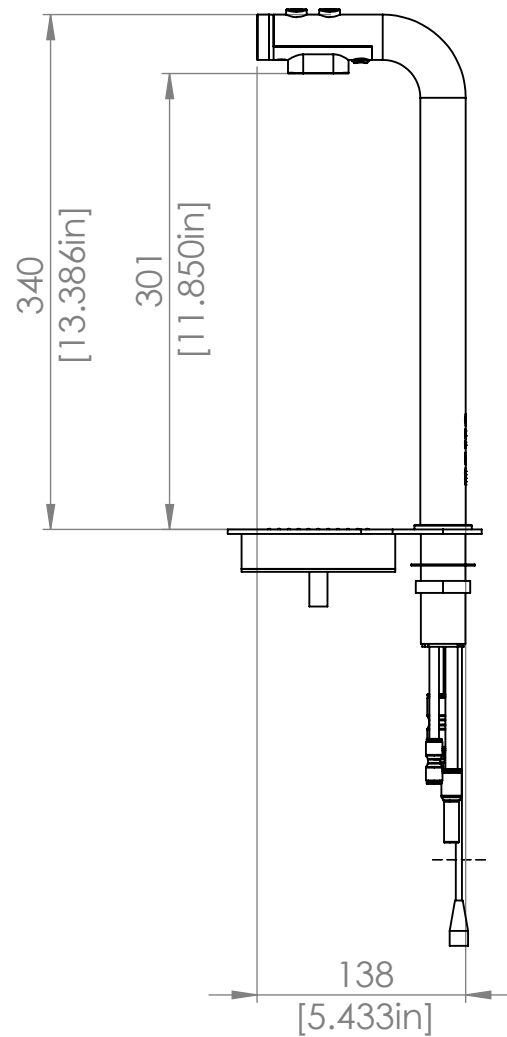
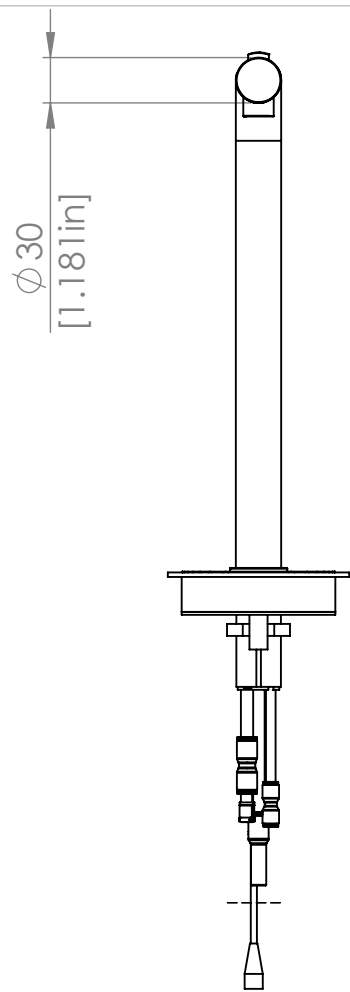
REVISION

A

CO:

538

SCALE: 1:20



UNLESS OTHERWISE SPECIFIED:
 DIMENSIONS ARE IN MILLIMETERS
 TOLERANCES: LINEAR: +/-0.2mm
 ANGULAR: +/-0.5°

DESCRIPTION:	Fria Font - 2 button HCS 305mm	DRAWN BY	SF	27/05/20
DWG NO.:	1000869	APPROVED BY	DW	27/05/20
MATERIAL:		REVISION	a	CO: 538
				SCALE: 1:20