



CB 246

LIST OF THE EXPLODED VIEWS

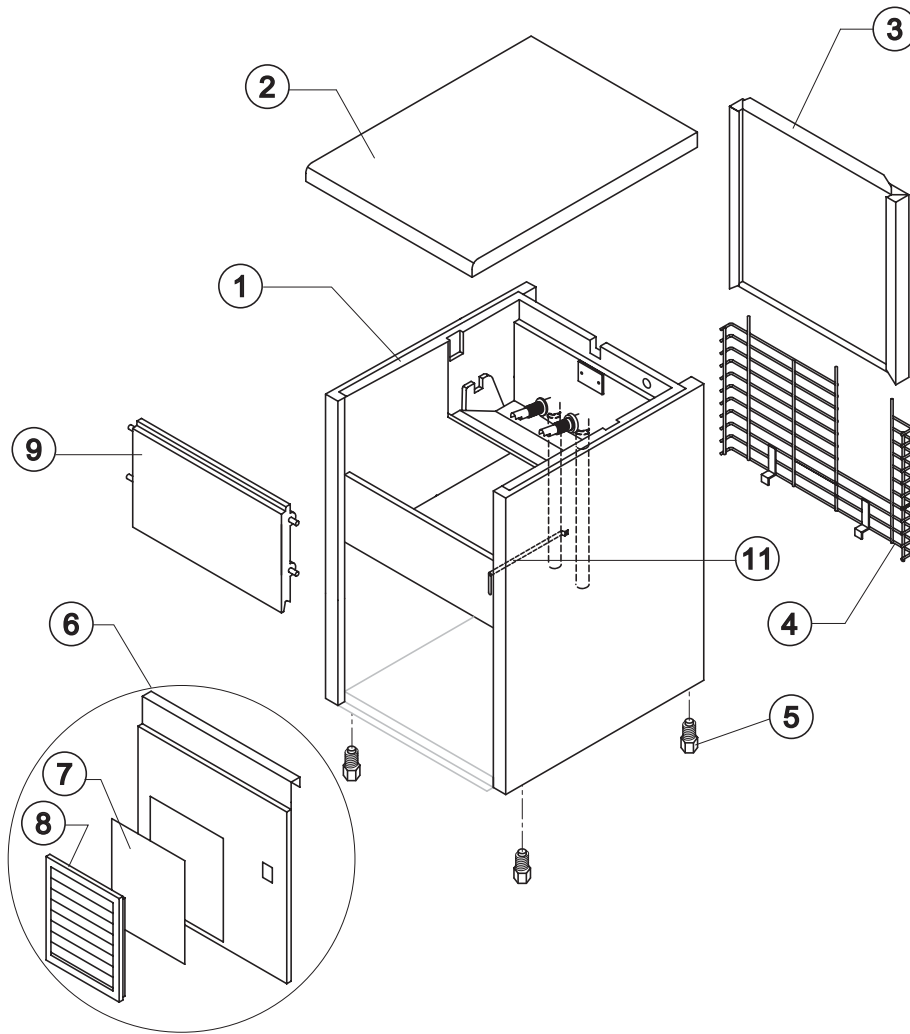


SHELL ASSY

COOLING SYSTEM

HYDRAULIC CIRCUIT

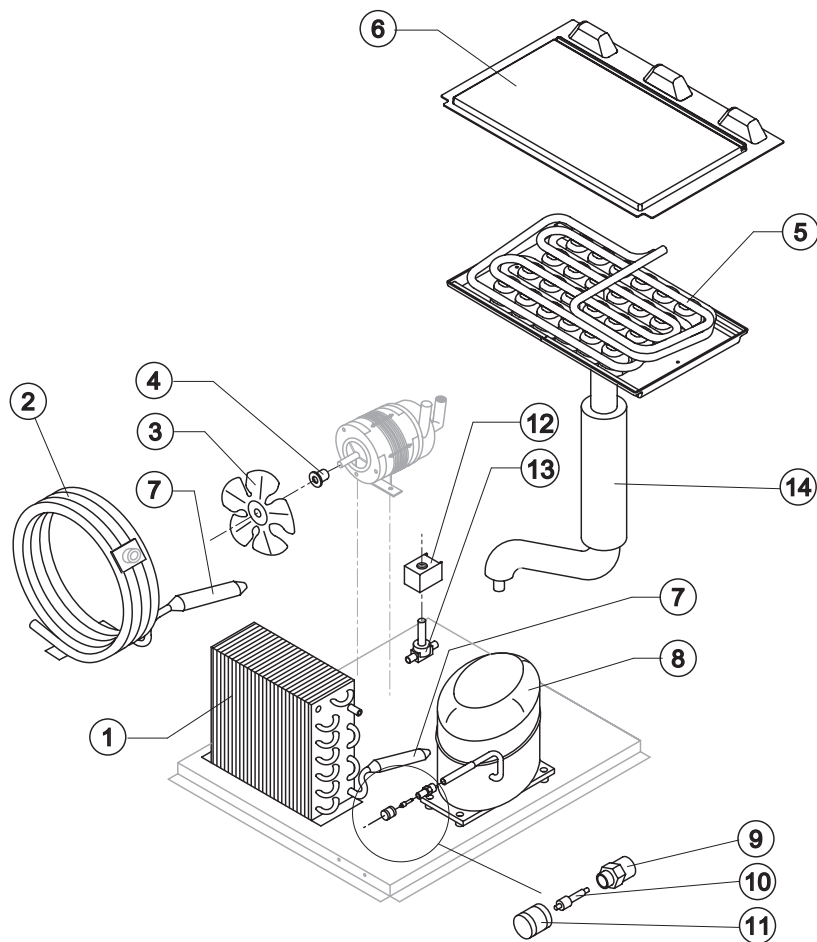
ELECTRIC PARTS



Ref.	Spare Description	Code
1	Foamed Cabinet Assy	See Table
2	Top Assembly	C22693
3	Rear Panel Assembly	C21180
4	Rear Grid	D12002
5	Foot	Current Version 10557
5	Foot	Till s/n. 708902 10017
6	Front Grid Panel	C22502
7*	Filtering Panel	18106
8	Frame + Grid & Filter	C10205
9	Door Assembly	C10303
11	Bulb-holder Pipe	20520

Ref. 1 - Foamed Cabinet Assy

Condensation	Code
Air	C11002A
Water	C11002W



Common Parts

Ref.	Spare Description	Code
3	Sucking Fan	10213
4	Fan Fixing Hub	10014
5	Evaporator	See Table
6	Evaporator Cover Panel	from s/n. 225082
7*	Molecular Drier	14009
8	Compressor	See Table
9	Vacuum-Charge Valve Body	14007
10*	Vacuum-Charge Valve Device	14005
11*	Vacuum-Charge Valve Plug	14006
12*	Hot Gas Valve Coil	See Table
13*	Hot Gas Valve Body	20410
14	Suctin Line	for the spare parts code give us the s/n.

Parts For Air-Cooled Version Only

Ref.	Spare Description	Code
1	Air Condenser	20534

Parts For Water-Cooled Version Only

Ref.	Spare Description	Code
2	Water Condenser	14057

Ref. 5 - Evaporator

Kind of Cube	Codice
18 g. (Standard)	D10045
33 g.	D10320
13 g.	D10416

Ref. 8 - Compressor

Voltage	Codice
T11	23886
T12	23494A
T13	231036

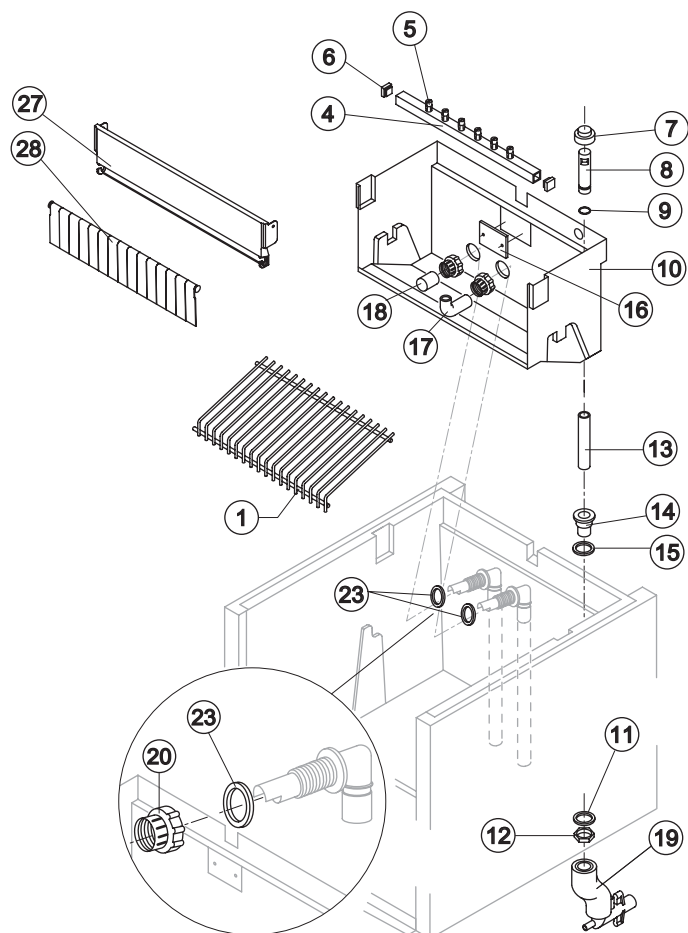
Ref. 12* - Hot Gas Valve Coil

Voltage	Codice
T11	231294
T12	231294
T13	23256



CB 246

HYDRAULIC CIRCUIT



Common Parts

Ref.	Spare Description	Code
1	Ice Cubes Slide	See Table
4*	Sprayers Bar Assembly	See Table
5	Sprayer	D20002
6	Sprayer Bar Plug	10012
7*	Overflow Cap	10305
8*	Overflow Pipe	10133
9*	OR Gasket for Overflow Pipe	20233
10	Inner Basin	10252
11	Semirigid Polyethylene Gasket	13007
12	Bin Discharge Nut	10096
13*	Overflow Pipe	Current Version 13105
14	Water Outlet Nipple	10472
15	Silicone Gasket	13006
16	Slide Keep Plate	10009
17	Sprayers Feeding Pipe	13005
18*	Pump Suction Filter	20005
20	Fittings Locking Ring	10405
21	Pump Suction/Delivery Pipe	13136
22	Fitting of the Pump Suction/Delivery Pipes	10404
23	Gasket for Pump Suction/Delivery Pipes	13143
27	Flags ABS Support	from s/n. 379504 10529
28	Rod with Flags	Current Version C10533

Ref. 1 - Ices Cube Slide

Kind of Cube	Code
18 g. (Standard)	D12001
33 g.	D12066
13 g.	D12046

Ref. 4* - Sprayers Bar Ass.

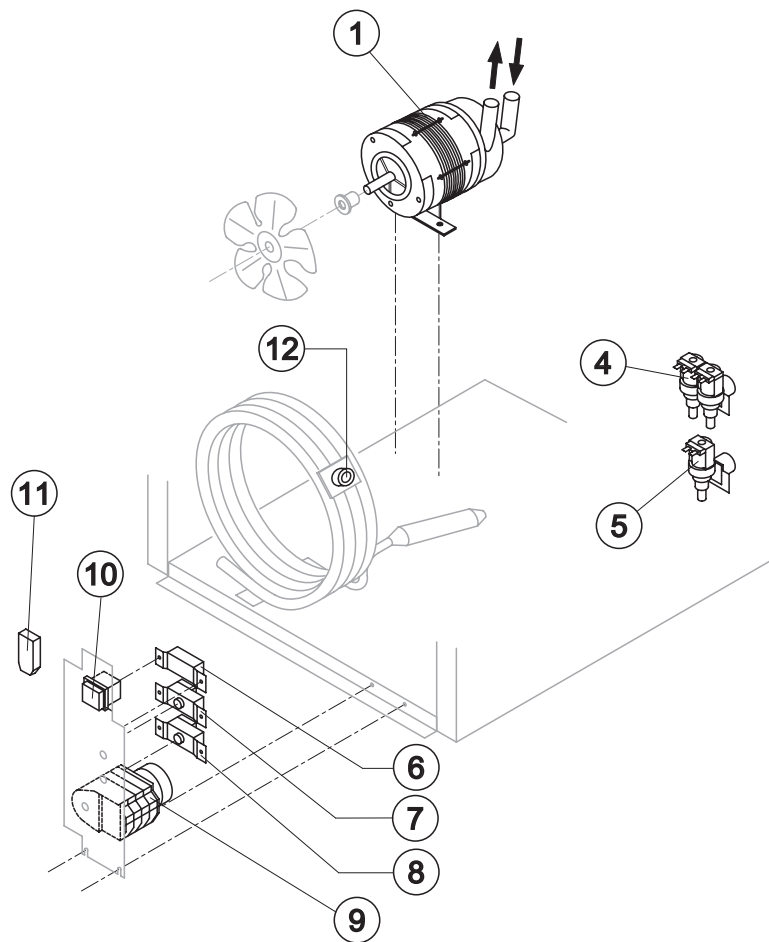
Kind of Cube	Code
18 g. (Standard)	C20028
33 g.	C20530
13 g.	C20289

Parts for Air Cooled Version Only

Ref.	Spare Description	Code
19	Discharges Manifold	C10006

Parts for Water Cooled Version Only

Ref.	Spare Description	Code
19	Discharges Manifold	C26452



Common Parts

Ref.	Spare Description	Code
1*	Pump Assy	See Table
7*	Bin Thermostat	R23005
8*	Evaporator Thermostat	R23591
9*	Timer	See Table
10*	Green Light Switch (On-Off)	23327

Parts for Air Cooled Version Only

Ref.	Spare Description	Code
5*	1 Way- Water Inlet Valve	See Table

Parts for Water Cooled Version Only

Ref.	Spare Description	Code
4*	2 Ways Water Inlet Valve	See Table
6*	Condenser Pressure Switch	See Table
11	Anti Radio Interference Filter	Only 220V/50-60Hz C23457
12*	Safety Thermostat	C23114

Rev. 12 - 14/05/2018

Ref. 1* - Pump Assy

Voltage	Code
T11	C23377
T12	C23377
T13	C23663

Ref. 4*-2 Ways- Water Inlet Valve

Voltage	Code
T11	23542
T12	23542
T13	23322

Ref. 5* - 1 Way- Water Inlet Valve

Voltage	Code
T11	23497
T12	23497
T13	23410

Ref. 6* - Cond. Pressure Switch

Voltage	Code
T11	23175
T12	23175
T13	23175

Ref. 9* - Timer

Voltage	18g Cube	33g Cube	13g Cube
T11	23222	23248	23247
T12	231078	231080	231077
T13	23259	23786	23833