

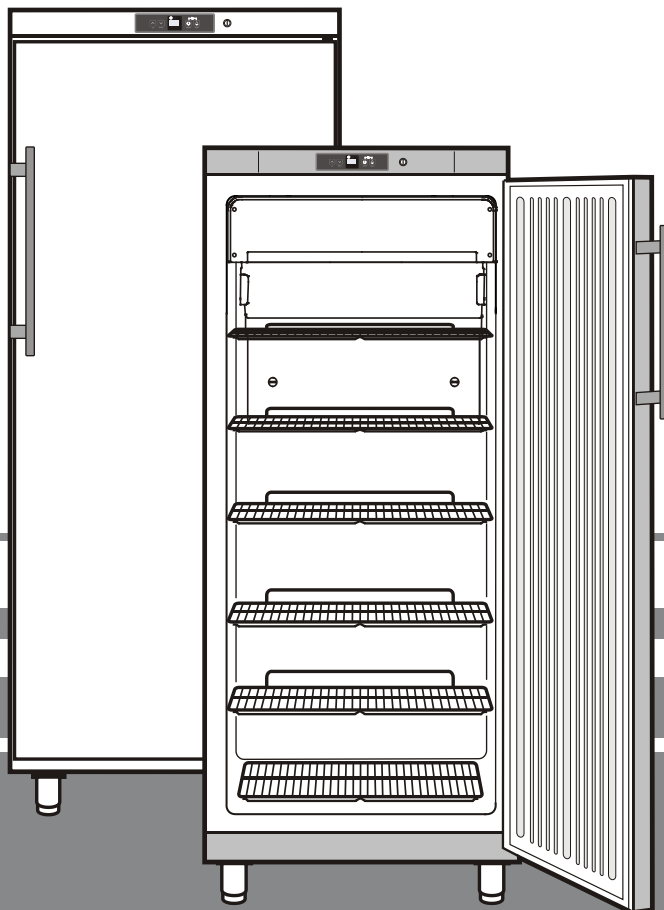
Operating instructions

Freezer

Read the operating instructions before switching on for the first time

Page 8

GB



7082 215-00

GGv 1212

LIEBHERR

Disposal notes

The appliance contains reusable materials and should be disposed of properly - not simply with unsorted household refuse. Appliances which are no longer needed must be disposed of in a professional and appropriate way, in accordance with the current local regulations and laws.



When disposing of the appliance, ensure that the refrigerant circuit is not damaged to prevent uncontrolled escape of the refrigerant it contains (data on type plate) and oil.

- Disable the appliance.
- Pull out the mains plug.
- Cut through the connection cable.

WARNING

Danger of suffocation due to packing material and plastic film! Do not allow children to play with packaging material. Take the packaging material to an official collection point.

Range of appliance use

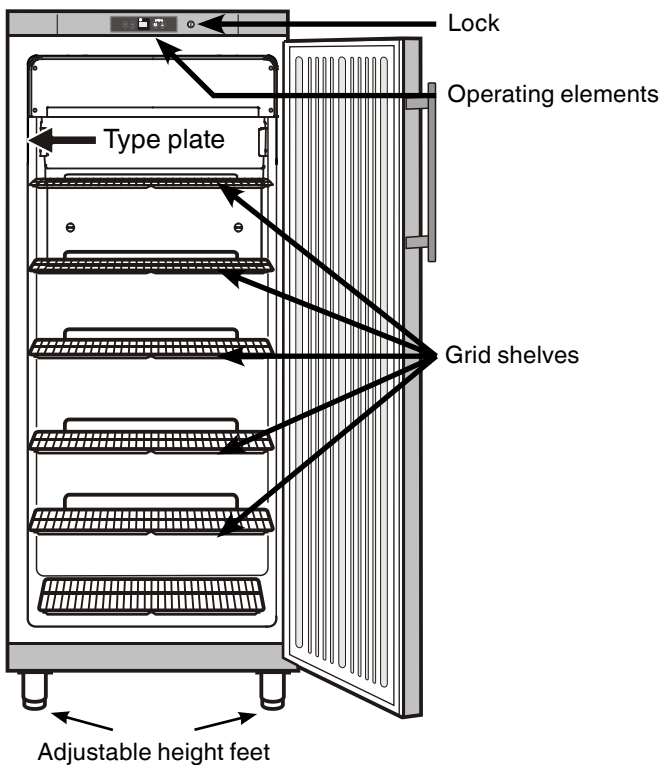
The appliance is suited only for cooling food. In the case of commercial food cooling, the pertinent statutory regulations have to be observed.

The appliance is not suited for storing and cooling pharmaceuticals, blood plasma, laboratory preparations or similar substances and products subject to the Medical Devices Directive 2007/47/EC.

Any misuse of the appliance may result in damage to or spoilage of the stored goods.

Furthermore, the appliance is unsuited for use in areas exposed to an explosion hazard.

Description of the appliance



Important

The maximum load per grid shelf is 60 kg.

Safety instructions and warnings

- To prevent injury or damage to the unit, the appliance should be unpacked and set up by two people.
- In the event that the appliance is damaged on delivery, contact the supplier immediately before connecting to the mains.
- To guarantee safe operation, ensure that the appliance is set up and connected as described in these operating instructions.
- Disconnect the appliance from the mains if any fault occurs. Pull out the plug, switch off or remove the fuse.
- When disconnecting the appliance, pull on the plug, not on the cable.
- Any repairs and work on the appliance should only be carried out by the customer service department, as unauthorised work could prove highly dangerous for the user. The same applies to changing the mains power cable.
- Do not allow naked flames or ignition sources to enter the appliance. When transporting and cleaning the appliance ensure that the refrigerant circuit is not damaged. In the event of damage, make sure that there are no ignition sources nearby and keep the room well ventilated.
- Do not stand on the plinth, drawers or doors or use them to support anything else.
- This appliance can be used by children of 8 years old and over, and also by persons with restricted physical, sensory or mental capacity or lack of experience and knowledge, if they are supervised or have been instructed on safe use of the appliance and understand the resulting risks. Children must not be allowed to play with the appliance. Cleaning and user maintenance must not be carried out by children without supervision.
- Avoid prolonged skin contact with cold surfaces or chilled/frozen food. This could cause pain, numbness and frostbite. In the case of prolonged skin contact, protective measures should be taken, e.g. gloves should be worn.
- Do not eat ice cream, particularly ice lollies or ice cubes, immediately after taking them from the freezer compartment as there is a risk of "burning" because of the very cold temperatures.

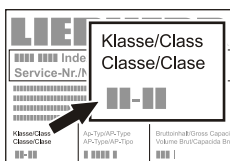
- Do not consume food which has been stored for too long, as it could cause food poisoning.
- Do not store explosives or sprays using combustible propellants such as butane, propane, pentane etc. in the appliance. Electrical components might cause leaking gas to ignite. You may identify such sprays by the printed contents or a flame symbol.
- Do not use electrical appliances inside the appliance.
- If you have a lockable appliance, do not keep the key near the appliance or within reach of children.
- The appliance is designed for use in enclosed areas. Do not operate the appliance outdoors or in areas where it is exposed to splash water or damp conditions.

Climate rating

The climate rating indicates the room temperature at which the appliance may be operated in order to achieve full refrigeration performance.

The climate rating is indicated on the type plate.

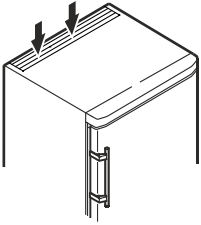
The position of the type plate is shown in the section entitled **Description of the appliance**.



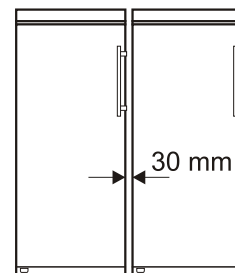
Climate rating	Room temperature
SN	+10°C to +32°C
N	+16°C to +32°C
ST	+16°C to +38°C
T	+16°C to +43°C
SN-ST	+10°C to +38°C
SN-T	+10°C to +43°C

Do not operate the appliance outside the specified room temperature range.

Setting up

- Do not place the appliance in direct sunlight or near cookers, radiators and similar sources of heat.
- The floor on which the appliance stands should be horizontal and level. Compensate for uneven floors with the adjustable feet.
- Do not cover ventilation openings or grille. 
- Standard EN 378 specifies that the room in which you install your appliance must have a volume of 1 m³ per 8 g of R 600a refrigerant used in the appliance, so as to avoid the formation of inflammable gas/air mixtures in the room where the appliance is located in the event of a leak in the refrigerant circuit. The quantity of refrigerant used in your appliance is indicated on the type plate on the inside of the appliance.
- Always install the appliance directly against the wall.

- If several appliances are installed next to each other, leave a gap of 30 mm between them. If this gap is too narrow, condensation forms between the side walls.



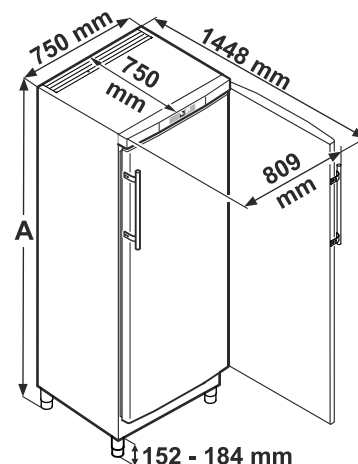
Dimensions

GGv 50

A = 1864 mm - 1896 mm

GGv 58

A = 2064 mm - 2096 mm



Noise emissions from the appliance

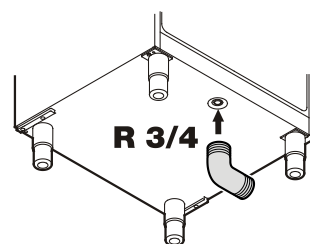
The noise level while the appliance is operating is below 70 dB(A) (relative noise level 1 pW).

Cleaning water drain opening

A drain hose with an R 3/4 connection can be fitted to the underside of the appliance.

The water which collects in the interior during cleaning can be drained off in this way.

An angled connector is supplied with the appliance.



Electrical connection

Only operate the appliance with **alternating current (AC)**.

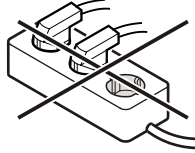
The permissible voltage and frequency are indicated on the type plate. The position of the type plate is shown in the section entitled **Description of the appliance**.

The socket must be properly earthed and protected by a fuse. The tripping current of the fuse must be between 10 A and 16 A.

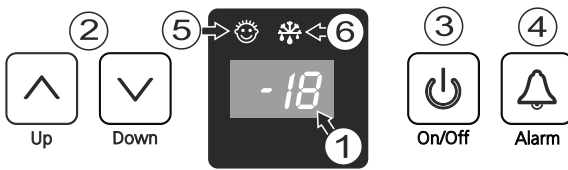
The socket must not be situated behind the appliance and must be easily accessible.

Do not connect the appliance using an extension cable or extension socket.

Do not use stand-alone inverters (conversion of d.c. to a.c./three-phase) or energy saving plugs. Risk of damage to the electronic control system!



Operating elements



- ① Temperature display
- ② Temperature setting buttons
- ③ On/Off button
- ④ Audible warning on/off button
- ⑤ Childlock
- ⑥ Appliance is defrosting.

Note

No refrigeration takes place during the defrost phase, and the operating noise changes.

Switching the appliance on and off

Switching on: Press the **ON/OFF** button so that the temperature display lights up/ flashes. When the appliance is switched on for the first time and while it is still warm, the display will contain dashes until the temperature falls below 0°C.



On/Off

Switching off: Press the **ON/OFF** button for approx. two seconds so that the temperature display goes out.

Setting the temperature

To reduce the temperature: Press the **DOWN** button.



Up



Down

To increase the temperature: Press the **UP** button.

- While you are entering the temperature, the set temperature will flash on the display.
- When you press the temperature setting buttons for the first time, the most recent setting is displayed.
- You can change the settings in increments of 1°C by briefly pressing the buttons again.
- The electronic controls will switch over automatically about 5 seconds after the last time you pressed the button, and the actual temperature in the freezer will be displayed.
- The temperature can be set at between -14°C and -28°C.

If **F3**, **F4** or **HE** appears in the display, the appliance has a fault. Consult the customer service department indicating the fault number displayed.

Audible warning signal

The appliance is equipped with an alarm function.

Audible door alarm:

This sounds when the door has been left open for longer than about 180 seconds. Press the audible warning on/off button to cancel the alarm. The alarm switches back to standby when the door is shut.



Alarm

Audible/visual temperature alarm:

It sounds when it is not cold enough in the freezer compartment. The temperature display will also flash. The audible warning device is switched off by pressing the **"ALARM"** button. The temperature display will continue to flash until the cause of the alarm has been rectified.

This can be caused by:

- the freezer door being left open for a long time, allowing warm ambient air to enter;
- a long power failure;
- a fault in the appliance.

In each case, make sure food has not thawed or perished.

Power failure FrostControl display

If **nA** appears in the display, this means that the freezer temperature has risen too high during the last few hours or days due to a power failure.



If you press the **"ALARM"** button whilst the display is reading **nA**, the highest temperature registered during the power failure will be displayed. Check the quality of the food and its suitability for consumption in case it has become too warm or even defrosted.



The highest temperature will appear for approx. 1 minute. After that, the actual temperature in the freezer will re-appear. The display can be switched off by pressing the **"ALARM"** button.



Additional functions

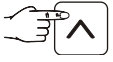

Keypad lock

The keypad lock ensures that no unintentional changes are made to the electronic control system.



Activating the keypad lock

Press  for 5 seconds. Display = 



 Display = 

 Display = 

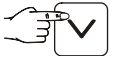

 Display = 

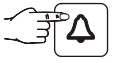

 Display = 

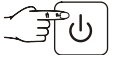

Deactivating the keypad lock

Press  for 5 seconds. Display = 

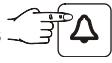

 Display = 

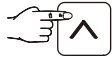

 Display = 

 Display = 



 Display = 

Adjusting the display brightness

Press  for 5 seconds. Display = 

 Display = 

 Display = 

Use buttons  and  to select the desired setting.

h1 = minimum brightness
h5 = maximum brightness

 Display = 

 Display = 



The adjusted brightness will be activated after one minute.

Note: If a button is pressed, the display lights up for one minute at maximum brightness.

Activating the defrost function manually

The appliance defrosts automatically.

If the door has been left slightly open for a long time, a layer of ice may form in the interior and on the cooling plate. The defrost function can then be activated manually.

Press  for 5 seconds. Display = 

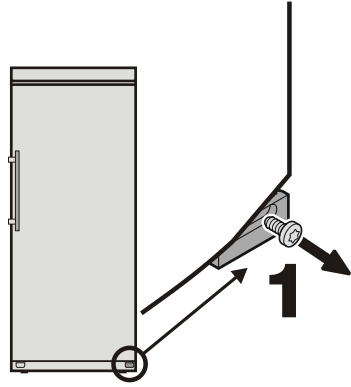
 Display = 

 Display = 

Once the appliance is defrosted, the appliance will switch back to normal mode automatically.

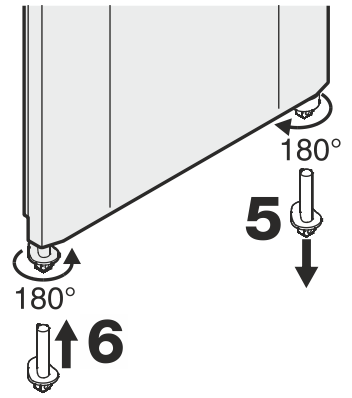
Changing over door hinges

1. Remove screw from lower hinge bracket.

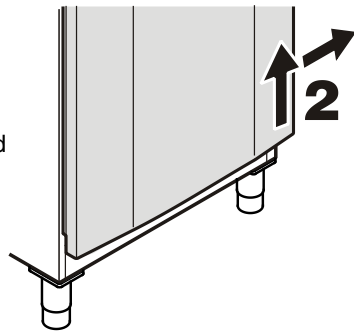


5. Turn lower hinge pin through 180° and remove.

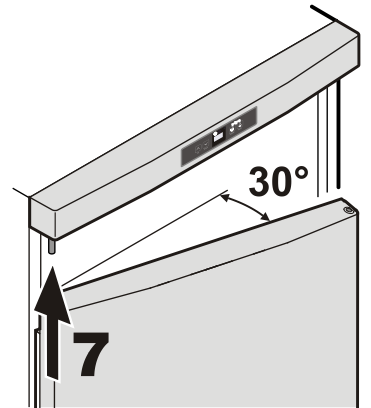
6. Insert pin on the opposite side and turn through 180°.



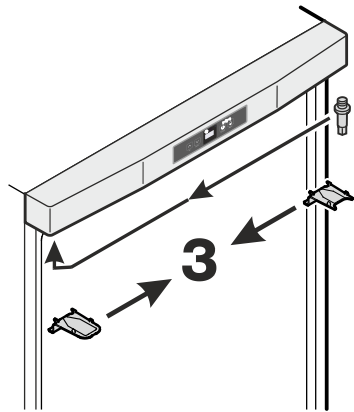
2. Lift door, tilt to the right and remove.



7. Locate door on upper pin.

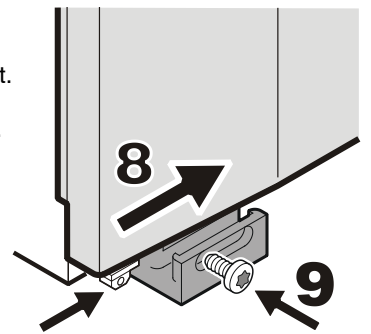


3. Transfer upper hinge components to the opposite side.

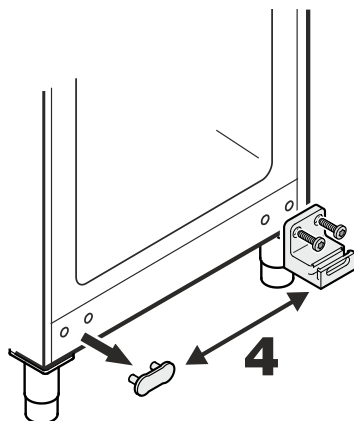


8. Tilt door inwards from the left.

9. Secure hinge pin with screw.



4. Transfer lower hinge bracket and cover plate to the opposite side.



10. Transfer handle and plugs to the opposite side of the door.

