



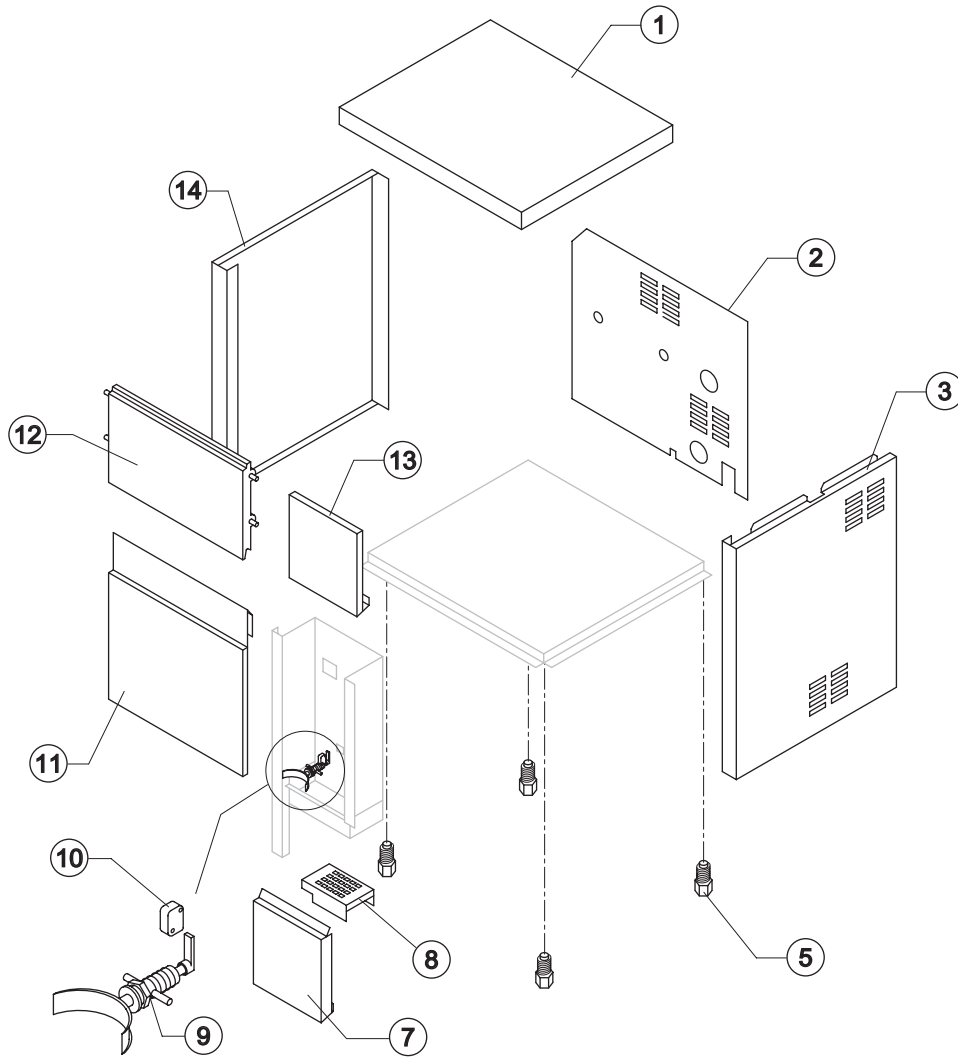
*SHELL ASSY*

*COOLING SYSTEM*

*HYDRAULIC CIRCUIT*

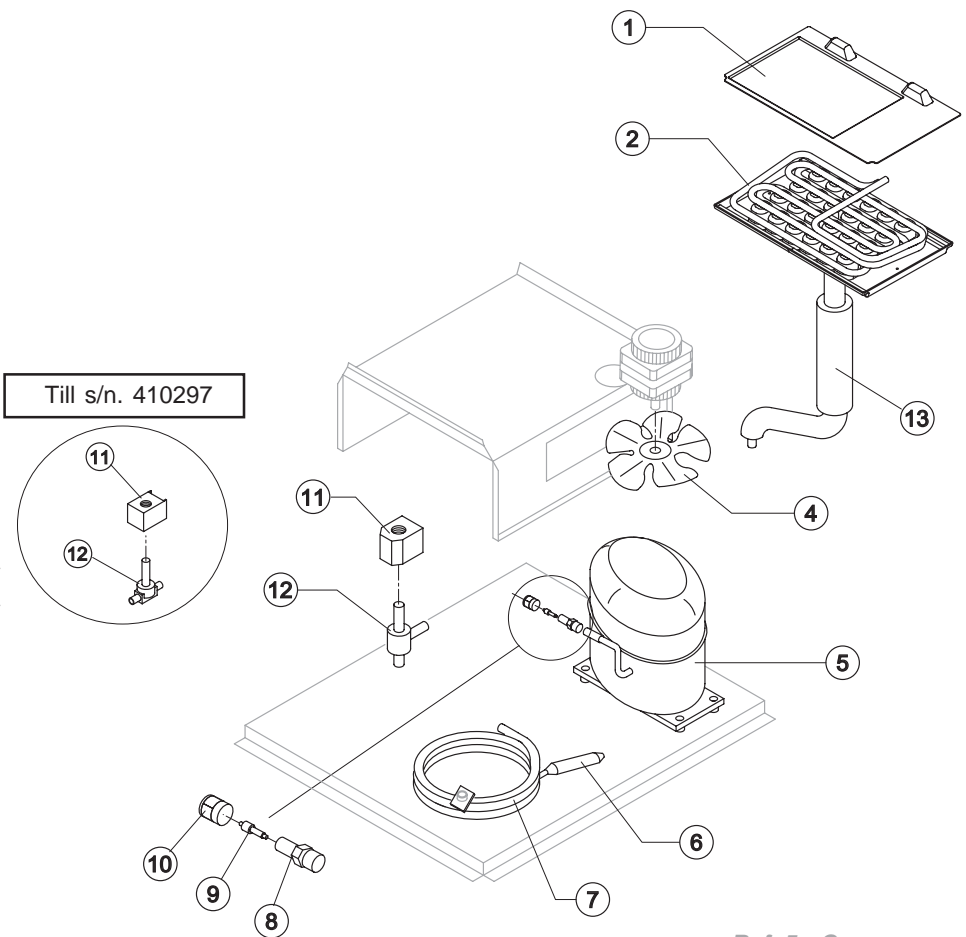
*SPRAYER PUMP*

*ELECTRIC PARTS*



Ref.	Spare Description	Code
1	Top Assembly	C22199
2	Rear Panel	21414
3	Right Side Panel	22200
5	Foot	10017
7	Basin Cover Panel	22190
8	Glass Support	22183
9*	Ice Dispenser Push Button Assembly	C26544
10*	Microswitch	23055
11	Front Panel (Bin Side)	22189
12	Dark Grey Door	10277
13	Tap Cover	22197
14	Left Side Panel	22201

Rev. 13 - 18/05/2018



Ref.	Spare Description	Code
1	Evaporator Cover Panel	From s/n. 225973 10455
2	Evaporator	D10079
4	Pressing Fan	Till s/n. 410297 20193
5	Compressor	See Table
6*	Molecular Drier	14009
7	Water Condenser	Current Version 14634
7	Water Condenser	Till s/n. 410297 14100
8	Vacuum-Charge Valve Body	14007
9*	Vacuum-Charge Valve Device	14005
10*	Vacuum-Charge Valve Plug	14006
11*	Hot Gas Valve Coil	See Table
12*	Hot Gas Valve Body	Current Version 20853
12	Hot Gas Valve Body	Till s/n. 410297 20410
13	Suctin Line	for the spare parts code give us the s/n.

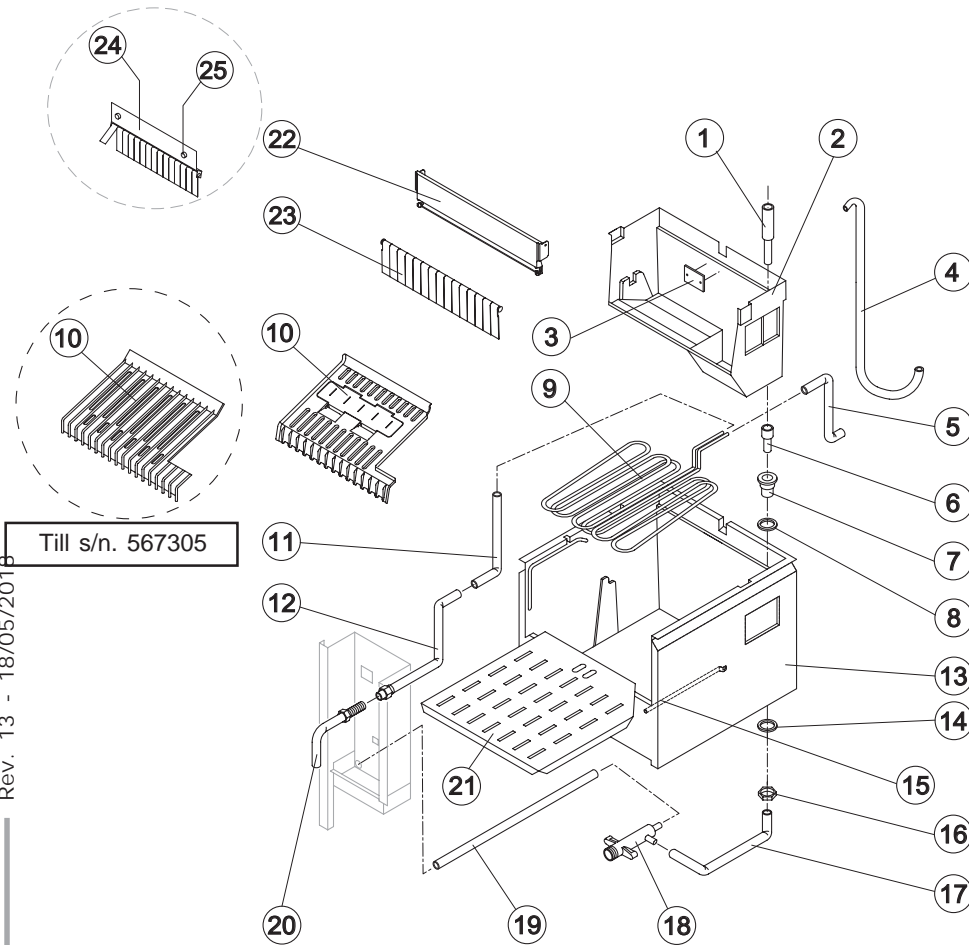
Rev. 13 - 18/05/2018

### Ref. 5 - Compressor

Tension	Code Current Version	Code Till s/n. 410297
T11	23886	23436
T12	23494A	23494
T13	-	23446

### Ref. 11\* - Hot Gas Valve Coil

Tension	Code Current Version	Code Till s/n. 410297
T11	23854	231294
T12	23854	231294
T13	-	23256

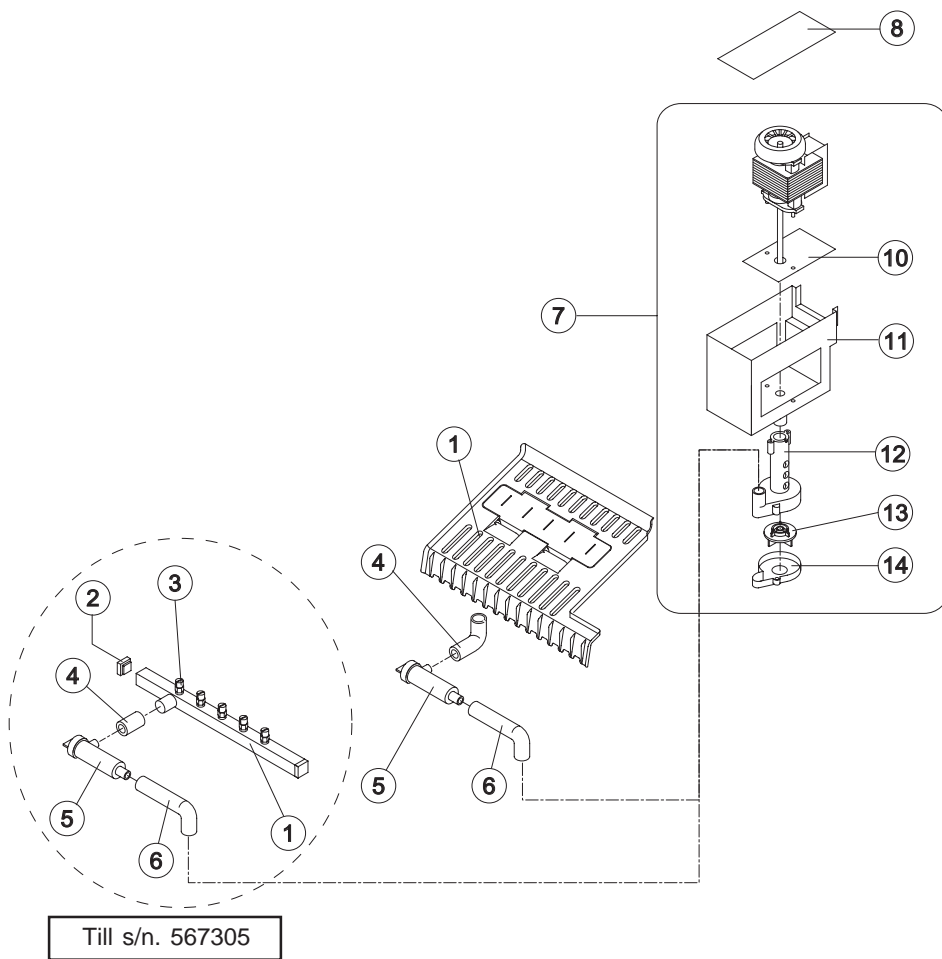


Ref.	Spare Description	Code
1*	Overflow Pipe	13028
2	Inner Basin	10064
3	Slide Keep Plate	10142
4*	Evaporator Feeding Pipe	C20535
5	Inlet Valve-Coil Connection Pipe	13156
6*	Overflow Pipe	C13045
7	Water Outlet Nipple	10472
8	Silicone Gasket	13006
9	Water Coil	14099
10	Ice Cubes Slide	Current Version C10626
10	Ice Cubes Slide	Till s/n. 567305 K10626
11	Coil-Faucet Connection Pipe	13156
12	Tap Feeding Pipe	14102
13	Foamed Bin	R11016/E
14	Semirigid Polyethylene Gasket	13007
15	Bulbe Thermostat Tube	20520
16	Bin Discharge Nut	10096
17	Bin Discharge Pipe	13044
18	Discharge Manifold	C10121
19	Dispenser Water Discharge Pipe	13043
20	Tap	20195
21	Coil Covering Grid	22188
22	Flags ABS Support	Current Version 10530
23	Rod With Flags	Current Version C10532
24	Panel with Flags	Till s/n. 380376 K10532
25	Fixing Screw	Till s/n. 380376 20009

Rev. 13 - 18/05/2018



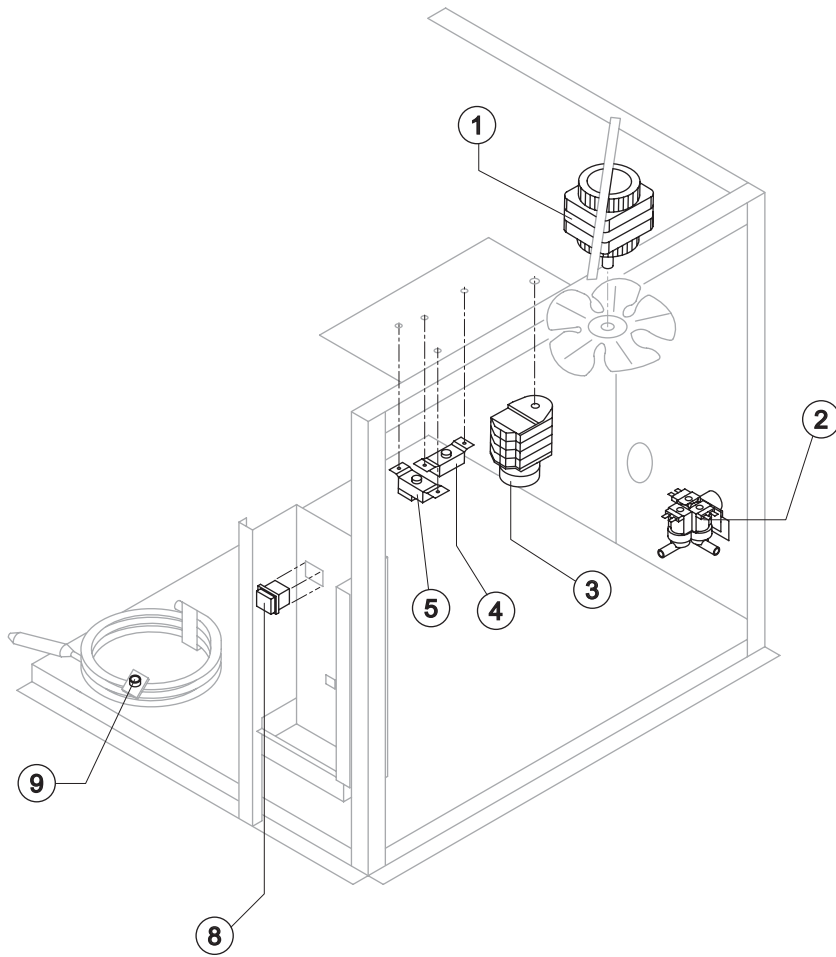
Rev. 13 - 18/05/2018



Rif.	Descrizione Ricambio		Codice
1*	Sprayers Bar Assembly	Current Version	C10626
1*	Sprayers Bar Assembly	Till s/n. 567305	K10626
2	Sprayers Bar Plug	Till s/n. 567305	10012
3	Sprayer	Till s/n. 567305	D20002
4	Filter-Sprayers Bar Connection Pipe	Current Version	13005
4	Filter-Sprayers Bar Connection Pipe	Till s/n. 567305	13056
5*	Pump Filter		10139
6	Pump-Filter Connection Pipe		13055
7*	Pump Assy	Current Version	See Table
8	Pump Cover		10647
10	Heat Dissipator		22430
11	Pump Motor Box		10073
12	Pump Body		10065
13	Pump Imeller		10066
14	Diffusor		10067

### Ref. 7\* - Pump Assy

Tension	Code Current Version	Code Till s/n. 410297
T11	C23858	C23076
T12	C23892	C23270
T13	-	C23271



Ref.	Spare Description	Code
1	Fan Motor	Till s/n. 410297
2*	3 Ways- Water Inlet Valve	See Table
3*	Timer	See Table
4*	Bin Thermostat	R23005
5*	Evaporator Thermostat	R23591
8*	Green Light Switch (on-Off)	23327
9*	Safety Thermostat	C23114

### Ref. 1 - Fan Motor

Tension	Code
T11	23029
T12	23029
T13	23683

### Ref. 2\* - 3Ways- Water Inlet

Tension	Code
T11	23144
T12	23144
T13	23269

### Ref. 3\* - Timer

Tension	Code
T11	23247
T12	231077
T13	23258