



CB 1565

LIST OF THE EXPLODED VIEWS



SHELL ASSY CB 1565A / CB 1565W

SHELL ASSY CB 1565A DP

COOLING SYSTEM

HYDRAULIC CIRCUIT CB 1565A / CB 1565W

HYDRAULIC CIRCUIT CB 1565A DP

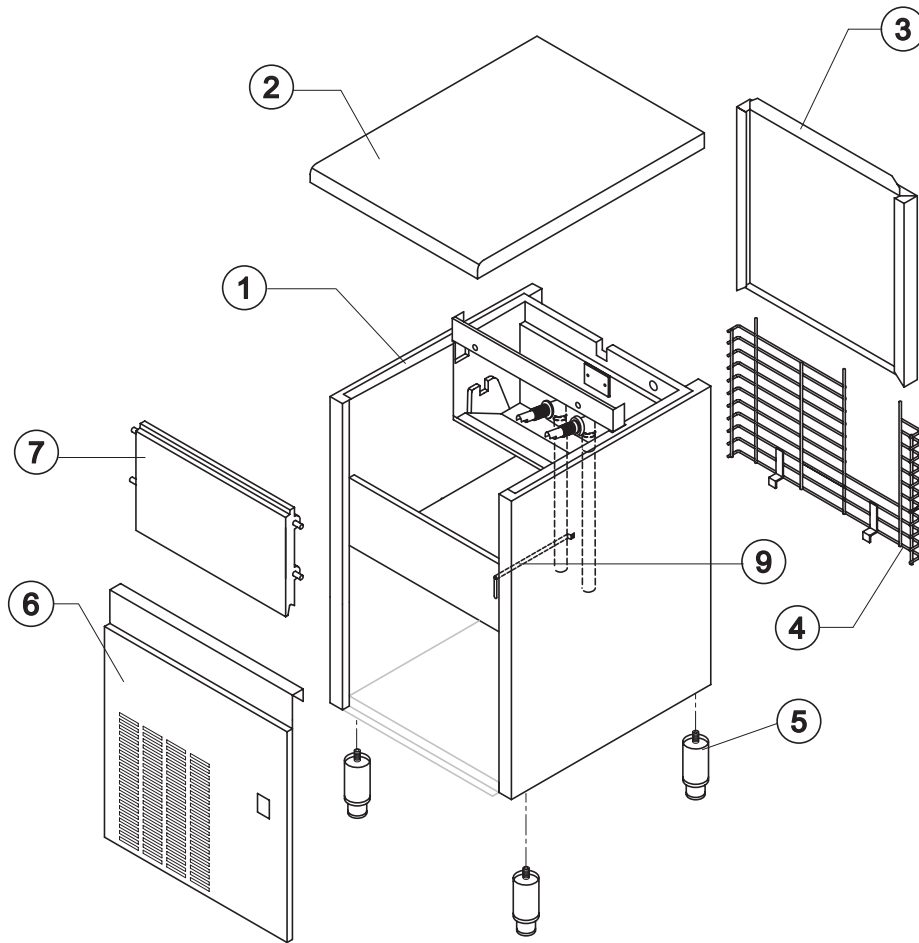
ELECTRIC PARTS



CB 1565

SHELL ASSY

CB1565A / CB 1565W



Ref.	Spare Description	Code
1	Foamed Cabinet Assy	See Table
2	Top Assembly	C22688
3	Rear Panel Assembly	C21209
4	Rear Grid	D12021
5	Adjustable Stainless Steel Foot	20613
6	Front Grid Panel	22548
7	Door Assy	C10275
9	Bulbe-holder Pipe	20521

Ref. 1 - Foamed Cabinet Assy

Condensation	Code
Air	C11086A
Water	C11086W

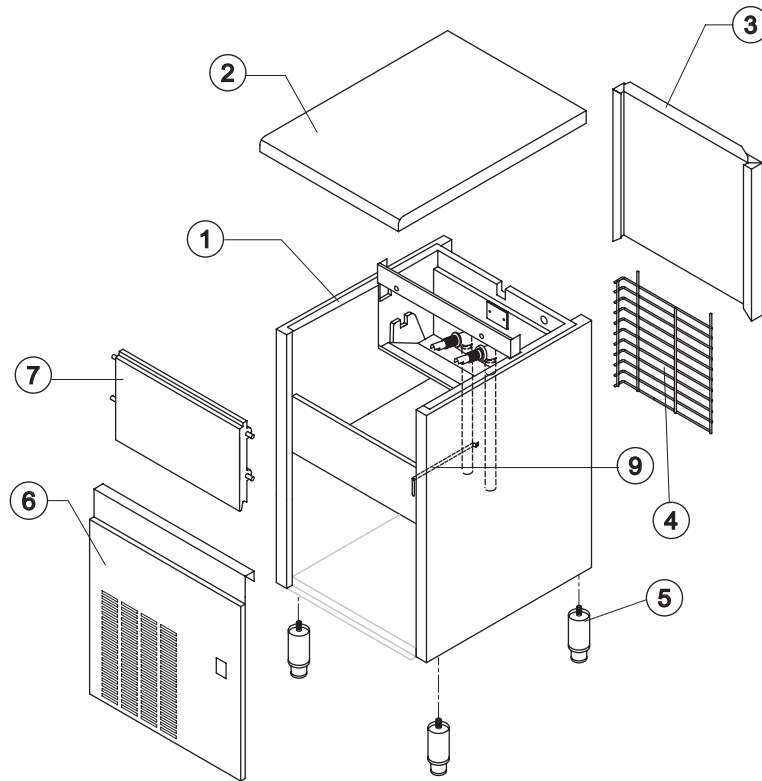
Rev. 14 - 26/03/2018



CB 1565

SHELL ASSY

CB1565A DP



Ref.	Spare Description	Code
1	Foamed Cabinet Assy	C11086DP
2	Top Assembly	C22688
3	Rear Panel Assembly	C21209
4	Rear Grid	D12103
5	Adjustable Stainless Steel Foot	20613
6	Front Grid Panel	22548
7	Door Assy	C10275
9	Bulbe-holder Pipe	20521



CB 1565

COOLING SYSTEM

CB 1565A / CB 1565W / CB 1565A DP

Common Parts

Ref.	Spare Description	Code
4	Sucking Fan	10213
5	Fan Fixing Hub	10014
6	Evaporator Cover Panel	10450
7	Evaporator	See Table
8*	Solid Core Drier	14084
9	Compressor	See Table
11	Vacuum-Charge Valve Body	14007
12*	Vacuum-Charge Valve Device	14005
13*	Vacuum-Charge Valve Plug	14006
14*	Hot Gas Valve Coil	See Table
15*	Hot Gas Valve Body	20409
16	Suctin Line	for the spare parts code give us the s/n.

Parts for Air-Cooled Version Only

Ref.	Spare Description	Code
1	Air Condenser	20924
1	Air Condenser	Till s/n. 438911 20426
3	Sucking Fan	20407
3	Sucking Fan	Solo T13 20671

Parts for Water-Cooled Version Only

Ref.	Spare Description	Code
2	Water Condenser	14081
10	Pressostatic Valve	20210

Ref. 7 - Evaporator

Kind of Cube	Code
18 g. (Standard)	D10214
33 g.	D10092
13 g.	D10126
42 g.	D10477
60 g.	D10555

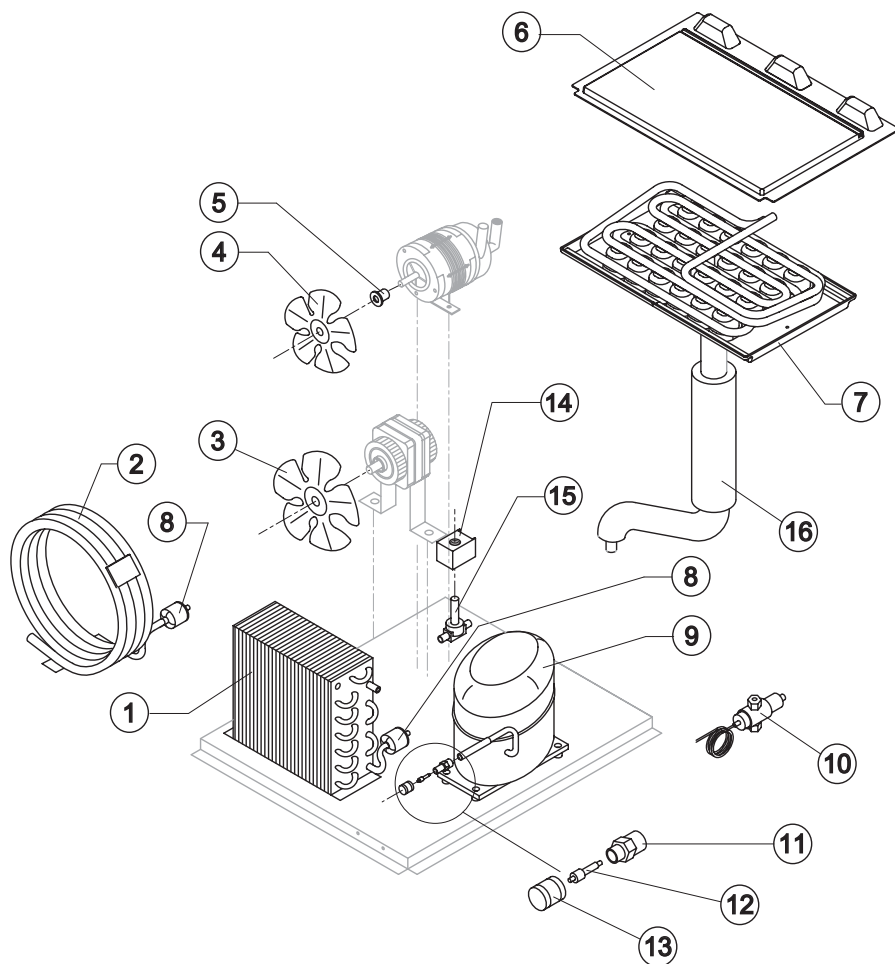
Ref. 9 - Compressor

Voltage	Code
T11	23878
T12	23874
T13	23586

Ref. 14* - Hot Gas Valve Coil

Voltage	Code
T11	231294
T12	231294
T13	23256

Rev. 14 - 26/03/2018

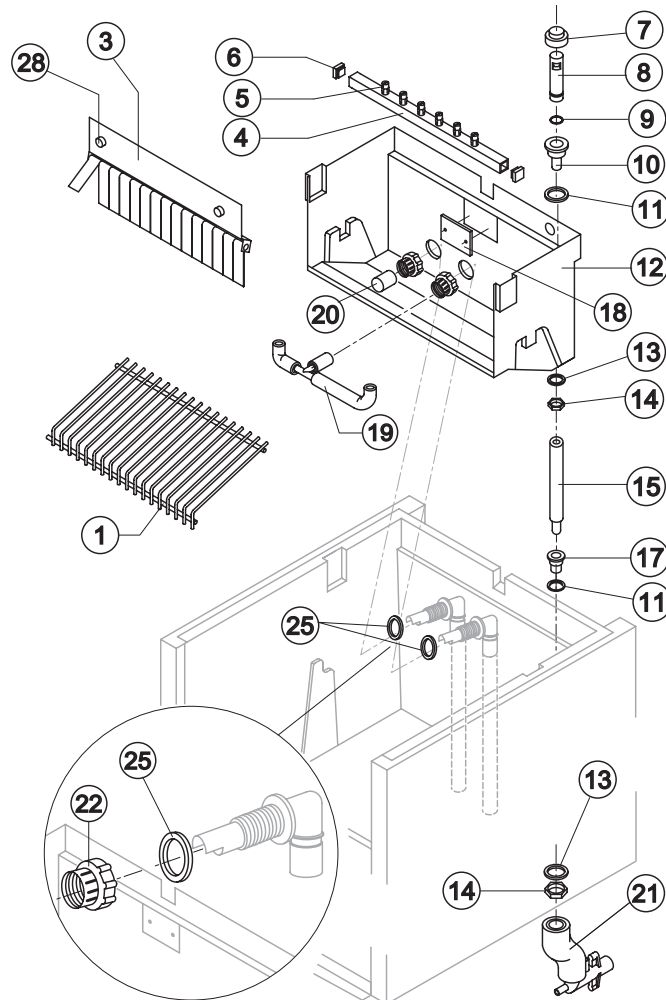




CB 1565

HYDRAULIC CIRCUIT

CB 1565A / CB 1565W



Ref. 1 - Ice Cube Slide

Kind of Cube	Code
18 g. (Standard)	D12022
33 g.	D12033
13 g.	D12040
42 g.	D12033
60 g.	D12084

Ref. 4* - Sprayers Bar Ass.

Kind of Cube	Code
18 g. (Standard)	C20144
33 g.	C20157
13 g.	C20200
42 g.	C20157
60 g.	C20941

Common Parts

Ref.	Spare Description	Code
1	Ice Cube Slides	See Table
3	Flags Support Assy	C22134
4*	Sprayers Bar Assembly	See Table
5	Sprayer	D20002
6	Sprayers Bar Plug	10012
7*	Overflow Cap	10305
8*	Overflow Pipe	10133
9*	OR Gasket for Overflow Pipe	20233
10	Overflow Pipe Nipple	10471
11	Silicone Gasket	13006
12	Inner Basin	10759
13	Semirigid Polyethylene Gasket	13007
14	Bin Discharge Nut	10096
15*	Overflow Pipe Assembly	13155
17	Water Outlet Nipple	10472
18	Slide Keep Plate	Till s/n. 233769 10009
19	Sprayers Bar Pipe Connection Assy	C13036
20*	Pump Suction Filter	20005
22	Fitting Locking Ring	10405
25	Gasket for Pump Suction/Delivery Pipes	13143
28	Fixing Screw	20009

Parts for Air Cooled Version Only

Ref.	Spare Description	Code
21	Discharges Manifold	C10006

Parts for Water Cooled Version Only

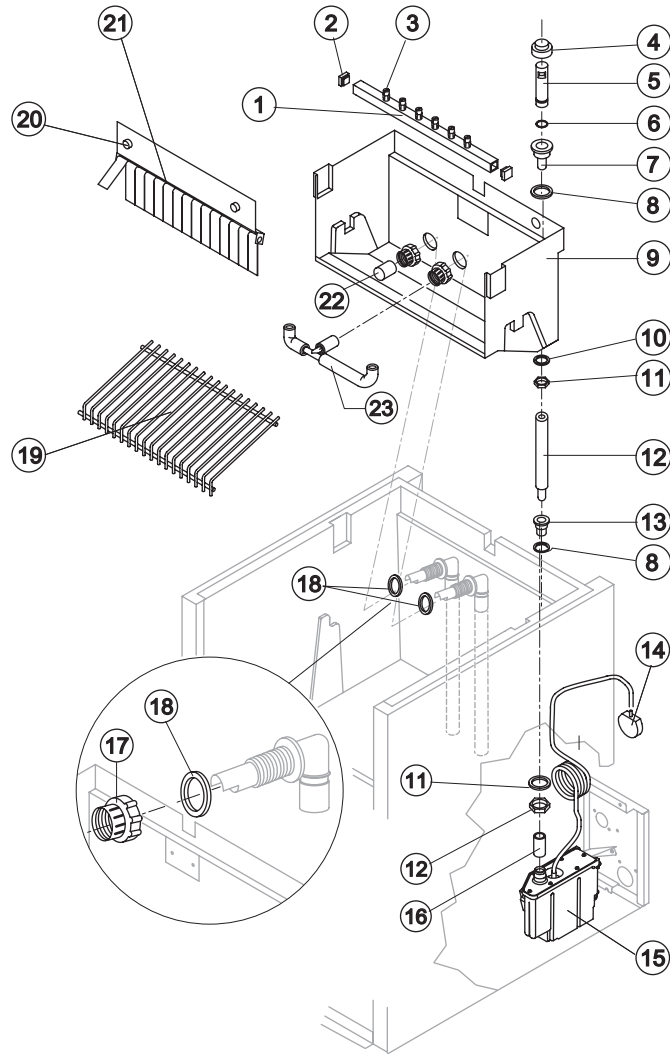
Ref.	Spare Description	Code
21	Discharges Manifold	C26452



CB 1565

HYDRAULIC CIRCUIT

CB 1565A DP



Common Parts

Ref.	Spare Description	Code
1*	Sprayers Bar Assembly	See Table
2	Sprayers Bar Plug	10012
3	Sprayer	D20002
4*	Overflow Cap	10305
5*	Overflow Pipe	10133
6*	OR Gasket for Overflow Pipe	20233
7	Overflow Pipe Nipple	10471
8	Silicone Gasket	13006
9	Inner Basin	10759
10	Semirigid Polyethylene Gasket	13007
11	Bin Discharge Nut	10096
12*	Overflow Pipe Assembly	13155
13	Water Outlet Nipple	10472
14	Drain Pump Pressure Switch	C231230
15	Drain Pump	C231225
16	Bin Discharge-Drain Pump Connection	C13175200
17	Fitting Locking Ring	10405
18	Gasket for Pump Suction/Delivery Pipes	13143
19	Ice Cubes Slide	See Table
20	Flags Support Assy	C22134
21	Fixing Screw	20009
22*	Pump Suction Filter	20005
23	Sprayers Bar Pipe Connection Assy	C13036

Ref. 1 - Sprayers Bar Ass.

Kind of Cube	Code
18 g. (Standard)	C20144
13 g.	C20200

Ref. 19 - Ice Cube Slide

Kind of Cube	Code
18 g. (Standard)	D12022
13 g.	D12040



CB 1565

ELECTRIC PARTS

CB 1565A / CB 1565W / CB 1565A DP

Common Parts

Ref.	Spare Description	Code
1*	Pump Assy	See Table
7*	Contactor	See Table
9*	Bin Thermostat	R23005
10*	Evaporator Thermostat	R23591
11*	Timer	See Table
12*	Green Light Switch (On-Off)	23327
15	Safety Pressure Switch (H.P.) 220/50Hz-220/60Hz	From s/n. 527061 23976

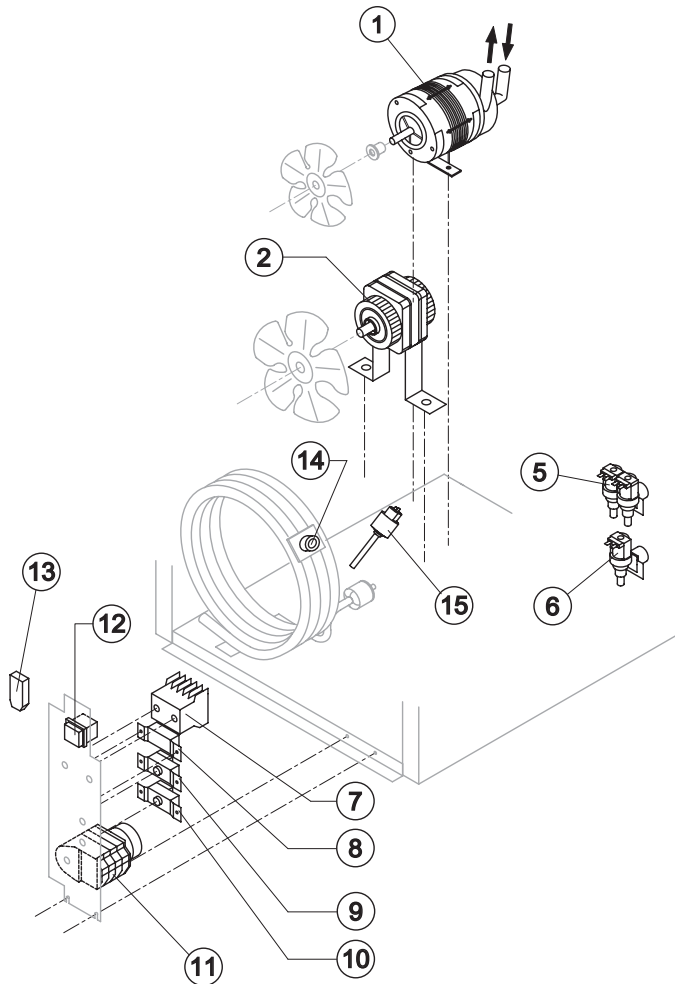
Parts for Air-Cooled Version Only

Ref.	Spare Description	Code
2*	Fan Motor	See Table
6*	1 Way- Water Inlet Valve	See Table
8*	Condenser Pressure Switch	See Table
13	Anti Radio Interference Filter	Only 220V/50-60Hz C23459

Parts for Water-Cooled Version Only

Ref.	Spare Description	Code
5*	2 Ways- Water Inlet Valve	See Table
13	Anti Radio Interference Filter	Only 220V/50-60Hz C23457
14*	Safety Pressure Switch	Till s/n. 527060 C23114

Rev. 14 - 26/03/2018



Ref. 1* - Pump Assy

Voltage	Code
T11	C23462
T12	C23462
T13	C23663

Ref. 2* - Fan motor

Voltage	Code
T11	23121
T12	23121
T13	23621

Ref. 7* - Contactor

Voltage	Code
T11	23594
T12	23594
T13	231088

Ref. 5* - 2 Ways- Water inlet valve

Voltage	18g/13g Cube	33g/42g/60g Cube
T11	23138	23138
T12	23138	23138
T13	23755	23790

Ref. 6* - 1 Way - Water Inlet valve

Voltage	18g/13g Cube	33g Cube	42g/60g Cube
T11	23220	23220	23787
T12	23220	23787	23787
T13	23281	23789	23789

Ref. 8* -Cond. Pressure

Voltage	Code
T11	23175
T12	23175
T13	23175

Ref. 11* - Timer

Voltage	18g Cube	33g Cube	13g Cube	42g Cube	60g Cube
T11	23247	23248	23472	23780	23922
T12	231082	231080	231077	231080	TBD
T13	23833	23786	23258	23786	TBD