



Catalogo ricambi
Spare parts catalogue

OPERA

SANREMO coffee machines s.r.l.
Via Bortolan, 52 - 31050 Vascon di Carbonera (Treviso) ITALY
Tel. +39.0422.498900 - Fax. +39.0422.448935
www.sanremomachines.com - E-mail: info@sanremomachines.com

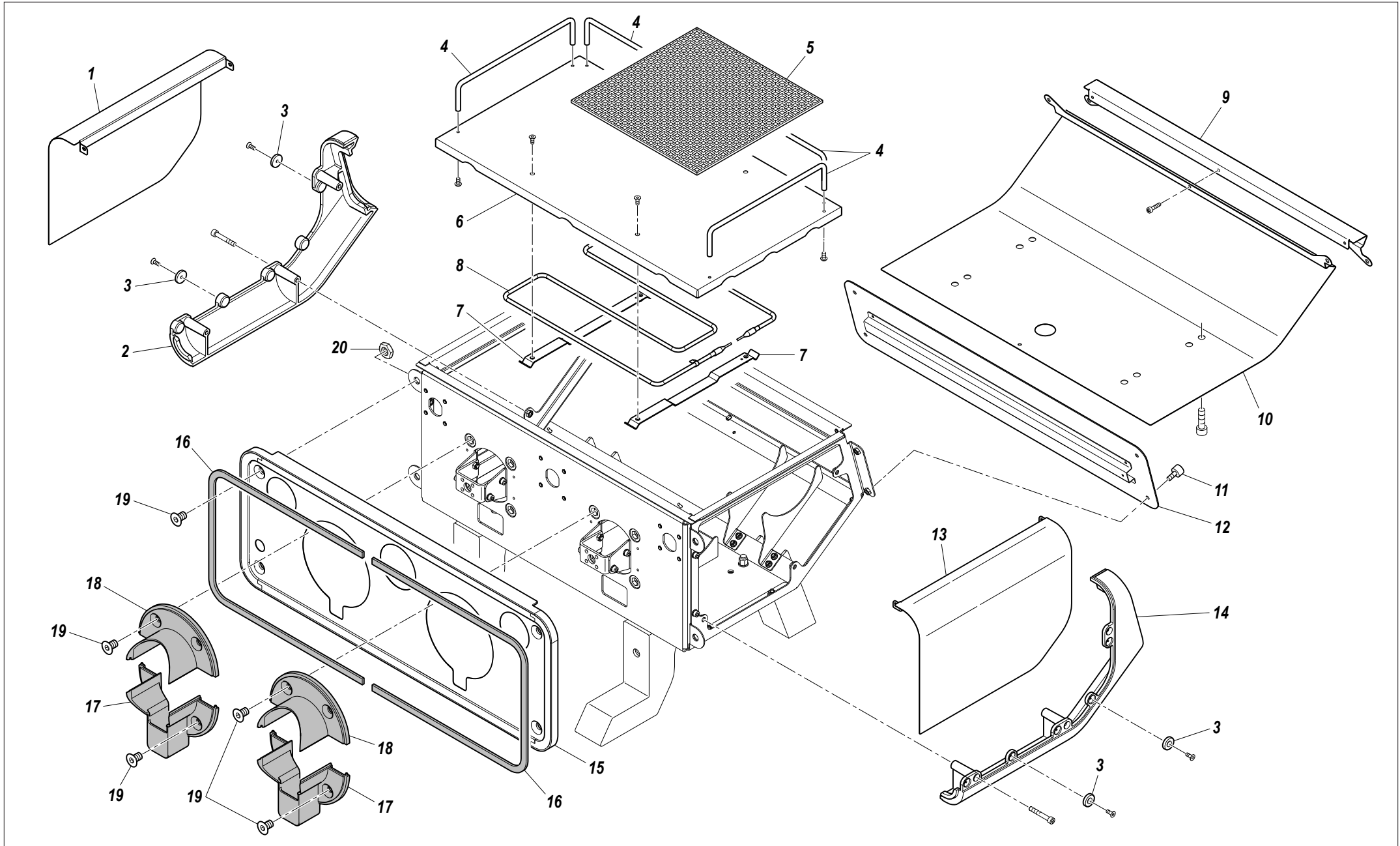


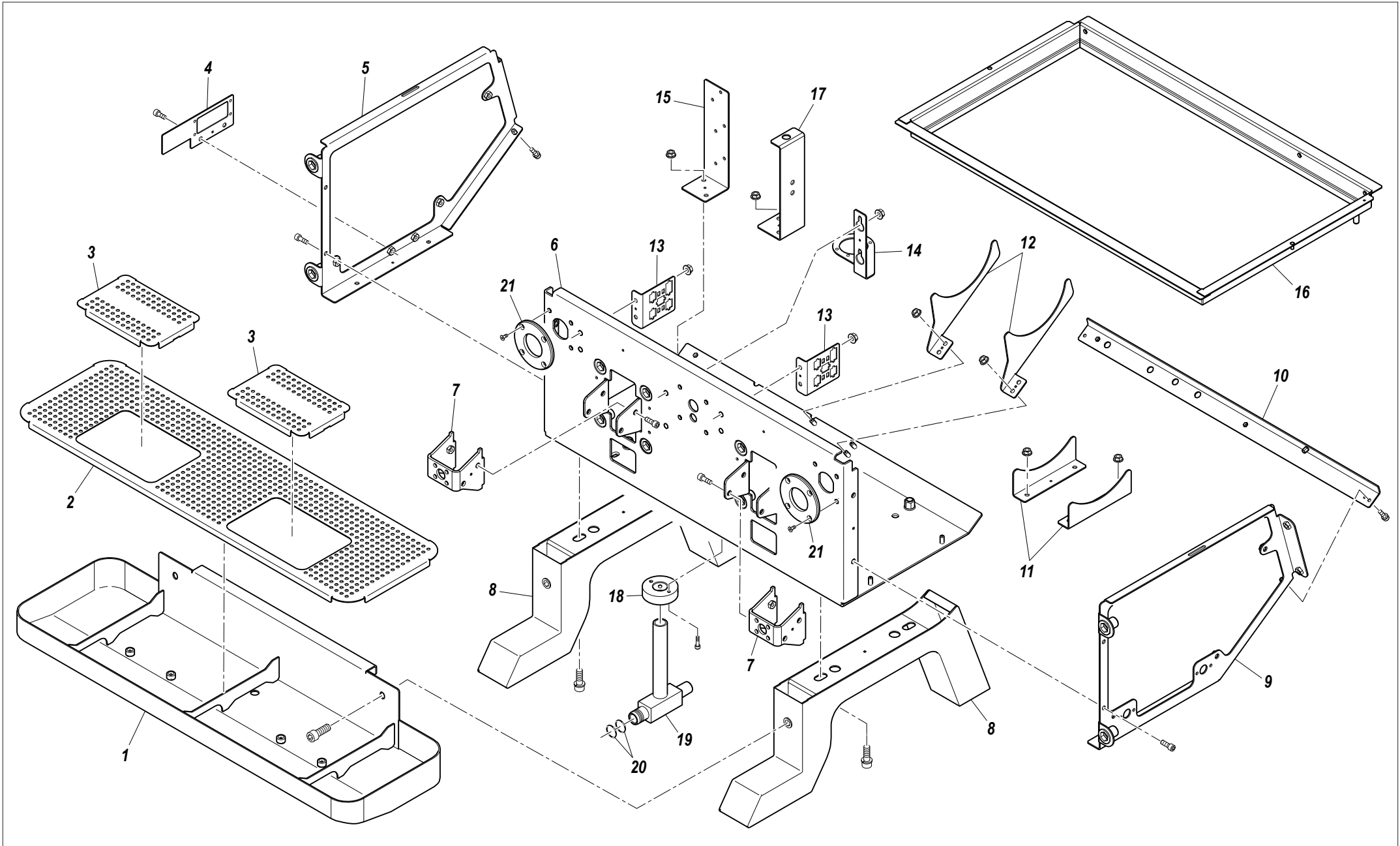
TAV. / DRAW. 1	PANNELLI / PANELS	Pag. 4
TAV. / DRAW. 2	PARTI ACCIAIO / STEEL COMPONENTS	Pag. 6
TAV. / DRAW. 3	PANNELLO COMANDI / CONTROLS PANEL	Pag. 8
TAV. / DRAW. 4	LANCIA VAPORE / STEAM PIPE	Pag. 12
TAV. / DRAW. 5	IMPIANTO IDRAULICO / HYDRAULIC SYSTEM	Pag. 14
TAV. / DRAW. 6	IMPIANTO ACQUA / WATER SYSTEM	Pag. 16
TAV. / DRAW. 7	CARICO-SCARICO ACQUA / WATER CHARGE-DISCHARGE	Pag. 20
TAV. / DRAW. 8	CALDAIE / BOILERS	Pag. 22
TAV. / DRAW. 9	GRUPPO EROGAZIONE / DISTRIBUTION GROUP	Pag. 26
TAV. / DRAW. 10	IMPIANTO ELETTRICO / ELECTRIC SYSTEM	Pag. 30
INDICE NUMERICO PROGRESSIVO / NUMERICAL INDEX		Pag. 32

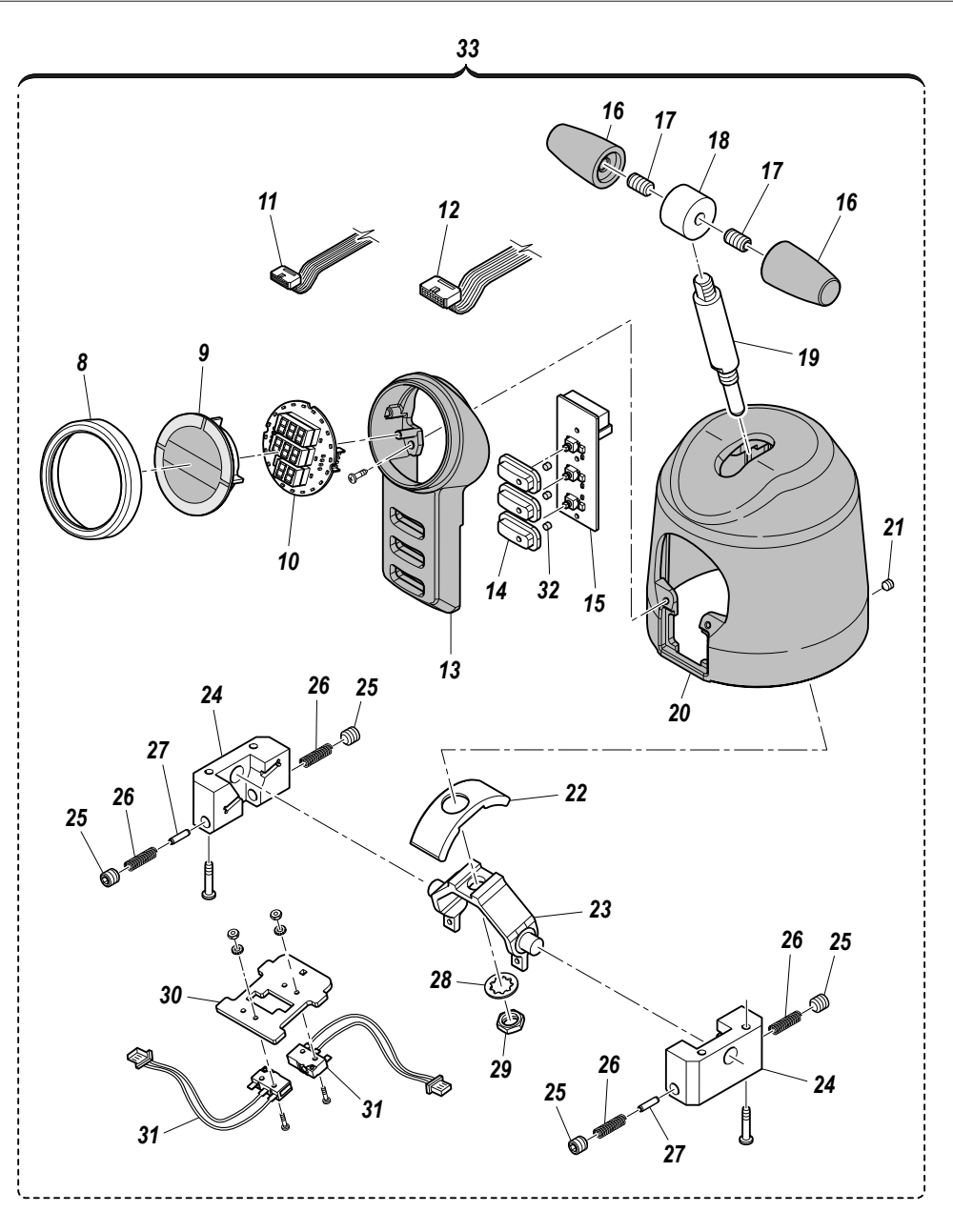
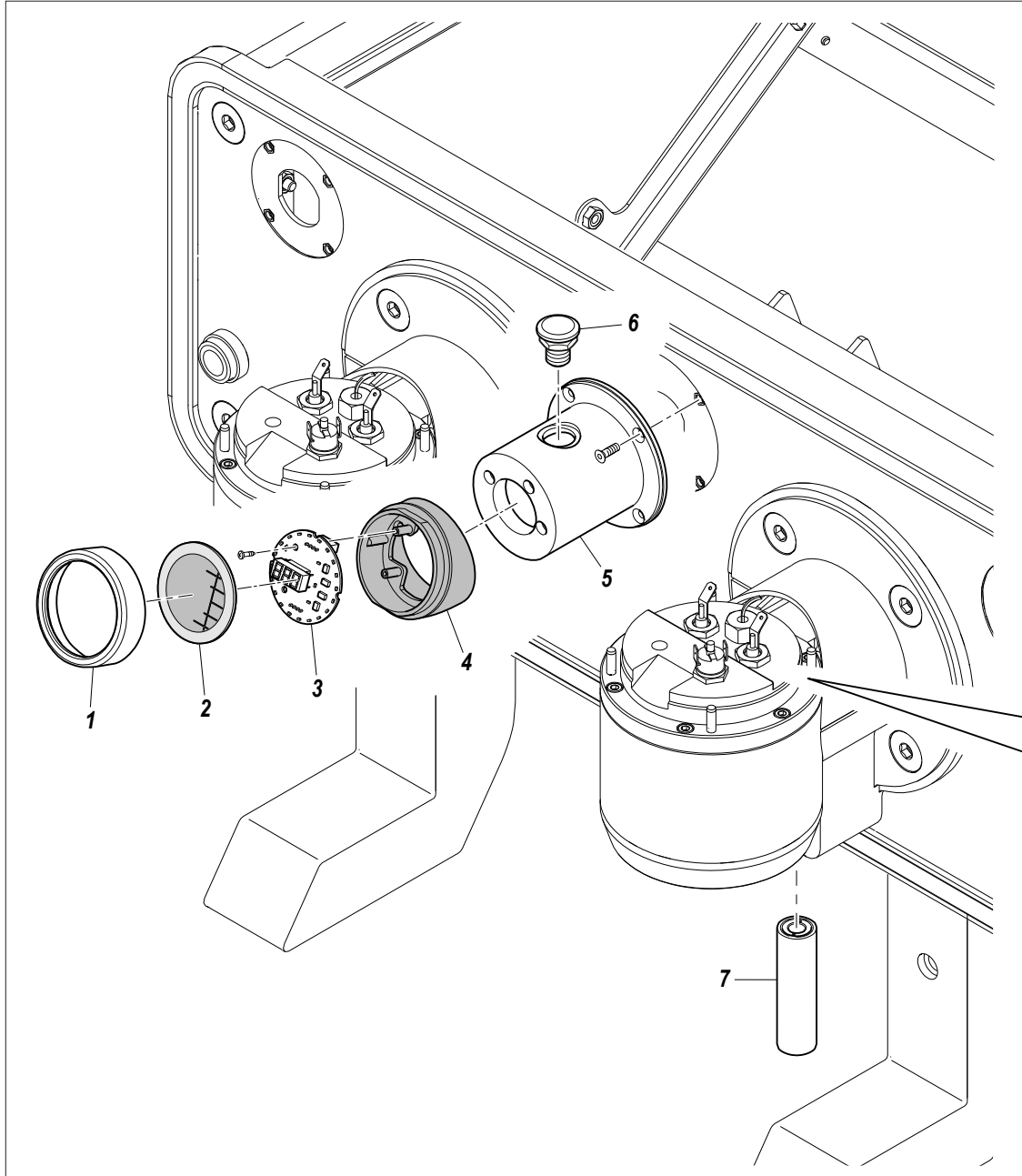
OPERA

TAVOLA
DRAWING

1



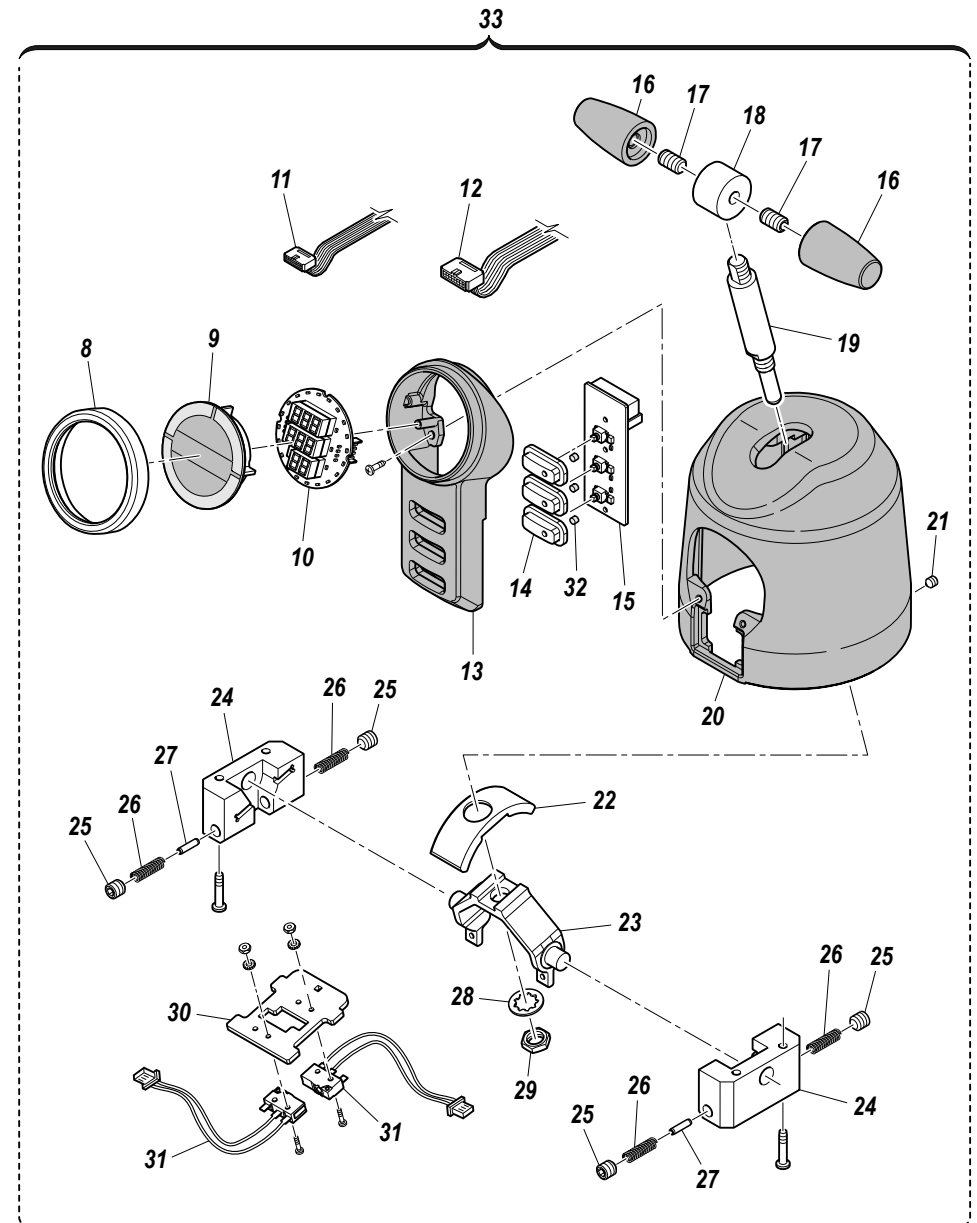
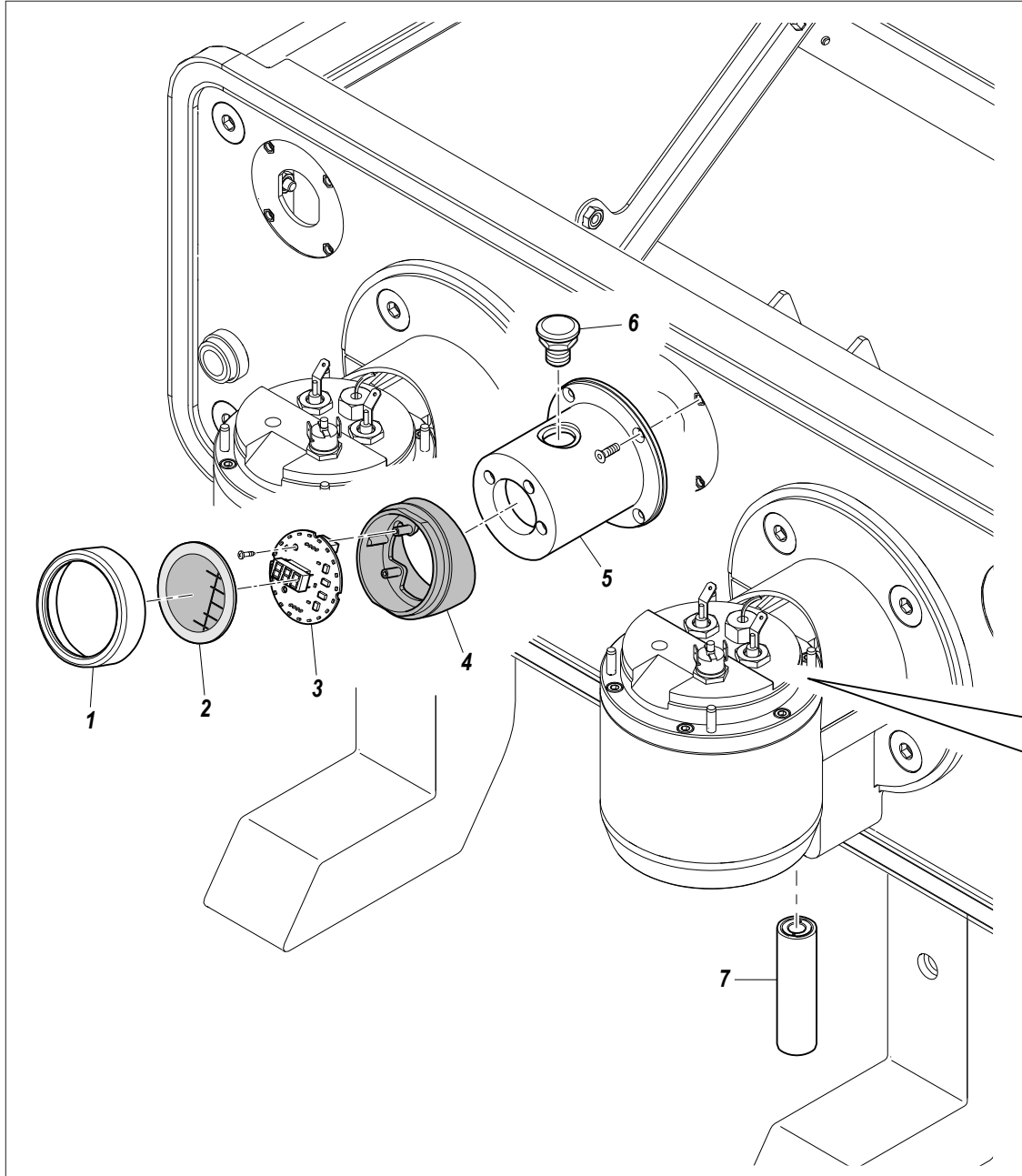


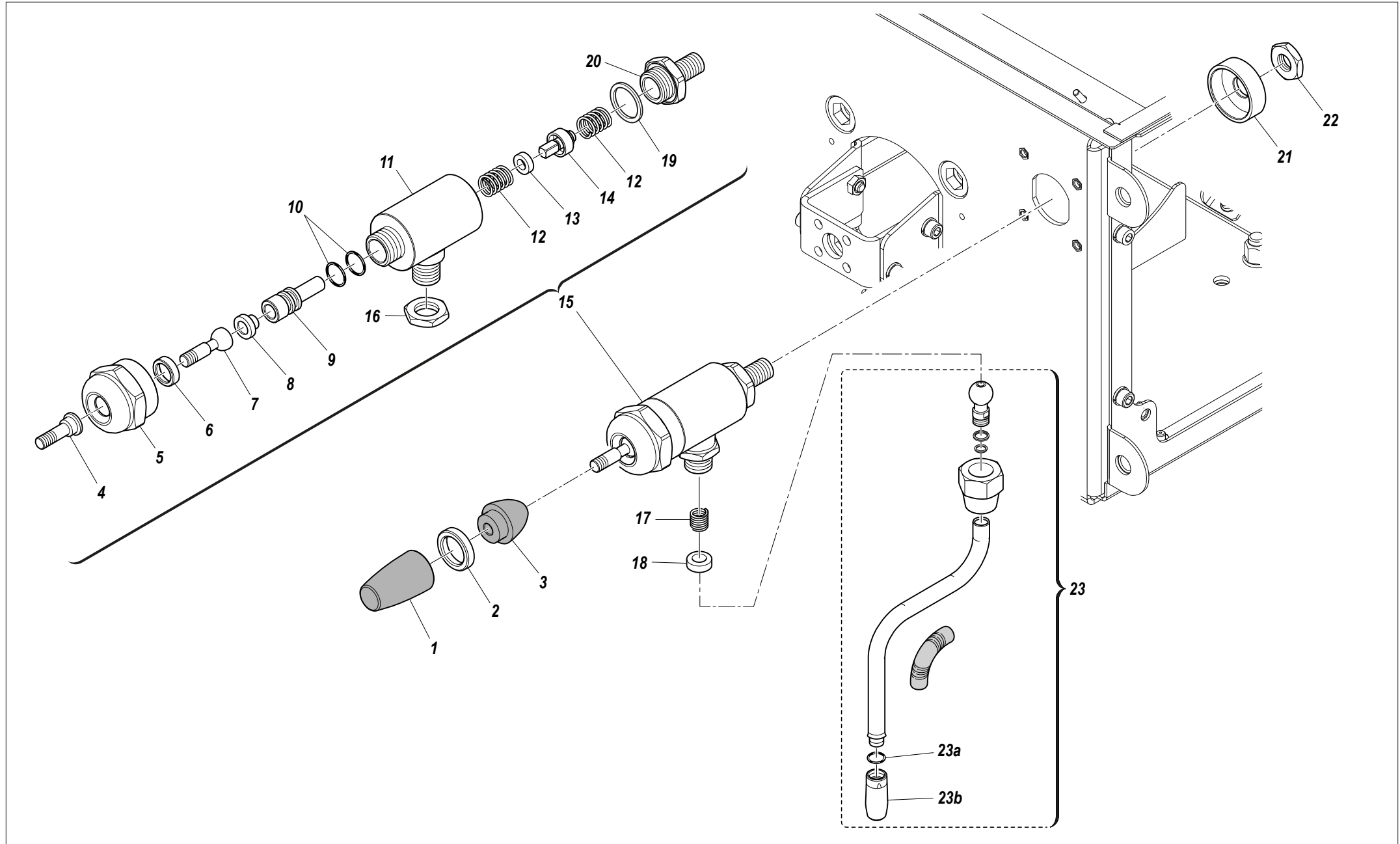


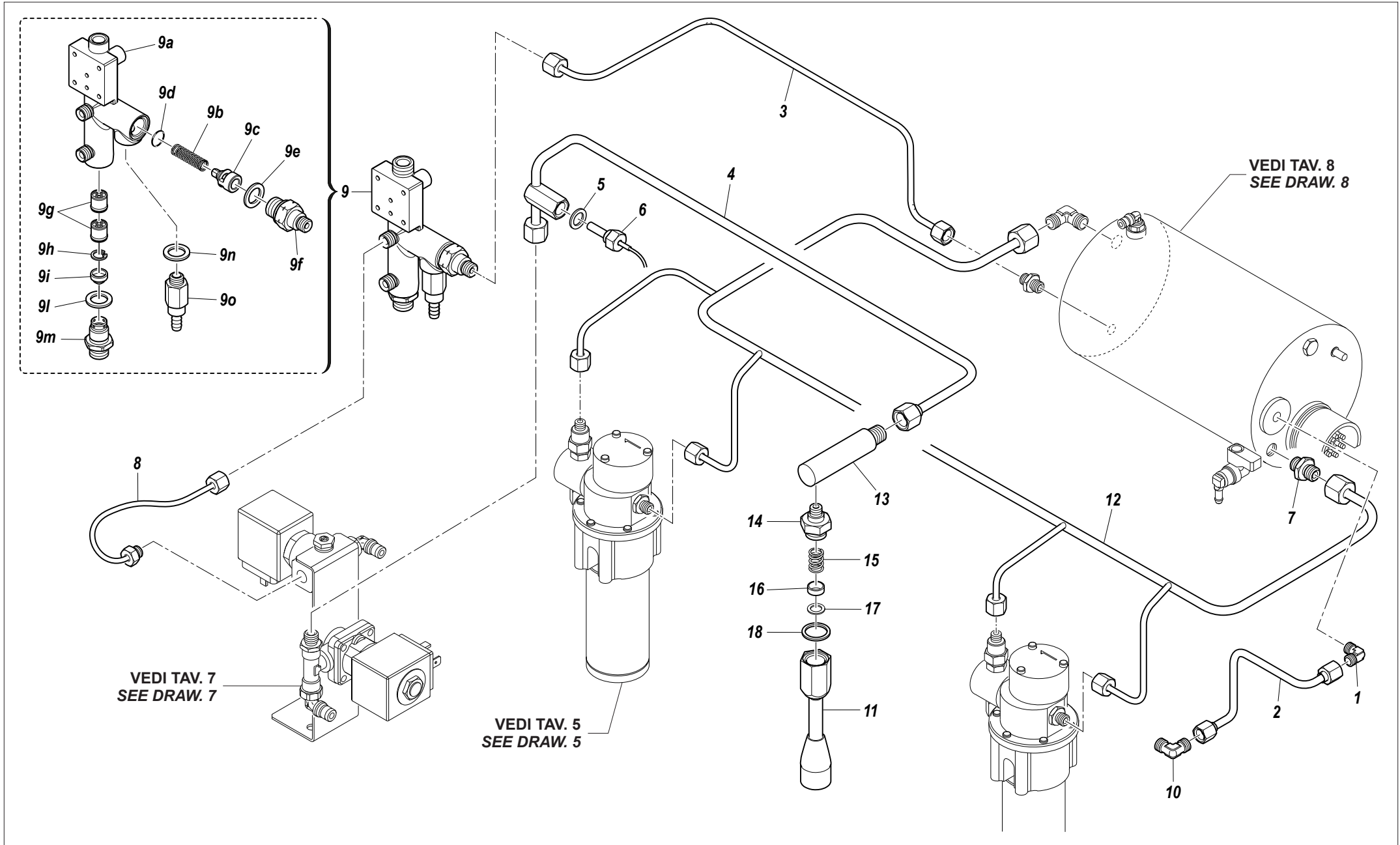


RIF. POS.	CODICE CODE	DESCRIZIONE	DESCRIPTION	NOTE NOTES
1	10080220A	GHIERA DISPLAY	DISPLAY BRACKET	
2	10112412	GUIDA LUCE DISPLAY CALDAIA SERVIZI	SERVICE BOILER DISPLAY LIGHT GUIDE	
2	10112414	GUIDA LUCE DISPLAY ACQUA CALDA	HOT WATER DISPLAY LIGHT GUIDE	
2	10112416	GUIDA LUCE DISPLAY ACQUA CALDA	HOT WATER DISPLAY LIGHT GUIDE	
3	10112404	DISPLAY ACQUA CALDA	HOT WATER DISPLAY	
3	10112406	DISPLAY ACQUA CALDA+SE	HOT WATER DISPLAY + SE	
4	10080082B	SUPPORTO DISPLAY	DISPLAY SUPPORT	
5	10080130A	FLANGIA SUPPORTO DISPLAY	DISPLAY SUPPORT FLANGE	
6	10556062	INTERRUTTORE UNIPOLARE METALLICO ACQUA	UNIPOLAR METAL WATER SWITCH	
7	10302514A	RACCORDO UNICO SCARICO ELETTRICALE	EXHAUST VALVE SOLE CONNECTION	
8	10080210A	GHIERA DISPLAY GRUPPO	GROUP DISPLAY RING	
9	10112410B	GUIDA LUCE DISPLAY GRUPPO	GROUP DISPLAY LIGHT GUIDE	
10	10112400	DISPLAY	DISPLAY	
11	10112398	CAVO COLLEGAMENTO DISPLAY L=900mm	DISPLAY CONNECTION CABLE L=900mm	
12	10112067	CAVO PIN TO PIN L=1100mm 8X2 VIE	PIN TO PIN CABLE L = 1100mm 8X2 WAY	
12	10112073	CAVO PIN TO PIN L=900mm 8X2 VIE	PIN TO PIN CABLE L=900mm 8X2 WAY	
12	10112096	CAVO PIN TO PIN L=1400mm 8X2 VIE	PIN TO PIN CABLE L=1400mm 8X2 WAY	
13	10080012C	SUPPORTO DISPLAY GRUPPO	GROUP DISPLAY SUPPORT	
14	10080120B	TASTO TASTIERA GRUPPO	KEY OF THE GROUP KEYBOARD	
15	10112512	SCHEDA PULSANTIERA 3 TASTI GRUPPO	3 BUTTONS PANEL BOARD GROUP	
16	10080182C	POMELLO LEVA	LEVER KNOB	
17	10806031	GRANO M8X14	GRAIN M8X14	
18	10080174	BOCCOLA LEVA JOYSTICK	JOYSTICK LEVER LOOP	
19	10080176	LEVA JOYSTICK SCOMPOSTA	BROKEN JOYSTICK LEVER	
20	10080002B	CUFFIA COPRI GRUPPO	GROUP COVER CAP	
21	10806061	GRANO M5X6 UNI5927	GRAIN M5X6 UNI5927	
22	10080100A	CUFFIA LEVA JOYSTICK	JOYSTICK LEVER CAP	
23	10080110A	STRUTTURA LEVA JOYSTICK	JOYSTICK LEVER STRUCTURE	
24	10080160A	SUPPORTO LEVA SINISTRA JOYSTICK	LEFT JOYSTICK LEVER SUPPORT	
25	10806068	GRANO M8x8 UNI5923-DIN9	GRAIN M8x8 UNI5923-DIN9	
26	10652084	MOLLA D5.7X24,5X0,8 INOX	STAINLES STEEL SPRING D5.7X24,5X0,8	
27	10805880	SPINA D.3,5x12mm ELASTICA ACCIAIO	ELASTIC STAINLES STEEL PLUG D.3,5x12mm	

SEGUE / CONTINUE ---->



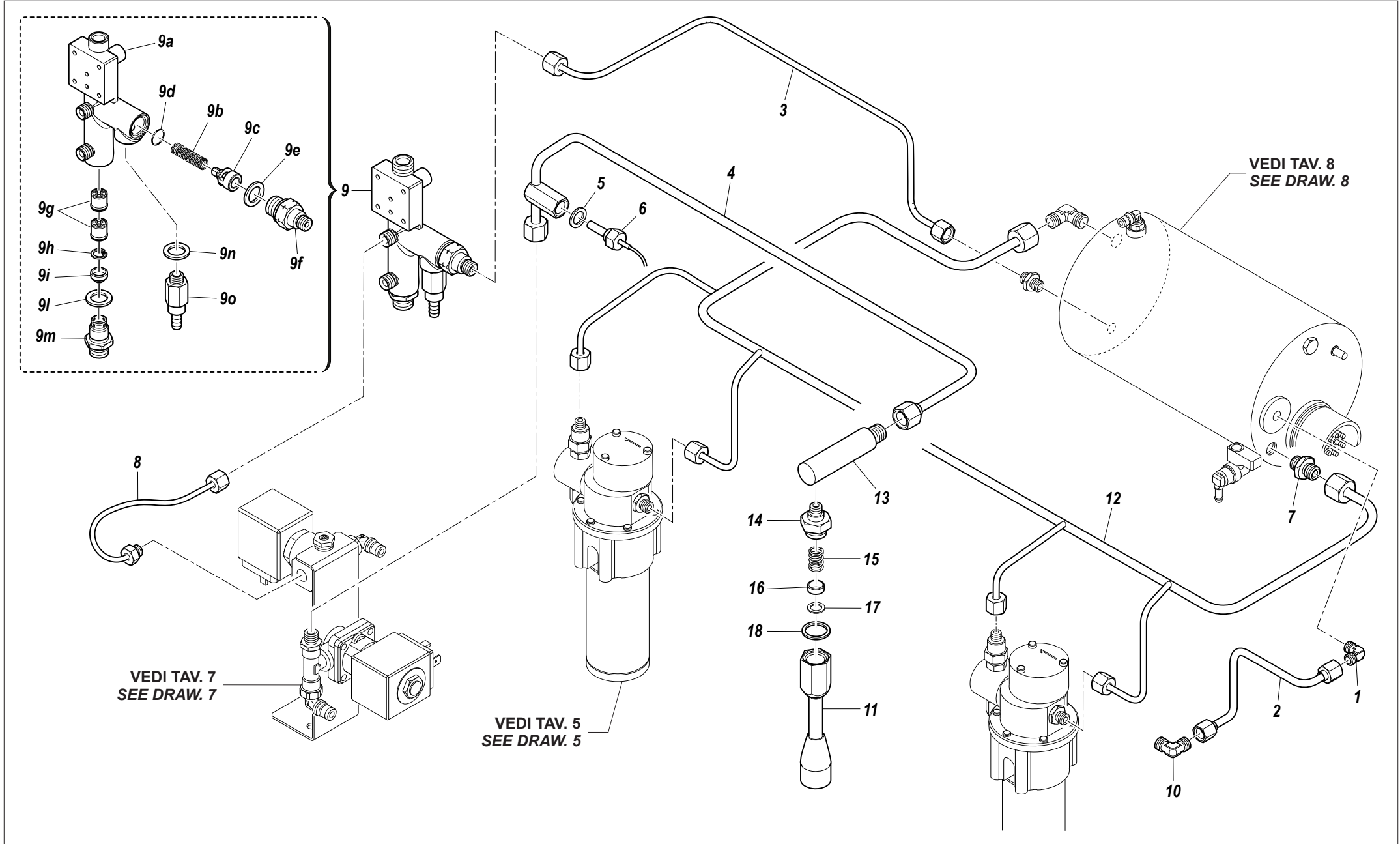


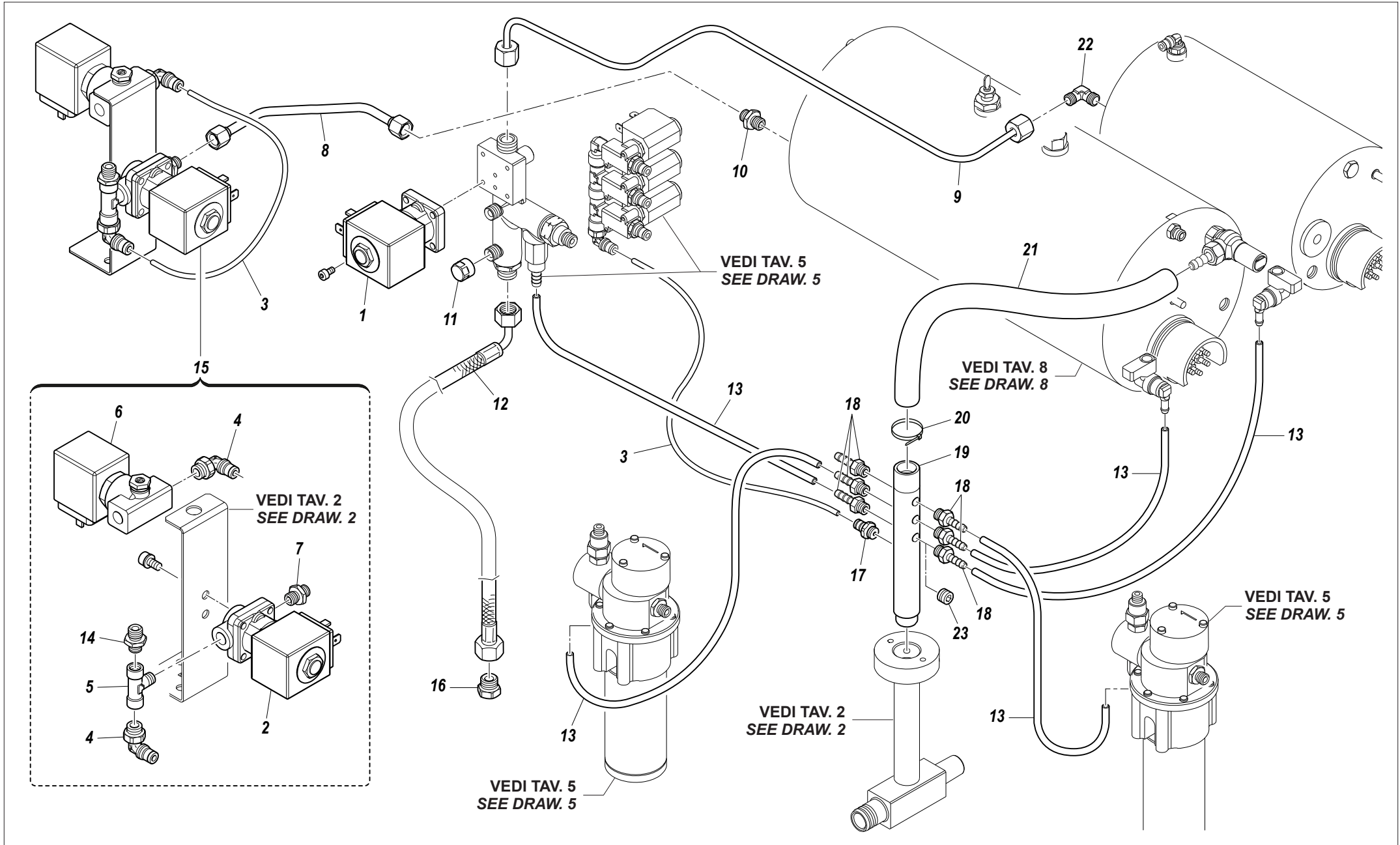


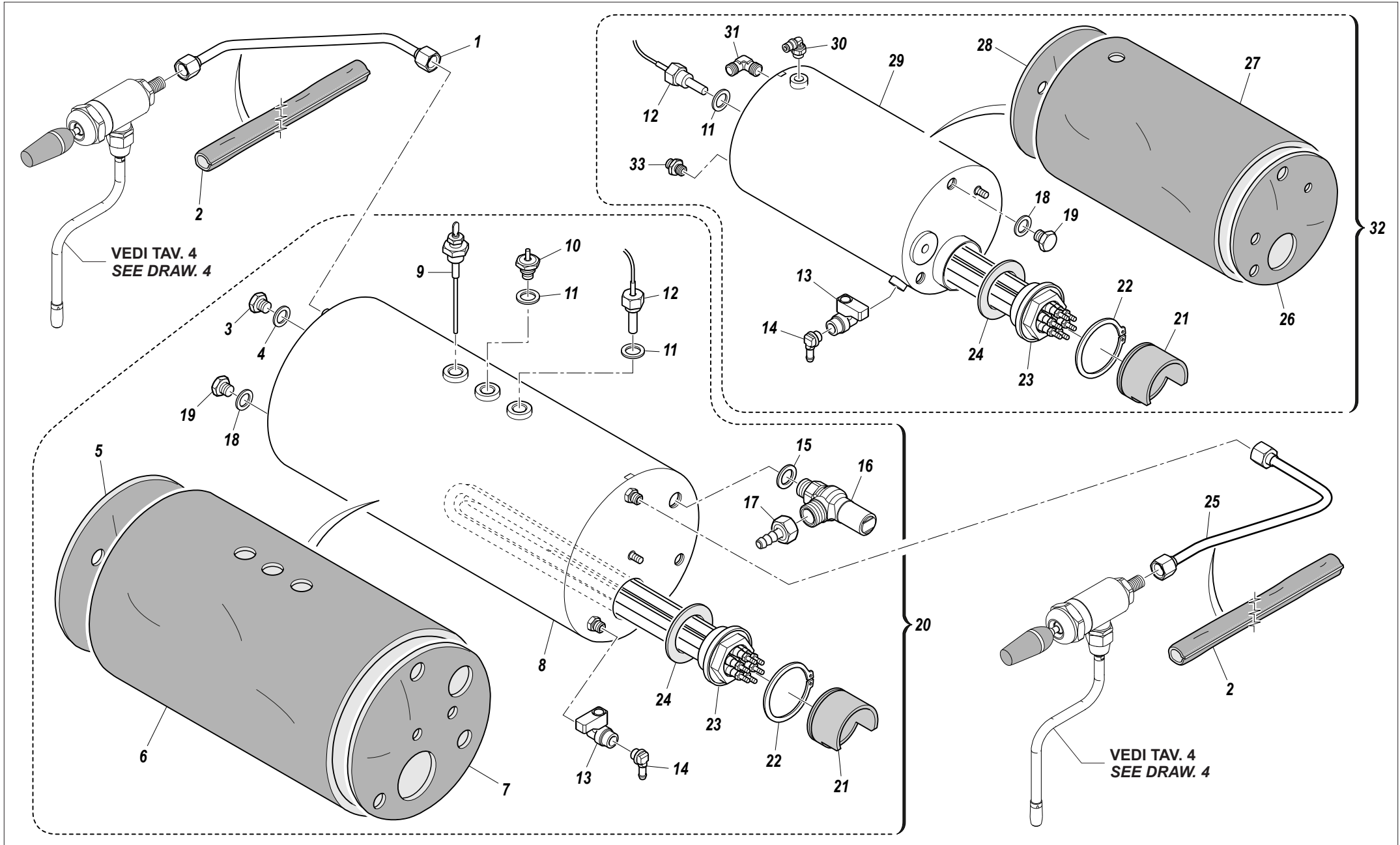


RIF. POS.	CODICE CODE	DESCRIZIONE	DESCRIPTION	NOTE NOTES
1	10 857030	RACCORDO A GOMITO 6-1/8" 1020	ELBOW CONNECTION 6-1/8" 1020	
2	10004342	TUBO CARICO CALDAIA SERVIZI	SERVICE BOILER LOAD TUBE	
3	10004310	TUBO CARICO CALDAIA CAFFE	COFFEE BOILER LOAD TUBE	3 GRUPPI / 3 GROUPS
3	10004338A	TUBO CARICO CALDAIA CAFFE	COFFEE BOILER LOAD TUBE	2 GRUPPI / 2 GROUPS
4	10004320	TUBO USCITA ACQUA MISC.	MIX WATER OUTLET TUBE	3 GRUPPI / 3 GROUPS
4	10004348A	TUBO USCITA ACQUA MISC.	MIX WATER OUTLET TUBE	2 GRUPPI / 2 GROUPS
5	10852180	RONDELLA RAME 1/4" 13.5X19X1.5	COPPER WASHER 1/4" 13.5X19X1.5	
6	10112178A	SONDA NTC 3.3K 100° 1/4"M TEA	NTC PROBE 3.3K 100° 1/4"M TEA	
7	10853432	RACCORDO DRITTO 6-1/8"M	STRAIGHT CONNECTION 6-1/8" M	
8	10004345	TUBO ALIMENTAZIONE ACQUA FREDDA ELETTROVALVOLA	SOLENOID OF COLD WATER SUPPLY TUBE	
9	10056058D	CORPO MASSELLO CARICO COMPLETO	FILL BLOCK BODY ASSEMBLY	
9a	10058040	CORPO MASSELLO	FILL BLOCK BODY	
9b	10053110	MOLLA VALVOLA MASSELLO	FILL BLOCK SPRING VALVE	
9c	10058027	PISTONCINO MASSELLO	FILL BLOCK PISTON	
9d	10402068	OR 106 NBR	OR 106 NBR	
9e	10053109	RONDELLA RAME VALVOLA	VALVE COPPER WASHER	
9f	10058042	NIPLESS VALVOLA	NIPLESS VALVE	
9g	10652052	VALVOLA ANTIRIFLUSSO	BACKFLOW PREVENTER	
9h	10806288	ANELLO SEEGER	SEEGER RING	
9i	10355172	FILTRO RETE	NETWORK FILTER	
9l	10058050	RONDELLA RAME 1/4" MASSELLO	COPPER WASHER 1/4"	
9m	10058044	RACCORDO 1/4"-1/4" MASSELLO	CONNECTION 1/4"-1/4"	
9n	10058048	RONDELLA RAME 1/8" MASSELLO	COPPER WASHER 1/8"	
9o	10655557A	VALVOLA ESPANSIONE	EXPANSION VALVE	
10	10857250A	GOMITO 1020 6-1/4"	ELBOW 1020 6-1/4"	
11	10402340A	DOCCIA EROGAZIONE ACQUA INOX	HOT WATER STAINLES STEEL SHOWER	
12	10004400	TUBO UNICO D10 TERMOSIF.	SINGLE TUBE RADIATORS D10	3 GRUPPI / 3 GROUPS
12	10004500	TUBO UNICO D10 TERMOSIF.	SINGLE TUBE RADIATORS D10	2 GRUPPI / 2 GROUPS
13	10853190	PROLUNGA ACQUA D.17,5 L79	WATER EXTENSION D.17,5 L79	
13	10853191A	PROLUNGA ACQUA D.18 L80	WATER EXTENSION D.18 L80	
14	10859040	RIDUZIONE 1/8"M 3/8"M INOX	STAINLES STEEL REDUCTION 1/8"M 3/8" M	
15	10402538	MOLLA SNODO DOCCIA EROGAZIONE ACQUA	SPRING JOINT FOR HOT WATER SHOWER	

SEGUE / CONTINUE ---->



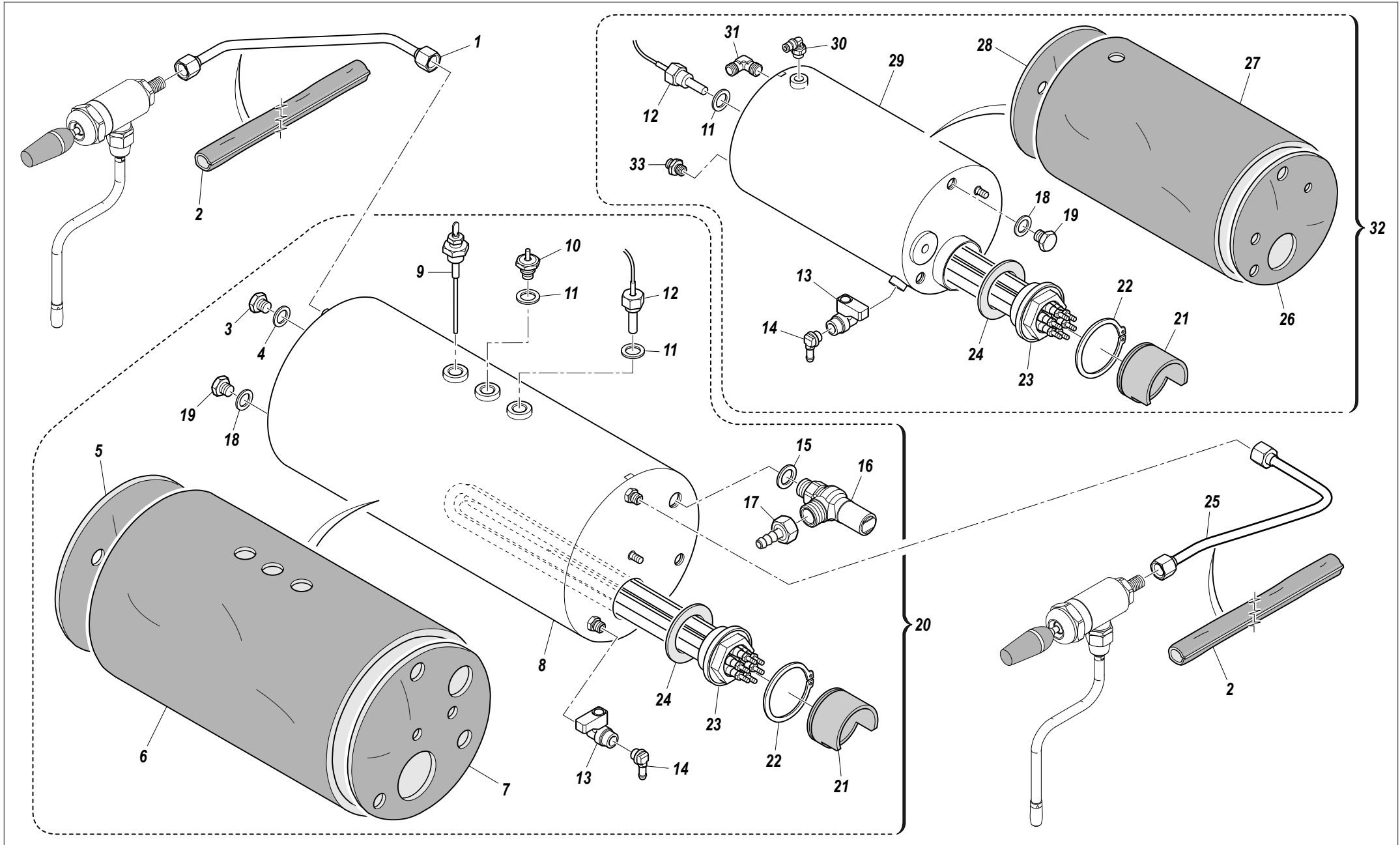


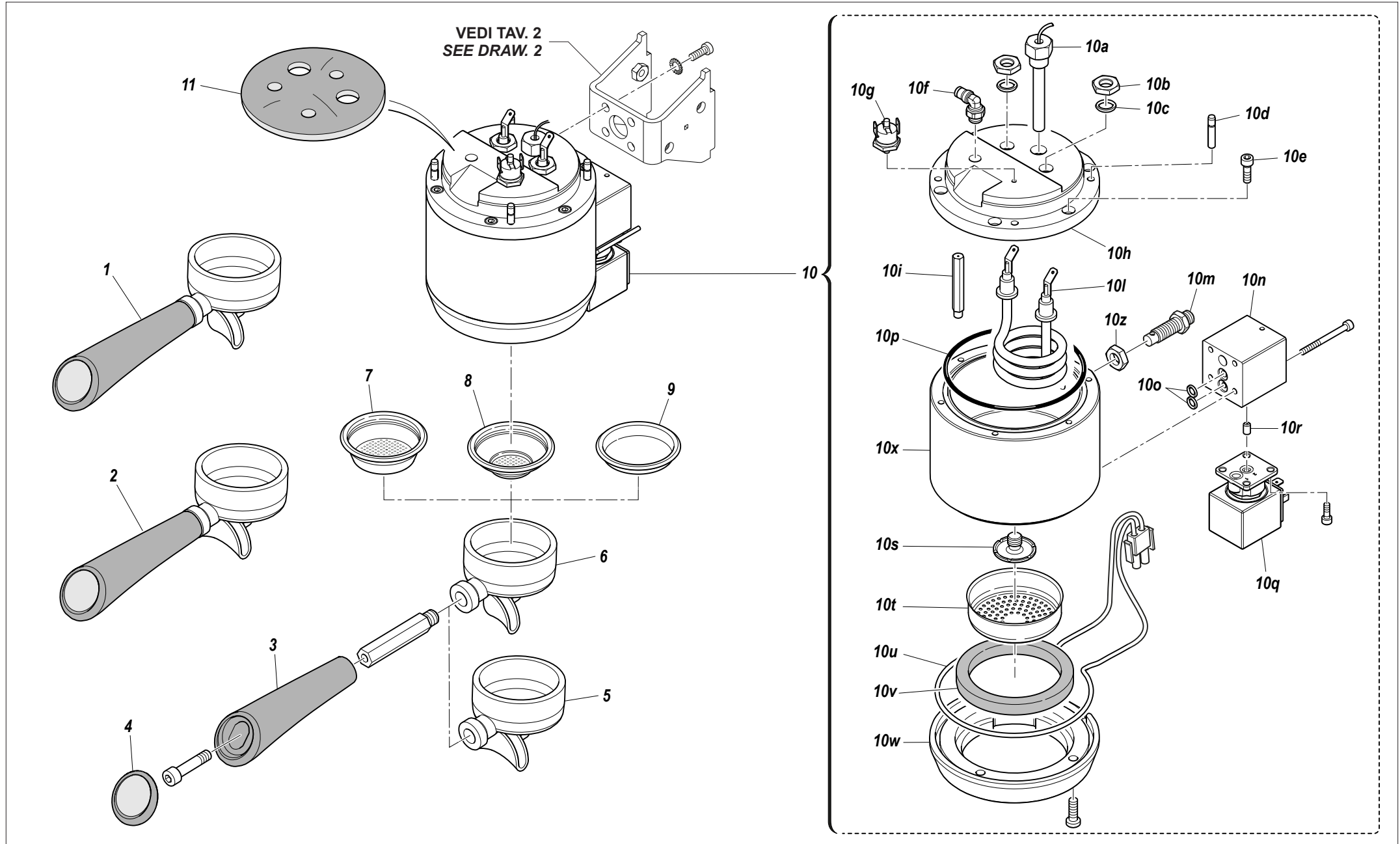




RIF. POS.	CODICE CODE	DESCRIZIONE	DESCRIPTION	NOTE NOTES
1	10004300	TUBO VAPORE SINISTRO	LEFT STEAM TUBE	3 GRUPPI / 3 GROUPS
1	10004330A	TUBO VAPORE SINISTRO	LEFT STEAM TUBE	2 GRUPPI / 2 GROUPS
2	10025580	ISOLANTE ISOSOL-EC 5mm L=210mm	ISOSOL-EC INSULATION 5mm L=210mm	2 GRUPPI / 2 GROUPS
2	10025588	ISOLANTE ISOSOL-EC 5mm L=360mm	ISOSOL-EC INSULATION 5mm L=360mm	3 GRUPPI / 3 GROUPS
3	10857022B	TAPPO 2611 1/8"M	CAP 2611 1/8"M	
4	10853030	RONDELLA RAME 1/8" D.10,3X14X1	COPPER WASHER 1/8" D.10,3X14X1	
5	10857080A	ISOLANTE ISOSOL-EC PANNELLO LATERALE SINISTRO CALDAIA	ISOSOL EC INSULATION - LEFT SIDE PANEL OF BOILER	
6	10025640	ISOLANTE ISOSOL-EC PANNELLO CALDAIA	ISOSOL EC INSULATION - BOILER PANEL	
7	10025642	ISOLANTE ISOSOL-EC PANNELLO LATERALE DESTRO CALDAIA	ISOSOL EC INSULATION - RIGHT SIDE PANEL OF BOILER	
8	10002914	CALDAIA SERVIZI INOX 8 LITRI	STAINLES STEEL SERVICE BOILER 8 LITERS	
9	10112064	SONDA LIVELLO TL10/B L=120mm	LEVEL PROBE TL10/B L=120mm	
10	10652040A	VALVOLA SFIATO CALDAIA	RELIEF BOILER VALVE	
11	10852180	RONDELLA RAME 1/4" 13.5X19X1.5	COPPER WASHER 1/4" 13.5X19X1.5	
12	10112178A	SONDA NTC 3.3K 100° 1/4"M TEA	NTC PROBE 3.3K 100 ° 1/4" M TEA	
13	10401404A	RUBINETTO 1/8"M/F	TAP 1/8"M/F	
14	10853070	RACCORDO L PORTAGOMMA D.7 1/8"M	L FITTING D.7 1/8"M	
15	10852212	RONDELLA RAME 3/8" 17X22,8X3	COPPER WASHER 3/8" 17X22,8X3	
16	10652056A	VALVOLA SICUREZZA 3/8"	SAFETY VALVE 3/8"	
17	10853120	RACCORDO DRITTO PORTAGOMMA 1/2"F	STRAIGHT CONNECTION 1/2"F	
18	10852180	RONDELLA RAME 1/4" 13.5X19X1.5	COPPER WASHER 1/4" 13.5X19X1.5	
19	10857540B	TAPPO 2611 1/4"M	CAP 2611 1/4" M	
20	10053245	ASS. CALDAIA SERVIZI 3,5KW 230V	ASS. SERVICE BOILER 3,5KW 230V	
21	10455100B	PROTEZIONE RESISTENZA	RESISTANCE PROTECTION	
22	10806286	ANELLO SEEGER A52X2 DIN471 UNI7435	SEEGER RING A52X2 DIN471 UNI7435	
23	10455038	RESISTENZA 1500W 220V L.18	RESISTANCE 1500W 220V L. 18	
24	10502008	RONDELLA PTFE D55X41,8X5	WASHER PTFE D55X41,8X5	
25	10004302	TUBO VAPORE DESTRO	RIGHT STEAM TUBE	3 GRUPPI / 3 GROUPS
25	10004332A	TUBO VAPORE DESTRO	RIGHT STEAM TUBE	2 GRUPPI / 2 GROUPS
26	10026042	ISOLANTE ISOSOL-EC FIANCO DESTRO CALDAIA SERVIZI	ISOSOL EC INSULATION - RIGHT SIDE OF SERVICE BOILER	
27	10026040	ISOLANTE ISOSOL-EC PANN. CALDAIA SERVIZI	ISOSOL EC INSULATION - SERVICE BOILER PANEL	
28	10026044	ISOLANTE ISOSOL-EC FIANCO SINISTRO CALDAIA SERVIZI	ISOSOL EC INSULATION - LEFT SIDE OF SERVICE BOILER	
29	10002910C	CALDAIA CAFFE INOX 2,8 LITRI	STAINLES STEEL COFFEE BOILER 2,8 LITERS	

SEGUE / CONTINUE ---->

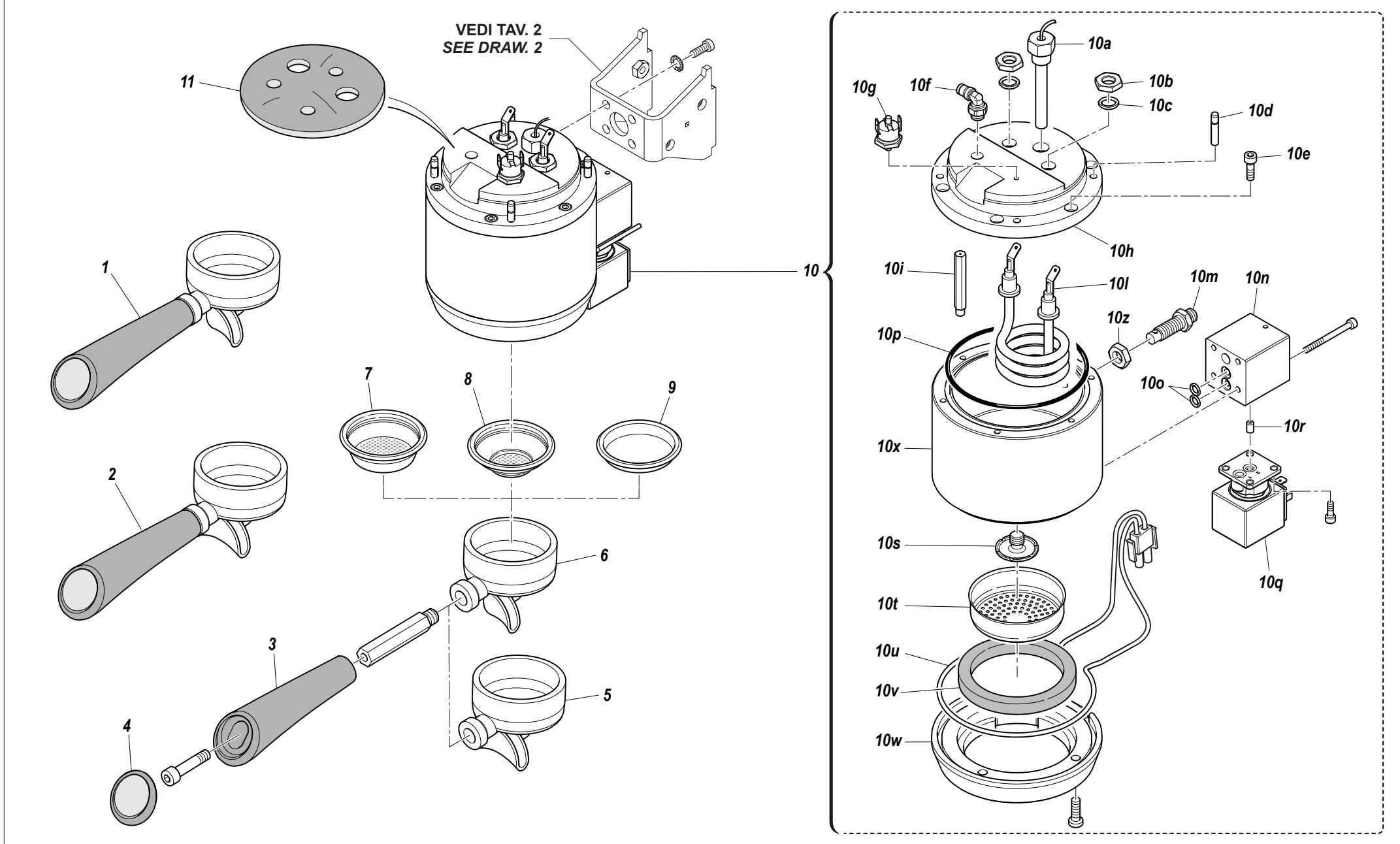


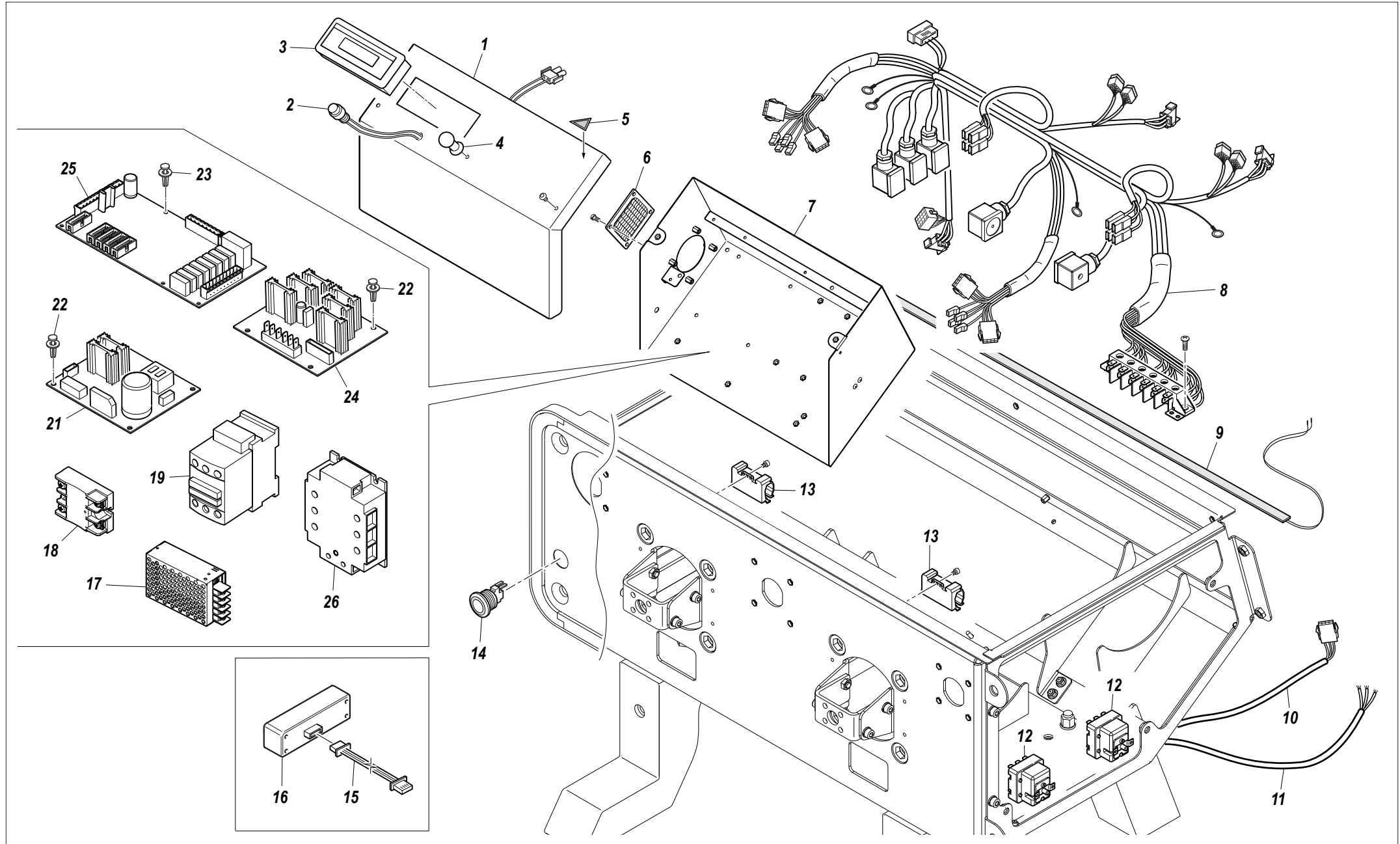




RIF. POS.	CODICE CODE	DESCRIZIONE	DESCRIPTION	NOTE NOTES
1	10080304B	ASS. PORTAFILTRO 1 TAZZA 8-9GR EU/AUS	ASS. 1 CUP FILTERHOLDER 8-9GR EU / AUS	
2	10080306B	ASS. PORTAFILTRO 2 TAZZE 16-18GR EU OPE	ASS. 2 CUPS FILTERHOLDER 16-18GR EU OPE	
3	10080092C	MANICO PORTAFILTRO NERO	BLACK HANDLE FILTERHOLDER	
4	10080244	TAPPO MANICO PORTAFILTRO	FILTERHOLDER HANFLE CUP	
5	10402418	CORPO PORTAFILTRO C/BECC. 2VIE+MOLLA INOX	FILTERHOLDER BODY C / SPOUT 2 WAY+STAINLESS STEEL SPRING	
6	10402416	CORPO PORTAFILTRO C/BECC. 1VIA+MOLLA INOX	FILTERHOLDER BODY C / SPOUT 1 WAY+STAINLESS STEEL SPRING	
7	10053040	FILTRO 2 TAZZE 14-16GR H.24mm	2 CUPS FILTER 14-16GR H.24mm	
7	10053042	FILTRO 2 TAZZE 16-18GR H.26mm	2 CUPS FILTER16-18GR H.26mm	
7	10053044	FILTRO 2 TAZZE 18-22GR H.28,5mm	2 CUPS FILTER 18-22GR H.28,5mm	
8	10052099	FILTRO 1 TAZZA ITA 18,5 7-8GR	1 CUP FILTER ITA 18,5 7-8GR	
8	10052103	FILTRO 1 TAZZA EUR/AUS 19,5	1 CUP FILTER EUR/AUS 19,5	
9	10052220	FILTRO CIECO IN ACCIAIO D.8 H.3	BLIND STEEL FILTER D.8 H.3	
10	10052000	ASS. GRUPPO EROGAZIONE 800W G0,8 230V	ASS. SUPPLY GROUP 800W 230V G0,8	
10a	10112178A	SONDA NTC 3.3K 100° 1/4"M	NTC PROBE 3.3K 100° 1/4"M	
10b	10805592A	DADO M10X1	NUT M10X1	
10c	10852180	RONDELLA RAME 1/4" 13.5X19X1.5	COPPER WASHER 1/4" 13.5X19X1.5	
10d	10060008B	SPINA FLANGIA SUPERIORRE	UPPER FLANGE PLUG	
10e	10805158	VITE TCEI M5x16 A2 UNI5931 DIN912	SCREW TCEI M5x16 DIN912 A2 5931	
10f	10853210	RACCORDO L RAPIDO 4x1/8"	QUICK L CONNECTION 4x1/8"	
10g	10111049A	TERMOSTATO 135° A RIARMO MANUALE	THERMOSTAT 135° MANUAL RESET	
10h	10060000A	FLANGIA SUPERIORE GRUPPO	UPPER GROUP FLANGE	
10i	10060010	GIGLEUR INTERNO CORPO F1,2	INTERNAL BODY GIGLEUR F1.2	
10l	10455120	RESISTENZA 800W 230V CALDAIA	RESISTANCE 800W 230V BOILER	
10m	10060014	RACCORDO INIEZIONE 1/8"	INJECTION CONNECTION 1/8"	
10n	10060006	BLOCCO ELETTROVALVOLA GRUPPO	SOLENOID GROUP BLOCK	
10o	10505074	OR 2025 6,07X1,78	OR 2025 6,07X1,78	
10p	10505088A	OR 3375 154 VITON 94,92X2,62	OR 3375 154 VITON 94,92X2,62	
10q	10303110	ELETTROVALVOLA 3VIE B.32X32 230V	SOLENOID 3WAY B.32X32 230V	
10r	10060012	GIGLEUR GRANO M5 F0,8	GRAIN GIGLEUR M5 F0,8	
10s	10052141A	DIFFUSORE GRUPPO	GROUP DIFFUSER	
10t	10053050	DOCCIA A RETE	NET SHOWERT	
10u	10115083A	RESISTENZA A FILO 13,5W 230V	WIRE RESISTANCE 13,5W 230V	

SEGUE / CONTINUE ---->





IMPIANTO ELETTRICO / ELECTRIC SYSTEM



RIF. POS.	CODICE CODE	DESCRIZIONE	DESCRIPTION	NOTE NOTES
1	10020004C	COPERCHIO SCATOLA	BOX COVER	
2	10556064A	PULSANTE ON/OFF ARIA	BUTTON ON/OFF AIR	
3	10112080B	DISPLAY LCD COVER BLU	LCD DISPLAY COVER BLUE	
4	10353538	POMELLO GRIGLIETTA	GRILL KNOB	
5	10955015	ETICHETTA TRIANGOLARE SIMBOLO TENSIONE	TRIANGULAR LABEL WITH VOLTAGE SYMBOL	
6	10355190	FILTRO VENTOLA SCATOLA ELETTRICA	ELECTRICAL BOX FAN FILTER	
7	10020006C	SCATOLA 2-3GR	2-3GR BOX	
8	10102680A	CABLAGGIO PRINCIPALE	MAIN WIRING	2 GRUPPI / 2 GROUPS
8	10102684A	CABLAGGIO PRINCIPALE	MAIN WIRING	3 GRUPPI / 3 GROUPS
9	10554140A	LAMPADA LED L=650+820mm CAV.	LED LAMP L=650+820mm CABL.	2 GRUPPI / 2 GROUPS
9	10554142	LAMPADA LED L=890+820mm CAV.	LED LAMP L=890+820mm CABL.	3 GRUPPI / 3 GROUPS
10	10102595A	CABLAGGIO COLLEGAMENTO A POMPA ESTERNA	WIRING CONNECTION TO EXTERNAL PUMP	
11	10102191	CAVO ALIMENTAZIONE 5X2,5 TRIFASE	POWER CABLE 5x2.5 THREEPHASE	
11	10102424	CAVO ALIMENTAZIONE 3X6 MONOFASE	POWER CABLE 3X6 SINGLEPHASE	
12	10111015	TERMOSTATO 169° A RIARMO MANUALE	THERMOSTAT 169° MANUAL RESET	
13	10106096	ADATTATORE FISSAGGIO CONNETTORI	CONNECTORS MOUNTING ADAPTER	
14	10556060	INTERRUTTORE ACCENSIONE BIPOLARE LUMINOSO ROSSO	RED LIGHT BIPOLAR IGNITION SWITCH	
15	10112344	CAVO COLLEGAMENTO USB-BLUETOOTH L=90mm	CABLE CONNECTION USB-BLUETOOTH L = 90mm	
16	10112342	SCHEDA INTERFACCIA BLUETOOTH	BLUETOOTH INTERFACE CARD	
17	10554109	ALIMENTATORE SWITCH 26.4W 24V	POWER SWITCH 24V 26.4W	
18	10112262	RELE' 4-32V 25A 280V	RELAY 4-32V 25A 280V	
19	10112430	CONTATTORE 5A 100-250V	CONTACTOR 5A 100-250V	
21	10554106A	SCHEDA ALIMENTAZIONE 110V	SUPPLY CARD 110V	
21	10554108A	SCHEDA ALIMENTAZIONE 180V	SUPPLY CARD 180V	
22	10355054	DISTANZIALE CIRCUITO PER FORI D4	CIRCUIT SPACER FOR HOLES D4	
23	10355038	DISTANZIALE CIRCUITO PER FORI D3,5 L	CIRCUIT SPACER FOR HOLES D3,5 L	
24	10112354	SCHEDA ESPAN. 6TRIAC 230V	ESPAN. CARD 6TRIAC 230V	
25	10112510D	CENTRALINA 4D5 230V	UNIT 4D5 230V	
26	10112216B	RELE' STATICO TRIFASE 32V	THREEPHASE STATIC RELAY 32V	

CODICE CODE	TAVOLA DRAWING	RIF. POS.	CODICE CODE	TAVOLA DRAWING	RIF. POS.	CODICE CODE	TAVOLA DRAWING	RIF. POS.	CODICE CODE	TAVOLA DRAWING	RIF. POS.	CODICE CODE	TAVOLA DRAWING	RIF. POS.	CODICE CODE	TAVOLA DRAWING	RIF. POS.
10002910C	8	29	10025642	8	7	10058040	6	9a	10111049A	9	10g	10401056A	4	18	10554109	10	17
10002914	8	8	10025644	8	5	10058042	6	9f	10112029	3	31	10401404A	8	13	10554140A	10	9
10004300	8	1	10026040	8	27	10058044	6	9m	10112064	8	9	10402036A	4	12	10554142	10	9
10004302	8	25	10026042	8	26	10058048	6	9n	10112067	3	12	10402056A	2	20	10556060	10	14
10004310	6	3	10026044	8	28	10058050	6	9l	10112073	3	12	10402068	6	9d	10556062	3	6
10004312	7	9	10030010B	2	6	10060000A	9	10h	10112080B	10	3	10402340A	6	11	10556064A	10	2
10004318	7	8	10030014A	2	10	10060002	9	10x	10112096	3	12	10402416	9	6	10652024A	5	13
10004320	6	4	10030016A	2	5	10060004	9	10w	10112178A	6	6	10402418	9	5	10652040A	8	10
10004330A	8	1	10030018A	2	9	10060006	9	10n	10112178A	8	12	10402472C	4	15	10652052	6	9g
10004332A	8	25	10030020A	2	12	10060008B	9	10d	10112178A	9	10a	10402476	4	23	10652056A	8	16
10004338A	6	3	10030022C	2	11	10060010	9	10i	10112203	1	3	10402476A	4	23	10652084	3	26
10004340A	7	9	10030026	2	17	10060012	9	10r	10112216B	10	26	10402478	1	5	10655557A	5	14
10004342	6	2	10030027	2	15	10060014	9	10m	10112262	10	18	10402482	2	21	10655557A	6	9o
10004345	6	8	10030028	2	4	10080002B	3	20	10112282	5	4	10402510	4	17	10802506	1	20
10004346A	7	8	10030032A	1	9	10080012C	3	13	10112342	10	16	10402518	4	6	10802742	7	20
10004348A	6	4	10030034B	2	16	10080022	1	14	10112344	10	15	10402520	4	4	10803524	3	28
10004400	6	12	10030036C	1	6	10080042	1	2	10112354	10	24	10402520	4	7	10805158	9	10e
10004402	5	1	10030042B	1	12	10080062B	1	18	10112398	3	11	10402522	4	8	10805206A	1	19
10004404	5	2	10030046C	2	2	10080072B	1	17	10112400	3	10	10402524	4	9	10805592A	3	29
10004500	6	12	10030054	1	4	10080082B	3	4	10112404	3	3	10402526	4	11	10805592A	9	10b
10020002B	1	15	10030056	1	7	10080092C	9	3	10112406	3	3	10402528	4	5	10805880	3	27
10020004C	10	1	10030100A	2	18	10080100A	3	22	10112410B	3	9	10402530	4	20	10806031	3	17
10020006C	10	7	10030130	1	10	10080110A	3	23	10112412	3	2	10402532	4	16	10806061	3	21
10020008A	1	13	10030144A	2	1	10080120B	3	14	10112414	3	2	10402534A	4	14	10806068	3	25
10020010A	1	1	10031002	1	15	10080130A	3	5	10112416	3	2	10402538	6	15	10806286	8	22
10020014A	2	7	10051996	5	16	10080160A	3	24	10112418	3	32	10402540	6	16	10806288	6	9h
10020016B	2	14	10052000	9	10	10080174	3	18	10112430	10	19	10402542	6	17	10852180	6	5
10020020B	2	6	10052099	9	8	10080176	3	19	10112510D	10	25	10402544	4	19	10852180	8	11
10020024A	2	10	10052103	9	8	10080182C	3	16	10112512	3	15	10402546	6	18	10852180	8	18
10020029	2	3	10052141A	9	10s	10080182C	4	1	10115083A	9	10u	10455038	8	23	10852180	9	10c
10020030D	1	10	10052220	9	9	10080192C	4	3	10252014	5	3	10455046	1	8	10852212	8	15
10020032A	1	9	10053040	9	7	10080200A	4	2	10302100	7	1	10455048	1	8	10852464A	7	12
10020034B	2	16	10053042	9	7	10080210A	3	8	10302514A	3	7	10455100B	8	21	10852665	7	23
10020036C	1	6	10053044	9	7	10080220A	3	1	10303010B	5	10	10455120	9	10l	10853030	5	15
10020042B	1	12	10053050	9	10t	10080244	9	4	10303107	7	6	10502008	8	24	10853030	8	4
10020044C	2	1	10053109	6	9e	10080304B	9	1	10303110	9	10q	10502043	4	10	10853068A	7	18
10020046C	2	2	10053110	6	9b	10080306B	9	2	10303186	7	2	10502110	9	10v	10853070	8	14
10020048A	3	30	10053221	5	17	10102191	10	11	10351134	7	16	10502116	4	13	10853081	4	22
10020050B	2	13	10053224	7	15	10102424	10	11	10353538	10	4	10505074	9	10o	10853087	9	10z
10020052B	2	8	10053230C	3	33	10102595A	10	10	10355038	10	23	10505075	5	18	10853120	8	17
10025546	9	11	10053241	8	32	10102680A	10	8	10355054	10	22	10505081	4	23	10853176A	7	19
10025580	8	2	10053245	8	20	10102684A	10	8	10355060A	1	11	10505088A	9	10p	10853178	2	19
10025588	8	2	10056058D	6	9	10106096	10	13	10355172	6	9i	10554106A	10	21	10853186B	4	21
10025640	8	6	10058027	6	9c	10111015	10	12	10355190	10	6	10554108A	10	21	10853190	6	13



CODICE CODE	TAVOLA DRAWING	RIF. POS.	CODICE CODE	TAVOLA DRAWING	RIF. POS.	CODICE CODE	TAVOLA DRAWING	RIF. POS.	CODICE CODE	TAVOLA DRAWING	RIF. POS.	CODICE CODE	TAVOLA DRAWING	RIF. POS.	CODICE CODE	TAVOLA DRAWING	RIF. POS.
10853191A.....	6.....	13															
10853204.....	5.....	6															
10853204.....	7.....	17															
10853210.....	5.....	7															
10853210.....	7.....	4															
10853210.....	8.....	30															
10853210.....	9.....	10f															
10853408.....	5.....	19															
10853422.....	5.....	11															
10853432.....	6.....	7															
10855032C.....	7.....	10															
10857022B.....	8.....	3															
10857030.....	6.....	1															
10857050A.....	7.....	7															
10857050A.....	7.....	14															
10857080A.....	5.....	12															
10857210A.....	5.....	9															
10857211A.....	7.....	5															
10857250A.....	6.....	10															
10857260A.....	7.....	22															
10857260A.....	8.....	31															
10857270.....	5.....	8															
10857540B.....	8.....	19															
10857658B.....	7.....	11															
10859040.....	6.....	14															
10905010.....	7.....	13															
10905024.....	7.....	21															
10909010.....	5.....	5															
10909010.....	7.....	3															
10955015.....	10.....	5															
13401056.....	4.....	18															
13857080.....	8.....	33															
50302092B.....	1.....	16															



SANREMO coffee machines s.r.l.

Via Bortolan, 52

31050 Vascon di Carbonera (Treviso) ITALY

Tel. +39.0422.498900 - Fax. +39.0422.448935

www.sanremomachines.com - E-mail: info@sanremomachines.com