

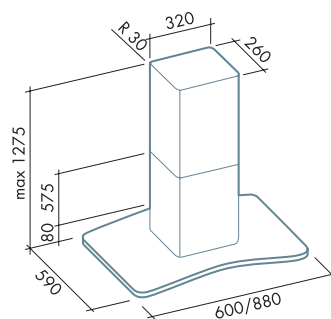
# ASTRA vetro

## Caratteristiche generali

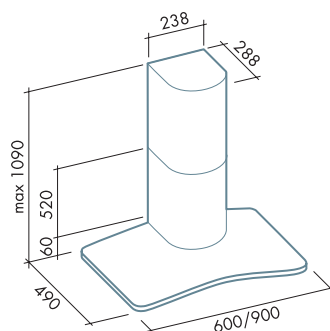
Acciaio inox (AISI 304) spazzolato. Filtro antigrasso metallico, asportabile e lavabile. Filtro carbone. Finitura bordo inferiore: mantello in vetro.

## General features

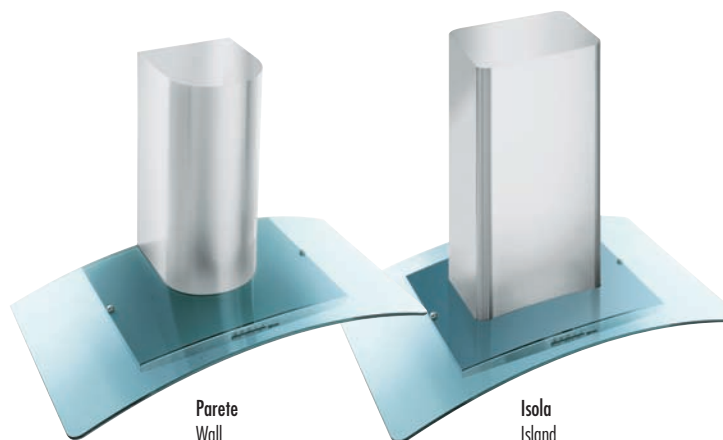
Scotch brite Stainless steel (AISI 304). Metallic grease filter, removable and washable. Charcoal filter. Lower frame finishing glass shell.



isola/island

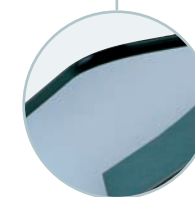
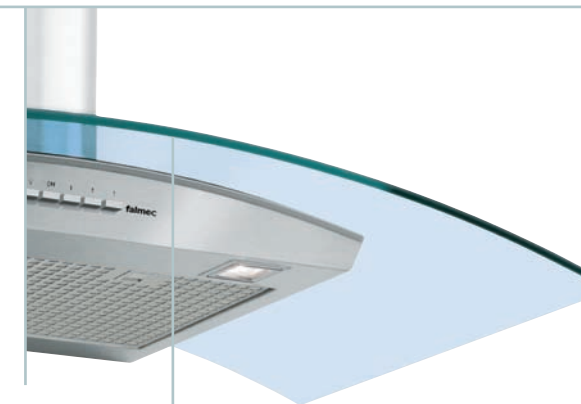


parete/wall



Parete  
Wall

Isola  
Island



Mantello in vetro temperato  
Tempered glass shell



NEW!  
Faretto alogeno con apertura "Easy Open"  
Halogen light with "Easy Open" system



isola/island

60

90

/



parete/wall

60

90

/

### motore e comandi / motor and control

450 m<sup>3</sup>/h 3 vel.    600 m<sup>3</sup>/h 3 vel.    800 m<sup>3</sup>/h 4 vel.

P.M.

P.E.L.

P.M.

P.E.L.

### filtri / filters

"Base"    "Top"    carbone/charcoal

278 x 301 mm

3

235 x 245 mm

3

### illuminazione / lighting

Halogen lamp    Dicroica lamp    Incandescent lamp    Fluorescent lamp

4 x 20 Watt

4 x 20 Watt

2 x 20 Watt

2 x 20 Watt

ACCESSORI OPZIONALI DISPONIBILI: Aspiratore sottotetto (solo versione 800 m<sup>3</sup>/h) - Aspiratore esterno (solo versione 800 m<sup>3</sup>/h) - Prolunga camino parete - Prolunga camino isola - Salvietta *Magic Steel*  
AVAILABLE OPTIONAL ACCESSORIES: Under-roof extractor fan (only 800 m<sup>3</sup>/h version) - Outdoor extractor fan (only 800 m<sup>3</sup>/h version) - Wall chimney extension - Island chimney extension - *Magic Steel* protective and cleaning wipe

# ASTRA vetro

Design

<sup>new</sup>  
450 600 800

AISI 304



Design