

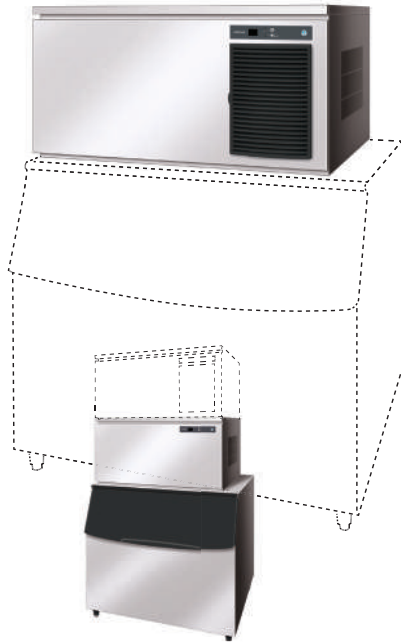


HOSHIZAKI

IM-24oDNE / IM-24oDWNE CUBE ICE MAKER

Product Description

The IM-24oD(W)NE is modular ice maker which has a production capacity of 240 kg per 24 hours. One of the key features is that it can be stacked on one or two IM-24oX(W)NE's, increasing the production capacity to either 480 kg or 720 kg per 24 hours.



- A closed water circuit offers the ultimate contamination protection, by reducing the number of points at which impurities can enter the ice making process.
- Hoshizaki ice makers are micro computer controlled, controlling the ice making process to perform at its best under varying circumstances, without having to make physical adjustments.
- A stainless steel exterior provides a hygienic and high quality finish.
- Foam injected polyurethane for insulation (HFC free), helps preserve the quality and consistency of the ice produced, reducing the number of production cycles.
- An easily cleanable air filter allows end users to carry out a routine cleaning schedule, extending product life expectancy and reducing the frequency and costs of maintenance call-outs.

Available Models

IM-24oDNE(21/23/32) (Air Cooled)
IM-24oXNE (21/23/32) (Air Cooled)
IM-24oDWNE (21/23/32) (Water Cooled)
IM-24oXWNE (21/23/32) (Water Cooled)

Ice Cubes

Model	Size	Shape
IM24oDNE/XNE/DWNE/XWNE	Large (Standard) 28 x 28 x 32 mm	
IM24oDNE-23/XNE-23	Medium / Large (23) 28 x 28 x 23 mm	
IM24oDNE-32/XNE-32	Extra large 32 x 32 x 32 mm	

Bins

Model	Type of Bin	Max. Bin Capacity
B-8o1SA, Top Kit IMD	Self contained	348kg



Production

Model	Ice Production per 24h (Dimple Size)	Temperature	Ice Production per Cycle	Water Consumption per 24h *
IM-24oDNE	Approx. 240kg (15mm) / 230kg (5mm) Approx. 230kg (15mm) / 220kg (5mm) Approx. 210kg (15mm) / 200kg (5mm)	AT.10°C, WT.10°C AT.21°C, WT.15°C AT.32°C, WT.21°C	Approx. 3.2kg / 140pcs	Approx. 0,76m ³ Approx. 0,38m ³ Approx. 0,35m ³
IM-24oDWNE	Approx. 240kg (15mm) / 230kg (5mm) Approx. 225kg (15mm) / 215kg (5mm) Approx. 215kg (15mm) / 205kg (5mm)	AT.10°C, WT.10°C AT.21°C, WT.15°C AT.32°C, WT.21°C	Approx. 3.2kg / 140 pcs	Approx. 0,76m ³ Approx. 0,37m ³ Approx. 0,36m ³

*) for ice making purposes only

Two year warranty

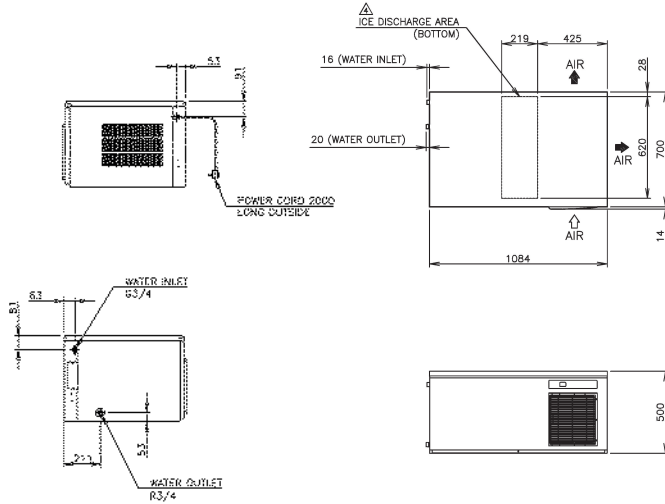
For more information visit our website at www.hoshizaki-europe.com
Hoshizaki Europe B.V. retains the right to change products and their specifications without prior notice.



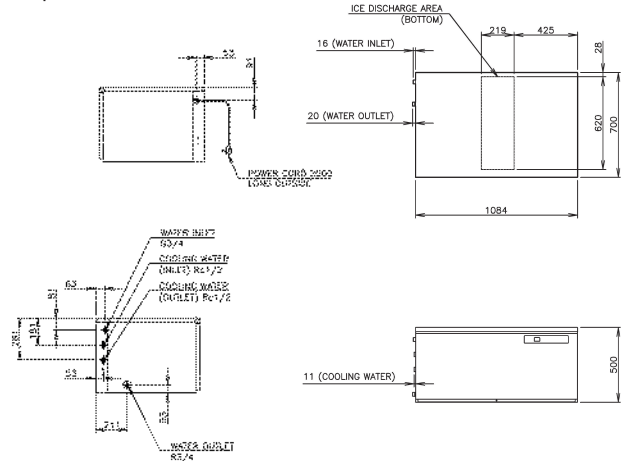
HOSHIZAKI

IM-24oDNE / IM-24oDWNE CUBE ICE MAKER

IM-24oDNE



IM-24oDWNE



Specification	IM-24oDNE (Air Cooled)	IM-24oDWNE (Water Cooled)
AC Supply Voltage	1 Phase 220-240V 50Hz	1 Phase 220-240V 50Hz
Amperage (AT.32°C, WT.21°C)	6,6A	6,3A
Electric Consumption (AT.32°C, WT.21°C)	1330W	1300W
Exterior	Stainless Steel	Stainless Steel
Connections-Electric	X-Type Con. (with CONT. Plug or UK Plug)	X-Type Con. (with CONT. Plug or UK Plug)
Connections-Water Supply	Inlet 3/4" (connected at left side)	Inlet 3/4" (connected at left side)
Connections-Drain	Outlet 3/4" (connected at left side)	Outlet 3/4" (connected at left side)
Ice Making System	Closed Cell Type	Closed Cell Type
Condenser	Air-cooled, Fin and Tube type	Water-Cooled, Tube in Tube type
Heat Rejection (AT.32°C, WT.21°C)	2870W	2850W
Refrigerant Control	Thermostatic Expansion Valve	Thermostatic Expansion Valve
Refrigerant Charge	R404A 480g	R404A 450g
Ice Making Control System	Thermistor, Timer	Thermistor, Timer
Bin Control System	Microswitch with Time Delay Board	Microswitch with Time Delay
Electrical Protection	Class I Appliance, 5A Fuse	Class I Appliance, 5A Fuse
Compressor Protection	Auto-reset Overload Protector	Auto-reset Overload Protector
Ice Maker Protection	Interlock by Controller Board	Interlock by Controller Board
Dimensions Product excl. Packaging	1084 x 700 x 500 (W x D x H, mm)	1084 x 700 x 500 (W x D x H, mm)
Dimensions Product incl. Packaging	1196 x 825 x 640 (W x D x H, mm)	1196 x 825 x 640 (W x D x H, mm)
Weight Gross / Net	106 kg / 88 kg	105 kg / 87 kg

Operation Requirements

Ambient Temperature	1 - 40°C
Water Supply Temperature	5 - 35°C
Water Supply Pressure	0,7-7,8 bar (0,07-0,78MPa)
Voltage Range	Rated Voltage ± 6%

Accessories

Scoop
Installation Kit
Brace