



ELECTRIC FRYERS

CONTENTS

A	GENERAL INFORMATION	Page 2
A1	PRODUCT DESCRIPTION	Page 3
A2	TECHNICAL INFORMATION	Page 3
A3	TRANSPORTATION	Page 4
A4	UNPACKING	Page 4
B	INSTALLATION	Page 4
C	SAFETY INSTRUCTIONS.....	Page 5
D	OPERATION	Page 6
E	CLEANING & MAINTENANCE.....	Page 7
F	TROUBLESHOOTING	Page 8
G	SPARE PART LIST- EXPLODING DRAWING	Page 9
H	ELECTRIC CIRCUIT SCHEMA	Page 17

A GENERAL INFORMATION

Before installing the appliance, read operation and maintenance instructions carefully. Wrong installation and part changing may damage the product or may cause injury on people. These are not in our company's responsibility to damage the appliance intentionally, negligence, detriments because of disobeying instructions and regulations, wrong connections. Unauthorized intervention to appliance invalidates the warranty.

1. This instruction manual should be kept in a safe place for future reference.
2. **Installation should be made in accordance with ordinances and security rules of that country by a qualified service personnel.**
3. This appliance has to be used by trained person.
4. Please turn off the appliance immediately in the event of malfunction or failure. The appliance should be repaired only by authorized service personnel. Please demand original spare part.

ELECTRIC FRYERS

A1 PRODUCT DESCRIPTION

*The Professional Electric Fryers ,that provides high efficiency has been designed to be used in industrial kitchens.

Product Code	Dimensions (mm)	Weight (kg)	Packaging Dimensions (mm)
EMP.7FE010	400x730x285	23	480x800x590
EMP.7FE020	800x730x285	51	780x830x1050
EMP.9FE010	400x900x850	61	430x950x1050
EMP.9FE020	800x900x850	138	830x950x1050

A2 TECHNICAL INFORMATION

Product Code	Electric Entrance	Cable (mm ²)	Power (KW)	Capacity (lt)
EMP.7FE010	400 V. AC 3N PE	5x4	11	18
EMP.7FE020	400 V. AC 3N PE	5x4	22	2x18
EMP.9FE010	400 V. AC 3N PE	5x4	12	24
EMP.9FE020	400 V. AC 3N PE	5x6	24	2x24

A3 TRANSPORTATION

*This appliance can be moved by hand from area to area.Do not crash and drop the appliance while transporting.

A4 UNPACKING

*Please unpack the package according to the security codes and ordinances of current country and get rid from the pack.Parts which contacts with food are produced by stainless steel.All plastic parts are marked by material's symbol.

*Please check that all the parts of appliance had come completely and if they are damaged or not during the shipping.

B INSTALLATION

*Please place the product to straight and sturdy ground,please take necessary steps against possibility of overturn.

*Technician who will serve for installation and service for the appliance must be professional on this subject and must have installation and service licenses by the company.

*Connection to Electric Power Supply must be done by authorized person.

*Please be sure that the voltage connected to appliance must be equal with the voltage which is on appliance's label.



This appliance must be connected to an earthed outlet in accordance with safety rules and standards.












*Appliance's earthing must be connected to earthing line on panel which is nearest to electric installation.

*Connection to the main fuse and leak current fuse must be done in accordance with the current regulations.

*If the location where electric fryers placed is covered with nonflammable heat insulation material,the distance between them must be 5 cm.Otherwise it should be at least 20 cm.The appliance shouldn't be operated under chimney hood.

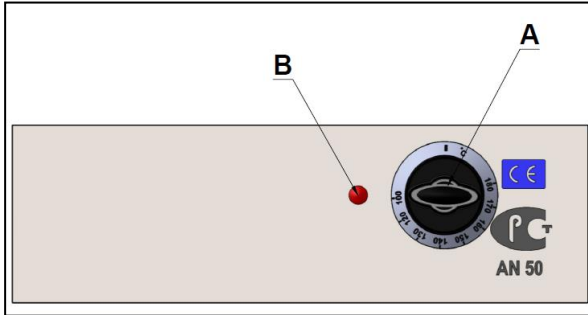
ELECTRIC FRYERS

C SAFETY INSTRUCTIONS

-  *Do not use the appliance in insufficient lighted place.
-  *Do not touch the moving attachments while the appliance operates.
-  *Do not install the appliance in the presence of flammable or explosive materials.
-  *Do not operate the appliance when the machine is empty.
-  *Do not load so less or more than appliance's capacity.
-  *Do not attempt to use the appliance without suitable protective equipments.
-  *Because of any reason if there is a fire or flame flare where the appliance is used, turn off all gas valves and electric contactor switch quickly and use fire extinguisher. Never use water to extinguish the fire.
-  *All the damages because of not having earthing connection will not be on warranty.
-  *Level of oil mustn't be less than minimum level. Otherwise it can be ignited.
-  *Level of oil mustn't be more than maximum level. Otherwise the oil that overflows from fryer may cause combustion.
-  *Do not put the unstrained and frozen foods into the hot oil.

D OPERATION

*Control Panel;



A : Heat setting button

B : Indicator lamp

* Operating;

- Before operating the fryer, place filter and filter into the tank.
- Turn off the valve that is in fryer.
- Open the fryer's lid and add oil into the tank. Pay attention to minimum and maximum lines while adding oil.
- Plug in the appliance.
- Set the thermostat switch to desired heat in order to operate the appliance.
- Fryers are 2 type; single-tank, double-tank. There are 2 resistances and thermostats in every tank. If thermostat switch is set to on position, the heaters start to work and indicator lamp that is on thermostat signals.
- When the oil temperature reaches indicator temperature, heaters are disabled through the agency of limit thermostat. When the oil temperature is lower than indicator temperature, the limit thermostat steps in and heaters start to work.
- Put the materials that will be fried into the tank in the basket during oil heating.
- After putting the materials into the tank close the lid and start to fry
- Add oil when the oil is at minimum level.
- After frying process, switch the thermostat to (0) position and unplug the appliance.
- Open the lid and take off the basket from tank
- In order to remove the oil from fryer, first leave the oil to be cooled. Then attach the oil drainage pipe to the oil drainage hole.
- Slide the sliding sled to the right to remove the oil.

ELECTRIC FRYERS

E CLEANING & MAINTENANCE

➤ **CLEANING AND MAINTENANCE AFTER EVERY USE**

- Always turn off the appliance and disconnect from the power supply before cleaning.
- Clean the outer surface of the appliance with a wet cloth and chrome shiner.
- Do not use abrasive cleaning chemicals as these can leave harmful residues.
- Do not clean the appliance by spraying water directly, otherwise electric motor may get damaged.
- While cleaning the inside of the fryer, lift the heater handle, unsettle the heaters that are in the tank and take them to vertical position. Take off the baskets and filter that are in the tank.

➤ **PERIODIC CLEANING AND MAINTENANCE**

- Maintenance should be done by qualified person.
- Get the periodic maintenance of the appliance once in every 15 days.
- Clean the oil tank in periodic times. Fill the tank with water and heat. This process will help to remove frozen and stucked oil.
- Maintenance of the appliance's contactor should be done by compressed air according to frequency of use.

F TROUBLESHOOTING

THE APPLIANCE DOESN'T OPERATE	<ol style="list-style-type: none">1. Check if the appliance is plugged in.2. Check the electrical connections and voltage.3. Check the resistances.
--------------------------------------	---

THE APPLIANCE DOESN'T FRY WELL	<ol style="list-style-type: none">1. Check the level of oil.2. Check the thermostat switch. If the oil can not be heated as desired, contact with authorized service.
---------------------------------------	--

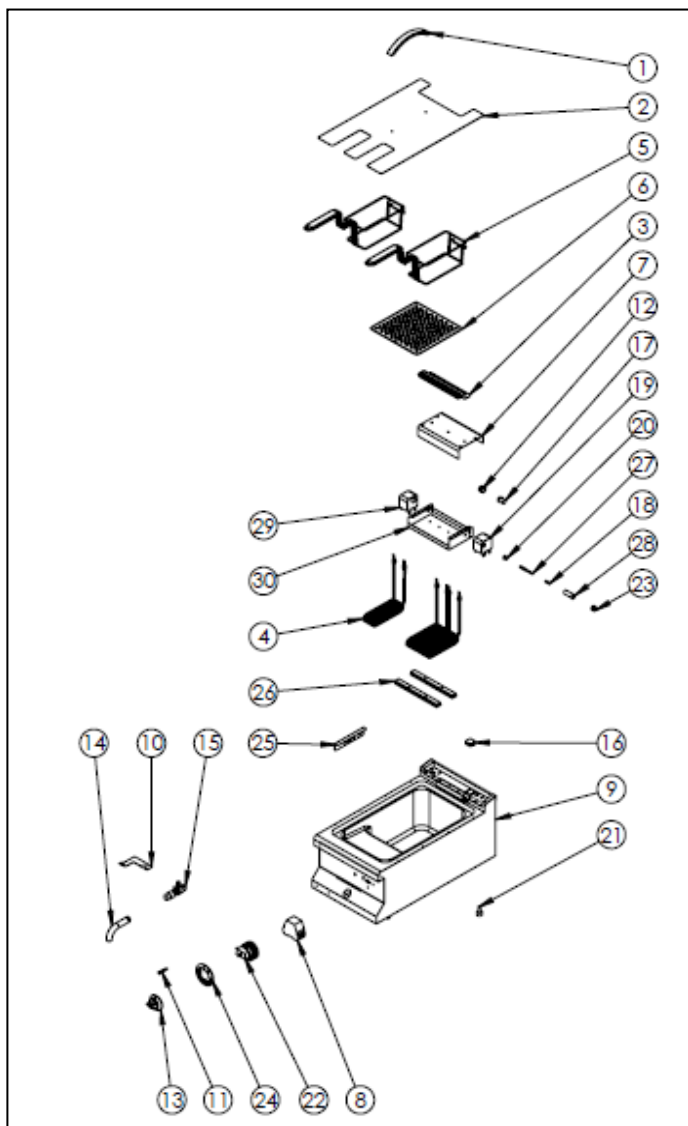
THE APPLIANCE STOPPED	<ol style="list-style-type: none">1. If the oil temperature reaches to 230°C while the appliance is operating, limit thermostat will stop the circuit. In this situation the appliance can not be operated. Leave the oil to be cooled to operate again. Then take off the thermostat switch that is on front panel and press the red button with a thin tool.2. The appliance can stop due to low voltage. In this situation check the voltage.
------------------------------	---

<ul style="list-style-type: none">• If frying is not done at suitable quality• If any function of security doesn't work<ul style="list-style-type: none">➤ Do not use the appliance.

***If these problems are still going on, contact with our authorized services.**

ELECTRIC FRYERS

G SPARE PART LIST-EXPLODING DRAWING



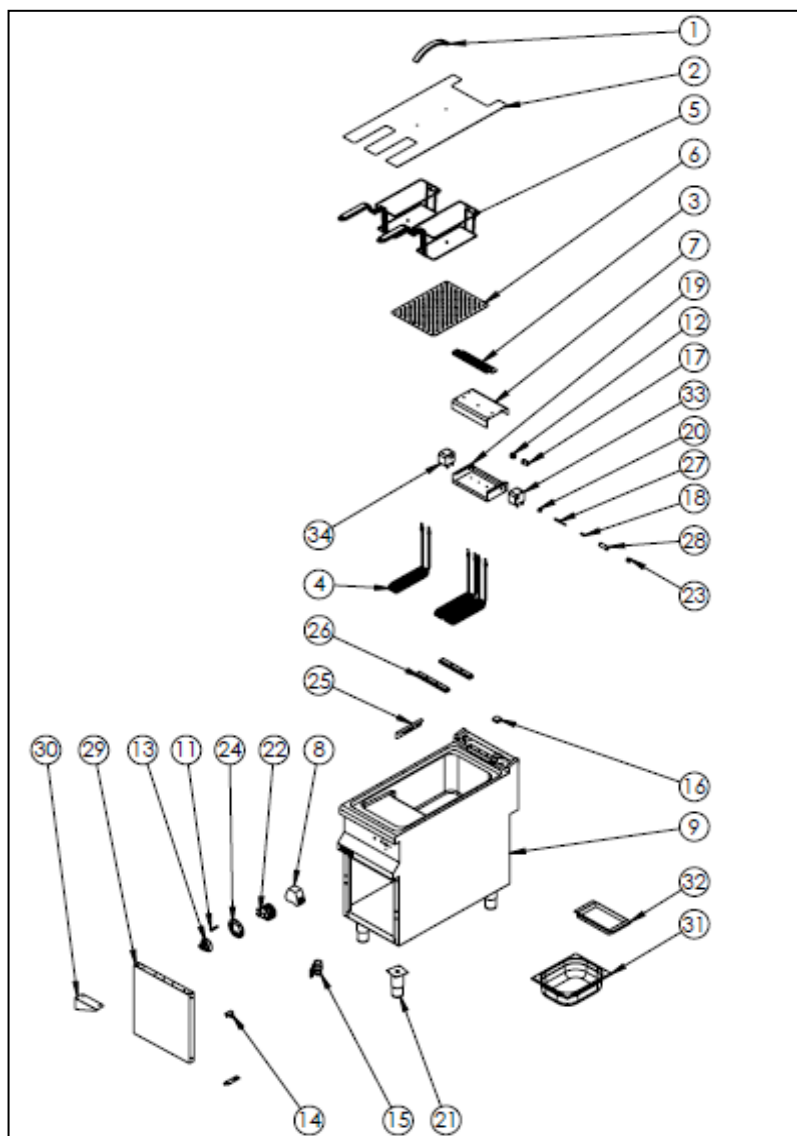
EMP.7FE010

G SPARE PART LIST-EXPLODING DRAWING

PRODUCT CODE:EMP.7FE010		
NO	PRODUCT NAME	P.CODE
1	HANDLE	Y.EMP.7FE010.001
2	LID	Y.EMP.7FE010.002
3	BASKET HANGER SHEETMETAL	Y.EMP.7FE010.003
4	RESISTANCE	Y.EMP.7FE010.004
5	BASKET	Y.EMP.7FE010.005
6	BASKET BOTTOM SHEETMETAL	Y.EMP.7FE010.006
7	RESISTANCE CONNECTION MIDDLE TOP SHEETMETAL	Y.EMP.7FE010.007
8	CONTACTOR MTF41	Y.EMP.7FE010.008
9	BASE FRAME	Y.EMP.7FE010.009
10	VALVE HANDLE	Y.EMP.7FE010.010
11	WARNING LAMP	Y.EMP.7FE010.011
12	YELLOW HINGE RING	Y.EMP.7FE010.012
13	BUTTON	Y.EMP.7FE010.013
14	EVACUATION HOSE	Y.EMP.7FE010.014
15	VALVE	Y.EMP.7FE010.015
16	SWITCH	Y.EMP.7FE010.016
17	CHROME HINGE RING	Y.EMP.7FE010.017
18	LOCK SPRING	Y.EMP.7FE010.018
19	RESISTANCE CONNECTION SHEETMETAL-RIGHT	Y.EMP.7FE010.019
20	LOCK CONNECTION YELLOW NUT	Y.EMP.7FE010.020
21	FEET	Y.EMP.7FE010.021
22	THERMOSTAT 135-180	Y.EMP.7FE010.022
23	LOCK HANDLE	Y.EMP.7FE010.023
24	BUTTON BUFFER	Y.EMP.7FE010.024
25	THERMO PART CONNECTION SHEETMETAL	Y.EMP.7FE010.025
26	RESISTANCE SUPPORT SHEETMETAL	Y.EMP.7FE010.026
27	HINGE LOCK- INNER	Y.EMP.7FE010.027
28	HINGE LOCK- OUTER	Y.EMP.7FE010.028
29	RESISTANCE CONNECTION SHEETMETAL-LEFT	Y.EMP.7FE010.029
30	RESISTANCE CONNECTION MIDDLE BOTTOM SHEETMETAL	Y.EMP.7FE010.030

ELECTRIC FRYERS

G SPARE PART LIST-EXPLODING DRAWING



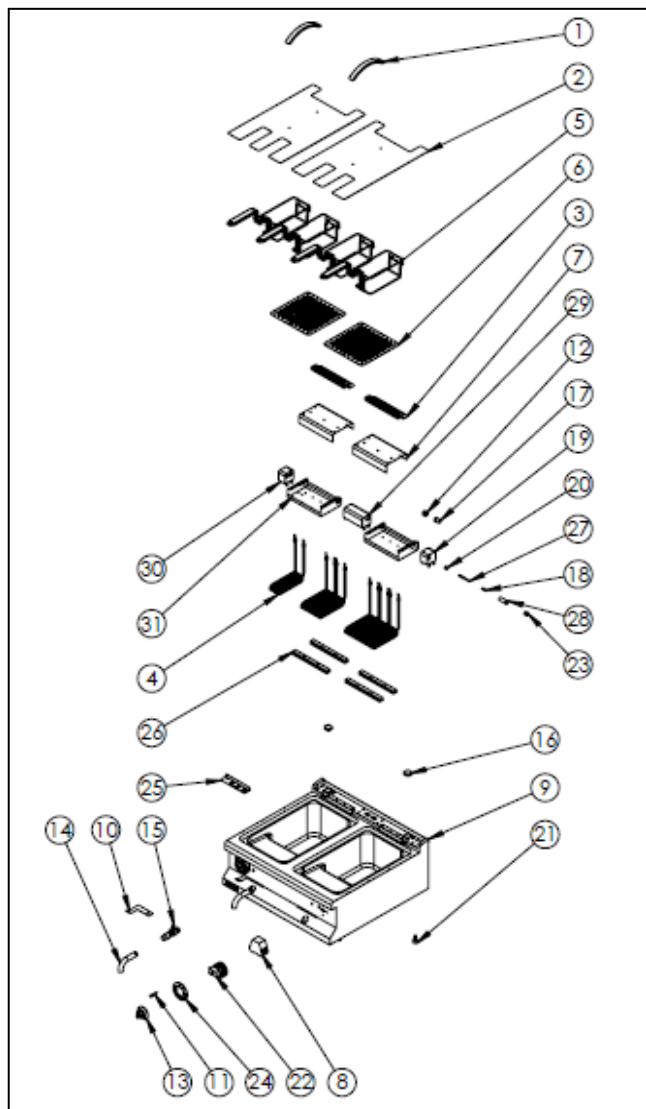
EMP.9FE010

G SPARE PART LIST-EXPLODING DRAWING

PRODUCT CODE: EMP.9FE010		
NO	PRODUCT NAME	P.CODE
1	HANDLE	Y.EMP.9FE010.001
2	LID	Y.EMP.9FE010.002
3	BASKET HANGER SHEETMETAL	Y.EMP.9FE010.003
4	RESISTANCE	Y.EMP.9FE010.004
5	BASKET	Y.EMP.9FE010.005
6	BASKET HOLDER	Y.EMP.9FE010.006
7	RESISTANCE CONNECTION MIDDLE TOP SHEETMETAL	Y.EMP.9FE010.007
8	CONTACTOR 3TF41	Y.EMP.9FE010.008
9	BASE FRAME	Y.EMP.9FE010.009
10	MAGNET,	Y.EMP.9FE010.010
11	WARNING LAMP	Y.EMP.9FE010.011
12	YELLOW HINGE RING	Y.EMP.9FE010.012
13	BUTTON	Y.EMP.9FE010.013
14	HINGE GROUP	Y.EMP.9FE010.014
15	VALVE	Y.EMP.9FE010.015
16	SWITCH	Y.EMP.9FE010.016
17	CHROME HINGE RING	Y.EMP.9FE010.017
18	LOCK SPRING	Y.EMP.9FE010.018
19	RESISTANCE CONNECTION MIDDLE BOTTOM SHEETMETAL	Y.EMP.9FE010.019
20	LOCK CONNECTION YELLOW NUT	Y.EMP.9FE010.020
21	FEET	Y.EMP.9FE010.021
22	THERMOSTAT 135-180	Y.EMP.9FE010.022
23	LOCK HANDLE	Y.EMP.9FE010.023
24	BUTTON BUFFER	Y.EMP.9FE010.024
25	THERMOCUPL CONNECTION SHEETMETAL	Y.EMP.9FE010.025
26	RESISTANCE SUPPORT SHEETMETAL	Y.EMP.9FE010.026
27	HINGE LOCK- INNER	Y.EMP.9FE010.027
28	HINGE LOCK- OUTER	Y.EMP.9FE010.028
29	LID	Y.EMP.9FE010.029
30	HANDLE	Y.EMP.9FE010.030
31	VESSEL	Y.EMP.9FE010.031
32	FILTER	Y.EMP.9FE010.032
33	RESISTANCE CONNECTION SHEETMETAL-RIGHT	Y.EMP.9FE010.033
34	RESISTANCE CONNECTION SHEETMETAL-LEFT	Y.EMP.9FE010.034

ELECTRIC FRYERS

G SPARE PART LIST-EXPLODING DRAWING



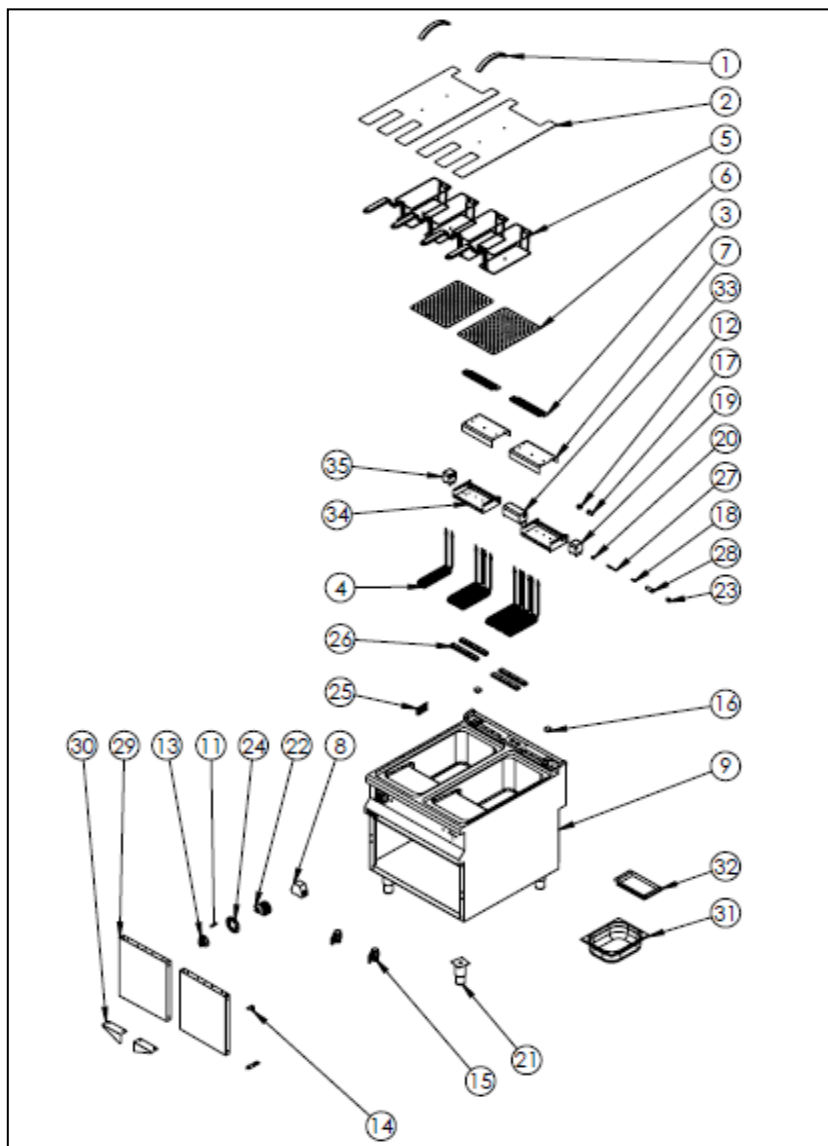
EMP.7FE020

G SPARE PART LIST-EXPLODING DRAWING

PRODUCT CODE:EMP.7FE020		
NO	PRODUCT NAME	P.CODE
1	HANDLE	Y.EMP.7FE020.001
2	LID	Y.EMP.7FE020.002
3	BASKET HANGER SHEETMETAL	Y.EMP.7FE020.003
4	RESISTANCE	Y.EMP.7FE020.004
5	BASKET	Y.EMP.7FE020.005
6	BASKET BOTTOM SHEETMETAL	Y.EMP.7FE020.006
7	RESISTANCE CONNECTION MIDDLE TOP SHEETMETAL	Y.EMP.7FE020.007
8	CONTACTOR 3TF41	Y.EMP.7FE020.008
9	BASE FRAME	Y.EMP.7FE020.009
10	VALVE HANDLE	Y.EMP.7FE020.010
11	WARNING LAMP	Y.EMP.7FE020.011
12	YELLOW HINGE RING	Y.EMP.7FE020.012
13	BUTTON	Y.EMP.7FE020.013
14	DRAINAGE PIPE	Y.EMP.7FE020.014
15	VALVE	Y.EMP.7FE020.015
16	SWITCH	Y.EMP.7FE020.016
17	CHROME HINGE RING	Y.EMP.7FE020.017
18	LOCK SPRING	Y.EMP.7FE020.018
19	RESISTANCE CONNECTION SHEETMETAL-RIGHT	Y.EMP.7FE020.019
20	LOCK CONNECTION YELLOW NUT	Y.EMP.7FE020.020
21	FEET	Y.EMP.7FE020.021
22	THERMOSTAT 135-180	Y.EMP.7FE020.022
23	LOCK HANDLE	Y.EMP.7FE020.023
24	BUTTON BUFFER	Y.EMP.7FE020.024
25	THERMO PART CONNECTION SHEETMETAL	Y.EMP.7FE020.025
26	RESISTANCE SUPPORT SHEETMETAL	Y.EMP.7FE020.026
27	HINGE LOCK- INNER	Y.EMP.7FE020.027
28	HINGE LOCK- OUTER	Y.EMP.7FE020.028
29	RESISTANCE MIDDLE CONNECTION SHEETMETAL	Y.EMP.7FE020.029
30	RESISTANCE CONNECTION SHEETMETAL-LEFT	Y.EMP.7FE020.030
31	RESISTANCE CONNECTION MIDDLE BOTTOM SHEETMETAL	Y.EMP.7FE020.031

ELECTRIC FRYERS

G SPARE PART LIST-EXPLODING DRAWING



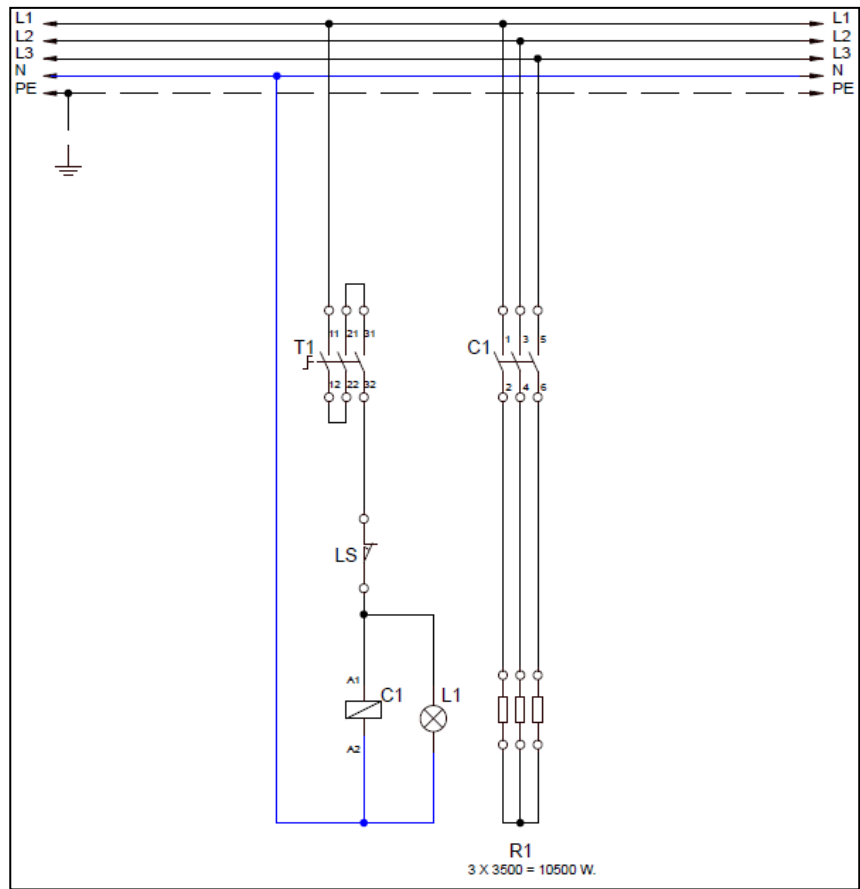
EMP.9FE020

G SPARE PART LIST-EXPLODING DRAWING

PRODUCT CODE: EMP.9FE020		
NO	PRODUCT NAME	P.CODE
1	HANDLE	Y.EMP.9FE020.001
2	LID	Y.EMP.9FE020.002
3	BASKET HANGER SHEETMETAL	Y.EMP.9FE020.003
4	RESISTANCE	Y.EMP.9FE020.004
5	BASKET	Y.EMP.9FE020.005
6	BASKET HOLDER	Y.EMP.9FE020.006
7	RESISTANCE CONNECTION MIDDLE TOP SHEETMETAL	Y.EMP.9FE020.007
8	CONTACTOR 3TF41	Y.EMP.9FE020.008
9	BASE FRAME	Y.EMP.9FE020.009
10	MAGNET,	Y.EMP.9FE020.010
11	WARNING LAMP	Y.EMP.9FE020.011
12	YELLOW HINGE RING	Y.EMP.9FE020.012
13	BUTTON	Y.EMP.9FE020.013
14	HINGE GROUP	Y.EMP.9FE020.014
15	VALVE	Y.EMP.9FE020.015
16	SWITCH	Y.EMP.9FE020.016
17	CHROME HINGE RING	Y.EMP.9FE020.017
18	LOCK SPRING	Y.EMP.9FE020.018
19	RESISTANCE CONNECTION SHEETMETAL-RIGHT	Y.EMP.9FE020.019
20	LOCK CONNECTION YELLOW NUT	Y.EMP.9FE020.020
21	FEET	Y.EMP.9FE020.021
22	THERMOSTAT 135-180	Y.EMP.9FE020.022
23	LOCK HANDLE	Y.EMP.9FE020.023
24	BUTTON BUFFER	Y.EMP.9FE020.024
25	THERMOCUPL CONNECTION SHEETMETAL	Y.EMP.9FE020.025
26	RESISTANCE SUPPORT SHEETMETAL	Y.EMP.9FE020.026
27	HINGE LOCK- INNER	Y.EMP.9FE020.027
28	HINGE LOCK- OUTER	Y.EMP.9FE020.028
29	LID	Y.EMP.9FE020.029
30	HANDLE	Y.EMP.9FE020.030
31	VESSEL	Y.EMP.9FE020.031
32	FILTER	Y.EMP.9FE020.032
33	RESISTANCE MIDDLE CONNECTION SHEETMETAL	Y.EMP.9FE020.033
34	RESISTANCE CONNECTION MIDDLE BOTTOM SHEETMETAL	Y.EMP.9FE020.034
35	RESISTANCE CONNECTION SHEETMETAL-LEFT	Y.EMP.9FE020.035

ELECTRIC FRYERS

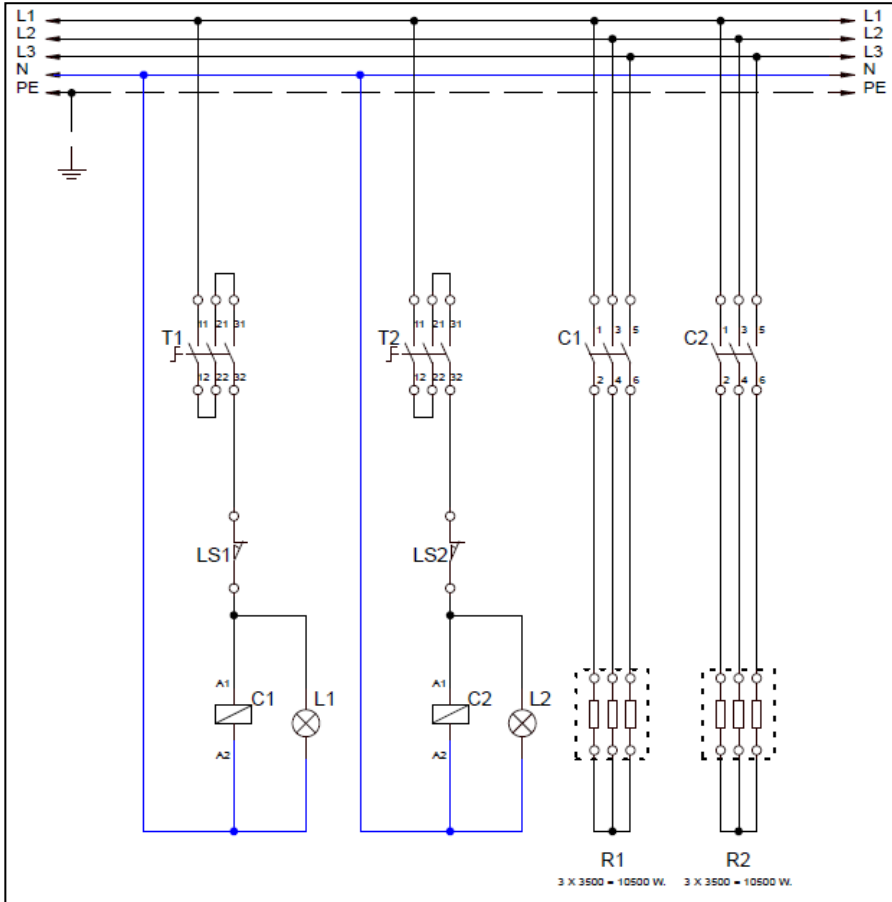
H ELECTRIC CIRCUIT SCHEMA



EMP.7FE010

T1	LS	C1	L1	R1
Thermostat (135-180°C)	Limit Switch	Contactor	Thermostat signal lamp	Resistance

H ELECTRIC CIRCUIT SCHEMA

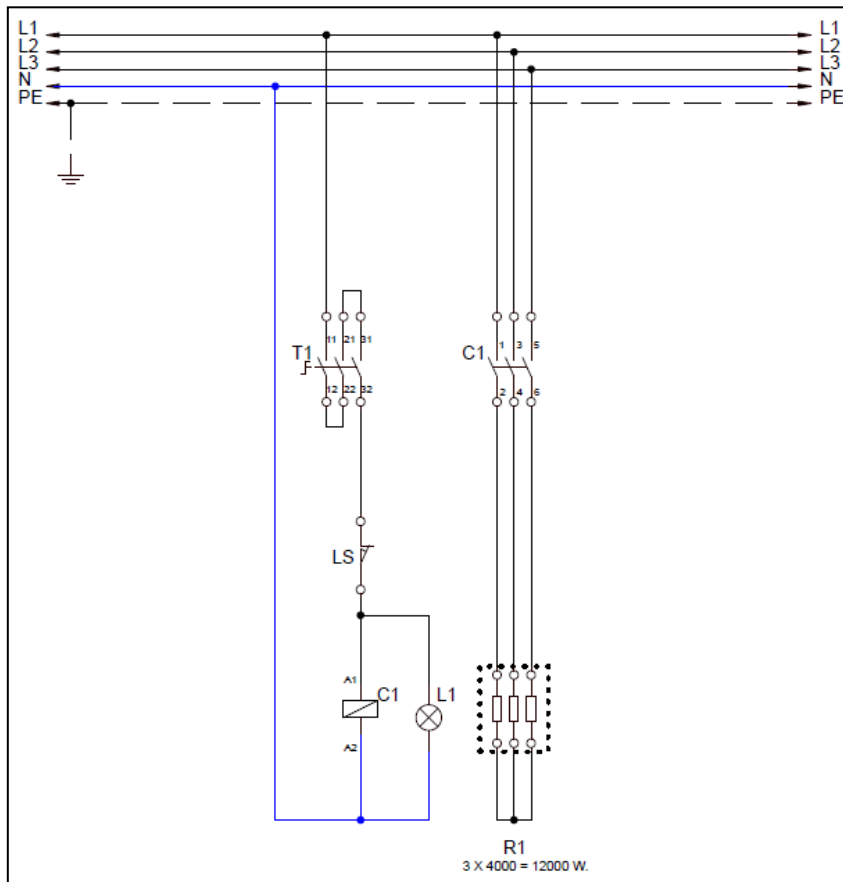


EMP.7FE020

T1.T2	LS1.LS2	C1.C2	L1.L2	R1.R2
Thermostat (135-180°C)	Limit Switch	Contactore	Thermostat signal lamp	Resistance

ELECTRIC FRYERS

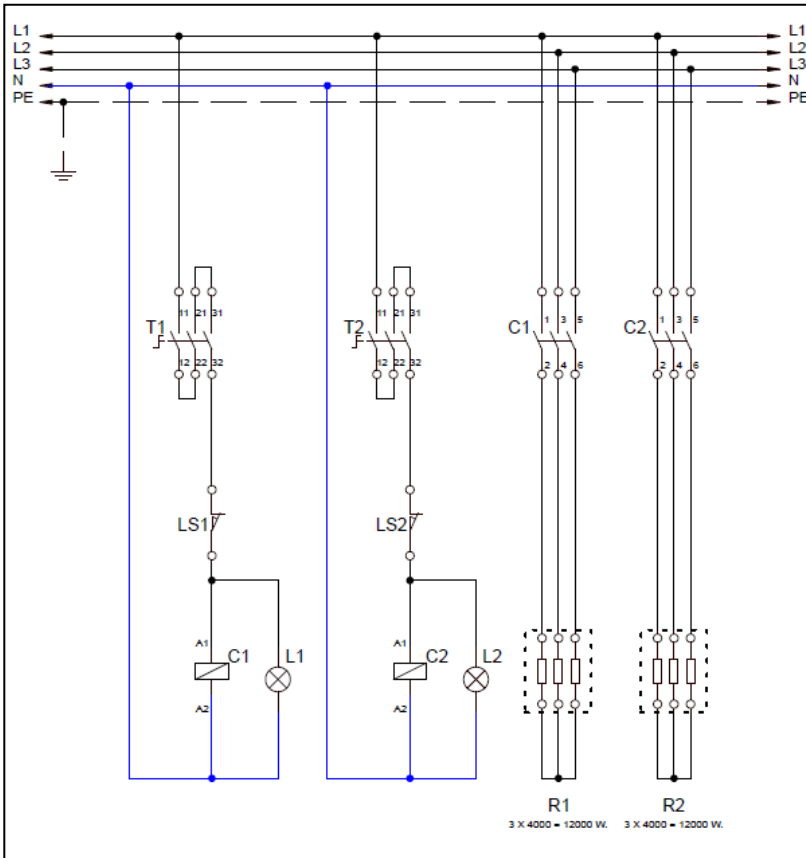
H ELECTRIC CIRCUIT SCHEMA



EMP.9FE010

T1	LT	LS	C1	L1	R1.
Thermostat (135-180°C)	Limit thermostat 230°C	Limit Switch	Contactor	Thermostat signal lamp	Resistance

H ELECTRIC CIRCUIT SCHEMA



EMP.9FE020

T1.T2	LT1.LT2	LS1.LS2	C1.C2	L1.L2	R1.R2.
Thermostat (135-180°C)	Limit thermostat 230°C	Limit Switch	Contactor	Thermostat signal lamp	Resistance 4000W 230V