

Apach COOK *Line*

Catalogo parti di ricambio valido
dalla matricola 0000001 (31.10.2006) ad oggi (28.02.2023)

Catalogue pieces detachees
valable à partir du numero de Série n. 0000001 (31.10.2006) jusqu'à aujourd'hui
(28.02.2023)

Ersatzteilkatalog
gültig ab Serien-Nr. 0000001 (31.10.2006) bis heute (28.02.2023)

Spare parts catalogue
valid from serial no. 0000001 (31.10.2006) up today (28.02.2023)

Catálogo de peças de reposição
válido do número de série 0000001 (31.10.2006) até hoje (28.02.2023)

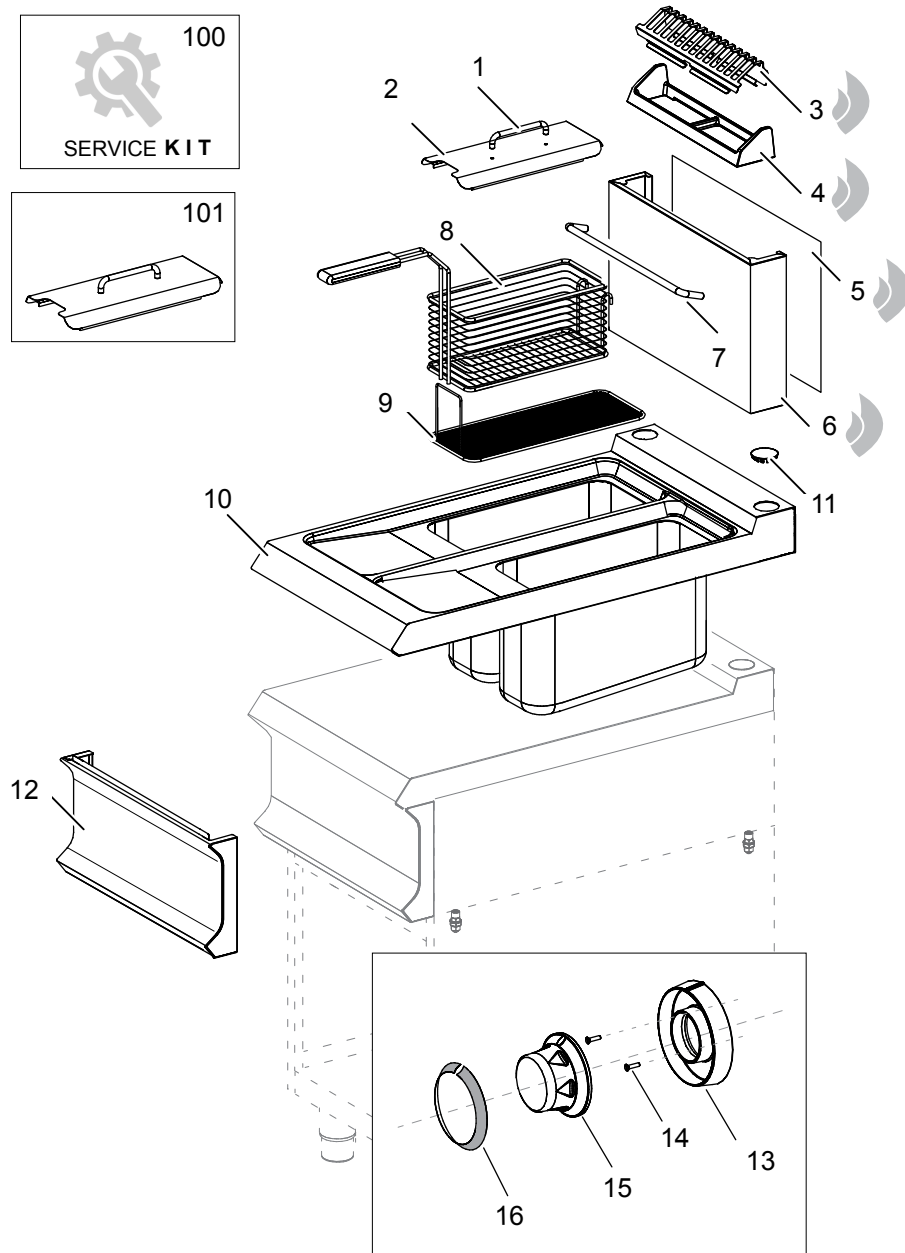
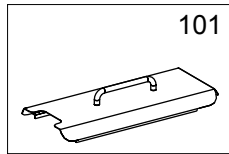
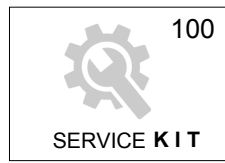
Le informazioni sono considerate non vincolanti. Le immagini rappresentate sono puramente indicative. Il produttore si riserva il diritto di apportare modifiche in qualsiasi momento senza preavviso.

Les informations données ne sont pas contraignantes. Les images montrées sont à titre indicatif. Le producteur se réserve le droit d'apporter des modifications sans préavis.

Die im vorliegenden Dokument aufgeführten Informationen und Bilder sind unverbindlich. Der Hersteller behält sich das Recht vor, jederzeit ohne vorherige Ankündigung Änderungen vorzunehmen

Info and drawing could be slightly different from reality and they cannot be considered as compelling. Manufacturer can modify info anytime without forewarning.

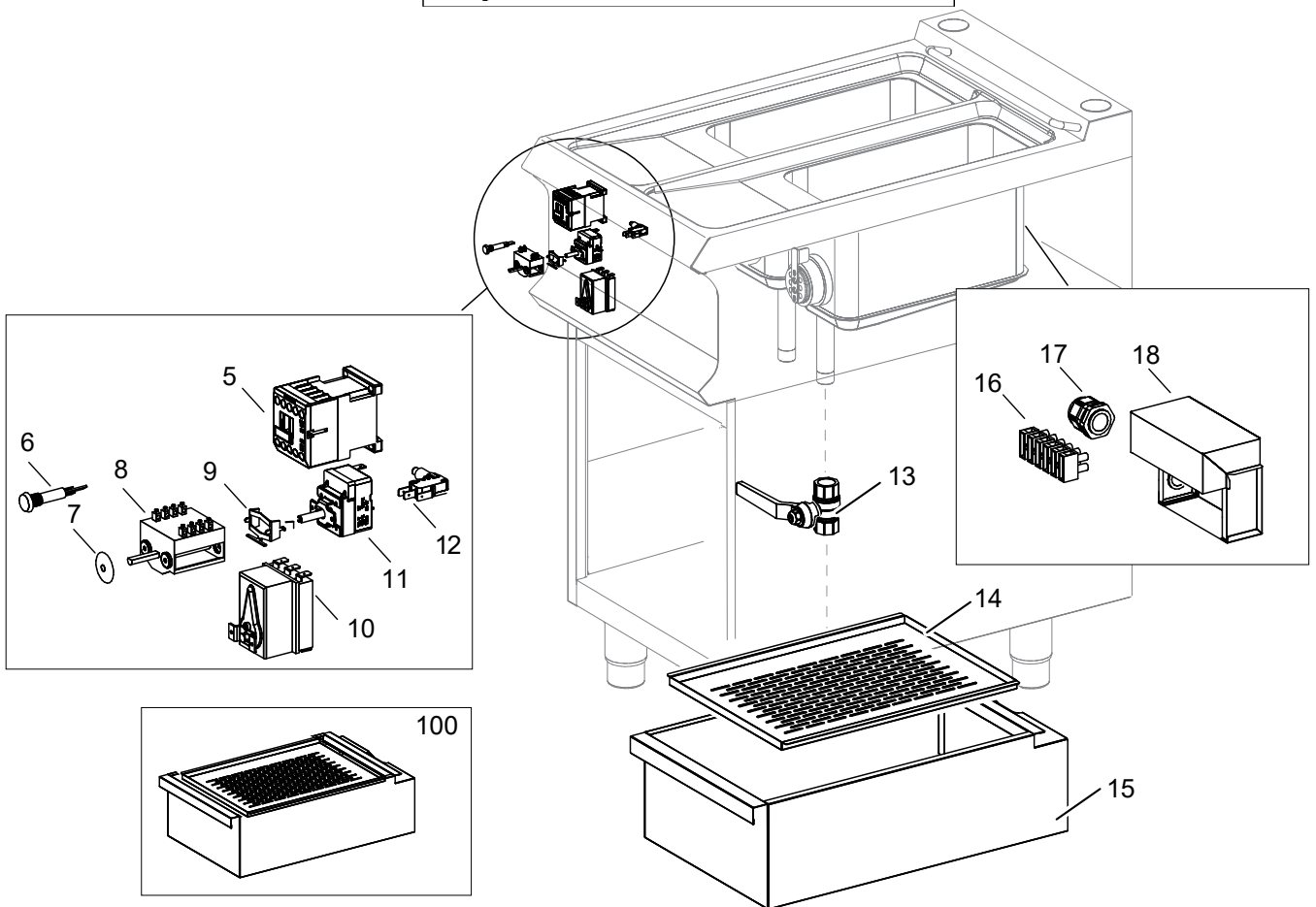
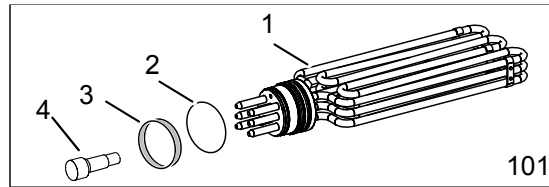
As Informações e desenhoS podem estar um pouco diferente da realidade e são puramente indicativas. O fabricante pode modificar estas informações a qualquer momento sem aviso prévio.



Nr.	Code	Title	Recommended
1.	RTBF800020	HANDLE CROMATO	
2.	201395	TANK LID	
3.	202046	CHIMNEY GRILL	
7.	182906	PLATE	
8.	A770000488	BASKET FOR FRYER	
9.	RTCU700449	BASKET SUPPORT GRID	
10.	202175	ARBEITSPLATTE + WANNE	
12.	202367	CONTROL PANEL	
15.	202200	COMMUTATOR KNOB	
16.	200486	THERMOSTAT RING	
100.	ECS7049	RECOMMENDED PARTS FOR FRE74 2V	
101.	RIC0005023	KIT COVER	



Nr.	Code	Title	Recommended
6.	200036	<i>BACK SIDE TALL</i>	
7.	200033	<i>BACK SIDE LOWER</i>	
8.	200032	<i>LATERAL SIDE LEFT</i>	
9.	200031	<i>LATERAL SIDE RIGHT</i>	
11.	200678	<i>LOWER FLOOR</i>	
12.	200030	<i>CROSS FEET</i>	
13.	RTCU700277	<i>FOOT</i>	
14.	200029	<i>FRONT / REAR CROSS MEMBER</i>	
15.	181529	<i>DOOR MAGNET</i>	
16.	200064	<i>RIGHT HINGE</i>	
17.	200065	<i>LEFT HINGE</i>	
18.	201706	<i>HANDLE TERMINAL</i>	
20.	201926	<i>HANDLE</i>	
100.	RIC0005129	<i>CABINET DOOR COMPLETE</i>	
101.	RIC0005130	<i>HANDLE CUPBOARD</i>	



Nr.	Code	Title	Recommended
1.	180952	HEATING ELEMENT 5,25KW	✓
2.	RTMIN00283	SEEGER	✓
3.	RTCU700565	GASKET FOR HEATING ELEMENT	✓
4.	PACU701198	BULB STOPPER CAP	✓
5.	186773	RELAIS	✓
6.	166466	ORANGE LAMP LIGHT	✓
7.	RTCU800185	GASKET FOR COMMUTATOR ROD	✓
8.	RTCU900110	THERMOSTAT COMMUTATOR	✓
9.	RTCU900112	HIGH BRACKET COMMUTATOR/THERMOSTAT	✓
10.	182100	SAFETY THERMOSTAT	✓
11.	180498	WORKING THERMOSTAT T.180°C	✓
12.	RTBF900277	MICRO SWITCH	✓
13.	177037	OIL DRAIN TAP	✓
14.	200679	OIL TANK FILTRE	
15.	200100	OIL TANK	
16.	RTBF900045	TERMINAL BOARD	
17.	RTBF800138	CHOCK	
18.	201571	CABINET TERMINAL BLOCK PROTECTION	
100.	RIC0005024	OIL COLLECTION TANK KIT	
101.	RIC0005046	COMPLETE RESISTANCE KIT	✓