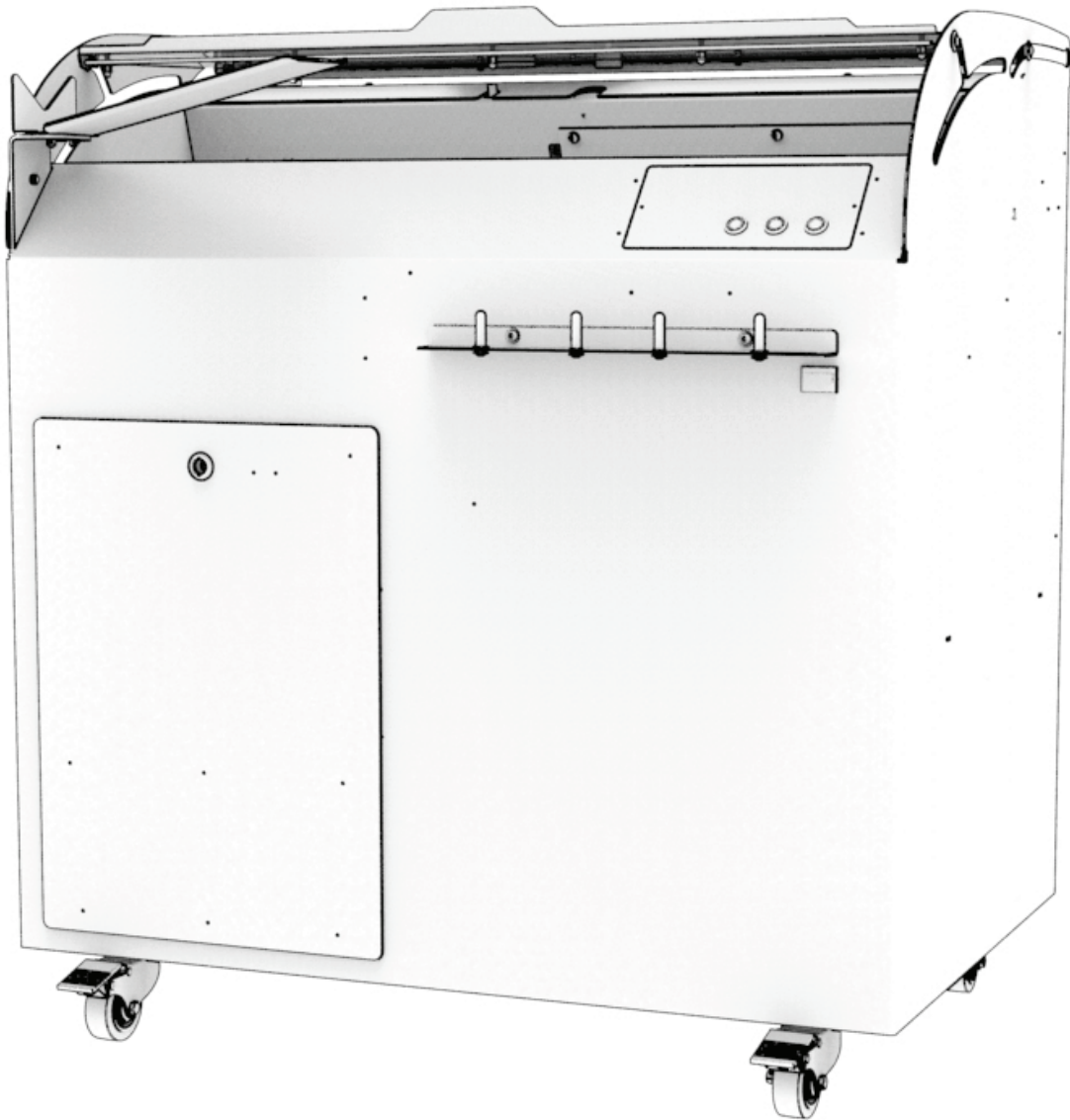




Traditionally Innovative

VARIA *SELF*



EN – FR – DE – NL – RU – ES – IT – AR

VARIA **SELF**

EN- Translation of original user instructions	
Varia Self self-service circular blade slicer	5
FR- Notice d'utilisation originale	
Trancheuse à disque self-service Varia Self	17
DE- Übersetzung der Originalanleitung	
SB-Schneidemaschine Varia Self	29
NL- Vertaling van de originele gebruikershandleiding	
Schijfsnijmachine voor zelfbedieningVaria Self.....	41
RU- Перевод оригинального руководства по эксплуатации	
Дисковая хлеборезка с самообслуживанием Varia Self.....	53
ES- Traducción del manual de uso original	
Cortadora de disco autoservicio Varia Self	65
IT- Traduzione delle informazioni sull'utilizzo originali	
Taglierina a disco self-service Varia Self.....	77
رئسي - ترجمة دليل الاستخدام الأصلي	
طاعة أوتوماتيكية بأسطوانة خدمة ذاتيةVaria Self	89

1	BEFORE COMMISSIONING	6
2	WARRANTY	6
3	WARNINGS	7
4	TECHNICAL SPECIFICATIONS	8
4.1	<i>Technical specifications</i>	8
4.2	<i>Details of materials in direct contact with dough</i>	8
5	INSTALLATION AND COMMISSIONING	8
5.1	<i>Unpacking the machine:</i>	8
5.2	<i>Positioning:</i>	9
5.3	<i>Electrical connection:</i>	9
5.4	<i>Commissioning:</i>	9
5.5	<i>Danger:</i>	10
6	CONTROLS AND SAFETY FEATURES	10
6.1	<i>Controls:</i>	10
6.2	<i>Work area:</i>	10
6.3	<i>Safety features:</i>	10
7	OPERATION	11
8	MAINTENANCE	11
8.1	<i>Daily, by a trained operator</i>	11
8.2	<i>Annually, by an approved agent</i>	11
8.3	<i>Blade replacement</i>	11
9	CONSUMABLES	12
9.1	<i>List of CONSUMABLES</i>	12
10	MALFUNCTIONS	13
11	ERROR CODES	14
12	LIST OF COMPONENTS IN ILLUSTRATIONS	15

1 BEFORE COMMISSIONING

Thank you for choosing a JAC system. It is essential that you read these instructions before installing and commissioning this machine. This will protect you and avoid damaging your machine.

These instructions refer to various illustrations in order to make them easier to understand. These illustrations are at the end of the instructions. Please refer to them whenever you see the following symbols: (fig.X, n°Y).

To ensure that your machine gives you full satisfaction over the coming years, we invite you to familiarise yourself with the following advice:

- Enlist the help of your approved agent for installation, commissioning and service support.
- In order to be covered by the 5-year warranty (see terms and conditions set out below), please have your dealer fill in the service booklet when your machine is being installed. The service booklet is at the back of your machine.

2 WARRANTY



All JAC products are covered by a 5-year warranty.

This warranty is valid for all parts on your machine, including electronic components but excluding consumables. The warranty takes effect on the date the equipment is installed.

Subject to the following restrictive conditions:

- Equipment acquired from an approved dealer;
- Installation carried out by an approved agent;
- Equipment used in accordance with the instructions for use and for the intended purpose for which it was manufactured;
- Equipment serviced on a daily basis in compliance with the instructions for use;
- Regular servicing by the approved agent in compliance with service specifications, with at least one service a year (servicing chargeable to the user).
- Exclusive use of genuine JAC parts.



If there is no record of servicing by an approved agent and/or if the service booklet has not been filled in correctly, warranty cover will be limited to one year.

This warranty does not cover:

- Replacement of consumables (§9);
- Parts not accepted as defective by our company;
- Problems due to improper use of the equipment;
- Problems due to installation not carried out by an approved agent;
- Parts or problems due to transit damage or improper handling.

Repairing and/or replacing defective parts during the warranty period does not bring about an extension of said warranty.

3 WARNINGS

It is most important that these user instructions be kept with the machine for any future reference. Should this machine be sold or transferred to another user, please ensure that the user instructions are handed over so that the new user can be familiarised with its operation and the warnings associated with it.



These warnings are given for your safety and that of others. We would therefore ask you to read them carefully before installing and using the machine.

This machine has been designed for use by authorised adults. Please therefore ensure that children do not touch it or use it as a toy.

This machine is intended for self-service use.

It is dangerous to modify or attempt to modify the specifications of this machine.

After having installed this machine, please ensure that it is not standing on the power cable.

Follow the instructions given for its use.

This machine must be stored and used in an indoor room, protected from moisture and heat.

This machine must be adequately illuminated to operate it.

The noise level of this machine does not exceed 75 dB(A) in accordance with EN ISO 3744.

This machine must be used by one person at a time (unless otherwise specified).

This machine is intended for slicing baked bread which has cooled down.



This machine is not intended for the following breads and the following materials:

- Warm bread, stale bread.
- Frozen or partially thawed bread.
- Wholemeal breads with a hard crust and other types of bread with a hard crust.
- Rye breads.
- Non-edible products such as wood, plastic and similar materials.
- Any food that is not included in the bread and loaf cake category.

The machine may be damaged when cutting bread or materials for which the machine is not intended.



Always disconnect the mains supply before cleaning the machine inside/outside and when carrying out maintenance.

This machine is heavy. Take all necessary safety precautions when handling it.

4 TECHNICAL SPECIFICATIONS

4.1 Technical specifications

	VSL7	VSL9
Height (mm)	1091	1091
Width (mm)	795	985
Depth (mm)	826	826
Entry channel length (mm)	360	430
Entry channel width (mm)	28.5	28.5
Entry channel height (mm)	16 (20)	16 (20)
Packaging (mm)	1250 x 1200 x 800	1250 x 1200 x 800
Net weight (kg)	220	230
Net weight + packing (kg)	250	260
Motor power rating (kW)	1.1	1.1
Motor type	Three-phase	Three-phase
220 V - 50 Hz (A)	5	5
380 V - 50 Hz (A)	3.2	3.2
Capacity (revolutions/minute)	120	120
Blade diameter (mm)	420	420
Noise level (dB)	<75	<75

Stainless steel exterior	optional
Bag holder	optional
Users' explanatory notice	optional
Special colour	optional

4.2 Details of materials in direct contact with dough.

Infeed table: STAINLESS STEEL 430

Claw housing: STAINLESS STEEL 430

Claw: STAINLESS STEEL 430

Blade: TEFLON

Outfeed table: STAINLESS STEEL 5WL 430

Bread-holding arm: STAINLESS STEEL 430

Bagger: STAINLESS STEEL 430

5 INSTALLATION AND COMMISSIONING

5.1 Unpacking the machine:

Machines are delivered from our works on pallets, strapped and protected with cardboard. First of all, the packaging must be examined and any damage caused in transit must be declared directly to the carrier.

- A. Remove the cardboard and the packaging bag from the machine.
- B. Remove straps, taking particular care when they are released by cutting.



- C. Detach the machine from its pallet by removing the wooden battens wedging the castors.
- D. Take the machine off the pallet. Make sure you do this with at least two people in order to lower it as gently as possible onto the floor.

After unpacking your machine, check that it has not been damaged in transit. Notify us of any defects.

5.2 Positioning:

In order to achieve excellent performance and long-term reliability, choose a location that is:

Well ventilated, shielded from direct sunlight and away from sources of heat, with a flat and sturdy surface free from vibration.

5.3 Electrical connection:

IMPORTANT: This machine must be earthed.

It is recommended that the system be protected with a fuse and an RCD.

Your mains electricity supply to the machine must be protected as indicated below:

- North America: 15 A protection;
- Rest of the world: 16 A protection.

For machines equipped with a variable speed drive, it is imperative that they be connected to a junction box on a circuit fitted with a 300 mA RCD.

Note: Any problem resulting from any other type of connection will not be covered under warranty.

Before connecting your machine to the mains supply and in order to prevent the motor from burning out when it is switched on, it is important to check that the mains supply matches the machine specification (see machine nameplate).

This machine complies with Machinery Directives 2006/42, 2006/95, 2004/108 and is CE marked as proof of this.

Please familiarise yourself with the safety pictograms displayed on the machine:



This pictogram indicates an electrocution hazard. Please isolate the machine before carrying out any work on it. You will find it at the back of the machine close to the power cable and inside the machine on the electrical enclosure (fig.8, n°28).

You will find the circuit diagram for the machine on the back of the electrical enclosure door (fig.8, n°29).

5.4 Commissioning:

Before commissioning, ensure that there are no extraneous objects interfering with the machine's moving parts.

Ensure first of all (after verifying electric compatibility) that the motor is rotating in the right direction. If the blade stops in the cutting channel and the machine goes into error mode, disconnect immediately and switch two phase wires in the plug.
For machine operation, please refer to the "Operation" chapter.

5.5 **Danger:**

If the user or the machine is in danger, you must use the main isolator switch to cut the power supply to the machine.

Remove the plug from the power socket before any maintenance and/or servicing work;
Do not touch the blade, even if it is stationary.

To replace the blade, have the work done by your approved dealer.

Always wear cut-resistant gloves (EN 388:2003 version B= 5) when replacing the blade or when working in the vicinity of the blade.

Any maintenance work or replacement of parts must be carried out by a qualified individual.

6 **CONTROLS AND SAFETY FEATURES**

6.1 **Controls:**

Your slicer is equipped as standard with a mechanical keyboard (fig.1, n°4).

6.2 **Work area:**

The work area is at the front of the machine (fig.3, n°20).

6.3 **Safety features:**

This machine is equipped with:

An encoded magnetic safety switch (fig.6, n°21,22).

A safety cut-out magnet.

A magnetic sensor

Which stops the machine when the front door (fig.1, n°10) is opened using the lock (fig.1, n°9).

An encoded magnetic safety switch (fig.6, n°24).

A safety cut-out magnet.

A magnetic sensor

Which prevents the machine from starting when the cover is opened (fig.1, n°1).

A mechanical safety lock (fig.6, n°23)

Which prevents the cover (fig.1, n°1) from being opened while the machine is in operation.

7 OPERATION

Braked castors must be locked while the machine is in operation (fig.1, n°7).

Switch on the power to the machine at the start of the day using the main isolator switch (fig.2, n°12).

Operating procedure (fig.4,5)

- A. Open the cover (fig.4, n°1).
- B. Place the loaf on the infeed table.
- C. Take care to position the loaf correctly in the right-hand corner towards the front of the machine.
- D. Close the cover.
- E. Select the desired thickness from the 3 slice thicknesses available, by pressing the relevant button (thin, medium or thick). Loaf slicing will start.
- F. When the green button flashes, open the cover to extract the sliced loaf (fig.6, n°8) from the outfeed table (fig.3, n°15) and bag it on the bagger (fig.1, n°3).

8 MAINTENANCE

8.1 Daily, by a trained operator.

- A. Check whether you need to empty the crumb tray (fig.1, n°8) (NB: don't forget to lock the door with the key).
- B.
- C. Clean the tables (fig.3, n°15, 17) using a brush.
- D. Clean the optical sensor (fig.3, n°30).
- E. Clean the cover window (fig.1, n°1) by placing it in the cleaning position (fig.11).
- F. Use a dry cloth to clean the inside.
- G. Use a damp cloth to clean the outside.
- H. Activate cleaning mode:
With a mechanical keyboard, press the red and green buttons at the same time.
With a touch screen, press the "brush" symbol in the top right-hand corner.

8.2 Annually, by an approved agent.

- A. Remove the plug from the socket (fig.2, n°13).
- B. Check the condition of the cutting blade (fig.1, n°2).
- C. If you notice a deterioration in cutting quality, the cutting blade must be replaced (JAC part number: BVSLA030 in the JAC Spare Parts catalogue).
- D. If the blade needs to be replaced, do so in accordance with the blade replacement procedure (fig.9).
- E. Clean with a brush and vacuum the inside of the machine.

Check that your approved agent has recorded his work in your service booklet in order to maintain your 5-year warranty cover.

8.3 Blade replacement.

(fig.7)

Always wear cut-resistant gloves (EN 388:2003 version B= 5) and safety footwear when replacing the blade or when working in the vicinity of the blade.

Having ensured that the plug on your machine (fig.2, n°13) has been disconnected from the mains:

Open the door (fig.1, n°10) using the lock (fig.1, n°9).
Remove the crumb tray (fig.1, n°8).

Replace the blade (fig.7):

- A. Unscrew the two spanners located on the left-hand side of the machine (fig.7 n°25)
- B. Remove the blade guard (fig.1, n°6) by means of the Allen screws.
- C. Unscrew the nut that secures the blade (fig.7, n°26) using the two spanners (fig.7, n°25).
- D. Remove the spacer and replace the blade, taking care to position it correctly on the locator pins. Replace the spacer.
- E. Fit and tighten the new nut supplied with your new blade to lock the blade, using the spanners supplied. It is important that the new nut be fitted in order to provide optimum tightening.

Refit the crumb tray and close the door.

Connect your machine to the mains supply; it is now ready.

Check that your approved agent has recorded his work in your service booklet in order to maintain your 5-year warranty cover.

Please note that your blade can be sharpened; contact your approved agent for further information.

9 CONSUMABLES

When ordering spare parts, check with your approved agent which part is required based on the spare parts catalogue issued by the manufacturer.

Always quote the machine serial number shown on the nameplate.

Your agent will place the orders with JAC.

9.1 List of CONSUMABLES

ITEM CODE	DESCRIPTION	MODEL
BVSLT017	COVER ROLLER	ALL
7240038	MOTOR BELT	ALL
BVSLA030	CIRCULAR BLADE, Ø 420 MM	ALL
7240042	LINEAR GUIDE BELT	ALL

10 MALFUNCTIONS

Problem	Check
The machine will not start	Connect the machine using the cable (fig.2, n°13).
	Switch on the main switch (fig.2, n°12).
	Close the cover (fig.1, n°1).
	Lock the door (fig.1, n°10).
The machine starts, but loaves are damaged	Replace the blade (fig.7).
	Leave the bread to cool down for a few hours.
	Feed in a loaf of the specified size.
	Feed in a loaf that is sufficiently firm.
	If the blade appears to rotating in the wrong direction, switch two phases in the machine plug.

WARNING: The machine must be isolated from the power supply before attempting any work on it.



Should the problem persist, please contact your technician.

11 ERROR CODES

Flashes or code displayed on screen	Problem description	Action
ERR 001	Claw not detected (S3)	Please restart the machine using the main switch (fig.2, n°12). Should the problem persist, please contact your technician.
ERR 002	Rotor not detected (S4)	
ERR 003	Carriage not detected (S8)	
ERR 004	Loaf not detected (SW1)	
ERR 005	Safety cut-out opened during cycle	
ERR 006	Carriage advance timeout	
ERR 007	Carriage return timeout	
ERR 008	Bug/no communication	
ERR 009	Clamp motor current	
ERR 010	Blade motor thermal cut-out (F3)	
ERR 011	Brake fault	



Should the problem persist, please contact your technician.

12 LIST OF COMPONENTS IN ILLUSTRATIONS

Figure	Item	Description
1	1	Top cover
	2	Blade
	3	Bagger
	4	Selection buttons
	5	Bag holder (optional)
	6	Blade guard
	7	Safety castors
	8	Crumb tray
	9	Front door lock
	10	Front door
2	11	Cover rollers
	12	Main switch
	13	Connecting cable
	14	Manoeuvring handles
3	15	Outfeed table
	16	Bread-holding arm
	17	Infeed table
	18	Claw housing
	19	Claw
	20	Work area
6	30	Optical sensor
	21	Safety cut-out sensor
	22	Safety cut-out magnet
	23	Mechanical lock
7	24	Safety cut-out sensor
	25	Blade removal spanners
8	26	Blade nut
	28	"Electrocution hazard" sticker
	29	Circuit diagram

1	AVANT LA MISE EN SERVICE	18
2	GARANTIE	18
3	AVERTISSEMENTS	19
4	CARACTERISTIQUES TECHNIQUES	20
4.1	<i>Caractéristiques techniques</i>	20
4.2	<i>Détail des matériaux en contact direct avec la pâte</i>	20
5	INSTALLATION ET MISE EN SERVICE	20
5.1	<i>Déconditionnement de la machine</i>	20
5.2	<i>Emplacement</i>	21
5.3	<i>Raccordement électrique</i>	21
5.4	<i>Mise en service</i>	22
5.5	<i>Danger</i>	22
6	ORGANE DE COMMANDE ET DE SECURITE	22
6.1	<i>Organe de commande</i>	22
6.2	<i>Zone de travail</i>	22
6.3	<i>Organes de sécurité</i>	22
7	UTILISATION	23
8	ENTRETIEN	23
8.1	<i>Journalier par un utilisateur formé</i>	23
8.2	<i>Annuel par un agent agréé</i>	23
8.3	<i>Changement des lames</i>	24
9	CONSOMMABLES	24
9.1	<i>Liste des CONSOMMABLES</i>	24
10	INCIDENTS DE FONCTIONNEMENT	25
11	CODES D'ERREUR	26
12	LISTE DES COMPOSANTS SUR LES FIGURES	27

1 AVANT LA MISE EN SERVICE

Merci d'avoir choisi une solution JAC. Veuillez impérativement lire ce mode d'emploi avant d'installer et de mettre en service cette machine. Vous pourrez ainsi vous protéger et éviter de détériorer votre machine.

Cette notice fait référence à différentes figures afin de faciliter la compréhension des instructions. Ces figures se trouvent en fin de notice. Veuillez vous y référer dès que vous rencontrez les symboles suivants (fig.x, n°y).

Pour que votre machine vous donne entière satisfaction au cours des prochaines années, nous vous invitons à prendre connaissance des conseils suivants :

- Faites-vous aider par votre agent agréé pour l'installation, la mise en service et le suivi.
- Afin de pouvoir bénéficier de la garantie de 5 ans (voir conditions reprises ci-après), faites compléter le carnet d'entretien par votre distributeur lors de l'installation de votre machine. Ce carnet d'entretien se trouve à l'arrière de votre machine.

2 GARANTIE



JAC offre une garantie de 5 ans sur tous ses produits.

Cette garantie est valable sur toutes les pièces de votre machine, pièces électroniques incluses, hors consommables. La garantie prend effet à la date d'installation du matériel.

Sous les conditions restrictives suivantes :

- matériel acquis auprès d'un revendeur agréé ;
- installation effectuée par un agent agréé ;
- utilisation du matériel conformément aux indications du mode d'emploi et dans le but pour lequel il a été fabriqué ;
- matériel quotidiennement entretenu conformément aux indications du mode d'emploi ;
- entretiens suivis par l'agent agréé conformément aux spécifications d'entretien avec, au minimum, un entretien par an (entretien à charge de l'utilisateur) ;
- utilisation exclusive des pièces d'origine JAC.



S'il n'y a pas de suivi d'entretien par un agent agréé et/ou que le carnet d'entretien n'est pas correctement complété, la garantie se limite à un an.

Cette garantie ne couvre pas :

- le remplacement des consommables (§9) ;
- les pièces non reconnues défectueuses par nos services ;
- les problèmes résultant d'une utilisation anormale du matériel ;
- les problèmes résultant d'une installation non effectuée par un agent agréé ;
- les pièces ou les problèmes résultant d'un dégât de transport ou d'une manutention inappropriée.

Une réparation et/ou un remplacement de pièces défectueuses effectué(es) durant la période de garantie n'a (n'ont) pas pour effet de prolonger ladite garantie.

3 AVERTISSEMENTS

Il est très important que cette notice d'utilisation soit conservée avec l'appareil pour toute future consultation. Si cet appareil devait être vendu ou transféré à une autre personne, assurez-vous que la notice d'utilisation soit remise de façon à ce que l'utilisateur puisse être informé de son fonctionnement et des avertissements s'y rapportant.



Ces avertissements sont donnés pour votre sécurité et pour celle d'autrui. Nous vous prions donc de bien vouloir les lire attentivement avant d'installer et d'utiliser l'appareil.

Cette machine a été conçue pour être utilisée par des adultes autorisés. Veuillez donc à ce que les enfants n'y touchent pas ou qu'ils ne l'utilisent pas comme un jouet.

Cette machine est prévue pour un usage Self-Service.

Il est dangereux de modifier ou d'essayer de modifier les caractéristiques de cette machine.

Après l'installation de cette machine, assurez-vous qu'elle ne repose pas sur le câble d'alimentation.

Suivez les instructions données pour l'utilisation.

Cette machine doit être stockée et utilisée à l'intérieur, dans un local à l'abri de l'humidité et de la chaleur.

Cette machine doit être suffisamment éclairée pour effectuer le travail.

Cette machine a un niveau sonore inférieur à 75 dB(A), suivant la norme EN ISO 3744.

Cette machine doit être utilisée par une seule personne à la fois (sauf prescription contraire).

Cette machine est destinée au tranchage de pains cuits et tempérés.



Cette machine n'est pas destinée aux pains et matériaux suivants :

- pains chauds, pains rassis ;
- pains congelés, ou partiellement décongelés ;
- pains complets avec une croûte dure et d'autres types de pain avec une croûte dure ;
- pains de seigle ;
- produits non comestibles comme le bois, le plastique et matériaux similaires ;
- tout aliment qui ne fait pas partie de la catégorie des pains ou des cakes.

La machine peut être endommagée lors de la coupe de pains ou matériaux non autorisés.



Toujours débrancher la prise de courant avant de procéder au nettoyage intérieur/extérieur de l'appareil et aux opérations de maintenance.

Cet appareil est lourd. Prenez toutes les précautions de sécurité lors de sa manutention.

4 CARACTERISTIQUES TECHNIQUES

4.1 Caractéristiques techniques

	VSL7	VSL9
Hauteur (mm)	1091	1091
Largeur (mm)	795	985
Profondeur (mm)	826	826
Longueur du canal d'entrée (mm)	360	430
Largeur du canal d'entrée (mm)	28,5	28,5
Hauteur du canal d'entrée (mm)	16 (20)	16 (20)
Colisage (mm)	1250 x1200 x 800	1250 x1200 x 800
Poids net (kg)	220	230
Poids NET + emballage (kg)	250	260
Puissance moteur (kW)	1,1	1,1
Type moteur	Triphasé	Triphasé
220v - 50Hz (A)	5	5
380v - 50Hz (A)	3,2	3,2
Capacité (tours/minute)	120	120
Diamètre de lame (mm)	420	420
Niveau sonore (dB)	<75	<75

Carrosserie inox	option
Porte-sachets	option
Affiche explicative	option
Couleur spéciale	option

4.2 Détail des matériaux en contact direct avec la pâte

Table d'entrée : INOX 430

Carter de griffe : INOX 430

Griffe : INOX 430

Lame : TEFLON

Table de sortie : INOX 5WL 430

Bras de retenue pain : INOX 430

Ensachoir : INOX 430

5 INSTALLATION ET MISE EN SERVICE

5.1 Déconditionnement de la machine

Les machines sont livrées, sorties de nos ateliers, sur palettes, sanglées et protégées par du carton. Avant toute chose, l'emballage doit être observé et tout dommage dû au transport doit être déclaré directement au livreur.

A. Retirer le carton ainsi que le sachet d'emballage de la machine.



- B. Enlever les sangles en faisant particulièrement attention à la détente de ces dernières lors de leur sectionnement.
- C. Désolidariser la machine de sa palette en enlevant les lattes de bois qui bloquent les roulettes.
- D. Descendre la machine de la palette. Veiller à faire cette manipulation à au moins deux personnes afin d'amortir au mieux le contact avec le sol.

Après déballage de la machine, vérifier qu'elle n'a pas subi de dommages pendant le transport. Nous signaler toute anomalie.

5.2 Emplacement

Pour obtenir d'excellentes performances et une fiabilité à long terme, choisir un emplacement :

Bien ventilé, à l'abri du rayonnement solaire direct et éloigné des sources de chaleur, avec une surface plane et robuste exempte de vibrations.

5.3 Raccordement électrique

IMPORTANT : Mise à la terre obligatoire.

Il est conseillé de protéger l'installation avec un fusible et un disjoncteur différentiel.

Votre installation électrique alimentant la machine doit être protégée comme indiqué ci-dessous :

- Amérique du Nord : Protection 15A ;
- Reste du monde : Protection 16A.

Pour les machines équipées d'un variateur, celles-ci doivent être impérativement raccordées à une boîte de dérivation sur une ligne équipée d'un différentiel de 300mA.

Note : Tout problème résultant d'un autre type de raccordement ne sera pas pris en compte par la garantie.

Avant de connecter la machine au réseau et afin d'éviter une mise hors service du moteur à la mise sous tension, il est important de vérifier la concordance du réseau d'alimentation avec les caractéristiques de la machine (voir plaque signalétique de celle-ci).

Cet appareil est conforme aux Directives Machines 2006/42, 2006/95, 2004/108 et porte le marquage CE attestant cette conformité.

Veuillez prendre connaissance des pictogrammes de sécurité figurant sur la machine :



Pictogramme signalant un risque d'électrocution. Veuillez débrancher la machine avant toute intervention sur celle-ci. Vous retrouverez ce pictogramme à l'arrière de la machine à proximité du câble d'alimentation et à l'intérieur de la machine sur le coffret électrique (fig.8, n°28).

Vous trouverez le schéma électrique de la machine sur le verso de la porte du coffret électrique (fig.8, n°29).

5.4 Mise en service

Avant la mise en service, s'assurer de l'absence de tout objet parasite sur les parties en mouvement de la machine.

S'assurer tout d'abord (après vérification des concordances électriques) que le moteur tourne dans le bon sens. Si la lame s'arrête dans le canal de coupe et que la machine se met en erreur, débrancher immédiatement et inverser, dans la prise, deux fils de phase.

Pour l'utilisation de la machine, se reporter au chapitre « Utilisation ».

5.5 Danger

En cas de danger pour l'utilisateur ou pour la machine, utiliser l'interrupteur général pour couper l'alimentation de la machine.

Retirer la fiche de la prise électrique avant toute opération de maintenance et d'entretien.
Ne pas toucher la lame, même à l'arrêt.

Pour le changement de lame, faire faire l'opération par votre distributeur agréé.

Veiller à toujours porter des gants de protection anti-coupure (Norme EN 388 : 2003 indice B= 5) lors du remplacement de la lame ou lors d'une opération au voisinage des lames.

Toute opération de maintenance ou de remplacement de pièce doit être effectuée par une personne qualifiée.

6 ORGANE DE COMMANDE ET DE SECURITE

6.1 Organe de commande

Votre trancheuse est équipée de série d'un clavier mécanique (fig.1, n°4).

6.2 Zone de travail

La zone de travail se situe devant la machine (fig.3, n°20).

6.3 Organes de sécurité

Cette machine est équipée :

D'un interrupteur de sécurité magnétique codé (fig.6, n°21, 22)

D'une sécurité Aimant

Capteur magnétique

Qui arrête la machine lorsqu'on ouvre la porte avant (fig.1, n°10) à l'aide du verrou (fig.1, n°9).

D'un interrupteur de sécurité magnétique codé (fig.6, n°24)

D'une sécurité Aimant

Capteur magnétique

Qui empêche la machine de démarrer lorsqu'on ouvre le capot (fig.1, n°1).



D'un verrou de sécurité mécanique (fig.6, n°23)

Qui empêche le capot (fig.1, n°1) de s'ouvrir lorsque la machine est en fonctionnement.

7 UTILISATION

Les roulettes pourvues d'un frein doivent être bloquées pour l'utilisation (fig.1, n°7).

En début de journée, mettre la machine sous tension à l'aide de l'interrupteur général (fig.2, n°12).

Procédure d'utilisation (fig.4, 5)

- A. Ouvrir le capot (fig.4, n°1).
- B. Déposer le pain sur la table d'entrée.
- C. Prendre garde à bien placer le pain dans le coin droit vers l'avant de la machine.
- D. Fermer le capot.
- E. Sélectionner l'épaisseur voulue parmi les 3 épaisseurs de tranches disponibles, en appuyant sur le bouton correspondant (fine, moyenne ou épaisse). Le tranchage du pain commence.
- F. Lorsque le bouton vert clignote, ouvrir le capot pour extraire de la table de sortie (fig.3, n°15) le pain coupé (fig.6, n°8) et l'ensacher sur l'ensacheur (fig.1, n°3).

8 ENTRETIEN

8.1 Journalier par un utilisateur formé

- A. Vérifier s'il ne faut pas vider le bac à mies (fig.1, n°8) (NB : ne pas oublier de verrouiller la porte à clé).
- B. Nettoyer les tables (fig.3, n°15, 17) à l'aide d'une brosse.
- C. Nettoyer le capteur optique (fig.3, n°30).
- D. Nettoyer la vitre du capot (fig.1, n°1) en le mettant en position nettoyage (fig.11).
- E. Utiliser un chiffon sec pour le nettoyage intérieur.
- F. Pour l'entretien extérieur, utiliser un chiffon humide.
- G. Activer le mode nettoyage :
Clavier mécanique, appuyer sur les deux boutons rouge et vert en même temps.
Ecran tactile, appuyer sur le symbole « brosse » dans le coin supérieur droit.

8.2 Annuel par un agent agréé

- A. Retirer la fiche de la prise (fig.2, n°13).
- B. Vérifier l'état de la lame de coupe (fig.1, n°2).
- C. Si une dépréciation de la qualité de la coupe est notée, il faut procéder au remplacement de la lame de coupe (référence JAC : BVSLA030 du catalogue de Pièces de Rechange JAC).
- D. Si elle est à changer, remplacer la lame conformément à la procédure de changement de la lame de coupe (fig.7).
- E. Nettoyer à la brosse et aspirer l'intérieur de la machine.

Bien vérifier que votre agent agréé enregistre son intervention dans votre carnet d'entretien afin de conserver votre garantie de 5 ans.

8.3 Changement des lames

(fig.7)

Veiller à toujours porter des gants de protection anti-coupure (Norme EN 388 : 2003 indice B= 5) et des chaussures de sécurité lors du remplacement de la lame ou lors d'une opération au voisinage des lames.

Après s'être assuré que la fiche de la machine (fig.2, n°13) est bien déconnectée du secteur :

Ouvrir la porte (fig.1, n°10) à l'aide du verrou (fig.1, n°9).

Retirer le bac à mies (fig.1, n°8).

Remplacer la lame (fig.7) :

A. Dévisser les deux clés fournies situées sur le côté gauche de la machine (fig.7, n°25).

B. Retirer la protection de lame (fig.1, n°6) à l'aide des vis 6 pans creux.

C. Dévisser l'écrou qui maintient la lame (fig.7, n°26) à l'aide des deux clés (fig.7, n°25).

D. Retirer la cale et remplacer la lame en prenant soin de bien la placer dans les ergots détrompeurs. Remettre la cale.

E. Visser et serrer le nouvel écrou fourni avec la nouvelle lame afin de bloquer la lame, à l'aide des clés fournies. Il est important de mettre le nouvel écrou afin d'assurer un serrage optimal.

Remettre le bac à mies et fermer la porte.

Connecter la machine au réseau électrique, la machine est prête.

Bien vérifier que votre agent agréé enregistre son intervention dans votre carnet d'entretien afin de conserver votre garantie de 5 ans.

Veiller à noter que votre lame est réaffûtable, contacter votre agent agréé pour plus d'informations.

9 CONSOMMABLES

Lors d'une commande d'une pièce de rechange, vérifier avec votre agent agréé de quelle pièce il s'agit sur la base du catalogue de pièces de rechange émis par le fabricant.

Toujours préciser le numéro de machine comme indiqué sur la plaque signalétique.

Votre agent effectue les commandes auprès de JAC.

9.1 Liste des CONSOMMABLES

CODE ARTICLE	LIBELLE	MODELE
BVSLT017	ROULETTE DE CAPOT	TOUTES
7240038	COURROIE MOTEUR	TOUTES
BVSLA030	LAME CIRCULAIRE Ø420MM	TOUTES
7240042	COURROIE GUIDAGE LINEAIRE	TOUTES

10 INCIDENTS DE FONCTIONNEMENT

Problème	Vérification
La machine ne se met pas en route	Brancher la machine à l'aide du câble (fig.2, n°13)
	Enclencher l'interrupteur principal (fig.2, n°12)
	Fermer le capot (fig.1, n°1)
	Verrouiller la porte (fig.1, n°10)
La machine se met en route, mais les pains sont endommagés	Remplacer la lame (fig.7)
	Laisser le pain refroidir quelques heures
	Introduire un pain aux dimensions acceptées
	Introduire un pain assez ferme
	Si la lame semble tourner dans le mauvais sens, veiller à inverser deux phases dans la prise de courant de la machine

ATTENTION : La machine doit obligatoirement être mise hors tension pour toute intervention.



Si le problème persiste, veuillez contacter votre technicien.

11 CODES D'ERREUR

Clignotement ou code affiché sur l'écran	Description du problème	Action
ERR 001	Pas de détection griffe (S3)	Veuillez redémarrer la machine à l'aide de l'interrupteur principal (fig.2, n°12). Si le problème persiste, veuillez contacter votre technicien.
ERR 002	Pas de détection rotor (S4)	
ERR 003	Pas de détection chariot (S8)	
ERR 004	Pas de détection pain (SW1)	
ERR 005	Ouverture sécurité pdt cycle	
ERR 006	Time out aller chariot	
ERR 007	Time out retour chariot	
ERR 008	Bug / pas de communication	
ERR 009	Courant moteur pince	
ERR 010	Thermique moteur lame (F3)	
ERR 011	Défaut frein	



Si le problème persiste, veuillez contacter votre technicien.

12 LISTE DES COMPOSANTS SUR LES FIGURES

Figure	Bulle	Nom
1	1	Capot supérieur
	2	Lame
	3	Ensachoir
	4	Boutons de sélection
	5	Porte-sachets (option)
	6	Protection de lames
	7	Roulettes de sécurité
	8	Bac à mies
	9	Verrou de porte avant
	10	Porte avant
2	11	Roulettes de capot
	12	Interrupteur principal
	13	Câble de raccordement
	14	Poignées de manutention
3	15	Table de sortie
	16	Bras de retenue pain
	17	Table d'entrée
	18	Carter de griffe
	19	Griffe
	20	Zone de travail
6	30	Capteur optique
	21	Capteur de sécurité
	22	Aimant de sécurité
	23	Verrou mécanique
7	24	Capteur de sécurité
	25	Clés pour le démontage de la lame
8	26	Ecrou de lame
	28	Autocollant risque d'électrocution
	29	Schéma électrique

1	VOR DER INBETRIEBNAHME	30
2	GARANTIE	30
3	WARNHINWEISE	31
4	TECHNISCHE DATEN	32
4.1	<i>Technische Daten</i>	32
4.2	<i>Materialien der Teile, die in Kontakt mit dem Schnittgut kommen</i>	32
5	INSTALLATION UND INBETRIEBNAHME	33
5.1	<i>Auspacken der Maschine:</i>	33
5.2	<i>Aufstellung:</i>	33
5.3	<i>Anschluss an die Stromversorgung:</i>	33
5.4	<i>Inbetriebnahme:</i>	34
5.5	<i>Gefahr:</i>	34
6	BEDIENELEMENT UND SICHERHEITSVORRICHTUNG	34
6.1	<i>Bedienelement:</i>	34
6.2	<i>Arbeitsbereich:</i>	35
6.3	<i>Sicherheitseinrichtungen:</i>	35
7	BEDIENUNG	35
8	INSTANDHALTUNG	35
8.1	<i>Taglich durch einen eingewiesenen Bediener:</i>	35
8.2	<i>Jahrlich durch einen zugelassenen Vertreter:</i>	36
8.3	<i>Austausch der Messer</i>	36
9	ERSATZTEILE	37
9.1	<i>ERSATZTEILLISTE</i>	37
10	STÖRUNGEN UND FEHLER	38
11	FEHLERCODES	39
12	LISTE DER ABGEBILDETEN TEILE UND FUNKTIONEN	40

1 VOR DER INBETRIEBNAHME

Vielen Dank, dass Sie sich für ein Gerät von JAC entschieden haben. Bitte lesen Sie diese Bedienungsanleitung vor der Installation und Inbetriebnahme dieser Maschine aufmerksam durch. Dies dient zu Ihrer Sicherheit und zum Schutz der Maschine vor Schäden.

Diese Bedienungsanleitung enthält Verweise auf verschiedene Abbildungen, die das Verständnis der Anleitungen erleichtern. Die Abbildungen befinden sich am Schluss der Bedienungsanleitung. Bitte schlagen Sie die jeweilige Abbildung anhand des angegebenen Verweises (Fig. X, Nr. Y) nach.

Damit Sie sich viele Jahre an dieser Maschine erfreuen können, möchten wir Sie bitten, die folgenden Hinweise zu berücksichtigen:

- Lassen Sie sich bei der Installation, der Inbetriebnahme und der weiteren Nutzung von Ihrem zugelassenen Vertreter unterstützen.

- Um die Garantie von fünf Jahren (siehe nachfolgende Garantiebestimmungen) in Anspruch nehmen zu können, lassen Sie bitte von Ihrem Vertriebshändler bei der Installation Ihrer Maschine das Wartungsheft ausfüllen. Das Wartungsheft befindet sich an der Rückseite Ihrer Maschine.

2 GARANTIE



JAC bietet auf alle seine Produkte eine Garantie von fünf Jahren.

Diese Garantie erstreckt sich auf alle Teile Ihrer Maschine, auch auf die elektronischen Bauteile, außer Verschleißteile. Die Garantiefrist beginnt zum Zeitpunkt der Installation der Anlage.

Es gelten die folgenden Beschränkungen:

- Das Produkt wurde bei einem zugelassenen Vertragshändler erworben.
- Die Installation wurde von einem zugelassenen Vertreter vorgenommen.
- Das Produkt wurde im Rahmen seines bestimmungsgemäßen Gebrauchs und entsprechend der Bedienungsanleitung verwendet.
- Das Produkt wurde täglich entsprechend den Vorgaben der Bedienungsanleitung instandgehalten.
- Die Wartung wird durch einen zugelassenen Vertreter entsprechend den Wartungsvorgaben durchgeführt und findet mindestens einmal jährlich statt (auf Kosten des Anwenders).
- Es werden ausschließlich Originalersatzteile von JAC verwendet.



Sofern keine Wartung durch einen zugelassenen Vertreter erfolgt bzw. das Wartungsheft nicht ordnungsgemäß ausgefüllt ist, ist die Garantie auf ein Jahr begrenzt.

Diese Garantie deckt nicht:

- den Ersatz von Verschleißteilen (siehe Abschnitt 9);
- Teile, die unser Kundendienst nicht als defekt anerkennt;

- Probleme, die sich aus einer ungewöhnlichen Nutzung des Produktes ergeben;
- Probleme, die darauf zurückzuführen sind, dass die Installation nicht durch einen zugelassenen Vertreter durchgeführt wurde;
- Beschädigungen oder Probleme, die auf einen Transportschaden oder auf die unsachgemäße Handhabung des Produktes zurückzuführen sind.

Die Durchführung einer Reparatur und/oder der Ersatz defekter Teile während der Garantiefrist führen nicht zur Verlängerung der Garantiefrist.

3 WARNHINWEISE

Bitte bewahren Sie diese Bedienungsanleitung unbedingt mit Ihrem Gerät zum späteren Nachlesen auf. Bei Verkauf oder Weitergabe Ihres Gerätes übergeben Sie bitte diese Bedienungsanleitung an den neuen Besitzer bzw. Benutzer, damit dieser über die Funktionsweise des Gerätes und die Warnhinweise informiert ist und diese befolgen kann.



Diese Warnhinweise dienen zu Ihrer Sicherheit und der Sicherheit anderer. Bitte lesen Sie die Warnhinweise vor der Installation und Verwendung Ihres Gerätes aufmerksam durch.

Diese Maschine ist für die Verwendung durch befugte erwachsene Personen bestimmt. Stellen Sie sicher, dass die Maschine nicht von Kindern berührt oder als Spielzeug benutzt wird.

Diese Maschine wird im Self-Service eingesetzt.

Eine Modifizierung bzw. versuchte Modifizierung der Eigenschaften und Merkmale dieser Maschine ist gefährlich.

Stellen Sie nach der Installation dieser Maschine sicher, dass diese nicht auf dem Netzkabel steht.

Befolgen Sie stets die Anleitungen zur Bedienung und Verwendung.

Die Maschine ist in einem Innenraum und gegen Feuchtigkeit und Hitze geschützt aufzustellen.

Die Maschine muss zur Durchführung der Arbeiten ausreichend ausgeleuchtet sein.

Der Geräuschpegel der Maschine liegt unter 75 dB(A) und entspricht damit der EN ISO 3744.

Die Maschine darf nicht von mehreren Personen gleichzeitig benutzt werden (es sei denn, die Anleitung gibt etwas Anderes vor).

Die Maschine dient zum Schneiden abgekühlter Brotlaibe.



Diese Maschine darf nicht zum Schneiden der folgenden Brote, Artikel und Materialien verwendet werden:

- Warmes Brot, altbackenes Brot
- Gefrorenes oder halb aufgetautes Brot
- Vollwertbrot mit harter Kruste und andere Brotsorten mit harter Kruste

- Roggenbrot
- Ungenießbare Produkte wie Holz, Kunststoff oder Ähnliches
- Lebensmittel, die nicht zur Gruppe der Backwaren (speziell Brote und Kuchen) gehören.

Die Verwendung der Maschine zum Schneiden nicht zulässiger Brote, Artikel und Materialien kann zur Beschädigung der Maschine führen.



Vor Reinigungsarbeiten innen und außen am Gerät und vor Wartungsarbeiten immer den Netzstecker ziehen.

Dieses Gerät ist sehr schwer. Beim Transport und Bewegen des Gerätes sind angemessene Vorsichtsmaßnahmen zu ergreifen.

4 TECHNISCHE DATEN

4.1 Technische Daten

	VSL7	VSL9
Höhe (mm)	1091	1091
Breite (mm)	795	985
Tiefe (mm)	826	826
Länge der Schneidkammer (mm)	360	430
Breite der Schneidkammer (mm)	28,5	28,5
Höhe der Schneidkammer (mm)	16(20)	16(20)
Verpackungsmaße (mm)	1250 x1200 x 800	1250 x1200 x 800
Nettogewicht (kg)	220	230
Nettogewicht + Verpackung (kg)	250	260
Motorleistung (kW)	1,1	1,1
Motortyp	dreiphasig	dreiphasig
220 V - 50 Hz (A)	5	5
380 V - 50 Hz (A)	3,2	3,2
Kapazität (Umdrehungen/Minute)	120	120
Durchmesser des Kreismessers (mm)	420	420
Geräuschpegel (dB)	<75	<75

Edelstahlgehäuse	Option
Tütenhalter	Option
Bedienhinweis	Option
Sonderfarbe	Option

4.2 Materialien der Teile, die in Kontakt mit dem Schnittgut kommen

Aufgabetisch: EDELSTAHL 430

Gehäuse der Brotkralle: EDELSTAHL 430

Brotkralle: EDELSTAHL 430

Kreismesser: TEFLON

Austragstisch: EDELSTAHL 5WL 430
Haltearm Brot: EDELSTAHL 430
Brotablage: EDELSTAHL 430

5 INSTALLATION UND INBETRIEBNAHME

5.1 Auspacken der Maschine:

Unsere Maschinen werden zur Lieferung ab Werk auf Paletten verpackt, mit Umreifungsbändern gesichert und mit einer Kartonverpackung geschützt. Prüfen Sie die Verpackung bei Erhalt auf Beschädigungen und teilen Sie dem Spediteur etwaige Transportschäden direkt mit.

- A. Entfernen Sie die Kartonverpackung und die Folie von der Maschine.
- B. Entfernen Sie die Umreifungsbänder und bedenken Sie dabei, dass diese beim Durchschneiden aufspringen.
- C. Lösen Sie die Maschine durch Entfernen der Holzleisten, welche die Räder sichern, von der Palette.
- D. Heben Sie die Maschine von der Palette. Dies muss durch mindestens zwei Personen erfolgen, so dass die Maschine möglichst sicher auf dem Boden abgesetzt werden kann.

Die Maschine nach dem Auspacken auf Transportschäden überprüfen. Melden Sie uns bitte alle Fehler und Schäden.

5.2 Aufstellung:

Um eine hohe Leistung, eine lange Lebensdauer und einen zuverlässigen Betrieb sicherzustellen, sollte der Aufstellort wie folgt beschaffen sein:

Gut belüftet, vor direkter Sonneneinstrahlung geschützt, in ausreichender Entfernung zu Wärmequellen, mit ebenem, tragfähigem und schwingungsfreiem Boden.

5.3 Anschluss an die Stromversorgung:

WICHTIG: Die Erdung der Maschine ist vorgeschrieben.

Wir empfehlen den Schutz der Anlage durch eine Sicherung und einen FI-Schutzschalter.

Ihr Stromnetz zur Versorgung der Maschine muss folgendermaßen geschützt werden:

- Nordamerika: Schutz 15 A;
- Rest der Welt: Schutz 16 A.

Maschinen mit Stromrichter müssen zwingend über einen FI-Schutzschalter für 300 mA angeschlossen werden.

Hinweis: Probleme und Störungen, die sich durch abweichende Ausführung des Anschlusses ergeben, sind nicht durch die Garantie gedeckt.

Prüfen Sie vor dem Anschließen der Maschine an das Stromnetz unbedingt, ob die Stromversorgung für die Maschine geeignet ist (siehe Angaben auf dem Typenschild), um einen Motorausfall beim Einschalten zu vermeiden.

Dieses Gerät entspricht den Maschinenrichtlinien 2006/42, 2006/95, 2004/108 und ist daher mit dem CE-Zeichen gekennzeichnet.

Bitte beachten Sie die an der Maschine angebrachten Warnsymbole:



Warnsymbol zur Anzeige der Gefahr eines tödlichen Stromschlags. Die Maschine vor jedem Eingriff vom Stromnetz nehmen. Das Warnsymbol ist an der Rückseite der Maschine neben dem Netzanschluss sowie im Inneren der Maschine auf dem Schaltkasten angebracht. (Fig. 8, Nr. 28)

Den Schaltplan der Maschine finden Sie auf der Rückseite der Schaltkastentür. (Fig. 8, Nr. 29)

5.4 **Inbetriebnahme:**

Vor der Inbetriebnahme sicherstellen, dass sich keine Fremdkörper auf den beweglichen Teilen der Maschine befinden.

Zunächst (nach Überprüfung der elektrischen Übereinstimmung) sicherstellen, dass der Motor in die richtige Richtung dreht. Falls das Messer in der Schneidkammer anhält und die Maschine einen Fehler ausgibt, diese sofort vom Stromnetz nehmen und im Stecker die beiden Phasen umkehren.

Weitere Informationen zur Verwendung der Maschine erhalten Sie im Abschnitt „Bedienung“.

5.5 **Gefahr:**

Bei einer Gefahr für den Anwender oder die Maschine ist die Maschine über den Hauptschalter auszuschalten.

Vor Wartungs- oder Instandsetzungsmaßnahmen den Netzstecker ziehen.
Die Klinge niemals berühren, und zwar auch dann nicht, wenn die Maschine abgeschaltet ist.

Das Messer muss von einem zugelassenen Vertreter ausgetauscht werden.

Beim Austausch der Messer oder bei Arbeiten in der Umgebung der Messer müssen Schnitenschutzhandschuhe (Norm EN 388: 2003, Index B = 5) getragen werden.

Wartungsmaßnahmen und der Austausch von Ersatzteilen dürfen nur durch eine qualifizierte Person erfolgen.

6 ***BEDIENELEMENT UND SICHERHEITSVORRICHTUNG***

6.1 **Bedienelement:**

Ihre Schneidmaschine ist serienmäßig mit einer mechanischen Tastatur ausgestattet (Fig. 1, Nr. 4).

6.2 Arbeitsbereich:

Der Arbeitsbereich befindet sich an der Vorderseite der Maschine (Fig. 30, Nr. 20).

6.3 Sicherheitseinrichtungen:

Diese Maschine ist mit folgenden Sicherheitseinrichtungen ausgestattet:

einem codierten magnetischen Schutzschalter (Fig. 6, Nr. 21, 22);
einer Magnet-Sicherung,
einem Magnetsensor,
der den Betrieb der Maschine unterbricht, wenn die vordere Tür (Fig. 1, Nr. 10) über den Riegel (Fig. 1, Nr. 9) geöffnet wird;

einem codierten magnetischen Schutzschalter (Fig. 6, Nr. 24);
einer Magnet-Sicherung,
einem Magnetsensor,
der das Einschalten der Maschine verhindert, wenn die Abdeckung (Fig. 1, Nr. 1) geöffnet wird.

einem **mechanischen Sicherheitsschalter** (Fig. 6, Nr. 23),
der verhindert, dass die Abdeckung (Fig. 1, Nr. 1) während des Betriebs der Maschine geöffnet werden kann.

7 **BEDIENUNG**

Vor dem Betrieb die mit Bremsen versehenen Räder feststellen (Fig. 1, Nr. 7).

Die Maschine bei Tagesbeginn über den Hauptschalter einschalten (Fig. 2, Nr. 12)

Bedienung (Fig. 4, 5)

- J. Die Abdeckung (Fig. 4, Nr. 1) öffnen.
- B. Das Brot auf dem Aufgabetisch ablegen.
- C. Darauf achten, das Brot in der rechten Ecke in Richtung der Vorderseite der Maschine zu platzieren.
- D. Die Abdeckung schließen.
- E. Aus den drei verfügbaren Scheibendicken die gewünschte Dicke auswählen. Dazu auf die entsprechende Taste drücken (fein, mittel oder dick). Das Brot wird geschnitten.
- F. Wenn der grüne Schalter blinkt, die Abdeckung öffnen, um das geschnittene Brot (Fig. 6, Nr. 8) vom Ausgabetisch (Fig. 3, Nr. 15) zu entnehmen und es auf der Brotablage (Fig. 1, Nr. 3) zu verpacken.

8 **INSTANDHALTUNG**

8.1 Täglich durch einen eingewiesenen Bediener:

- A. Das Krümelfach überprüfen und bei Bedarf leeren (Fig. 1, Nr. 8). Danach die Tür wieder verriegeln!
- B.
- C. Die Tische (Fig. 3, Nr. 15, 17) mit einer Bürste reinigen.
- D. Den optischen Sensor (Fig. 3, Nr. 30) reinigen.

- E. Das Fenster der Abdeckung (Fig. 1, Nr. 1) reinigen und es dazu auf die Reinigungsposition stellen (Fig. 11).
- F. Den Innenbereich mit einem trockenen Tuch reinigen.
- G. Zur Reinigung außen ein feuchtes Tuch verwenden.
- H. Aktivierung des Reinigungsmodus:
Bei der mechanischen Tastatur gleichzeitig auf die rote und grüne Taste drücken.
Beim Touch-Screen auf das Bürstensymbol in der Ecke rechts oben klicken.

8.2 Jährlich durch einen zugelassenen Vertreter:

- A. Den Stecker aus der Steckdose ziehen (Fig. 2, Nr. 13).
- B. Den Zustand des Messers überprüfen (Fig. 1, Nr. 2).
- C. Soweit die Schneidqualität nachgelassen hat, muss die Klinge ausgetauscht werden (JAC Bestellnummer: BVSLA030 Ersatzteilkatalog JAC)
- D. Die Klinge ist entsprechend dem für den Austausch der Klinge vorgeschriebenen Verfahren auszutauschen (Fig. 9);
- E. Mit der Bürste reinigen und den Innenbereich der Maschine absaugen.

Hier bitte sicherstellen, dass Ihr zugelassener Vertreter diese Maßnahmen im Wartungsheft festhält, um Ihren Garantieanspruch von fünf Jahren zu erhalten.

8.3 Austausch der Messer

(Fig. 7)

Beim Austausch der Messer oder bei Arbeiten in der Umgebung der Messer müssen Schnittschutzhandschuhe (Norm EN 388: 2003, Index B = 5) sowie Sicherheitsschuhe getragen werden.

Sich zunächst vergewissern, dass der Netzstecker der Maschine (Fig. 2, Nr. 13) gezogen ist.

Die Tür (Fig. 1, Nr. 10) über den Riegel (Fig. 1, Nr. 9) öffnen.

Den Krümelbehälter (Fig. 1, Nr. 8) herausziehen.

Die Klinge austauschen (Fig. 7):

- A. Die beiden mitgelieferten Schlüssel auf der linken Maschinenseite (Fig. 7, Nr. 25) entfernen.
- B. Den Messerschutz (Fig. 1, Nr. 6) über die Innensechskantschrauben entfernen.
- C. Die Mutter zum Halten des Messers (Fig. 7, Nr. 26) über die beiden Schlüssel (Fig. 7, Nr. 25) entfernen.
- D. Den Keil entfernen und das Messer austauschen und dabei darauf achten, dass es fest an den Steckplätzen sitzt. Den Keil wieder einsetzen.
- E. Die neue, mit dem neuen Messer mitgelieferte Mutter mittels der mitgelieferten Schlüssel anziehen, um das Messer zu blockieren. Für die optimale Spannung muss die neue Mutter verwendet werden.

Das Krümelfach wieder einsetzen und die Tür schließen.

Die Maschine mit dem Stromnetz verbinden. Die Maschine ist betriebsbereit.

Hier bitte sicherstellen, dass Ihr zugelassener Vertreter diese Maßnahmen im Wartungsheft festhält, um Ihren Garantieanspruch von fünf Jahren zu erhalten.

Beachten Sie bitte, dass das Messer geschliffen werden kann. Für weitere Informationen wenden Sie sich bitte an Ihren Vertragshändler.

9 ERSATZTEILE

Um Ersatzteile für Ihre Maschine zu bestellen, lassen Sie von Ihrem Vertreter anhand des Ersatzteilkatalogs des Herstellers prüfen, um welche Teile es sich genau handelt. Dazu immer die Maschinenummer übermitteln, die auf dem Typenschild steht. Ihr Vertreter bestellt das Ersatzteil dann bei JAC.

9.1 ERSATZTEILLISTE

ARTIKELCODE	BEZEICHNUNG	MODELL
BVSLT017	ROLLE ABDECKUNG	ALLE
7240038	RIEMEN MOTOR	ALLE
BVSLA030	KREISMESSER Ø 420 MM	ALLE
7240042	RIEMEN GERADE FÜHRUNG	ALLE

10 STÖRUNGEN UND FEHLER

Problem	Fehlersuche
Die Maschine lässt sich nicht einschalten	Die Maschine über das Kabel anschließen (Fig. 2, Nr. 13).
	Den Hauptschalter einschalten (Fig. 2, Nr. 12).
	Die Abdeckung (Fig. 1, Nr. 1) schließen.
	Die Tür verriegeln (Fig. 1, Nr. 10).
Die Maschine schaltet ein, aber die Brote werden beschädigt.	Das Messer austauschen (Fig. 7).
	Lassen Sie das Brot einige Stunden lang abkühlen.
	Schneiden Sie nur Brote passender Größe.
	Schneiden Sie nur ausreichend feste Brote.
	Wenn das Messer in die falsche Richtung zu drehen scheint, die Phasen im Stromanschluss der Maschine umkehren.

VORSICHT: Vor allen Eingriffen an der Maschine ist die Maschine zwingend von der Stromversorgung zu trennen.



Bei Anhalten des Problems wenden Sie sich bitte an Ihren Servicetechniker.

11 FEHLERCODES

Blinken oder Fehlercode am Touchscreen	Fehlerbeschreibung	Fehlerbehebung
ERR 001:	Keine Erkennung Brotkralle (S3)	Die Maschine durch Drücken des Hauptschalters (Fig. 2, Nr. 12) wieder einschalten. Bei Anhalten des Problems wenden Sie sich bitte an Ihren Servicetechniker.
ERR 002:	Keine Erkennung Rotor (S4)	
ERR 003:	Keine Erkennung Schlitten (S8)	
ERR 004:	Keine Erkennung Brot (SW1)	
ERR 005:	Öffnung Sicherheit whrd. Zyklus	
ERR 006:	Time-out Schlitten Anfahren	
ERR 007:	Time-out Schlitten Zurückfahren	
ERR 008:	Bug / keine Kommunikation	
ERR 009:	Strom Motor Klammer	
ERR 010:	Thermosicherung Schneidmotors (F3)	
ERR 011	Fehler Bremse	



Bei Anhalten des Problems wenden Sie sich bitte an Ihren Servicetechniker.

12 LISTE DER ABGEBILDETEN TEILE UND FUNKTIONEN

Abbildung	Nummer	Bezeichnung
1	1	Obere Abdeckung
	2	Messer
	3	Brotablage
	4	Auswahlschalter
	5	Beutelhalter (Option)
	6	Messerschutz
	7	Sicherheitsrollen
	8	Krümelfach
	9	Verriegelung der vorderen Maschinentür
	10	Vordere Maschinentür
2	11	Rollen Abdeckung
	12	Hauptschalter
	13	Anschlusskabel
	14	Tragegriffe
3	15	Austragstisch
	16	Haltearm Brot
	17	Aufgabetisch
	18	Gehäuse der Brotkralle
	19	Brotkralle
	20	Arbeitsbereich
6	30	Optischer Sensor
	21	Sicherheitssensor
	22	Sicherungsmagnet
	23	mechanisches Schloss
7	24	Sicherheitssensor
	25	Schlüssel zum Ausbauen des Messers
8	26	Mutter Messer
	28	Aufkleber „Gefahr eines Stromschlags“
	29	Schaltplan

1	VÓÓR DE INBEDRIJFSTELLING	42
2	GARANTIE	42
3	WAARSCHUWINGEN	43
4	TECHNISCHE EIGENSCHAPPEN	44
4.1	<i>Technische eigenschappen</i>	44
4.2	<i>Materiaal dat rechtstreeks in contact komt met het deeg</i>	44
5	INSTALLATIE EN INBEDRIJFSTELLING	45
5.1	<i>De machine uit de verpakking halen:</i>	45
5.2	<i>Plaatsing:</i>	45
5.3	<i>Elektrische aansluiting:</i>	45
5.4	<i>Inbedrijfstelling:</i>	46
5.5	<i>Gevaar:</i>	46
6	BEDIENINGS- EN VEILIGHEIDSPANEEL	46
6.1	<i>Bedieningspaneel:</i>	46
6.2	<i>Werkzone:</i>	46
6.3	<i>Veiligheidsvoorzieningen:</i>	46
7	GEBRUIK	47
8	ONDERHOUD	47
8.1	<i>Dagelijks door een opgeleide gebruiker.</i>	47
8.2	<i>Jaarlijks door een erkende verdeler</i>	48
8.3	<i>Vervanging van de bladen.</i>	48
9	VERBRUIKSGOEDEREN	49
9.1	<i>Lijst met VERBRUIKSGOEDEREN</i>	49
10	STORINGEN	50
11	FOUTCODES	51
12	LIJST MET ONDERDELEN OP DE AFBEELDINGEN	52

1 VÓÓR DE INBEDRIJFSTELLING

Bedankt dat u hebt gekozen voor een JAC-oplossing. Neem deze gebruikershandleiding grondig door voordat u deze machine installeert en in werking stelt. Zo kunt u uzelf beschermen en schade aan uw machine vermijden.

Deze handleiding verwijst naar diverse afbeeldingen zodat u de instructies beter kunt begrijpen. Deze afbeeldingen bevinden zich op het einde van de handleiding. Raadpleeg ze wanneer u de volgende symbolen tegenkomt (fig.X, n°Y).

Om nog jarenlang te genieten van uw machine, raden we u aan om de volgende adviezen na te leven:

- Doe een beroep op uw erkende verdeler voor de installatie, inbedrijfstelling en opvolging.
- Om te kunnen genieten van de garantie van vijf jaar (zie verder voor de voorwaarden), moet u bij de installatie van uw machine het onderhoudsboekje laten invullen door uw verdeler. Dit onderhoudsboekje bevindt zich aan de achterkant van uw machine.

2 GARANTIE



JAC biedt een garantie van vijf jaar op al zijn producten.

Deze garantie is geldig voor alle onderdelen van uw machine, waaronder de elektronische onderdelen, maar uitgezonderd de verbruiksgoederen. De garantie treedt in werking op de installatiedatum van het materiaal.

Onder de volgende beperkende voorwaarden:

- Het materiaal moet bij een erkende verdeler zijn aangekocht.
- De installatie moet door een erkende verdeler zijn uitgevoerd.
- Het materiaal moet worden gebruikt in overeenstemming met de aanwijzingen in de gebruikershandleiding en voor het doel waarvoor het werd geproduceerd.
- Het materiaal moet dagelijks worden onderhouden in overeenstemming met de aanwijzingen in de gebruikershandleiding.
- Ten minste een keer per jaar moet onderhoud worden uitgevoerd door de erkende verdeler en dit in overeenstemming met de onderhoudsspecificaties (onderhoud ten laste van de gebruiker).
- Alleen originele JAC-onderdelen mogen worden gebruikt.



Als er geen onderhoud wordt uitgevoerd door een erkende verdeler en/of het onderhoudsboekje niet correct wordt ingevuld, is de garantie beperkt tot één jaar.

Het volgende valt niet onder deze garantie:

- De vervanging van verbruiksgoederen (§9).
- Defecte stukken die door onze diensten niet worden erkend.
- Problemen ten gevolge van een abnormaal gebruik van het materiaal.
- Problemen doordat de installatie niet door een erkende verdeler is uitgevoerd.
- De onderdelen of problemen die het gevolg zijn van transportschade of een ongepaste behandeling.

Een reparatie en/of een vervanging van defecte onderdelen tijdens de garantieperiode verlengt deze garantie niet.

3 WAARSCHUWINGEN

Het is heel belangrijk dat deze gebruikershandleiding bij het apparaat wordt bewaard zodat ze later kan worden geraadpleegd. Als dit apparaat wordt verkocht of aan een andere persoon wordt overgedragen, zorg er dan voor dat de gebruikershandleiding wordt overhandigd zodat de gebruiker op de hoogte is van de werking ervan en van de daarin vermelde waarschuwingen.



Deze waarschuwingen worden gegeven voor uw veiligheid en die van anderen. We vragen u dan ook ze aandachtig te lezen voordat u het apparaat installeert en gebruikt.

Deze machine werd ontworpen om door bevoegde volwassenen te worden gebruikt. Zorg er dus voor dat kinderen de machine niet aanraken en niet als speelgoed beschouwen.

Deze machine is voorbehouden voor zelfbediening.

Het is gevaarlijk om de eigenschappen van deze machine te wijzigen of te proberen wijzigen.

Zorg er na de installatie van deze machine voor dat ze niet op het netsnoer staat.

Volg de meegeleverde gebruiksinstructies.

Deze machine moet worden bewaard en gebruikt in een ruimte die niet vochtig of warm wordt.

Deze machine moet voldoende verlicht zijn om het werk uit te voeren.

Deze machine heeft een geluidsniveau van minder dan 75 dB(A) conform norm EN ISO 3744.

Deze machine mag slechts door één persoon tegelijkertijd worden gebruikt (behoudens tegenstelde instructie).

Deze machine is bedoeld voor het snijden van gebakken en lauw brood.



Deze machine is niet bedoeld voor het volgende brood en materiaal:

- Warm brood, oud brood
- Bevroren of half ontdooid brood
- Volkorenbrood met harde korst en andere soorten brood met een harde korst
- Roggebrood
- Niet-eetbare producten zoals hout, plastic en soortgelijk materiaal
- Elk voedingsmiddel dat niet behoort tot de categorie brood of cake

De machine kan beschadigd raken als niet toegestaan brood of materiaal wordt gesneden.



Haal altijd de stekker uit het stopcontact vooraleer u de buiten- of binnenkant van het apparaat schoonmaakt of onderhoud uitvoert.

Dit apparaat is zwaar. Neem alle veiligheidsmaatregelen tijdens het onderhoud.

4 TECHNISCHE EIGENSCHAPPEN

4.1 Technische eigenschappen

	VSL7	VSL9
Hoogte (mm)	1091	1091
Breedte (mm)	795	985
Diepte (mm)	826	826
Lengte van het toevoerkanaal (mm)	360	430
Breedte van het toevoerkanaal (mm)	28,5	28,5
Hoogte van het toevoerkanaal (mm)	16 (20)	16 (20)
Verpakking (mm)	1250 x1200 x 800	1250 x1200 x 800
Nettogewicht (kg)	220	230
Nettogewicht + verpakking (kg)	250	260
Motorvermogen (kW)	1,1	1,1
Motortype	Driefasig	Driefasig
220 V - 50 Hz (A)	5	5
380 V - 50 Hz (A)	3,2	3,2
Capaciteit (toeren/ minuut)	120	120
Bladdiameter (mm)	420	420
Geluidsniveau (dB)	<75	<75

Afwerking uit roestvrij staal	optie
Zakkenhouder	optie
Affiche met gebruiksaanwijzingen	optie
Speciale kleur	optie

4.2 Materiaal dat rechtstreeks in contact komt met het deeg .

Toevoerband: INOX 430

Omhuiling van de greep: INOX 430

Greep: INOX 430

Blad: TEFLON

Afvoerband: INOX 5WL 430

Steunarm voor brood: INOX 430

Broodplank: INOX 430

5 INSTALLATIE EN INBEDRIJFSTELLING

5.1 De machine uit de verpakking halen:

De machines worden uit onze ateliers op pallets, verankerd en met karton beschermd geleverd. U moet eerst en vooral de verpakking bekijken en elke transportschade rechtstreeks aan de koerier melden.

- A. Verwijder het karton en de verpakkingzak van de machine.
- B. Verwijder de riemen en let daarbij met name op de terugslag wanneer ze worden doorgesneden.
- C. Maak de machine los van de pallet door de houten latten te verwijderen die de wieltjes blokkeren.
- D. Haal de machine van de pallet. Doe dit met minstens twee personen zodat de machine niet met een harde schok op de grond terechtkomt.

Na het uitpakken van uw machine moet u nakijken of ze tijdens het transport geen schade heeft opgelopen. Meld ons elke afwijking.

5.2 Plaatsing:

Voor uitstekende prestaties en betrouwbaarheid op lange termijn moet u een plaats kiezen die:

Goed verlucht is, niet blootgesteld is aan direct zonlicht en uit de buurt is van warmtebronnen, met een vlak, stevig en trillingsvrij oppervlak.

5.3 Elektrische aansluiting:

BELANGRIJK: Verplichte aarding.

Er wordt aangeraden om de installatie te beveiligen met een zekering en differentieelschakelaar.

Uw elektriciteitsinstallatie die stroom levert aan de machine moet als volgt worden beveiligd:

- Noord-Amerika: Beveiliging 15 A

- Rest van de wereld: Beveiliging 16 A

Machines die uitgerust zijn met een regelaar moeten worden aangesloten op een aftakdoos op een lijn die uitgerust is met een differentieelschakelaar van 300 mA.

Opmerking: Elk probleem dat te wijten is aan een andere soort aansluiting wordt niet gedekt door de garantie.

Voordat u uw machine op het net aansluit en om een storing van de motor bij het onder spanning zetten te vermijden, is het belangrijk dat u controleert of het elektriciteitsnet overeenstemt met de eigenschappen van de machine (zie het identificatieplaatje).

Dit apparaat is conform de machinerichtlijnen 2006/42, 2006/95, 2004/108 en draagt de CE-markering die hiervan getuigt.

Houd rekening met de veiligheidspictogrammen op de machine:



Pictogram dat wijst op gevaar voor elektrocutie. Trek de machine vóór elke interventie uit het stopcontact. Dat is terug te vinden aan de achterkant van de machine in de buurt van het netsnoer en binnenin de machine op de schakelkast (fig.8, n°28).

U vindt het elektrische schema van de machine op de achterkant van de deur van de schakelkast (fig. 8, n°29).

5.4 Inbedrijfstelling:

Zorg er vóór de inbedrijfstelling voor dat er zich geen enkel storend voorwerp bevindt op de bewegende onderdelen van de machine.

Wees er eerst zeker van (na controle van de elektrische overeenstemming) dat de motor in de juiste richting draait. Als het blad in het snijkanaal stopt en er zich in de machine een fout voordoet, trek de machine dan onmiddellijk uit en keer in de stekker de twee fasesdraden om. Raadpleeg het hoofdstuk "Gebruik" voor informatie over het gebruik van de machine.

5.5 Gevaar:

Als er gevaar is voor de gebruiker of voor de machine, moet u de hoofdschakelaar gebruiken om de stroomtoevoer naar de machine te onderbreken.

Haal de stekker uit het stopcontact vooraleer u onderhoud uitvoert.
Raak het blad niet aan, ook niet als het stilstaat.

Het blad mag alleen worden vervangen door uw erkende verdeler.

Draag altijd snijbestendige veiligheidshandschoenen (norm EN 388: 2003 index B= 5) tijdens de vervanging van het blad of tijdens een handeling in de buurt van het blad.

Elk onderhoud of vervanging van een onderdeel moet door een bevoegde persoon worden uitgevoerd.

6 BEDIENINGS- EN VEILIGHEIDSPANEEL

6.1 Bedieningspaneel:

Uw snijmachine is standaard uitgerust met een mechanisch toetsenbord (fig.1, n°4).

6.2 Werkzone:

De werkzone bevindt zich voor de machine (fig.3, n°20).

6.3 Veiligheidsvoorzieningen:

Deze machine is uitgerust met:

Een gecodeerde magnetische veiligheidsschakelaar (fig.6, n°21, 22)

Een veiligheidsmagneet

Magnetische sensor

Deze stopt de machine wanneer de deur vooraan (fig.1, n°10) met de grendel wordt geopend (fig.1, n°9).

Een gecodeerde magnetische veiligheidsschakelaar (fig.6, n°24)

Een veiligheidsmagneet

Magnetische sensor

Deze verhindert dat de machine start wanneer de klep wordt geopend (fig.1, n°1).

Een mechanische veiligheidsvergrendeling (fig. 6, n°23)

Deze verhindert dat de klep (fig.1, n°1) kan worden geopend wanneer de machine werkt.

7 GEBRUIK

Voor het gebruik moeten de met een rem uitgeruste zwenkwielen worden vastgezet (fig.1, n°7).

Zet de machine in het begin van de dag onder spanning met de hoofdschakelaar (fig.2, n°12)

Gebruiksprocedure (fig.4, 5)

A. Open de klep (fig.4, n°1).

B. Plaats uw brood op de toevoerband.

C. Let erop dat u het brood goed in de rechterhoek naar de voorkant van de machine plaatst.

D. Sluit de klep.

E. Selecteer uit de drie beschikbare snijbreedtes de gewenste snijbreedte door op de overeenstemmende knop te drukken (dun, gemiddeld of dik). Uw brood wordt nu gesneden.

F. Open de klep als de groene knop knippert om de uitvoerband (fig.3, n°15) en het gesneden brood (fig.6, n°8) eruit te halen en steek het op de broodplank in een zak (fig.1, n°3).

8 ONDERHOUD

8.1 Dagelijks door een opgeleide gebruiker.

A. Controleer of u de kruimelbak niet moet leegmaken (fig.1, n°8). (NB: Vergeet de deur niet

B. te vergrendelen.)

C. Maak de planken schoon (fig.3, n°15, 17) met een borstel.

D. Maak de optische sensor schoon (fig.3, n°30).

E. Maak het glas van de klep schoon (fig.1, n°1) en houd deze daarbij in schoonmaakpositie (fig.11).

F. Gebruik een droge doek om de binnenkant schoon te maken.

G. Gebruik een vochtige doek om de buitenkant schoon te maken.

H. De schoonmaakmodus inschakelen:

Druk op het mechanisch toetsenbord tegelijkertijd op de twee rode en groene knoppen.

Druk op het aanraakscherm op het symbool 'borstel' in de rechterbovenhoek.

8.2 Jaarlijks door een erkende verdeler.

- A. Haal de stekker uit het stopcontact (fig.2, n°13).
- B. Controleer de staat van het snijblad (fig.1, n°2).
- C. Als de snijkwaliteit daalt, vervang dan het snijblad (JAC-referentie: BVSLA030 in de reserveonderdelencatalogus van JAC)
- D. Als het moeten worden vervangen, vervang het blad dan conform de vervangingsprocedure voor snijbladen (fig.7).
- E. Maak schoon met een borstel en stofzuig de binnenkant van de machine.

Controleer goed of uw erkende verdeler zijn interventie in uw onderhoudsboekje heeft genoteerd zodat u uw garantie van vijf jaar behoudt.

8.3 Vervanging van de bladen.

(fig.7)

Draag altijd snijbestendige veiligheidshandschoenen (norm EN 388: 2003 index B= 5) en veiligheidsschoenen tijdens de vervanging van het blad of tijdens een handeling in de buurt van het blad.

Nadat u er zeker van bent dat de stekker van uw machine (fig.2, n°15) uit het stopcontact is gehaald.

Open de deur (fig.1, n°10) met de grendel (fig.1, n°9).

Haal de kruimelbak eruit (fig.1, n°8).

Vervang het blad (fig.7):

- A. Schroef de twee meegeleverde sleutels aan de linkerkant van de machine los (fig.7, n°25).
- B. Haal de bladbescherming (fig.1, n°6) eruit met behulp van de schroeven met holle binnenzeskant.
- C. Draai de schroef die het blad op zijn plaats houdt los (fig.7, n°26) met behulp van de twee sleutels (fig.7, n°25).
- D. Verwijder de stut en vervang het blad. Let er daarbij op dat u het goed in de veiligheidsringen plaatst. Plaats de stut terug.
- E. Draai met de meegeleverde sleutels de nieuwe bij uw blad meegeleverde schroef vast om het blad vast te zetten. Het is belangrijk om de nieuwe schroef te gebruiken voor een optimale aanspanning.

Plaats de kruimelbak terug en sluit de deur.

Steek de machine in het stopcontact. De machine is klaar.

Controleer goed of uw erkende verdeler zijn interventie in uw onderhoudsboekje heeft genoteerd zodat u uw garantie van vijf jaar behoudt.

Houd er rekening mee dat uw blad opnieuw kan worden geslepen. Neem contact op met uw erkende verdeler voor meer informatie.

9 VERBRUIKSGOEDEREN

Ga bij de bestelling van een reserveonderdeel met uw verdeler na om welk stuk het gaat op basis van de reserveonderdelencatalogus van de fabrikant.
Geef altijd het machinenummer op zoals vermeld op het identificatieplaatje.
Uw verdeler voert de bestellingen uit bij JAC.

9.1 Lijst met VERBRUIKSGOEDEREN

ARTIKELCODE	OMSCHRIJVING	MODEL
BVSLT017	WIELTJE VAN KLEP	ALLE
7240038	MOTORRIEM	ALLE
BVSLA030	CIRKELBLAD Ø420 MM	ALLE
7240042	LINEAIRE GELEIDINGSRIEM	ALLE

10 STORINGEN

Probleem	Controle
De machine start niet op	Sluit de machine met een kabel op het net aan (fig.2, n°13).
	Schakel de hoofdschakelaar in (fig.2, n°12).
	Sluit de klep (fig.1, n°1).
	Vergrendel de deur (fig.1, n°10).
De machine gaat van start maar het brood is beschadigd	Vervang het blad (fig.7).
	Laat het brood enkele uren afkoelen.
	Plaats brood met toegelaten afmetingen.
	Plaats een redelijk stevig brood.
	Als het blad in de foute richting lijkt te draaien, keer dan de twee fasen in de stekker van de machine om.

OPGELET: Bij elke tussenkomst moet de machine verplicht worden uitgetrokken.



Als het probleem zich blijft voordoen, neem dan contact op met uw technicus.

11 FOUTCODES

Knippen of code op het scherm weergegeven	Beschrijving van het probleem	Actie
ERR 001	Geen detectie van greep (S3)	Start de machine opnieuw op met behulp van de hoofdschakelaar (fig.2, n°12). Als het probleem zich blijft voordoen, neem dan contact op met uw technicus.
ERR 002	Geen detectie van rotor (S4)	
ERR 003	Geen detectie van wagen (S8)	
ERR 004	Geen detectie van brood (SW1)	
ERR 005	Veiligheidsopening tijdens cyclus	
ERR 006	Time-out wagen heen	
ERR 007	Time-out wagen terug	
ERR 008	Bug/geen communicatie	
ERR 009	Stroom motor klem	
ERR 010	Thermisch motorblad (F3)	
ERR 011	Remstoring	



Als het probleem zich blijft voordoen, neem dan contact op met uw technicus.

12 LIJST MET ONDERDELEN OP DE AFBEELDINGEN

Afbeelding	Nummer	Naam
1	1	Klep bovenaan
	2	Blad
	3	Broodplank
	4	Selectieknoppen
	5	Zakkenhouder (optie)
	6	Bladbescherming
	7	Veiligheidswieltjes
	8	Kruimelbak
	9	Vergrendeling van deur vooraan
	10	Deur vooraan
2	11	Wieltjes van klep
	12	Hoofdschakelaar
	13	Aansluitingskabel
	14	Manipulatiegrepen
3	15	Afvoerband
	16	Steunarm voor brood
	17	Toevoerband
	18	Omhuiling van de greep
	19	Greep
	20	Werkzone
6	30	Optische sensor
	21	Veiligheidssensor
	22	Veiligheidsmagneet
	23	Mechanische grendel
7	24	Veiligheidssensor
	25	Sleutels voor het demonteren van het blad
8	26	Bladschroef
	28	Sticker gevaar voor elektrocutie
	29	Elektrisch schema

1	ПЕРЕД ВВОДОМ В ЭКСПЛУАТАЦИЮ	54
2	ГАРАНТИЯ	54
3	ПРЕДУПРЕЖДЕНИЯ	55
4	ТЕХНИЧЕСКИЕ ХАРАКТЕРИСТИКИ	56
4.1	<i>Технические характеристики</i>	<i>56</i>
4.2	<i>Подробности о материалах, находящихся в непосредственном контакте с тестом.....</i>	<i>56</i>
5	УСТАНОВКА И ВВОД В ЭКСПЛУАТАЦИЮ	57
5.1	<i>Распаковка машины</i>	<i>57</i>
5.2	<i>Место установки</i>	<i>57</i>
5.3	<i>Электрическое подключение</i>	<i>57</i>
5.4	<i>Ввод в эксплуатацию</i>	<i>58</i>
5.5	<i>Опасность</i>	<i>58</i>
6	ОРГАНЫ УПРАВЛЕНИЯ И ПРЕДОХРАНИТЕЛЬНЫЕ УСТРОЙСТВА.....	59
6.1	<i>Органы управления</i>	<i>59</i>
6.2	<i>Рабочая зона</i>	<i>59</i>
6.3	<i>Предохранительные устройства.....</i>	<i>59</i>
7	ЭКСПЛУАТАЦИЯ.....	59
8	ТЕХНИЧЕСКОЕ ОБСЛУЖИВАНИЕ	60
8.1	<i>Ежедневное, выполняется пользователем, прошедшим подготовку.</i>	<i>60</i>
8.2	<i>Ежегодное, выполняется аккредитованным специалистом.....</i>	<i>60</i>
8.3	<i>Замена ножей.....</i>	<i>60</i>
9	РАСХОДНЫЕ МАТЕРИАЛЫ.....	61
9.1	<i>Список РАСХОДНЫХ МАТЕРИАЛОВ</i>	<i>61</i>
10	НЕПОЛАДКИ В РАБОТЕ	62
11	КОДЫ ОШИБОК.....	63
12	СПИСОК КОМПЛЕКТУЮЩИХ НА ИЗОБРАЖЕНИЯХ.....	64

1 ПЕРЕД ВВОДОМ В ЭКСПЛУАТАЦИЮ

Благодарим за то, что выбрали компанию JAC. Перед установкой машины и ее вводом в эксплуатацию обязательно прочтите настоящее руководство. Таким образом вы сможете защитить себя и избежать повреждений машины.

В настоящем руководстве содержатся ссылки на различные изображения, облегчающие понимание инструкций. Эти изображения находятся в конце руководства. Обращайтесь к ним, когда встретите в тексте обозначения следующего вида: (fig.X, n°Y).

Для полной удовлетворенности работой машины в будущем предлагаем ознакомиться с поданными ниже правилами.

- Для установки машины, ее ввода в эксплуатацию и контроля работы обращайтесь к аккредитованному специалисту.

- Чтобы на машину подействовала 5-летняя гарантия (см. необходимые условия далее), дистрибьютор должен заполнить журнал технического обслуживания при установке машины. Журнал технического обслуживания находится с тыльной части машины.

2 ГАРАНТИЯ



Компания JAC предоставляет 5-летнюю гарантию на всю свою продукцию.

Гарантия распространяется на все детали машины, в том числе электронные, кроме расходных материалов. Гарантия вступает в силу с даты установки оборудования.

Гарантия действует при соблюдении следующих ограничительных условий:

- приобретение оборудования у аккредитованного дистрибьютора;
- выполнение установки аккредитованным специалистом;
- использование оборудования в соответствии с указаниями в руководстве по эксплуатации и по назначению, предусмотренному при производстве;
- ежедневное обслуживание оборудования в соответствии с указаниями в руководстве по эксплуатации;
- выполнение технического обслуживания аккредитованным специалистом в соответствии с требованиями по техническому обслуживанию не реже одного раза в год (производится за счет пользователя);
- использование исключительно оригинальных деталей компании JAC.



При отсутствии контроля технического обслуживания со стороны аккредитованного специалиста и/или в случае неправильного ведения журнала технического обслуживания действие гарантии ограничивается одним годом.

Гарантия не распространяется:

- на замену расходных материалов (§9);
- на детали, признанные неисправными не нашей компанией;
- на проблемы, возникшие вследствие неправильной эксплуатации оборудования;

- на проблемы, возникшие вследствие установки машины не аккредитованным специалистом;
- на детали или проблемы, связанные с нанесением ущерба во время транспортировки или ненадлежащим обращением при погрузочно-разгрузочных работах.

Ремонт и/или замена неисправных деталей, выполненные в течение гарантийного периода, не могут послужить причиной продления данной гарантии.

3 ПРЕДУПРЕЖДЕНИЯ

Настоящее руководство следует сохранить для получения справочной информации при дальнейшей эксплуатации машины. В случае продажи или передачи машины другому лицу следует удостовериться, что руководство по эксплуатации передается вместе с ней, чтобы пользователь мог получить информацию о ее работе и связанных с ней предупреждениях.



Предупреждения изложены для обеспечения вашей безопасности и безопасности других лиц. Просим вас внимательно прочесть эти предупреждения перед установкой и эксплуатацией машины.

Машина разработана для использования совершеннолетними лицами с соответствующим разрешением. Поэтому нужно следить за тем, чтобы дети не прикасались к машине и не использовали ее в качестве игрушки.

Данная машина предусмотрена для эксплуатации в режиме самообслуживания.

Опасно вносить изменения (и даже пытаться) в характеристики машины.

После установки машины убедитесь в том, что она не стоит на кабеле электроснабжения.

Соблюдайте данные инструкции по эксплуатации.

Машина должна храниться и использоваться в помещении, защищенном от сырости и жары.

Машина должна быть обеспечена достаточным освещением для выполнения работы.

Уровень шума машины ниже 75 дБ(А) согласно стандарту EN ISO 3744.

Машина не должна использоваться несколькими операторами параллельно (если не предписано иное).

Данная машина предназначена для нарезки печеного и выдержанного хлеба.

Данная машина не предназначена для следующих материалов и видов хлеба:

- Горячий хлеб, черствый хлеб.
- Замороженный или частично размороженный хлеб.
- Цельнозерновой хлеб с твердой коркой и другие виды хлеба с твердой коркой.
- Ржаной хлеб.



- Несъедобные изделия из древесины, пластмассы и аналогичных материалов.
- Любые продукты питания, не входящие в категорию хлебных или кексовых изделий.

Нарезка перечисленных видов хлеба или материалов может привести к повреждению машины.



Всегда отключайте машину от сети электропитания перед выполнением чистки внутренних/внешних поверхностей и операций по техническому обслуживанию.

Машина тяжелая. Принимайте все необходимые меры предосторожности при транспортировке и погрузочно-разгрузочных работах.

4 ТЕХНИЧЕСКИЕ ХАРАКТЕРИСТИКИ

4.1 Технические характеристики

	VSL7	VSL9
Высота (мм)	1091	1091
Ширина (мм)	795	985
Глубина (мм)	826	826
Длина входного канала (мм)	360	430
Ширина входного канала (мм)	28,5	28,5
Высота входного канала (мм)	16 (20)	16 (20)
Упаковка (мм)	1250 x 1200 x 800	1250 x 1200 x 800
Вес нетто (кг)	220	230
Вес нетто + упаковка (кг)	250	260
Мощность мотора (кВт)	1,1	1,1
Тип мотора	Трехфазный	Трехфазный
220 В, 50 Гц (А)	5	5
380 В, 50 Гц (А)	3,2	3,2
Мощность (об/мин)	120	120
Диаметр ножа (мм)	420	420
Уровень шума (дБ)	<75	<75

Корпус из нержавеющей стали	опция
Держатель для пакетов	опция
Инструкция с пояснениями	опция
Специальный цвет	опция

4.2 Подробности о материалах, находящихся в непосредственном контакте с тестом.

Входная полка: НЕРЖ. 430

Кожух захвата: НЕРЖ. 430

Захват: НЕРЖ. 430

Нож: ТЕФЛОН



Выходная полка: НЕРЖ. 5WL 430
Рычаг отведения буханки: НЕРЖ. 430
Устройство для упаковки в пакеты: НЕРЖ. 430

5 УСТАНОВКА И ВВОД В ЭКСПЛУАТАЦИЮ

5.1 Распаковка машины

Машины из наших цехов поставляются на поддонах, закрепленные ремнями и в защитной картонной коробке. Прежде всего следует осмотреть упаковку на предмет наличия повреждений, полученных во время транспортировки, и сообщить о них непосредственно экспедитору.

- A. Удалите картонную коробку и упаковочный пакет машины.
- B. Снимите ремни, обратив особое внимание на их ослабление при разрезании.
- C. Открепите машину от поддона, сняв деревянные рейки, фиксирующие колесики.
- D. Снимите машину с поддона. В этой операции должны участвовать не менее двух человек для обеспечения максимально плавного соприкосновения машины с полом.

После распаковки машины убедитесь, что она не подвергалась повреждениям во время транспортировки. Сообщайте нам о любых дефектах.

5.2 Место установки

Для обеспечения долгосрочной высокой производительности и надежности машины следует правильно выбрать место установки.

Оно должно быть хорошо проветриваемым, защищенным от воздействия прямых солнечных лучей, удаленным от источников тепла, с ровной и прочной поверхностью, не подвергающейся вибрации.

5.3 Электрическое подключение

ВАЖНО! Обязательно наличие заземления.

Рекомендуется защитить электрическую установку с помощью плавкого предохранителя и дифференциального автоматического выключателя.

Электрическая установка, обеспечивающая питание машины, должна быть защищена следующим образом:

- Северная Америка: защита 15 А;
- Остальные страны: защита 16 А.

Машины, оборудованные регулятором скорости, обязательно должны подключаться к разветвительной коробке на линии с дифференциальным автоматом 300 мА.

Примечание. Любые проблемы, возникшие в связи с иным видом подключения, не будут покрываться гарантией.

Перед подключением машины к электросети и во избежание выхода мотора из строя в момент подключения следует убедиться в соответствии электросети характеристикам машины (см. заводской щиток).

Машина соответствует директивам о безопасности машин и оборудования 2006/42, 2006/95, 2004/108 и имеет подтверждающую маркировку ЕС.

Ознакомьтесь с пиктограммами техники безопасности, имеющимися на машине.



Пиктограмма, предупреждающая об опасности поражения электрическим током. Отключайте машину перед выполнением любых работ. Пиктограмма находится сзади машины, рядом с кабелем питания и внутри машины на отсеке электрощитка. (fig. 8, 28)

Электросхема машины находится на обратной стороне дверцы отсека электрощитка. (fig. 8, 29)

5.4 Ввод в эксплуатацию

Перед вводом в эксплуатацию убедитесь в отсутствии любых посторонних предметов на подвижных частях машины.

После проверки соответствия электрических характеристик в первую очередь убедитесь в том, что мотор вращается в правильном направлении. Если нож останавливается в канале нарезки, и машина переходит в режим сбоя, немедленно отключите электропитание и поменяйте местами два провода фазы на разьеме.

Для получения ответов на все вопросы, касающиеся эксплуатации машины, см. раздел «Эксплуатация».

5.5 Опасность

В случае возникновения опасности для пользователя или для машины следует отключить электропитание с помощью главного выключателя.

Извлеките штекер из электрической розетки перед выполнением любых операций по техническому или периодическому обслуживанию.

Не прикасайтесь к ножу, даже если машина выключена.

Для замены ножа обратитесь к аккредитованному дистрибьютору.

Обязательно надевайте защитные перчатки, предохраняющие от порезов (стандарт EN 388: 2003, индекс B = 5), во время выполнения замены ножа или операций в непосредственной близости от ножа.

Все операции по техническому обслуживанию или замене деталей должны осуществляться квалифицированным сотрудником.

6 ОРГАНЫ УПРАВЛЕНИЯ И ПРЕДОХРАНИТЕЛЬНЫЕ УСТРОЙСТВА

6.1 Органы управления

Хлебозрезка серийно оборудована механической кнопочной панелью (fig.1, н°4).

6.2 Рабочая зона

Рабочая зона находится перед машиной (fig.3, н°20).

6.3 Предохранительные устройства

Оборудование на данной машине:

Кодированный магнитный аварийный выключатель (fig.6, н°21, 22).

Магнитное предохранительное устройство.

Магнитный датчик.

Останавливает работу машины при открытии передней дверцы (fig.1, н°10) с помощью запора (fig.1, н°9).

Кодированный магнитный аварийный выключатель (fig.6, н°24).

Магнитное предохранительное устройство.

Магнитный датчик.

Препятствует включению машины при открытии крышки (fig.1, н°1).

Механический предохранительный запор (fig.6, н°23).

Препятствует открытию крышки (fig.1, н°1) во время работы машины.

7 ЭКСПЛУАТАЦИЯ

Перед началом эксплуатации колесики, оснащенные тормозом, должны быть заблокированы (fig.1, н°7).

В начале рабочего дня машину следует включить с помощью главного выключателя. (fig.2, н°12)

Порядок эксплуатации (fig.4, 5)

A. Откройте крышку (fig.4, н°1).

B. Поместите буханку на входную полку.

C. Обязательно поместите буханку в правый угол в направлении передней части машины.

D. Закройте крышку.

E. Выберите нужную толщину ломтей из 3 возможных вариантов, нажав на соответствующую кнопку (тонкие, средние толстые). Начинается нарезка буханки.

F. Когда начнет мигать зеленая кнопка, откройте крышку, чтобы забрать с выходной полки (fig.3, н°15) нарезанный хлеб (fig.6, н°8) и упаковать его с помощью устройства для упаковки в пакеты (fig.1, н°3).

8.1 Ежедневное, выполняется пользователем, прошедшим подготовку.

- A. Проверьте загруженность бака для крошек (fig.1, n°8) (Внимание! Не забудьте запереть B. дверцу на ключ.)
- C. Очистите полки (fig.3, n°15, 17) с помощью щетки.
- D. Очистите оптический датчик (fig.3, n°30).
- E. Очистите стекла крышки (fig.1, n°1) в положении для чистки (fig.11).
- F. Протрите сухой ветошью внутренние поверхности.
- G. Протрите влажной ветошью внешние поверхности.
- H. Включите режим чистки:
 - На механической кнопочной панели одновременно нажмите на красную и зеленую кнопки.
 - На сенсорном экране нажмите на изображение щетки в правом верхнем углу.

8.2 Ежегодное, выполняется аккредитованным специалистом.

- A. Извлеките штекер из розетки (fig.2, n°13).
- B. Проверьте состояние ножа (fig.1, n°2).
- C. При констатации снижения качества нарезки заказать замену ножа (артикул JAC: BVSLA030 в каталоге запасных частей компании JAC).
- D. Если нож подлежит замене, эта операция должна быть выполнена в соответствии с процедурой замены ножа (fig.7).
- E. Очистите внутренние поверхности машины с помощью щетки и пылесоса.

Проверьте внесение аккредитованным специалистом записей о выполненной работе в журнал технического обслуживания для сохранения 5-летней гарантии.

8.3 Замена ножей

(fig.7)

Обязательно надевайте защитные перчатки, предохраняющие от порезов (стандарт EN 388: 2003, индекс B = 5), и защитную обувь во время выполнения замены ножа или операций в непосредственной близости от ножа.

Убедитесь, что штекер машины (fig.2, n°13) отсоединен от электросети.

Откройте дверцу (fig.1, n°10) с помощью запора (fig.1, n°9).

Извлеките бак для крошек (fig.1, n°8).

Замена ножа (fig.7):

- A. Открутите два ключа, входящих в комплект поставки, на левой стороне машины (fig.7, n°25).
- B. Снимите защитное устройство ножа (fig.1, n°6), открутив винты с 6-гранным углублением.
- C. Открутите гайку, удерживающую нож (fig.7, n°26) с помощью двух ключей (fig.7, n°25).
- D. Извлеките клин и замените нож, убедившись в правильном расположении выступов, предохраняющих от неправильной установки. Установите клин на место.
- E. Закрутите новую гайку, поставляемую вместе с новым ножом, и зажмите ее с помощью ключей, входящих в комплект поставки. Для оптимального зажатия важно, чтобы была использована именно новая гайка.

Установите на место бак для крошек и закройте дверцу.

Подключите машину к электросети. Машина готова к работе.



Проверьте внесение аккредитованным специалистом записей о выполненной работе в журнал технического обслуживания для сохранения 5-летней гарантии.

\Обратите внимание, что нож можно затачивать повторно. Свяжитесь с аккредитованным специалистом для получения более подробной информации.

9 РАСХОДНЫЕ МАТЕРИАЛЫ

При заказе запасной части проверьте вместе с аккредитованным специалистом, о какой детали идет речь, по каталогу запасных частей, выпускаемому производителем.

Всегда уточняйте номер машины, указанный на заводском щитке.

Заказ в компании JAC может разместить ваш аккредитованный специалист.

9.1 Список РАСХОДНЫХ МАТЕРИАЛОВ

ITEM CODE	DESCRIPTION	MODEL
BVSLT017	COVER ROLLER	ALL
7240038	MOTOR BELT	ALL
BVSLA030	CIRCULAR BLADE, Ø 420 MM	ALL
7240042	LINEAR GUIDE BELT	ALL

Проблема	Проверка
Машина не запускается	Подключить машину с помощью кабеля (fig.2, n°13).
	Включите главный выключатель (fig.2, n°12).
	Закройте крышку (fig.1, n°1).
	Заблокируйте дверцу (fig.1, n°10).
Машина запускается, но повреждаются буханки	Заменить нож (fig.7)
	Дать хлебу остыть несколько часов.
	Загрузить буханку подходящих размеров.
	Загрузить достаточно твердую буханку.
	Если нож вращается в неправильную сторону, поменяйте две фазы на разъеме электропитания машины.

ВНИМАНИЕ! Перед выполнением любых ремонтных работ машина должна быть отключена от электроснабжения.



Если проблема не устраняется, обратитесь к вашему техническому специалисту.

11 КОДЫ ОШИБОК

Мигание или отображение кода на экране	Описание проблемы	Действие
ERR 001	Не обнаруживается захват (S3)	Перезапустите машину с помощью главного выключателя (fig.2, п°12). Если проблема не устраняется, обратитесь к вашему техническому специалисту.
ERR 002	Не обнаруживается ротор (S4)	
ERR 003	Не обнаруживается каретка (S8)	
ERR 004	Не обнаруживается буханка (SW1)	
ERR 005	Срабатывание предохранительного устройства прекращения цикла при открытии	
ERR 006	Истекло время подачи каретки	
ERR 007	Истекло время возврата каретки	
ERR 008	Баг/нет сигнала	
ERR 009	Ток мотора привода захвата	
ERR 010	Срабатывание термореле привода ножа (F3)	
ERR 011	Сбой тормоза	



Если проблема не устраняется, обратитесь к вашему техническому специалисту.

12 СПИСОК КОМПЛЕКТУЮЩИХ НА ИЗОБРАЖЕНИЯХ

Изображение	Номер	Название
1	1	Верхняя крышка
	2	Нож
	3	Устройство для упаковки в пакеты
	4	Переключатели
	5	Держатель пакетов (опция)
	6	Защитное устройство ножа
	7	Защитные ролики
	8	Бак для крошек
	9	Запор передней дверцы
	10	Передняя дверца
2	11	Ролики крышки
	12	Главный выключатель
	13	Соединительный кабель
	14	Рукоятки для транспортировки
3	15	Выходная полка
	16	Рычаг отведения буханки
	17	Входная полка
	18	Кожух захвата
	19	Захват
	20	Рабочая зона
	30	Оптический датчик
6	21	Предохранительный датчик
	22	Предохранительный магнит
	23	Механический запор
	24	Предохранительный датчик
7	25	Ключи для демонтажа ножа
	26	Гайка ножа
8	28	Наклейка «Опасность поражения электрическим током»
	29	Электросхема

1	ANTES DE LA PUESTA EN SERVICIO	66
2	GARANTÍA	66
3	ADVERTENCIAS	67
4	CARACTERÍSTICAS TÉCNICAS	68
4.1	<i>Características técnicas</i>	68
4.2	<i>Detalle de materiales en contacto directo con la masa</i>	68
5	INSTALACIÓN Y PUESTA EN SERVICIO	69
5.1	<i>Desembalaje de la máquina</i> :	69
5.2	<i>Ubicación</i> :	69
5.3	<i>Conexión eléctrica</i> :	69
5.4	<i>Puesta en servicio</i> :	70
5.5	<i>Peligro</i> :.....	70
6	CUADRO DE CONTROL Y DE SEGURIDAD	70
6.1	<i>Cuadro de control</i> :	70
6.2	<i>Área de trabajo</i> :	70
6.3	<i>Cuadro de seguridad</i> :	70
7	USO	71
8	LIMPIEZA	71
8.1	<i>Diaría por un usuario formado</i>	71
8.2	<i>Anual por un agente autorizado</i>	71
8.3	<i>Cambio de las cuchillas</i>	72
9	CONSUMIBLES	72
9.1	<i>Lista de CONSUMIBLES</i>	72
10	INCIDENTES DE FUNCIONAMIENTO	73
11	CÓDIGOS DE ERROR	74
12	LISTA DE COMPONENTES DE LAS FIGURAS	75

1 ANTES DE LA PUESTA EN SERVICIO

Gracias por elegir una solución JAC. Lea con atención este manual de uso antes de instalar y poner en servicio esta máquina. De esta forma, usted puede protegerse y evitar el deterioro de su máquina.

Este manual hace referencia a distintas figuras con el fin de facilitar la comprensión de las instrucciones. Estas figuras se encuentran al final del manual. Consúltelas cuando vea los siguientes símbolos: fig.X, n°Y.

Para que el funcionamiento de su máquina sea satisfactorio a lo largo de los próximos años, le invitamos a que lea los siguientes consejos:

- Solicite ayuda a su agente autorizado para la instalación, la puesta en servicio y el seguimiento.
- Para poder beneficiarse de la garantía de 5 años (consulte las condiciones recogidas a continuación), solicite a su distribuidor que complete la tarjeta de mantenimiento al instalar su máquina. Esta tarjeta de mantenimiento se encuentra en la parte trasera de su máquina.

2 GARANTÍA



JAC ofrece una garantía de 5 años en todos sus productos.

Esta garantía es válida para todas las piezas de su máquina, incluidas las electrónicas, excluyendo los consumibles. La garantía entra en vigor a partir de la fecha de instalación del material.

Con las siguientes condiciones restrictivas:

- El material debe haberse adquirido a un revendedor autorizado.
- La instalación deberá efectuarla un agente autorizado.
- El material debe utilizarse conforme a las indicaciones del manual de uso y para la finalidad para la que ha sido fabricado.
- El mantenimiento diario del material debe efectuarse conforme a las indicaciones del manual de uso.
- El agente autorizado debe hacer un seguimiento del mantenimiento conforme a las especificaciones de mantenimiento, como mínimo, una vez al año (mantenimiento a cargo del usuario).
- Deben utilizarse exclusivamente piezas originales JAC.



Si un agente autorizado no efectúa el seguimiento del mantenimiento y/o la tarjeta de mantenimiento no está cumplimentada correctamente, la garantía se limita a un año.

Esta garantía no cubre:

- La sustitución de consumibles (§9).
- Las piezas que nuestros servicios no reconozcan como defectuosas.
- Los problemas derivados de un uso anormal del material.
- Los problemas derivados de una instalación no efectuada por un agente autorizado.

- Las piezas o los problemas causados por daños en el transporte o por un mantenimiento inadecuado.

Una reparación y/o una sustitución de piezas defectuosas efectuadas durante el periodo de garantía no supondrá la prolongación de dicha garantía.

3 ADVERTENCIAS

Es muy importante conservar este manual de uso junto con el aparato para futuras consultas. Si este aparato se vende o se transfiere a otra persona, asegúrese de que se le entrega también el manual de uso para que el usuario pueda estar informado de su funcionamiento y de las advertencias que se recogen aquí.



Estas advertencias se dan por su seguridad y la de los demás. Le rogamos que las lea con atención antes de instalar y utilizar el aparato.

Esta máquina está diseñada para su uso por adultos autorizados. Asegúrese de que los niños no la toquen o que no la usen como un juguete.

Esta máquina está diseñada para un uso de autoservicio.

Es peligroso modificar o intentar modificar las características de esta máquina.

Después de instalar la máquina, asegúrese de que no aplasta el cable de alimentación.

Siga las instrucciones de uso.

Esta máquina debe almacenarse y utilizarse dentro de un local, protegida de la humedad y del calor.

Esta máquina debe estar suficientemente iluminada para efectuar el trabajo.

Esta máquina tiene un nivel sonoro inferior a 75 dB(A) según la norma EN ISO 3744.

Esta máquina debe utilizarla una sola persona a la vez (salvo indicación contraria).

Esta máquina está diseñada para el corte de panes cocidos y templados.



Esta máquina no está destinada a los siguientes panes y materiales:

- Panes calientes, panes duros.
- Panes congelados o parcialmente descongelados.
- Panes completos con una corteza dura y otros tipos de pan con corteza dura.
- Panes de centeno.
- Productos no comestibles como la madera, el plástico y materiales similares.
- Cualquier otro alimento que no forme parte de la categoría de panes o bizcochos.

La máquina puede sufrir daños al cortar panes o materiales no permitidos.



Desconecte siempre la toma de corriente antes de proceder a la limpieza interior y exterior del aparato y a las operaciones de mantenimiento.

Este aparato es pesado. Tome todas las precauciones de seguridad durante su mantenimiento.

4 CARACTERÍSTICAS TÉCNICAS

4.1 Características técnicas

	VSL7	VSL9
Altura (mm)	1091	1091
Anchura (mm)	795	985
Profundidad (mm)	826	826
Longitud del canal de entrada (mm)	360	430
Anchura del canal de entrada (mm)	28,5	28,5
Altura del canal de entrada (mm)	16 (20)	16 (20)
Embalaje (mm)	1250 x 1200 x 800	1250 x 1200 x 800
Peso neto (k)	220	230
Peso neto + embalaje (k)	250	260
Potencia del motor (kW)	1,1	1,1
Tipo de motor	Trifásico	Trifásico
220 v - 50 Hz (A)	5	5
380 v - 50 Hz (A)	3,2	3,2
Capacidad (rpm)	120	120
Diámetro de la cuchilla (mm)	420	420
Nivel sonoro (dB)	<75	<75

Chasis inox	Opcional
Porta-bolsas	Opcional
Cartel explicativo	Opcional
Color especial	Opcional

4.2 Detalle de materiales en contacto directo con la masa.

Tabla de entrada: INOX 430

Cárter de garra: INOX 430

Garra: INOX 430

Cuchilla: TEFLON

Tabla de salida: INOX 5WL 430

Brazo de agarre del pan: INOX 430

Embolsador: INOX 430

5.1 Desembalaje de la máquina:

Las máquinas que salen de nuestros talleres se entregan en palés atados y protegidos con cartón. Antes de realizar cualquier acción, debe observarse el embalaje e informar al transportista de cualquier daño debido al transporte.

- A. Quite el cartón y el plástico de embalaje de la máquina.
- B. Quite las cinchas prestando especial atención a su distensión al seccionarlas.
- C. Separe la máquina del palé levantando los listones de madera que bloquean las ruedas.
- D. Baje la máquina del palé. Efectúe esta operación entre dos personas como mínimo para amortiguar al máximo el contacto con el suelo.

Después de desembalar su máquina, compruebe que no ha sufrido daños durante el transporte. Infórmenos de cualquier anomalía.

5.2 Ubicación:

Para obtener un rendimiento excelente y una fiabilidad a largo plazo, elija una ubicación que esté:

Bien ventilada, protegida de los rayos directos del sol y alejada de fuentes de calor, con una superficie plana y robusta y sin vibraciones.

5.3 Conexión eléctrica:

IMPORTANTE: La toma de tierra es obligatoria.

Es aconsejable proteger la instalación con un fusible y un disyuntor diferencial.

La instalación eléctrica que suministra energía a la máquina debe estar protegida tal y como se indica a continuación:

- América del Norte: Protección 15 A.
- Resto del mundo: Protección 16 A.

Las máquinas equipadas con un variador deben estar conectadas obligatoriamente a una caja de derivación en una línea equipada con un diferencial de 300 mA.

Nota: La garantía no cubrirá cualquier problema ocasionado por una conexión de otro tipo.

Antes de conectar su máquina a la red y con el fin de evitar una avería del motor al encenderla, es importante comprobar la adecuación de la red de alimentación a las características de la máquina (consulte la placa informativa de la máquina).

Este aparato cumple con las directivas sobre máquinas 2006/42, 2006/95 y 2004/108 y lleva el marcado CE que lo certifica.

Consulte los pictogramas de seguridad que figuran en la máquina:



Pictograma que indica un riesgo de electrocución. Desconecte la máquina antes de hacer cualquier intervención. Lo encontrará en la parte trasera de la máquina, cerca del cable de alimentación y dentro de la máquina en la caja eléctrica (fig.8, 28).

Encontrará el esquema eléctrico de la máquina en la parte trasera de la puerta de la caja eléctrica (fig.8, 29).

5.4 **Puesta en servicio:**

Antes de la puesta en servicio, asegúrese de que no queda ningún objeto sobrante en las partes en movimiento de la máquina.

En primer lugar, y después de comprobar que la toma de corriente se ajusta a las características eléctricas de la máquina, asegúrese de que el motor gira en el sentido correcto. Si la cuchilla se detiene en el canal de corte y la máquina indica un error, desconecte inmediatamente e invierta, en la toma, dos cables de fase. Para utilizar la máquina, consulte el apartado «Uso».

5.5 **Peligro:**

En caso de peligro para el usuario o para la máquina, debe utilizar el interruptor general para cortar la alimentación de la máquina.

Quite el enchufe de la toma de corriente antes de efectuar cualquier operación de mantenimiento y de limpieza.

No toque la cuchilla incluso si la máquina está parada.

Para cambiar la cuchilla, solicite la intervención de su distribuidor autorizado.

Lleve siempre guantes de protección anticorte (Norma EN 388: 2003 índice B= 5) al sustituir la cuchilla o cuando trabaje cerca de la cuchilla.

Cualquier operación de mantenimiento o de sustitución de piezas debe efectuarla una persona cualificada.

6 ***CUADRO DE CONTROL Y DE SEGURIDAD***

6.1 **Cuadro de control:**

Su cortadora está equipada de serie con un teclado mecánico (fig.1, n°4)

6.2 **Área de trabajo:**

El área de trabajo está situada en la parte delantera de la máquina (fig.3, n°20)

6.3 **Cuadro de seguridad:**

Esta máquina está equipada con:

Un interruptor de seguridad magnético codificado (fig.6, n°21,22)

Un imán de seguridad

Un sensor magnético



Que detiene la máquina al abrir la puerta delantera (fig.1, n°10) con el cerrojo (fig.1, n°9)

Un interruptor de seguridad magnético codificado (fig. 6, n°24)

Un imán de seguridad

Un sensor magnético

Que impide que la máquina empiece a funcionar al abrir la tapa (fig.1, n°1)

Un cierre mecánico de seguridad (fig. 6, n°23)

Que impide abrir la tapa (fig.1, n°1) mientras la máquina está en funcionamiento

7 USO

Para utilizar la máquina, las ruedas provistas de freno deben estar bloqueadas (fig.1, n°7).

Al principio del día, encienda la máquina usando el interruptor general (fig.2, n°12)

Procedimiento de uso (fig.4,5)

A. Abra la tapa (fig.4, n°1).

B. Coloque el pan en la tabla de entrada.

C. Tenga cuidado de colocar correctamente el pan en el rincón derecho hacia la parte delantera de la máquina.

D. Cierre la tapa.

E. Seleccione el grosor de rebanada deseado de los 3 grosores de rebanada disponibles pulsando el botón correspondiente (fino, medio o grueso). El rebanado del pan empezará.

F. Cuando el botón verde parpadee, abra la tapa para extraer el pan cortado (fig.6, n°8) de la tabla de salida (fig.3, n°15) y embolsarlo con el embolsador (fig.1, n°3).

8 LIMPIEZA

8.1 Diaria por un usuario formado.

A. Compruebe si debe vaciar la bandeja de migas (fig.1, n°8) (Nota: no olvide bloquear

B. la puerta con llave)

C. Limpie las tablas (fig.3, n°15, 17) con un cepillo

D. Limpie el sensor óptico (fig.3, n°30)

E. Limpie el cristal de la tapa (fig.1, n°1) poniéndolo en posición de limpieza (fig.11)

F. Utilice un paño seco para limpiar el interior

G. Para la limpieza exterior, utilice un paño húmedo

H. Activar el modo limpieza:

En el teclado mecánico, pulse los dos botones rojo y verde al mismo tiempo

En la pantalla táctil, pulse el símbolo «cepillo» en el lado superior derecho

8.2 Anual por un agente autorizado.

A. Quite el enchufe de la toma de corriente (fig.2, n°13)

B. Compruebe el estado de la cuchilla de corte (fig.1, n°2)

C. Si se percibe una bajada de la calidad de corte, es necesario sustituir la cuchilla de corte (referencia JAC: BVSLA030 del catálogo de Piezas de Recambio JAC)

D. Si se debe cambiar, hágalo de acuerdo con el procedimiento de cambio de la cuchilla de corte (fig.7)

E. Limpie con un cepillo y aspire el interior de la máquina.

Compruebe que su agente autorizado registre su intervención en su tarjeta de mantenimiento para conservar su garantía de 5 años.

8.3 Cambio de las cuchillas

(fig.7)

Lleve siempre guantes de protección anticorte (Norma EN 388: 2003 índice B= 5) y calzado de seguridad al sustituir la cuchilla o cuando trabaje cerca de la cuchilla.

Después de asegurarse de que el enchufe de su máquina (fig.2, n°13) está desconectado de la corriente.

Abra la puerta (fig.1, n°10) con ayuda del cerrojo (fig.1, n°9).

Retire la bandeja de migas (fig.1, n°8).

Cambie la cuchilla (fig.7):

A. Afloje las dos llaves incluidas situadas en el lado izquierdo de la máquina (fig.7, n°25)

B. Retire la protección de la cuchilla (fig.1, n°6) con ayuda de los tornillos hexagonales huecos

C. Afloje la tuerca de sujeción de la cuchilla (fig.7, n°26) con las dos llaves (fig.7, n°25)

D. Retire el calzo y cambie la cuchilla procurando colocarla correctamente en los pasadores de posicionado. Vuelva a colocar el calzo

E. Atornille y apriete la nueva tuerca suministrada con la nueva cuchilla para bloquear la cuchilla con ayuda de las llaves incluidas. Es importante colocar la nueva tuerca con un apriete óptimo.

Coloque la bandeja de migas y cierre la puerta.

Conecte la máquina a la red eléctrica, la máquina está lista.

Compruebe que su agente autorizado registre su intervención en su tarjeta de mantenimiento para conservar su garantía de 5 años.

La cuchilla se puede volver a afilar, póngase en contacto con su agente para obtener más información.

9 **CONSUMIBLES**

Al pedir una pieza de recambio, compruebe con su agente autorizado de qué pieza se trata con base en el catálogo de piezas de recambio del fabricante.

Indique siempre el número de máquina tal y como se indica en la placa informativa.

Su agente efectuará el pedido a JAC.

9.1 Lista de CONSUMIBLES

CÓDIGO DE ARTICULO	ETIQUETA	MODELO
BVSLT017	RUEDA DE TAPA	TODOS
7240038	CORREA DEL MOTOR	TODOS
BVSLA030	CUCHILLA CIRCULAR Ø420 MM	TODOS
7240042	CORREA GUÍA LINEAL	TODOS

10 INCIDENTES DE FUNCIONAMIENTO

Problema	Comprobación
La máquina no se pone en funcionamiento	Conecte la máquina con el cable (fig.2, n°13)
	Active el interruptor principal (fig.2, n°12)
	Cierre la tapa (fig.1, n°1)
	Bloquee la puerta (fig.1, n°10)
La máquina se pone a funcionar, pero daña los panes	Cambie la cuchilla (fig.7)
	Deje que el pan se enfríe unas horas
	Introduzca un pan con el tamaño adecuado
	Introduzca un pan lo suficientemente firme
	Si parece que la cuchilla gira en el sentido incorrecto, invierta dos fases en la toma de corriente de la máquina

ATENCIÓN: Para cualquier intervención, la máquina deberá estar desenchufada obligatoriamente.



Si el problema persiste, póngase en contacto con su técnico.

11 CÓDIGOS DE ERROR

Parpadeo o código mostrado en pantalla	Descripción del problema	Acción
ERR 001	No se detecta la garra (S3)	Reinicie la máquina con el interruptor principal (fig.2, n°12). Si el problema persiste, póngase en contacto con su técnico.
ERR 002	No se detecta el rotor (S4)	
ERR 003	No se detecta el carro (S8)	
ERR 004	No se detecta el pan (SW1)	
ERR 005	Apertura de seguridad durante el ciclo	
ERR 006	Tiempo de espera de ida del carro agotado	
ERR 007	Tiempo de espera de vuelta del carro agotado	
ERR 008	Fallo / sin comunicación	
ERR 009	Corriente del motor de la pinza	
ERR 010	Térmico del motor de la cuchilla (F3)	
ERR 011	Fallo de freno	



Si el problema persiste, póngase en contacto con su técnico.

12 LISTA DE COMPONENTES DE LAS FIGURAS

Figura	Número	Nombre
1	1	Tapa superior
	2	Cuchilla
	3	Embolsador
	4	Botones de selección
	5	Porta-bolsas (opcional)
	6	Protección de cuchilla
	7	Ruedas de seguridad
	8	Bandeja de migas
	9	Cierre de puerta delantera
	10	Puerta delantera
2	11	Ruedecillas de la tapa
	12	Interruptor principal
	13	Cable de conexión
	14	Mangos de sujeción
3	15	Tabla de salida
	16	Brazo de agarre del pan
	17	Tabla de entrada
	18	Cárter de garra
	19	Garra
	20	Área de trabajo
	30	Sensor óptico
6	21	Sensor de seguridad
	22	Imán de seguridad
	23	Bloqueo mecánico
	24	Sensor de seguridad
7	25	Llaves para desmontar la cuchilla
	26	Tuerca de la cuchilla
8	28	Pegatina de riesgo de electrocución
	29	Esquema eléctrico

1	PRIMA DELLA MESSA IN FUNZIONE	78
2	GARANZIA.....	78
3	AVVERTENZE	79
4	CARATTERISTICHE TECNICHE	80
4.1	<i>Caratteristiche tecniche</i>	<i>80</i>
4.2	<i>Dettaglio materiali in contatto con la pasta</i>	<i>80</i>
5	INSTALLZIONE E MESSA IN FUNZIONE	81
5.1	<i>Disimballo della macchina:</i>	<i>81</i>
5.2	<i>Posizionamento:</i>	<i>81</i>
5.3	<i>Collegamento elettrico:</i>	<i>81</i>
5.4	<i>Messa in servizio:</i>	<i>82</i>
5.5	<i>Pericolo:</i>	<i>82</i>
6	ORGANO DI COMANDO E DI SICUREZZA	82
6.1	<i>Organo di comando:</i>	<i>82</i>
6.2	<i>Zona di lavoro:</i>	<i>82</i>
6.3	<i>Organi di sicurezza:</i>	<i>82</i>
7	UTILIZZO	83
8	MANUTENZIONE.....	83
8.1	<i>Quotidiana da parte di un utilizzatore addestrato</i>	<i>83</i>
8.2	<i>Annuale da parte di un utilizzatore autorizzato</i>	<i>83</i>
8.3	<i>Sostituzione delle lame</i>	<i>84</i>
9	COMPONENTI DI CONSUMO.....	84
9.1	<i>Elenco dei COMPONENTI DI CONSUMO</i>	<i>84</i>
10	INCIDENTI DI FUNZIONAMENTO	85
11	CODICI DI ERRORE	86
12	ELENCO DEI COMPONENTI INDICATI NELLE FIGURE	87

1 PRIMA DELLA MESSA IN FUNZIONE

Grazie per aver scelto una soluzione JAC. Si invita a leggere con attenzione queste note informative prima di procedere all'installazione e alla messa in servizio di questa macchina. Contengono informazioni su come proteggersi e come evitare il deterioramento della macchina.

Queste informazioni fanno riferimento a diverse figure, in modo da facilitare la comprensione delle istruzioni. Le figure si trovano al fondo delle informazioni. Si invita a farvi riferimento quando si incontrano i seguenti simboli (fig. X, n. Y).

Per una totale soddisfazione dall'utilizzo della macchina nei prossimi anni, si invita a tenere presenti i seguenti consigli:

- Farsi aiutare dal tecnico autorizzato per l'installazione, la messa in servizio e il follow-up.
- Per beneficiare della garanzia di 5 anni (vedere le condizioni riportate in seguito), far compilare dal distributore, il libretto di manutenzione al momento dell'installazione della macchina. Il libretto di manutenzione si trova nella parte posteriore della macchina.

2 GARANZIA



JAC offre una garanzia di 5 anni su tutti i suoi prodotti.

Questa garanzia è valida su tutte le parti della macchina, comprese quelle elettroniche, a parte i componenti di consumo. La garanzia entra in vigore a partire dalla data di installazione del materiale.

Secondo le seguenti condizioni restrittive:

- Materiale acquistato presso un rivenditore autorizzato.
- Installazione effettuata da un tecnico autorizzato.
- Utilizzo del materiale conformemente alle indicazioni sul modo di utilizzo e nel rispetto della finalità per la quale è stato fabbricato.
- Materiale quotidianamente mantenuto nel rispetto delle indicazioni delle modalità di utilizzo.
- Manutenzioni successive da parte del tecnico autorizzato conformemente alle specifiche di manutenzione con, al minimo, una manutenzione l'anno (manutenzione a carico dell'utente).
- L'utilizzo esclusivo di parti originali JAC.



Se non si eseguono interventi di manutenzione da parte di un tecnico autorizzato e/o il libretto di manutenzione non è correttamente completato, la garanzia si limita ad un anno.

Questa garanzia non copre:

- La sostituzione dei componenti di consumo (§9).
- Le parti non riconosciute difettose dai nostri servizi.
- I problemi derivanti da un utilizzo anomalo del materiale.
- I problemi derivanti da un'installazione non effettuata da un tecnico autorizzato.

- Le parti o i problemi derivanti da un danno di trasporto o da una manutenzione inadeguata.

Una riparazione e/o una sostituzione di parti difettose effettuate durante il periodo di garanzia non producono l'effetto di prolungare detta garanzia.

3 AVVERTENZE

È molto importante che le istruzioni per l'utilizzo siano conservate con l'apparecchio per ogni consultazione futura. Se questo macchinario deve essere venduto o trasferito ad un'altra persona, accertarsi che le istruzioni per l'utilizzo siano consegnate all'utente destinatario in modo che possa essere informato sul funzionamento e sui messaggi di avvertenza ad esso riferiti.



Tali avvertenze sono fornite per la vostra sicurezza e per quella altrui. Si prega di leggerle con attenzione prima di installare e utilizzare il macchinario.

Questa macchina è stata progettata per essere utilizzata da adulti autorizzati. Accertarsi quindi che i bambini non le si avvicinino e che non la utilizzino come un giocattolo.

Questa macchina è pensata per un utilizzo Self-Service.

È pericoloso modificare o provare a modificare le caratteristiche di questa macchina.

Accertarsi dopo averla installata, che non appoggi sul cavo di alimentazione.

Seguire le istruzioni fornite per l'utilizzo.

Questa macchina deve essere sistemata e utilizzata all'interno di un locale, al riparo da umidità e calore.

Deve essere illuminata a sufficienza per poter funzionare.

La macchina produce un livello di rumore inferiore a 75 dB(A), conforme alla norma EN ISO 3744.

La macchina deve essere utilizzata da una sola persona per volta (salvo prescrizioni contrarie).

Questa macchina è destinata al taglio del pane cotto e raffreddato.



Questa macchina non è destinata ai seguenti materiali e tipi di pane:

- Pane caldo, pane raffermo.
- Pane congelato, o parzialmente scongelato.
- Pane integrale con una crosta dura e altri tipi di pane a crosta dura.
- Pane di segale.
- Prodotti non commestibili come legno, plastica e materiali simili.
- Ogni alimento che non fa parte della categoria dei tipi di pane o delle torte.

La macchina si può danneggiare con il taglio di pani o materiali non autorizzati.



Staccare sempre il cavo di alimentazione prima di procedere alla pulizia interna/esterna del macchinario e alle operazioni di manutenzione.

Questo macchinario è pesante. Adottare tutte le precauzioni di sicurezza al momento della manutenzione.

4 CARATTERISTICHE TECNICHE

4.1 Caratteristiche tecniche

	VSL7	VSL9
Altezza (mm)	1091	1091
Larghezza (mm)	795	985
Profondità (mm)	826	826
Altezza del canale d'ingresso (mm)	360	430
Larghezza del canale d'ingresso (mm)	28,5	28,5
Altezza del canale d'ingresso (mm)	16 (20)	16 (20)
Imballaggio (mm)	1250 x 1200 x 800	1250 x 1200 x 800
Peso netto (kg)	220	230
Peso NETTO + imballaggio (kg)	250	260
Potenza motore (kW)	1,1	1,1
Tipo di motore	Trifase	Trifase
220v - 50Hz (A)	5	5
380v - 50Hz (A)	3,2	3,2
Capacità (giri/minuto)	120	120
Diametro della lama (mm)	420	420
Livello sonoro (dB)	<75	<75

Involucro inox	opzionale
Porta-sacchetti	opzionale
Cartello illustrativo	opzionale
Colore speciale	opzionale

4.2 Dettaglio materiali in contatto con la pasta.

Ripiano di alimentazione: INOX 430

Carter di griffa: INOX 430

Griffa: INOX 430

Lama: TEFLON

Ripiano d'uscita: INOX 5WL 430

Braccio di ritegno pane: INOX 430

Insacchettatrice: INOX 430

5.1 **Disimballo della macchina:**

Le macchine sono consegnate, franco fabbrica, su pallet, legate con cinghie e protette con pannelli di cartone. Prima di tutto, occorre esaminare l'imballaggio e ogni danno dovuto al trasporto deve essere dichiarato direttamente all'addetto alla consegna.

- A. Togliere il cartone e il sacchetto d'imballaggio dalla macchina.
- B. Togliere le cinghie facendo particolare attenzione allo sgancio di queste ultime durante il taglio.
- C. Staccare la macchina dal pallet togliendo i listelli di legno che bloccano le ruote.
- D. Far scendere la macchina dal pallet. Accertarsi di essere almeno in due per questa operazione per ammortizzare al meglio il contatto con il terreno.

Dopo il disimballo della macchina, verificare che non abbia subito danni durante il trasporto. Segnalare ogni anomalia.

5.2 **Posizionamento:**

Per ottenere performance eccellenti e affidabilità a lungo termine, scegliere una posizione:

Ben ventilata, al riparo dai raggi solari diretti e lontano da fonti di calore, con una superficie piana, robusta e priva di vibrazioni.

5.3 **Collegamento elettrico:**

IMPORTANTE: Messa a terra obbligatoria.

Si consiglia di proteggere l'impianto con un fusibile e un salvavita.

L'impianto elettrico che alimenta la macchina deve essere protetto secondo quanto indicato qui di seguito:

- Nord America: Protezione 15 A;
- Resto del mondo: Protezione 16 A.

Le macchine dotate di variatore, devono necessariamente essere collegate ad una scatola di derivazione su di una linea dotata di salvavita da 300 mA.

Nota: Ogni problema derivante da un altro tipo di collegamento non sarà preso in considerazione ai fini della garanzia.

Prima di collegare la macchina alla rete e onde evitare una dismissione del motore all'avvio, è importante verificare la compatibilità della rete di alimentazione con le caratteristiche della macchina (vedere la relativa targa segnaletica).

Questo apparecchio è conforme alle direttive macchine 2006/42, 2006/95, 2004/108 e reca la marcatura CE che attesta detta conformità.

Si invita a prendere visione della segnaletica di sicurezza che figura sulla macchina:



Segnale che indica un rischio di folgorazione. Scollegare il cavo di alimentazione prima di qualsiasi intervento sulla macchina. Si trova nella parte posteriore della macchina vicino al cavo di alimentazione e all'interno della macchina sul quadro elettrico (fig.8, n. 28).

Sul retro della porta del quadro elettrico si trova lo schema elettrico della macchina (fig.8, n. 29).

5.4 Messa in servizio:

Prima della messa in servizio, accertarsi che non vi siano oggetti estranei sulle parti in movimento della macchina.

Accertarsi innanzitutto (dopo aver verificato le connessioni elettriche) che il motore giri nel senso corretto. Se la lama si ferma nel canale di taglio e la macchina entra in errore, scollegare immediatamente e invertire, nella presa, i due fili di fase.

Per l'utilizzo della macchina, fare riferimento al capitolo "Utilizzo".

5.5 Pericolo:

In caso di pericolo per l'utente o per la macchina, utilizzare l'interruttore generale per interrompere l'alimentazione della macchina.

Estrarre la spina della presa elettrica prima di ogni operazione di manutenzione o di assistenza. Non toccare la lama, anche all'arresto.

Per la sostituzione della lama, rivolgersi al distributore autorizzato.

Far sempre attenzione ad indossare guanti di protezione anti-taglio (Norma EN 388: 2003 indice B=5) per la sostituzione della lama o per un'operazione vicino alla lama.

Ogni operazione di manutenzione o sostituzione delle parti deve essere effettuata da una persona qualificata.

6 ORGANO DI COMANDO E DI SICUREZZA

6.1 Organo di comando:

La macchina è dotata di serie di una tastiera meccanica (fig. 1, n. 4).

6.2 Zona di lavoro:

La zona di lavoro si trova davanti alla macchina (fig. 3 n. 20).

6.3 Organi di sicurezza:

Questa macchina è dotata:

Di un interruttore di sicurezza magnetico codificato (fig. 6 n. 21, 22).

Di una sicurezza magnetica.

Sensore magnetico

Che ferma la macchina se si apre lo sportello anteriore (fig. 1, n. 10) con una serratura (fig. 1, n. 9).



Di un interruttore di sicurezza magnetico codificato (fig. 6 n. 24).

Di una sicurezza magnetica.

Sensore magnetico

Che impedisce alla macchina di partire quando si apre il coperchio (fig. 21, n. 1).

Di una chiusura di sicurezza meccanica (fig. 6, n. 23)

Che impedisce che il coperchio (fig. 1, n. 1) si apra se la macchina è in funzione.

7 UTILIZZO

Per l'utilizzo, le rotelle provviste di freno devono essere bloccate (fig. 1, n. 7).

All'inizio della giornata, alimentare la macchina tramite l'interruttore generale (fig. 2 n. 12).

Procedura di utilizzo (fig. 4, 5).

A. Aprire il coperchio (fig. 4, n. 1).

B. Depositare il pane sul ripiano di ingresso.

C. Fare attenzione a posizionare correttamente i pani nell'angolo a destra verso la parte anteriore della macchina.

D. Chiudere il coperchio.

E. Selezionare tra i 3 spessori di taglio disponibili, lo spessore voluto premendo il pulsante corrispondente (sottile, media o spessa). Inizia il taglio del pane.

F. Quando il pulsante verde lampeggia, aprire il coperchio per estrarre dal ripiano di uscita (fig. 3 n. 15) il pane tagliato (fig. 6, n. 8) e insacchettarlo nell'insacchettatrice (fig. 1 n. 3).

8 MANUTENZIONE

8.1 Quotidiana da parte di un utilizzatore addestrato.

- A. Verificare se occorre svuotare il cassetto raccogli-briciole (fig. 1, n. 8) (NB: non dimenticare di chiudere
- B. lo sportello a chiave.).
- C. Pulire i ripiani (fig. 3, n. 15, 17) con una spazzola.
- D. Pulire il sensore ottico (fig. 3 n. 30).
- E. Pulire il vetro del coperchio (fig. 1 n. 1) mettendolo in posizione pulizia (fig. 11).
- F. Utilizzare un panno asciutto per la pulizia interna.
- G. Per la manutenzione esterna, utilizzare un panno umido.
- H. Attivare la modalità pulizia:
 - Tastierino meccanico, premere sui due tasti rosso e verde contemporaneamente.
 - Display tattile, premere sull'icona "spazzola" nell'angolo superiore destro.

8.2 Annuale da parte di un utilizzatore autorizzato.

- A. Staccare la presa della corrente (fig. 2, n. 13).
- B. Verificare lo stato delle lame da taglio. (fig. 1, n. 2).
- C. Se si nota un deterioramento della qualità del taglio occorre procedere alla sostituzione della lama da taglio (riferimento JAC: BVSLA030 del catalogo di Parti di ricambio JAC).
- D. Se è da cambiare, sostituirla nel rispetto della procedura di sostituzione della lama da taglio (fig. 7).
- E. Pulire con una spazzola e aspirare l'interno della macchina.

Verificare attentamente che il tecnico autorizzato registri l'intervento sul libretto di manutenzione al fine di mantenere la garanzia di 5 anni.

8.3 Sostituzione delle lame.

(fig. 7)

Far sempre attenzione ad indossare guanti di protezione anti-taglio (Norma EN 388: 2003 indice B= 5) e scarpe di sicurezza al momento della sostituzione della lama o di un'operazione vicino alla lama. Dopo essersi accertati che la presa della macchina (fig. 2 n. 13) sia ben scollegata dalla corrente: Aprire lo sportello (fig. 1, n. 10) con un chiavestellato (fig. 1 n. 9). Estrarre il cassetto raccogli briciole (fig.1, n. 8).

Sostituire la lama (fig. 7):

- A. Svitare le due chiavi in dotazione situate sul lato destro della macchina (fig. 7 n. 25).
- B. Togliere la protezione della lama (fig.1 n. 6) servendosi delle 6 viti ad esagono.
- C. Svitare il dado che mantiene la lama (fig. 7 n. 26) con le due chiavi fornite (fig. 7 n. 25).
- D. Estrarre la protezione e sostituire la lama avendo cura di posizionarla correttamente nelle fenditure apposite. Reinserire la protezione.
- E. Avvitare e serrare il nuovo dado in dotazione con la nuova lama per bloccarla, servendosi delle chiavi in dotazione. È importante montare il nuovo dado per garantire un serraggio ottimale.

Riposizionare il cassetto raccogli briciole e chiudere lo sportello.

Collegare la macchina alla rete elettrica, la macchina è pronta.

Verificare attentamente che il tecnico autorizzato registri l'intervento sul libretto di manutenzione al fine di mantenere la garanzia di 5 anni.

Notare che la lama è riaffilabile, contattare l'agente autorizzato per maggiori informazioni.

9 COMPONENTI DI CONSUMO

Al momento dell'ordine di parti di ricambio, verificare con il tecnico autorizzato di quale parte si tratta in base al catalogo delle parti di ricambio emesso dal fabbricante.

Precisare sempre il codice della macchina indicato sulla targa segnaletica.

Il tecnico effettua gli ordini presso JAC.

9.1 Elenco dei COMPONENTI DI CONSUMO

CODICE ARTICOLO	VERSIONE	MODELLO
BVSLT017	RUOTA DEL COPERCHIO	TUTTE
7240038	CINGHIA MOTORE	TUTTE
BVSLA030	LAMA CIRCOLARE Ø420MM	TUTTE
7240042	CINGHIA GUIDA LINEARE	TUTTE

Problema	Verifica
La macchina non si mette in moto	Collegare la macchina con un cavo (fig. 2, n. 13).
	Scollegare l'interruttore principale (fig. 2, n. 12).
	Chiudere il coperchio (fig. 1, n. 1).
	Serrare lo sportello (fig. 1, n. 10).
La macchina si mette in movimento, ma le forme di pane sono danneggiate	Sostituire la lama (fig. 7).
	Lasciar raffreddare la forma di pane per alcune ore.
	Introdurre una forma di dimensioni accettate.
	Introdurre una forma molto soda.
	Se la lama pare girare al contrario, invertire le due fasi nella presa di corrente della macchina.

ATTENZIONE: Per ogni intervento, la macchina deve obbligatoriamente essere scollegata dall'alimentazione.



Se il problema persiste, contattare il proprio tecnico.

11 CODICI DI ERRORE

Lampeggiamento o codice visualizzato a video	Descrizione del problema	Intervento
ERR 001	Griffa non rilevata (S3)	Riavviare la macchina con l'interruttore principale (fig.2 n. 12). Se il problema persiste, contattare il proprio tecnico.
ERR 002	Rotore non rilevato (S4)	
ERR 003	Carrello non rilevato (S8)	
ERR 004	Pane non rilevato (SW1)	
ERR 005	Apertura sicurezza pdt ciclo	
ERR 006	Time out andata carrello	
ERR 007	Time out ritorno carrello	
ERR 008	Bug / comunicazione assente	
ERR 009	Corrente motore pinza	
ERR 010	Termica del motore lame (F3)	
ERR 011	Anomalia freno	



Se il problema persiste, contattare il proprio tecnico

12 ELENCO DEI COMPONENTI INDICATI NELLE FIGURE

Figura	Numero	Nome
1	1	Coperchio superiore
	2	Lama
	3	Insacchettatrice
	4	Pulsanti di selezione
	5	Porta sacchetti (Opzionale)
	6	Protezione della lama
	7	Rotelle di sicurezza
	8	Cassetto raccogli briciole
	9	Serratura sportello anteriore
	10	Porta anteriore
2	11	Rotelle del coperchio
	12	Interruttore principale
	13	Cavo di raccordo
	14	Leve di mantenimento
3	15	Ripiano d'uscita
	16	Braccio di ritegno pane
	17	Ripiano di alimentazione
	18	Carter di griffa
	19	Griffa
	20	Zona di lavoro
6	30	Sensore ottico
	21	Sensore di sicurezza
	22	Calamita di sicurezza
	23	Chiusura meccanica
7	24	Sensore di sicurezza
	25	Chiavi per lo smontaggio della lama
8	26	Dado della lama
	28	Adesivo "rischio di folgorazione"
	29	Schema elettrico

90.....	1	قبل التشغيل
90.....	2	الضمان
91.....	3	تنبيهات
92.....	4	المواصفات الفنية
92.....	4.1	المواصفات الفنية
92.....	4.2	تفاصيل الخامات الملامسة بشكل مباشر للعجين.
93.....	5	التركيب والتشغيل
93.....	5.1	فك تغليف الآلة:
93.....	5.2	الموضع:
93.....	5.3	التوصيل الكهربائي:
94.....	5.4	التشغيل:
94.....	5.5	خطر:
94.....	6	جهاز التحكم والأمان
94.....	6.1	جهاز التحكم:
94.....	6.2	منطقة العمل:
94.....	6.3	أجهزة الأمان:
95.....	7	الاستخدام
95.....	8	الصيانة
95.....	8.1	يومية بواسطة مستخدم مُدرّب.
95.....	8.2	سنوية بمعرفة وكيل معتمد.
96.....	8.3	تغيير الشفرات.
96.....	9	قطع المستهلكات
96.....	9.1	قائمة بالمستهلكات
97.....	10	الأحداث العارضة أثناء التشغيل
98.....	11	رموز الخطأ
99.....	12	قائمة بالمكونات الموجودة في الأشكال

1 قبل التشغيل

نشكركم لاختياركم حلول JAC. تأكد من قراءة دليل الاستخدام هذا قبل تركيب وتشغيل هذه الآلة. يمكنك أن تحمي نفسك وتتجنب هكذا أن تتلف الآلة.

يشير هذا الدليل إلى أشكال مختلفة من أجل تسهيل فهم التعليمات. هذه الأشكال موجودة في نهاية الدليل. يُرجى الرجوع إليها ما إن ترى الرموز التالية (شكل كذا، رقم كذا).

من أجل أن تكون راضياً تماماً عن أداء هذه الآلة خلال السنوات القادمة، ندعوك إلى الاطلاع على النصائح التالية:

- استعن بوكيل معتمد من أجل التركيب والتشغيل والمتابعة.

- من أجل الاستفادة من الضمان ومدته 5 سنوات (انظر الشروط المذكورة بعد)، قم بواسطة الموزع، باستكمال دفتر الصيانة أثناء تركيب الآلة. يوجد دفتر الصيانة خلف الآلة.

2 الضمان

تقدم شركة JAC ضماناً على كل منتجاتها مدته 5 سنوات.



يسري هذا الضمان على كل قطع الآلة، بما فيها القطع الإلكترونية، دون المستهلكات. يسري الضمان من تاريخ تركيب المعدة.

بحسب الشروط المقيدة التالية:

- تم شراء المعدة من موزع معتمد؛
- تم التركيب بمعرفة وكيل معتمد؛
- استخدام المعدة وفقاً لتعليمات دليل الاستخدام وفي الغرض التي صنعتت من أجل؛
- يتم صيانة المعدة يومياً وفقاً لإرشادات دليل الاستخدام؛
- يتابع الصيانة الوكيل المعتمد وفقاً لشروط الصيانة، مع إجراء الصيانة مرة في العام، على الأقل (الصيانة على حساب المستخدم).
- الاستخدام الحصري لقطع الغيار الأصلية من JAC.



إذا لم يكن يوجد صيانة من وكيل معتمد و/أو أن دفتر الصيانة غير مكتمل بشكل صحيح، تقتصر فترة الضمان على عام واحدة.

علماً بأن الضمان لا يشمل:

- استبدال المستهلكات (فقرة 9)؛
- قطع الغيار التي لم يقر قسم الخدمة الفنية بأنها تالفة؛
- المشاكل الناجمة عن الاستخدام غير السليم للمعدة؛
- المشاكل الناجمة عن تركيب لم يتم بمعرفة وكيل معتمد؛
- قطع الغيار أو المشاكل الناجمة عن تلف أثناء النقل أو المناولة غير المناسبة.

ليس من شأن الإصلاح و/أو الاستبدال لقطع الغيار التالفة الذي يتم خلال مدة الضمان أن يمدد هذا الضمان.

من المهم جدًا حفظ دليل الاستخدام هذا مع الجهاز للاطلاع عليه في المستقبل. إذا كان سيتم بيع أو نقل هذا الجهاز إلى شخص آخر، تأكد أن يتم إعطاء دليل الاستخدام هذا بحيث يستطيع المستخدم معرفة تشغيله والتنبيهات المتعلقة به.



تم إعطاء هذه التنبيهات حرصًا على سلامتك وعلى سلامة الآخرين. برجاء قراءتها بانتباه قبل تركيب واستخدام الجهاز.
تم تصميم هذه الآلة لكي يستخدمها أشخاص بالغين مسموح لهم باستخدامها. يرجى ألا يلمسها الأطفال أو أن يستخدموها كلعبة.

هذه الآلة مخصصة للاستخدام عن طريق الخدمة الذاتية **Self-Service**.

من الخطر تعديل أو محاولة تعديل مواصفات هذه الآلة.

بعد تركيب الآلة، تأكد أنها لا تستند على كابل كهرباء.

اتبع التعليمات المعطاة من أجل الاستخدام.

يجب تخزين واستخدام هذه الآلة داخل مكان، بعيدًا عن الرطوبة والحرارة.

يجب أن يكون هناك إضاءة كافية لهذه الآلة للقيام بالعمل.

مستوى صوت هذه الآلة أقل من 75 ديسيبل وفقًا للمعيار **EN ISO 3744**.

يجب أن يستخدم هذه الآلة شخص واحد في الوقت الواحد (ما لم يوجد تعليمات مخالفة).

هذه الآلة مخصصة لتقطيع الخبز الناضج والمعتدل الحرارة.

هذه الآلة غير مخصصة لأنواع الخبز والخامات التالية:

- الخبز الساخن، الخبز البانت
- الخبز المجمد، أو تم إزالة تجميده جزئيًا
- الخبز الكامل بقشرة صلبة وأنواع أخرى من الخبز ذو القشرة الصلبة
- خبز الجاودار
- منتجات غير غذائية مثل الخشب والبلاستيك والخامات الشبيهة
- أي طعام لا ينتمي لفئة الخبز أو الكعك

يمكن أن تتلف الآلة أثناء قطع الخبز أو الخامات غير المصرح بها.



أفضل دائمًا التيار الكهربائي قبل القيام بالتنظيف الداخلي/الخارجي للجهاز وقبل عمليات الصيانة.



هذا الجهاز ثقيل الوزن. اتخذ كل احتياطات الأمان أثناء منولته.

4 المواصفات الفنية

4.1 المواصفات الفنية

VSL9	VSL7	
1091	1091	الارتفاع (مم)
985	795	العرض (مم)
826	826	العمق (مم)
430	360	عرض قناة الإدخال (مم)
28.5	28.5	عرض قناة الإدخال (مم)
(20) 16	(20) 16	ارتفاع قناة الإدخال (مم)
800 × 1200 × 1250	800 × 1200 × 1250	الحجم (مم)
230	220	الوزن الصافي (كجم)
260	250	الوزن الصافي + عبوة التنظيف (كجم)
1.1	1.1	قوة الموتور (كيلو واط)
ثلاثي الأطوار (3 فازة)	ثلاثي الأطوار (3 فازة)	نوع الموتور
5	5	220 فولت - 50 هرتز (A)
3.2	3.2	380 فولت - 50 هرتز (A)
120	120	السعة (الفة/دقيقة)
420	420	قطر الشفرة (مم)
75 >	75 >	المستوى الصوتي (ديسيبل)

اختياري	هيكل من الفولاذ المقاوم للصدأ
اختياري	حامل الأكياس
اختياري	بطاقة توضيحية
اختياري	لون خاص

4.2 تفاصيل الخامات الملامسة بشكل مباشر للعجين.

منضدة إدخال: فولاذ مقاوم للصدأ 430

حوض مغلي: فولاذ مقاوم للصدأ 430

مخلب: فولاذ مقاوم للصدأ 430

شفرة: التافلون

منضدة إخراج: INOX 5WL 430

ذراع حجز الخبز فولاذ مقاوم للصدأ 430

جهاز التكييس: فولاذ مقاوم للصدأ 430

5.1 فك تغليف الآلة:

تُبَاع الآلات، عند خروجها من ورشنا، على ألواح، ومربوطة بأشرطة ومحمية بورق الكرتون. قبل القيام بأي شيء، يجب فحص العبوة وإبلاغ شركة التوصيل مباشرة بأي تلف ناتج عن النقل.

- اسحب الكرتونة وكذلك كيس تغليف الآلة.
- انزع الأشرطة مع الانتباه بشكل خاص ارتخاء هذه الأخيرة أثناء قطعها.
- أفضل الجهاز من على الألواح بأن تنزع الشرائح الخشبية التي تعرقل حركة العجلات.
- أنزل الآلة من على اللوح. أحرص على أن يقوم شخصان على الأقل بهذا الأمر من أجل تخفيف التلامس مع الأرض بشكل أفضل بعد إخراج الآلة من الكرتون، تحقق أنها لم تتعرض للتلف أثناء النقل. وأبلغنا بأي عطب.

5.2 الموضوع:

للحصول على أداء ممتاز وفعالية على المدى الطويل، اختر موضع:

جيد التهوية، بعيداً عن أشعة الشمس المباشرة وبعيداً عن مصادر الحرارة مع سطح مستو وقوي وخالي من الاهتزازات.

5.3 التوصيل الكهربى:

هام: توصيل الطرف الأرضي الزامي.
يُنصَح بحماية التمديدات الكهربائية بمنصهر وقاطع تيار تفاضلي.

يجب حماية التمديدات الكهربائية التي تُغذي الآلة كما هو مُبين أدناه:

- أمريكا الشمالية: حماية 15 أمبير؛
بقية دول العالم: حماية 16 أمبير.
بالنسبة للآلات المجهزة بـمُغَيِّر كهربائي، فيجب توصيله على غلبة التفريغ على خط مجهز بقاطع تيار تفاضلي 300 ملي أمبير.

ملحوظة: أي مشكلة ناجمة عن التوصيل بشكل آخر لن يشملها الضمان.

قبل توصيل الآلة على شبكة الكهرباء ومن أجل تجنب وقف تشغيل الموتور عند توصيله بالكهرباء، من المهم التحقق من توافق شبكة الكهرباء مع مواصفات الآلة (انظر لوحة البيانات لهذه الآلة).

يتوافق هذا الجهاز مع التعليمات الخاصة بالآلات 42/2006 و 95/2006 و 108/2004 ويحمل علامة CE التي تشهد بذلك.

يرجى الاطلاع على الصور التوضيحية المتعلقة بالأمان الموجودة على الآلة:

صورة توضيحية تُشير إلى خطر الصعق بالكهرباء. يُرجى فصل الكهرباء عن الآلة قبل أي إصلاح لها. سوف تجدها خلف الآلة بالقرب من كابل التغذية وداخل الآلة على الصندوق الكهربى. (fig. 8, 28)

سوف تجد الرسم التخطيطي الكهربى للآلة على ظهر باب الصندوق الكهربى. (fig. 8, 29)



5.4 التشغيل:

قبل التشغيل، تأكد من عدم وجود أي شيء دخيل على الأجزاء المتحركة للألة.

تأكد أولاً (بعد التحقق من التوافق الكهربائي) أن الموتور يدور في الاتجاه الصحيح. إذا توقف الشفرة في مجرى القطع وحصل خطأ في الألة، افصل الكهرباء على الفور وقم بقلب سلكين للفازة في المقبس. لاستخدام الألة، راجع فصل "الاستخدام".

5.5 خطر:

في حالة وجود خطر على المستخدم أو على الألة، يجب عليك أن تستخدم مفتاح القطع العمومي لفصل التيار الكهربائي عن الألة.

اسحب القابس من المقبس الكهربائي قبل القيام بأية عملية صيانة وفحص؛ لا تلمس الشفرة، حتى أثناء التوقف.

عند تغيير الشفرة، اطلب من الموزع المعتمد أن يقوم هو بالعملية.

احرص دائماً على ارتداء قفازات حماية من الجروح (معيان EN 388: 2003 مؤشر B=5) أثناء استبدال الشفرة أو أثناء عملية قريبة من الشفرة.

أي عملية صيانة أو استبدال قطعة غيار يجب أن تتم بواسطة شخص مؤهل.

6 جهاز التحكم والأمان

6.1 جهاز التحكم:

القطاعة مجهزة بلوحة مفاتيح ميكانيكية (fig.1, n°4)

6.2 منطقة العمل:

توجد منطقة العمل أمام الألة (fig.3 n°20)

6.3 أجهزة الأمان:

هذه الألة مجهزة بـ:

مفتاح أمان ميكانيكي مغناطيسي مُشفر (fig.6 n°21,22)

مغناطيس أمان

حساس مغناطيسي

والذي يوقف الألة عندما نفتح الباب الأمامي (fig.1 n°10) باستخدام القفل (fig.1 n°9).

مفتاح أمان مغناطيسي مشفر لقطع التيار (fig. 6 n°24)

مغناطيس أمان

حساس مغناطيسي

والذي يمنع الألة من العمل عندما نفتح الغطاء (fig.1 n°1).

قفل أمان ميكانيكي (fig. 6 n°23)

والذي يمنع الغطاء (fig.1 n°1) من الفتح عندما تعمل الألة

من أجل الاستعمال، يجب قفل العجلات الصغيرة المزودة بفرملة (n°7 fig.1).

في بداية اليوم، وصل الآلة بالكهرباء باستخدام مفتاح القطع العمومي (n°12 fig.2)

خطوات الاستخدام (fig.4,5)

أ. افتح الغطاء (n°1 fig.4)

ب. ضع الخبز على منضدة الإدخال

ج. انتبه كي تضع الخبز جيدا في الركن الأيمن نحو مقدمة الآلة

د. أغلق الغطاء

هـ. اختر السمك المطلوب من بين مقاسات السمك الثلاثة المتاحة للشرايح، وذلك بالضغط على الزر المقابل للسمك المطلوب (رقيق أو متوسط أو سميك). فيبدأ تقطيع الخبز للشرايح.

و. عندما يومض الزر الأخضر، افتح الغطاء لكي تخرج من منضدة الإخراج (n°15 fig.3) الخبز المقطع (n°8 fig.6) وتعبئة في أكياس على جهاز التكييس (n°3 fig.1).

8 الصيانة

8.1 يومية بواسطة مستخدم مُدرّب.

- تأكد إذا كان يجب تفريغ وعاء الفتات (n°8 fig.1) (ملحوظة: لا تنس قفل الباب بالمفتاح).
- قم بتنظيف المناضد (n°15, 17 fig.3) باستخدام فرشاة
- قم بتنظيف الحساس الضوئي (n°30 fig.3)
- قم بتنظيف زجاج الغطاء (n°1 fig.1) بأن تضعه في وضع التنظيف (n°11 fig.11)
- استخدم قطعة قماش جافة للتنظيف من الداخل
- بالنسبة للعناية الخارجية، استخدم قطعة قماش رطبة
- تشغيل وضع التنظيف:
- لوحة المفاتيح الميكانيكية، اضغط على الزرين الأحمر والأخضر في نفس الوقت
- الشاشة التي تعمل باللمس، اضغط على الرمز "brosse" (فرشاة) في الركن العلوي الأيمن

8.2 سنوية بمعرفة وكيل معتمد.

- اسحب القابس من مقيس الكهرباء (n°13 fig.2)
- تحقق من حالة شفرة القطع (n°2 fig.1).
- إذا لاحظت انخفاض جودة القطع، يجب القيام باستبدال شفرة القطع (الرقم المسلسل لدى شركة BVSLA030: JAC من كتالوج قطع الغيار (JAC))
- إذا كان لابد من تغييرها، استبدل الشفرة وفقاً لإجراء تغيير شفرة القطع (n°7 fig.7)
- قم بالتنظيف باستخدام فرشاة واشطف داخل الآلة.

تأكد من أن الوكيل المعتمد يقوم بتسجيل زيارته في دفتر الصيانة من أجل الحفاظ على ضمان الـ 5 سنوات.

8.3 تغيير الشفرات.

(fig.7)

احرص دائما على ارتداء قفازات حماية من الجروح (معيار EN 388: 2003 مؤشر B=5) وأحذية أمان أثناء استبدال الشفرة أو أثناء عملية قريبة من الشفرة.
بعد التأكد أن قاييس الآلة (fig.2 n°13) مفصولة جيداً عن التيار الكهربائي
افتح الباب (fig1 n°10) باستخدام القفل (fig.1 n°9).
اسحب وعاء البقايا (fig.1, n°8).

استبدال الشفرة (fig.7):

أ. قم بفك المفتاحين الموجودين على الجانب الأيسر للآلة (fig.7 n°25)
ب. اسحب واقي الشفرة (fig.1 n°6) مفتاح سداسي مجوف
ج. قم بفك الصامولة التي تثبت الشفرة (fig.7 n°26) باستخدام المفتاحين (fig.7 n°25)
د. اسحب السندة واستبدل الشفرة مع الحرص على وضعها جيداً في دبابيس الاستقطاب. أعد وضع السندة.
هـ. اربط وشد الصامولة الجديدة المباعرة مع الشفرة الجديدة من أجل تثبيت الشفرة، باستخدام المفاتيح المباعرة مع الآلة. من المهم وضع الصامولة الجديدة من أجل ضمان أفضل شد.

أعد وضع وعاء الفتات وأغلق الباب.
قم بتوصيل الآلة بالتيار الكهربائي، فتكون الآلة جاهزة.
تأكد من أن الوكيل المعتمد يقوم بتسجيل زيارته في دفتر الصيانة من أجل الحفاظ على ضمان الـ 5 سنوات.
يرجاء ملاحظة أن الشفرة قابلة للشحن، اتصل بالوكيل المعتمد من أجل مزيد من المعلومات.

9 قطع المستهلكات

أثناء طلب قطعة غيار، تأكد مع الوكيل المعتمد بشأن القطعة المطلوبة على أساس كتالوج قطع الغيار الذي أصدره الصانع.
حدد دائماً رقم الآلة كما هو مبين على لوحة البيانات.
ويقوم الوكيل بعمل الطلبات لدى شركة JAC.

9.1 قائمة بالمستهلكات

رمز الصنف	التوصيف الجدي	النموذج
BVSLT017	COVER ROLLER	ALL
7240038	MOTOR BELT	ALL
BVSLA030	CIRCULAR BLADE, Ø 420 MM	ALL
7240042	LINEAR GUIDE BELT	ALL

التحقق	المشكلة
قم بتوصيل الآلة باستخدام الكابل (fig.2 n°13)	الآلة لا تعمل
شغل مفتاح قطع التيار الرئيسي (fig.2, n°12)	
اغلق الغطاء (fig.1, n°1).	
اغلق قفل الباب (fig.1, n°10)	
استبدال الشفرة (fig.7)	الآلة تعمل لكن أرغفة الخبز تالفة
اترك الخبز يبرد لعدة ساعات	
ضع الخبز بالمقاسات المقبولة	
ضع خبز إلى حد ما ناشف	
إذا بدا أن الشفرة تدور في الاتجاه الخطأ، يرجى قلب 2 فازه في مقبس التيار الخاص بالآلة	

انتبه: قبل القيام بأية إصلاحات، يجب فصل التيار عن الآلة.

إذا استمرت المشكلة بعد ذلك، يرجى الاتصال بالفني.



التصرف	وصف المشكلة	وميض أو الرمز المعروض على الشاشة
برجاء إعادة تشغيل الآلة باستخدام زر قطع التيار الرئيسي (fig.2 n°12). إذا استمرت المشكلة بعد ذلك، يرجى الاتصال بالفني.	لم يتم اكتشاف المخلب (S3)	ERR 001
	لم يتم اكتشاف العضو الدوار روتور (S4)	ERR 002
	لم يتم اكتشاف العربة (S8)	ERR 003
	لم يتم اكتشاف الخبز (SW1)	ERR 004
	فتح الأمان أثناء الدورة	ERR 005
	انتهى الوقت لذهاب العربة	ERR 006
	انتهى الوقت لعودة العربة	ERR 007
	خطأ / لا يوجد اتصال	ERR 008
	زردية تيار الموتور	ERR 009
	شفرة الحساس الحراري للموتور (F3)	ERR 010
	عطل في الفرملة	ERR 011

إذا استمرت المشكلة بعد ذلك، يرجى الاتصال بالفني.



12 قائمة بالمكونات الموجودة في الأشكال

الاسم	الرقم	شكل
الغطاء العلوي	1	1
شفرة	2	
جهاز التكبيس	3	
أزرار الاختيار	4	
حامل الأكياس (اختياري)	5	
واقى الشفرة	6	
عجلات أمان صغيرة	7	
وعاء فتات	8	
قفل الباب الأمامي	9	
باب أمامي	10	
عجلات الغطاء الصغيرة	11	
مفتاح قطع رئيسي	12	
كابل التوصيل	13	
مقايض المناولة	14	
منضدة إخراج	15	3
ذراع حجز الخبز	16	
منضدة إدخال	17	
حوض مخلبي	18	
مخلب	19	
منطقة عمل	20	
حساس ضوئي	30	6
حساس أمان	21	
مغناطيس أمان	22	
قفل ميكانيكي	23	
حساس أمان	24	7
مفاتيح لفك الشفرة	25	
صامولة الشفرة	26	8
ملصق لخطر الصعق بالكهرباء	28	
رسم تخطيطي كهربى	29	

fig.1

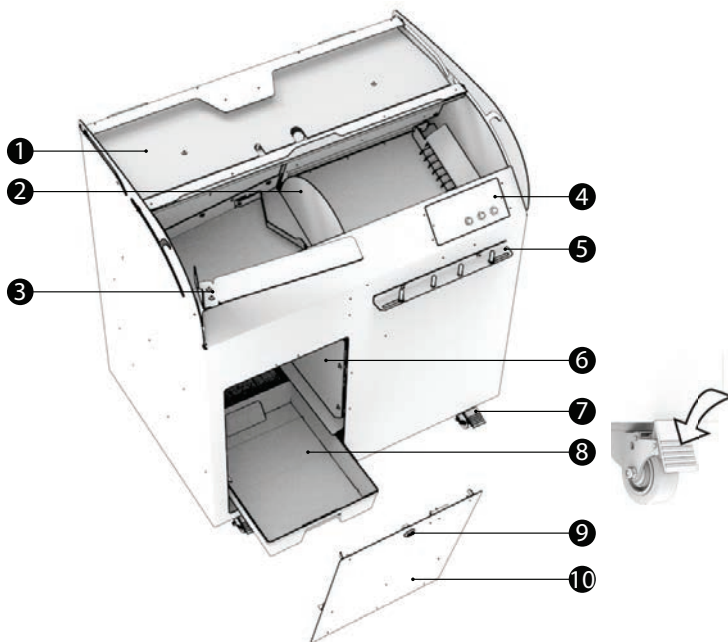


fig.2

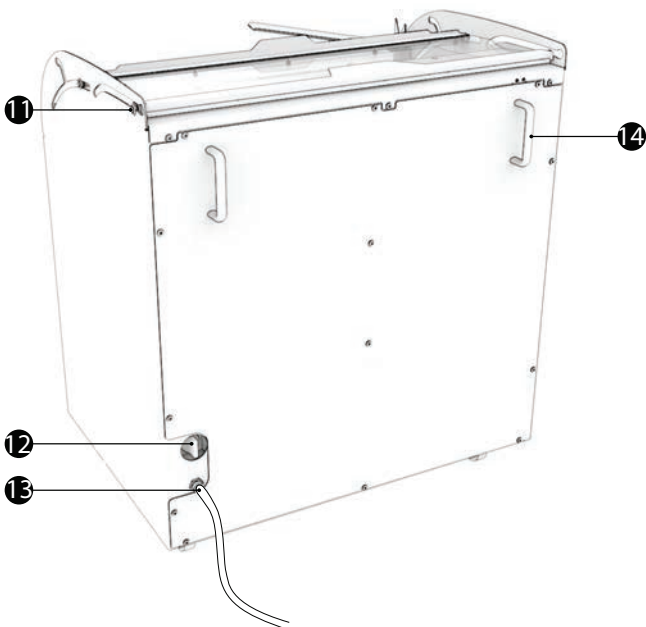


fig.3

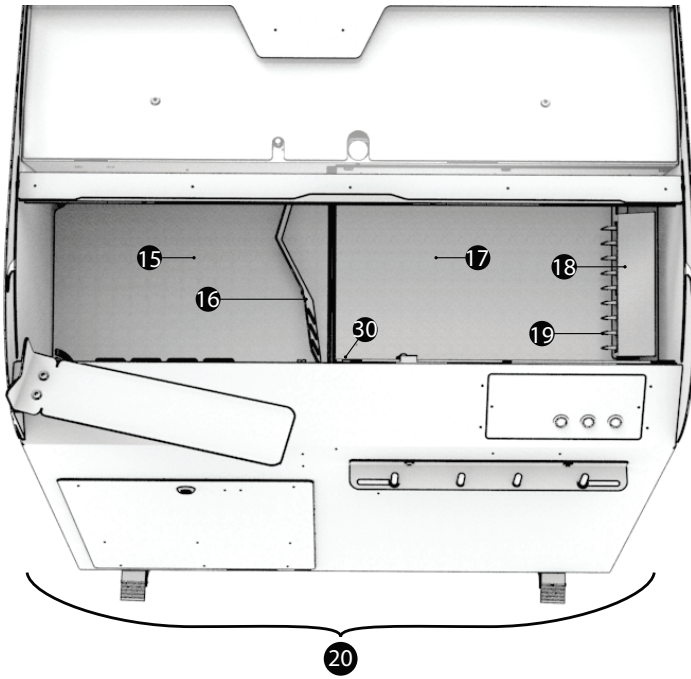


fig.4

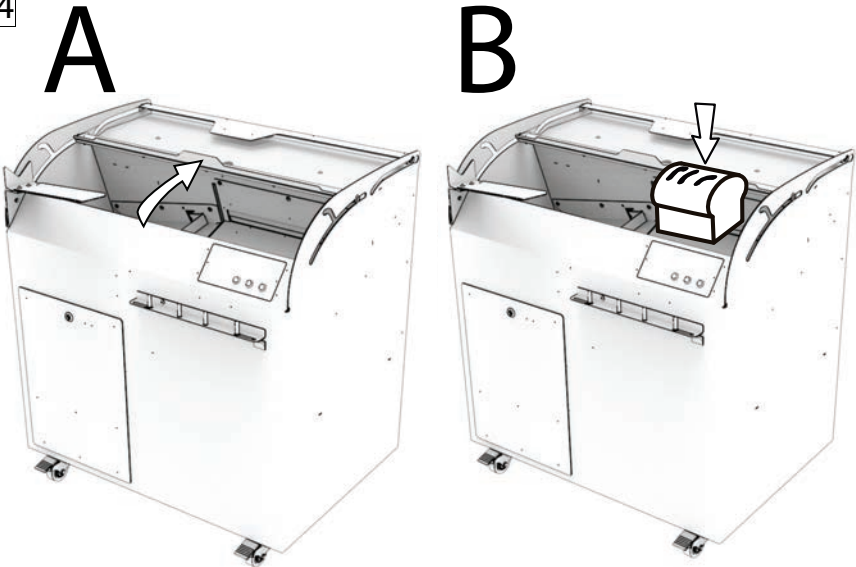
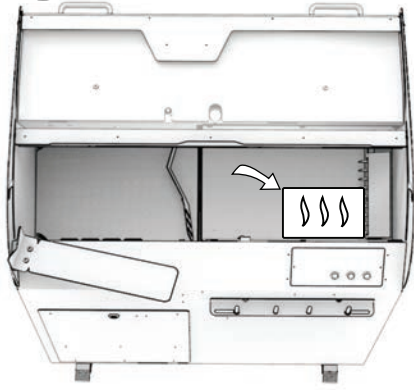


fig.5

C



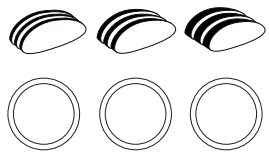
D



E



3



F

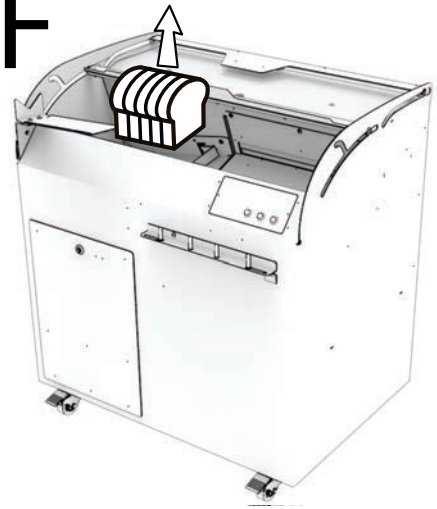


fig.6

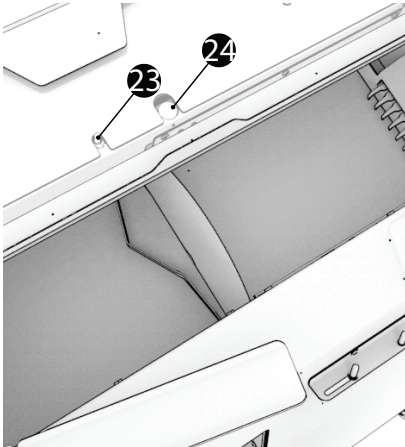
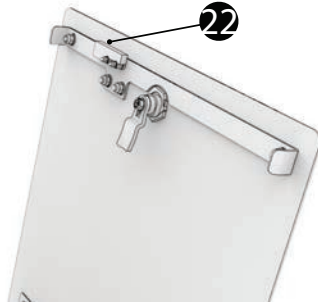
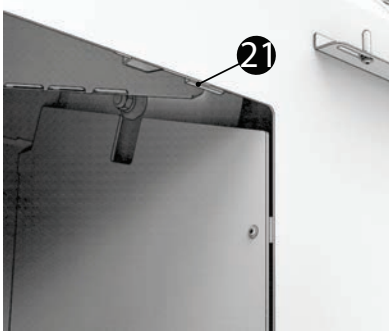


fig.7

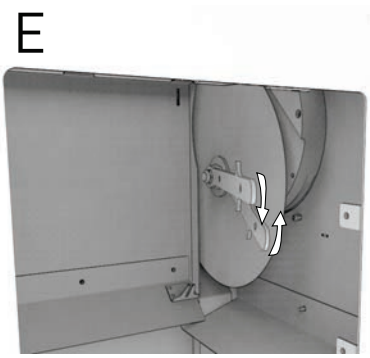
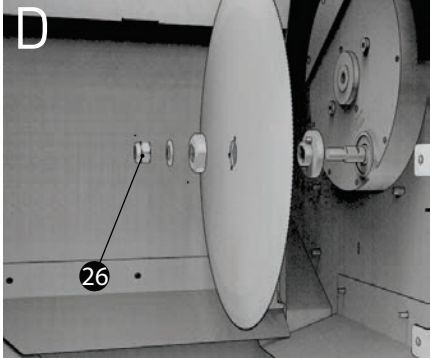
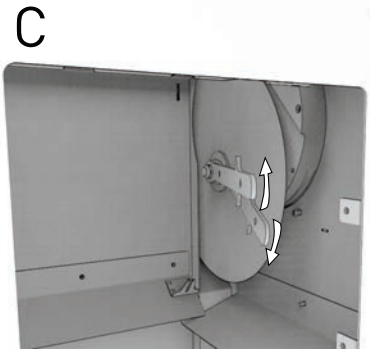
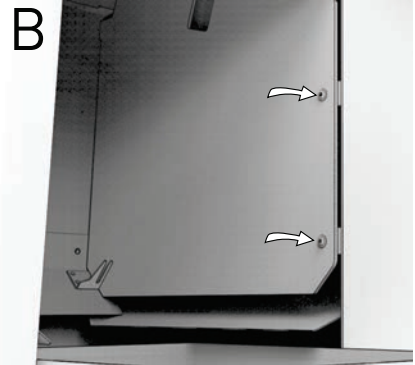
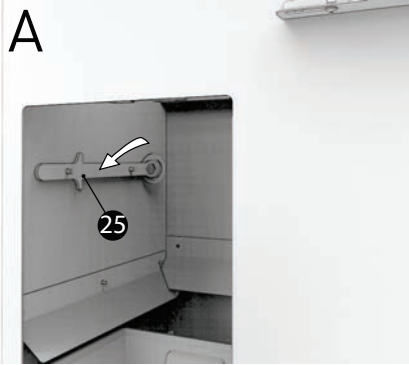


fig.8

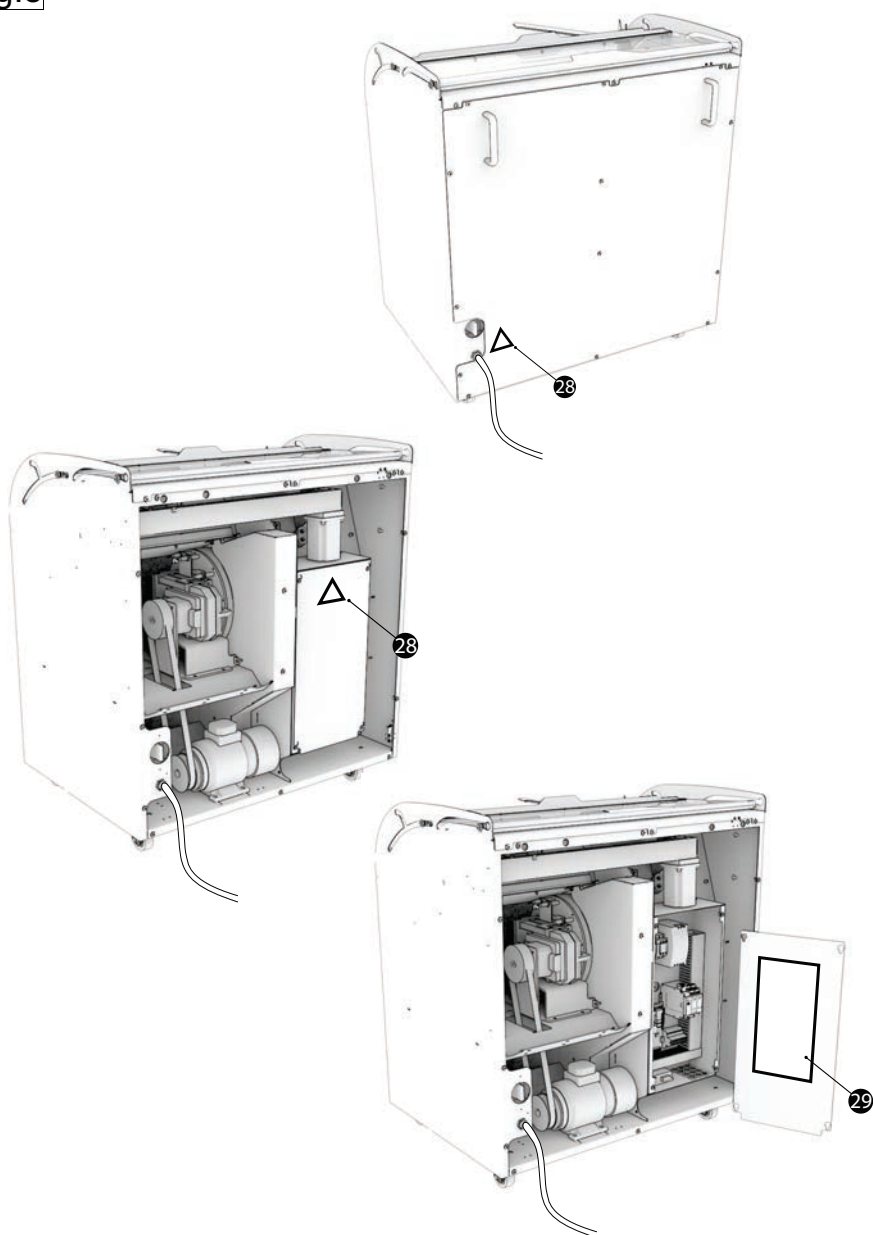
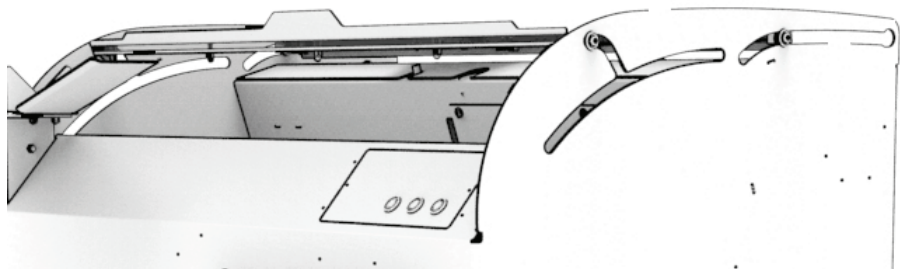


fig.9





Traditionally Innovative

CONFORMITY DECLARATION TO THE EUROPEAN DIRECTIVES.
DECLARATION DE CONFORMITE AUX DIRECTIVES EUROPEENNES.
KONFORMITÄTSEKTLÄRUNG AN DEN EUROPÄISCHEN RICHTLINIEN.
VERKLARING VAN OVEREENSTEMMING MET DE EUROPESE RICHTLIJNEN.
DICHIARAZIONE DI CONFORMITÀ ALLE DIRETTIVE EUROPEE.
DECLARACION DE CONFORMIDAD CON LAS DIRECTIVAS EUROPEAS.
ДЕКЛАРАЦИЯ СООТВЕТСТВИЯ ЕВРОПЕЙСКИМ ДИРЕКТИВАМ.
شهادة المطابقة مع التعليمات الأوروبية.



- EN** The undersigned declares that the machine complies with the European Directives 2006/42/CE, 2014/35/UE, 2014/30/UE.
- FR** Le soussigné déclare que cette machine est conforme aux directives européennes 2006/42/CE, 2014/35/UE, 2014/30/UE.
- DE** Unterzeichneter erklärt, daß diese Maschine den Europäischen Richtlinien 2006/42/CE, 2014/35/UE, 2014/30/UE entspricht.
- NL** Ik ondertekende verklaart dat deze machine in overeenstemming met de Europese richtlijnen 2006/42/CE, 2014/35/UE, 2014/30/UE.
- IT** Il sottoscritto dichiara questa macchina conforme alle ultime versioni delle seguenti direttive europee: 2006/42/CE, 2014/35/UE, 2014/30/UE.
- ES** El infrascrito declara que esta máquina es conforme con las directivas europeas 2006/42/CE, 2014/35/UE, 2014/30/UE.
- RU** Нижеподписавшееся лицо заявляет, что данное устройство соответствует европейским директивам 2006/42/CE, 2014/35/UE, 2014/30/UE.
- AR** मैं नीचे दस्तावेज़ पर हस्ताक्षर करता हूँ कि यह मशीन CE/2006/42 और UE/2014/35 और UE/2014/30 के साथ مطابقت में है।

Last update: 05/2018
Technical files compiled by:
Pierre-Yves Dorslont
JAC S.A.
Chemin d'Éole, 2
B-4000 Sclessin
BELGIUM

Complies with the following (parts of)
European Harmonised Standards:
EN 1672-2
1935/2004
IEC 60204-1
EN ISO 12100-1
EN ISO 12100-2 §5, §6
EN 13954 if applicable
EN 61000-3-2, -3, -6-1, -6-3

Adrien Craeninx
Chief Executive Officer
JAC s.a.