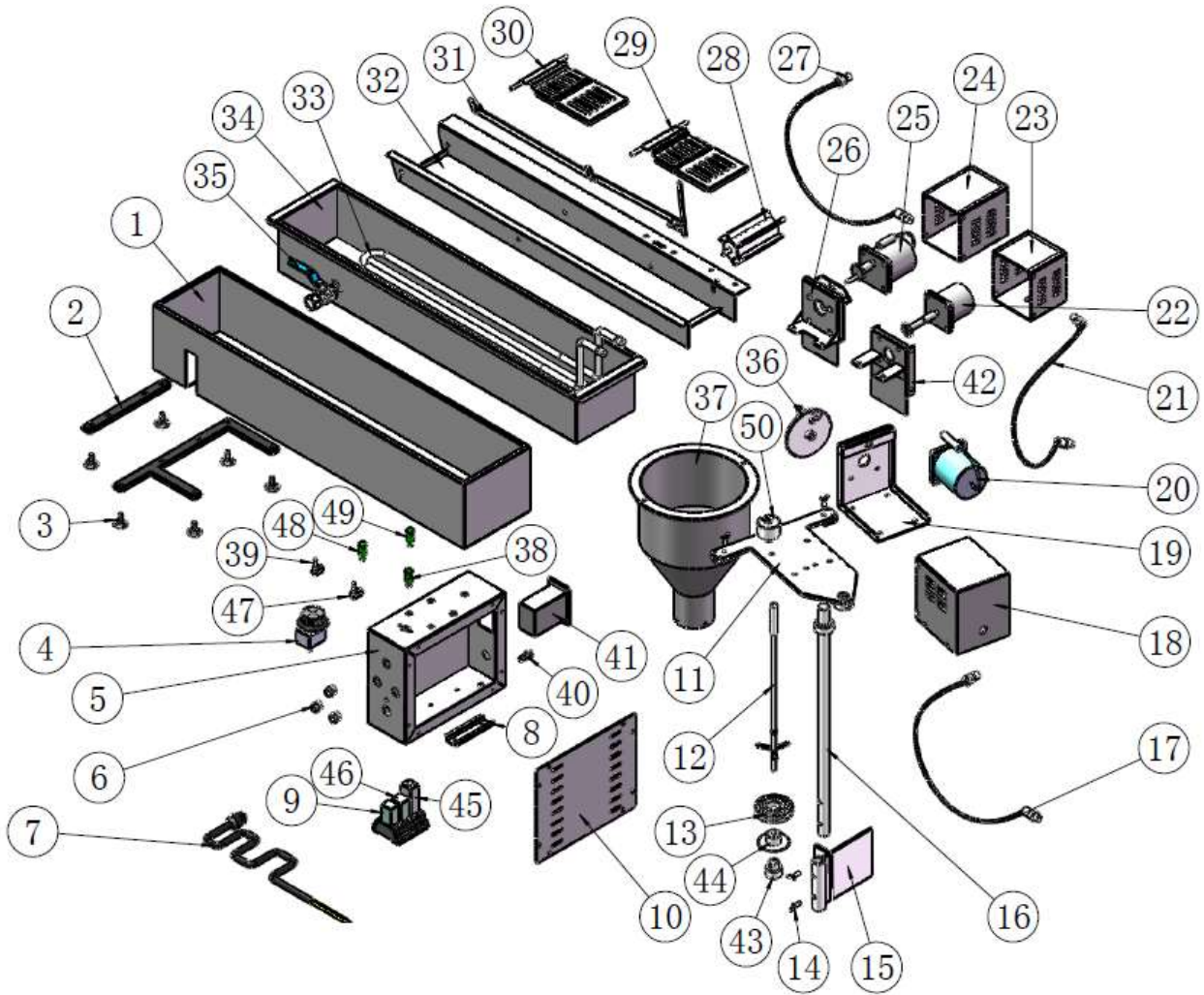


АППАРАТ ДЛЯ ПРОИЗВОДСТВА ПОНЧИКОВ HURAKAN HKN-ADM01



**АППАРАТ ДЛЯ ПРОИЗВОДСТВА ПОНЧИКОВ HURAKAN HKN-ADM01**

Поз	Наименование детали	Кол
1	Oil basin base	1
2	Machine foot mounting plate	2
3	Machine foot	6
4	Temperature control	1
5	Electrical control box	1
6	Wire connector male end	3
7	power cable	1
8	Relay mounting plate	1
9	Flip motor relay	1
10	Electric control box sealing plate	1
11	Feeding container fixing plate assembly	1
12	Push rod assembly	1
13	Mold	1
14	Set screw	4
15	Support rod mounting assembly	1
16	Support rod	1
17	Feeding motor cable	1
18	Feed motor cover	1
19	Feeding motor mounting plate	1
20	Feeding motor	1
21	Impeller motor cable	1
22	Impeller motor	1
23	Impeller motor cover	1
24	Flip the motor cover	1
25	Flip motor	1
26	Flip motor mounting plate	1
27	Flip motor cable	1
28	impeller	1
29	Flap assembly 1	1
30	Flap assembly 2	1
31	Transmission components	1
32	Oil basin inner panel	1
33	Heater	1
34	Oil basin	1
35	Drain valve	1
36	Roulette drive assembly	1
37	Feeding container	1
38	Feeding indicator	3
39	switch	2
40	Fuse	1
41	Timer	1
42	Impeller motor mounting plate	1
43	Pusher	1
44	Feed cover	1
45	Timer relay	1
46	Feeding motor relay	1
47	Feeding motor control switch	1
48	Power Indicator	1
49	Heating indicator	1
50	Push rod bushing	1