

CARIMALI

1919

USER'S MANUAL
Translation of original instructions



Armonia Ultra

CONTENTS

| | | | |
|---|-----------|--|-----------|
| 1 GENERAL SAFETY WARNINGS..... | 5 | 7 HANDLING AND STORAGE..... | 29 |
| 2 IDENTIFICATION | 9 | 8 INSTALLATION AND STARTUP..... | 31 |
| 3 INTRODUCTION | 10 | 8.1 PACKAGING CONTENTS..... | 31 |
| 3.1 SYMBOLS | 10 | 8.2 PRIOR CHECKING | |
| 3.2 USER TYPES | 10 | AFTER RECEIPT | 32 |
| 3.3 INTENDED USE | 11 | 8.3 POSITIONING | 32 |
| 3.3.1 Reasonably | | 8.4. INSTALLATION..... | 33 |
| foreseeable misuse | 11 | 8.4.1 Power mains connection | 33 |
| | | 8.4.2 Water mains connection | 33 |
| | | 8.4.3 Milk circuit connection | 34 |
| | | 8.4.4 Boiler filling | 35 |
| 4 DESCRIPTION OF THE MACHINE | 12 | 9 INSTRUCTIONS FOR USE | 36 |
| 4.1 MACHINE CONFIGURATIONS ... | 12 | 9.1 GETTING STARTED | 36 |
| 4.2 GENERAL DESCRIPTION | | 9.1.1 Product filling | 36 |
| OF THE MACHINE | 14 | 9.2 SWITCHING ON | 37 |
| 4.2.1 Coffee / Instant | | 9.2.1 Dispensing circuit washing .. | 38 |
| products containers | 15 | 9.3 DRINK DISPENSING | 38 |
| 4.3 TOUCH SCREEN DISPLAY | 16 | 9.4 SWITCHING OFF | 41 |
| 4.3.1 Using the display | 16 | | |
| 4.3.2 Switching on | 17 | 10 ROUTINE MAINTENANCE | 42 |
| 4.3.3 Boiler heating..... | 18 | 10.1 EXTERNAL CLEANING..... | 44 |
| 4.3.4 Introduction..... | 18 | 10.1.1 Cleaning the display | 44 |
| 4.3.5 Drink selection | | 10.1.2 Cleaning of | |
| (free vend examples)..... | 19 | chrome-plated surfaces | 44 |
| 4.3.6 Drink delivery | | 10.1.3 Cleaning of | |
| in progress | 19 | machine surfaces | 44 |
| 4.3.7 Dose settings..... | 20 | 10.1.4 Cleaning the solid/liquid | |
| 4.3.8 Alarm signals | 21 | grounds container | 45 |
| 4.3.9 Alarm history..... | 21 | 10.1.5 Instant product / | |
| 4.3.10 Display adjustment | 22 | coffee container cleaning..... | 45 |
| 4.4 TOUCH SCREEN | | 10.2 CLEANING OF | |
| DISPLAY VARIATION | 23 | FUNCTIONAL UNITS | 46 |
| 4.4.1 Cup station | 23 | 10.2.1 Power Cleaner washing..... | 46 |
| 4.4.2 Energy save..... | 24 | 10.2.2 All in One wash..... | 48 |
| 4.4.3 Manual delivery stop..... | 25 | 10.2.3 Coffee group wash..... | 53 |
| 4.4.4 MDB payment system | 26 | 10.2.4 Mixer wash | 55 |
| | | 10.2.5 Disassembly and manual | |
| | | cleaning of the mixer | 56 |
| | | 10.2.6 Milker wash (optional)..... | 58 |
| | | 10.2.7 Manual cleaning of the | |
| | | milk circuit (optional)..... | 61 |
| | | 10.2.8 Cleaning the display | 63 |
| | | 10.2.9 Recommended washes | 64 |
| 5 TECHNICAL CHARACTERISTICS..... | 27 | | |
| 5.1 TECHNICAL DATA..... | 27 | | |
| 5.2 OVERALL DIMENSIONS..... | 28 | | |
| 6 RESIDUAL RISKS..... | 28 | | |

| | |
|---|-----------|
| 11 TROUBLESHOOTING | 65 |
| 11.1 HOW TO DETECT AN ERROR ... | 66 |
| 11.2 OPERATING ALARMS | 67 |
| | |
| 12 DECOMMISSIONING AND DISPOSAL..... | 68 |

1 GENERAL SAFETY WARNINGS

This manual is an integral part of the machine.

Before proceeding with installation, use and maintenance of the machine, the operator must read and fully understand the contents of this manual.

The machine is intended for professional use. Always strictly follow the instructions contained in this manual and keep it in a safe, dry place for future reference.

The machine is intended only for the purpose set forth in this manual. Any other use is considered as improper. The manufacturer refuses to accept any liability for damage to things and/or persons arising from an improper use of the machine.

The weighted, equivalent sound pressure level is below 70 dB.

After unpacking the machine, verify its integrity. In case of damage or doubts about the packaging contents, please contact the CARIMALI Service Centre.

Handle the machine with care to prevent the risk of impacts or falls that may cause damage.

In case of damage suffered in the premises due to accident, negligence, etc., the reset must be carried out by qualified persons or staff from the CARIMALI Service Centre.

WARNING



In order to ensure the safety of the operator and the machine, it is strictly forbidden to use the machine in a different manner from that indicated in this manual.

WARNING



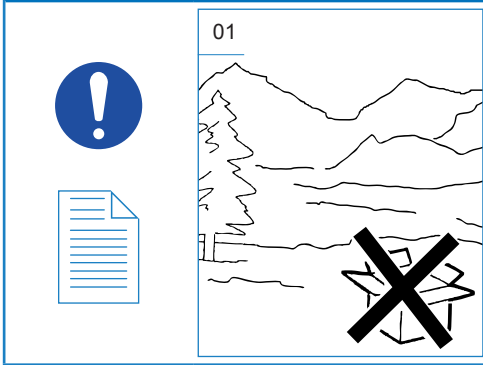
The manufacturer refuses to accept any liability for damage to things and/or persons arising from improper use of the machine and/or incorrect maintenance.

WARNING



If residues of inedible material are found inside beverages during machine use, it is necessary to carry out maintenance.

Keep packaging parts (box, inner protections, etc.) out of reach of children since they are potentially dangerous. Do not dump those parts into the environment, but dispose them according to applicable regulations.

NOTE

This symbol on the product or on the packaging indicates that the product shall not be treated as household waste, as it shall be delivered to an authorised waste collection point for recycling of electric and electronic devices.



For more detailed information about recycling of this product, contact the local authority, the local waste disposal service.

Do not position the machine in close proximity of water jets or heat sources. Avoid direct contact with water or other liquids also during cleaning.

Do not expose the machine to weather conditions (sun, rain, etc.).

Before plugging in the machine, make sure the power switch is set to “0”. For electric safety of the machine, it is necessary to provide a grounding system complete with a residual current circuit breaker (max IDN = 30mA).

Before connecting the device, make sure the data on the plate correspond to the power mains.

WARNING

The Manufacturer declines any liability for failure to comply with the above or for damages caused by the failure to properly ground.

Unroll the power cord for its entire length to prevent the risk of dangerous overheating.

The electric system must be equipped

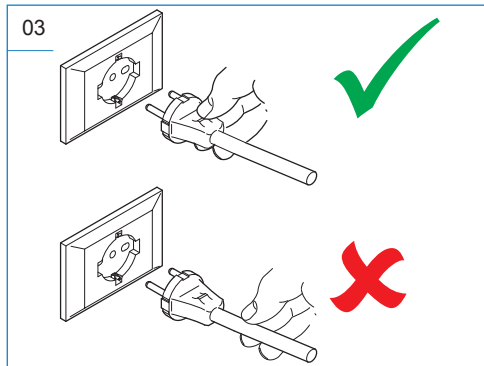
with an omnipolar switch, in compliance with the applicable safety regulations, with contact opening gap and allowing the complete disconnection in the conditions of the overvoltage category III.

Unplug the machine for any intervention of routine maintenance or checking.

WARNING



Do not pull the power cord to unplug the machine from the electric socket.



The machine can be used by children aged from 8 years and above and persons with reduced physical, sensory or mental capabilities or lack of experience and knowledge if they have been given supervision or instruction concerning use of the appliance in a safe way and understand the hazards involved. Children shall not play with the machine.

Never touch the hot parts of the machine.

Never touch the machine when hands or other body parts are wet.

Never immerse the machine in water.

The machine delivers high-temperature drinks. Beware of scalding that can be caused by accidental contact with the steam wand or filter holder while using the machine.

WARNING



In case of prolonged storage at temperatures below 2°C, the water circuit in the machine must be drained. Do not switch the machine on before having reconditioned it for at least 1 hour at a suitable room temperature. If it is installed in areas with room temperature above 30 °C, malfunctioning may occur.

In case of fault or malfunctioning of the machine, switch it off and unplug.

In case of power cord damage, have it replaced by the Manufacturer, his authorized technical Service Centre or skilled personnel to prevent any risk.

For repairing, contact only a Service Centre authorised by the Manufacturer and require the use of original spare parts and accessories. Failure to comply with the above regulations could jeopardise machine safety.

For any communication regarding failures or malfunctioning, contact the nearest Service Centre, indicating the model, the type and the serial number of the machine. The data are shown on the apposite data plate.

In case the machine is not used any longer, render it inoperative.

Once the machine is no longer in use or idle for any length of time, it is necessary to drain the boiler tanks. Contact a qualified service engineer or the CARIMALI Service Centre.

WARNING



If the machine is idle for any period, carry out the necessary maintenance operations to allow it to return to work in optimum condition.

NOTE



When required and in case of operations not described in this manual, contact the nearest Service Centre or the Manufacturer.

The Manufacturer reserves the right to carry out technical and aesthetic modifications to the machine and/or this manual for manufacturing or sales reasons without obligation to update the previous versions.

2 IDENTIFICATION

Owing to the above, some pictures contained in this manual may slightly differ from the actual product.

WARNING



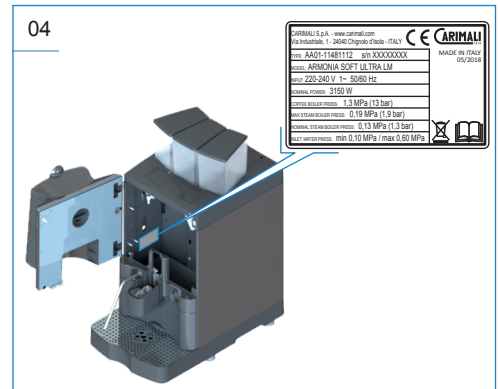
In case of faults caused by the failure to follow the above, the Manufacturer declines any liability for damage caused by non-compliance with the aforesaid provisions.

NOTE



IT IS possible to access the latest version of the manual by registering in the area reserved to customers on the official CARIMALI website.





04







3 INTRODUCTION

This manual is a basic component for the use of the machine. It contains instructions and information about handling and usage of the machine in safety.

3.1 SYMBOLS

| | |
|--|---|
| DANGER | |
|  | This indicates a serious danger for the operator that may cause severe injury or death. |
| ATTENTION | |
|  | This indicates a potentially dangerous situation for the operator that may cause severe injury. |
| WARNING | |
|  | This indicates a potentially dangerous situation that may cause minor injury or machine damage. |
| NOTE | |
|  | This points out notes or operation procedures that helps the operator when using the machine. |

3.2 USER TYPES

| ICON | DESCRIPTION |
|---|--|
|  | USER User in charge only of the simple use of the machine. |
|  | FILLING AND MAINTENANCE OPERATOR User in charge of the filling/emptying of products and consumables, as well as routine maintenance. |
|  | QUALIFIED SERVICE ENGINEER Skilled operator in charge of installation, adjustment, advanced use, and routine maintenance. |
|  | CARIMALI SERVICE ENGINEER Skilled operator authorized by the Manufacturer, in charge of complex operations. |

3.3 INTENDED USE

This machine was designed and manufactured for dispensing:

- Coffee
- Cappuccino
- Powdered drinks
- Milk
- Hot water
- Steam

The machine is intended for professional use, such as:

- Refreshment areas in shops
- Refreshment areas in offices
- Refreshment areas in other environments
- Holiday farms
- Hotels
- Motels
- Bed & Breakfast.

3.3.1 Reasonably foreseeable misuse

WARNING



In order to ensure safety of the operator and the machine, it is strictly forbidden to use the machine in a different manner from that indicated in this manual.

ATTENTION



The machine is not intended for outdoor use.

4 DESCRIPTION OF THE MACHINE

4.1 MACHINE CONFIGURATIONS

EASY

Dispensable products: COFFEE, POWDERED DRINKS



1 Grinder



1 Grinder +
1 Powdered drinks
container



2 Grinders +
1 Powdered drinks container
o
1 Grinder +
2 Powdered drinks containers

LM

Dispensable products: COFFEE, MILK, POWDERED DRINKS



1 Grinder



2 Grinders




1 Grinder +
1 Powdered
drinks container



2 Grinders +
1 Powdered drinks
container
o
1 Grinder +
2 Powdered drinks
containers

Optional:

- Premium Grinder Setup;
- Milk pump  (Version LM);
- CariMILK;
- Larger containers;
- MaxSave Energy Saving;
- Aroma diffusion;
- Cup holder;
- Lock and key for containers;
- Direct solid grounds discharge;
- Premium Self-Cup Station;
- Card reader;
- Telemetry system;
- Coin slot +Box;
- Decaf door closure;
- Basin block.

NOTE



The Premium Grinder Setup - new or run in by the manufacturer - is available as an optional extra.

Additional units:

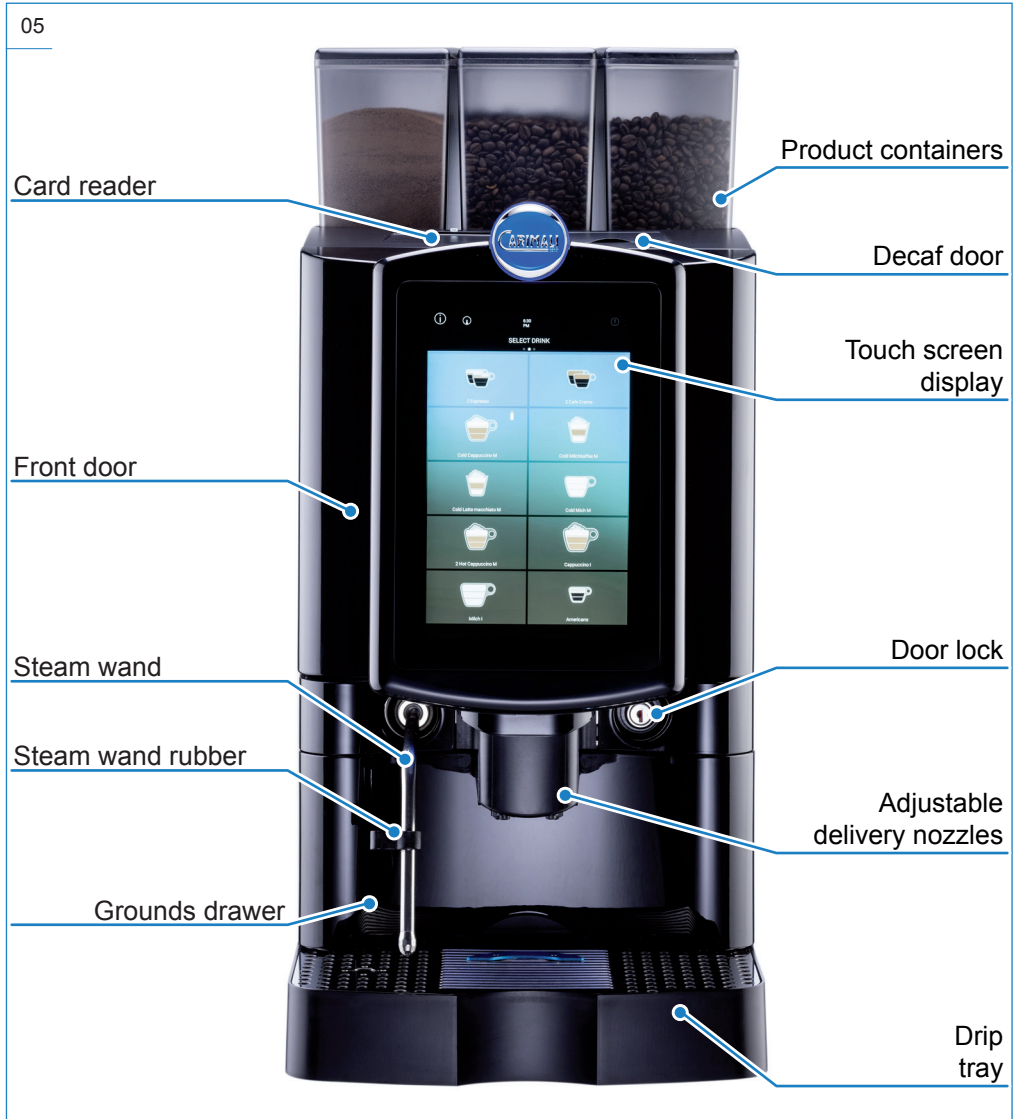
- Frigo Plus;
- Hot and Cold;
- Cup warmer;
- Cup warmer Plus;
- Instant unit;
- Water tank;
- Frescolatte;
- Plus Service Unit.

NOTE



For further details about extra units, please see the specific documentation.

4.2 GENERAL DESCRIPTION OF THE MACHINE

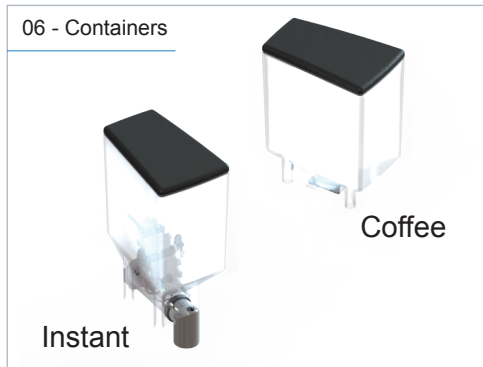


NOTE



The machine can be configured (modular) to have more or fewer options installed according to the needs of the customer.

4.2.1 Coffee / Instant products containers



| CONTAINER | CAPACITY |
|----------------------------|----------|
| Coffee (standard) | 0.6 kg |
| Coffee (maxi) | 1.1 kg |
| Powdered drinks (standard) | 2.0 kg |
| Powdered drinks (maxi) | 3.0 kg |

NOTE

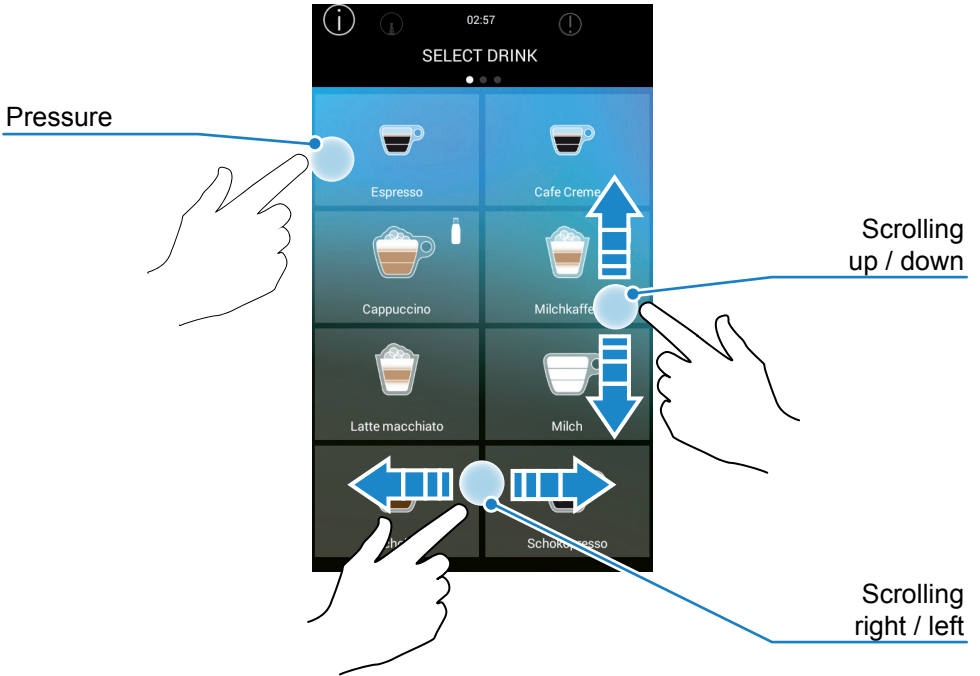


If your machine is the “Premium Self” version, to fill the containers it is necessary to unlock them with the apposite key.

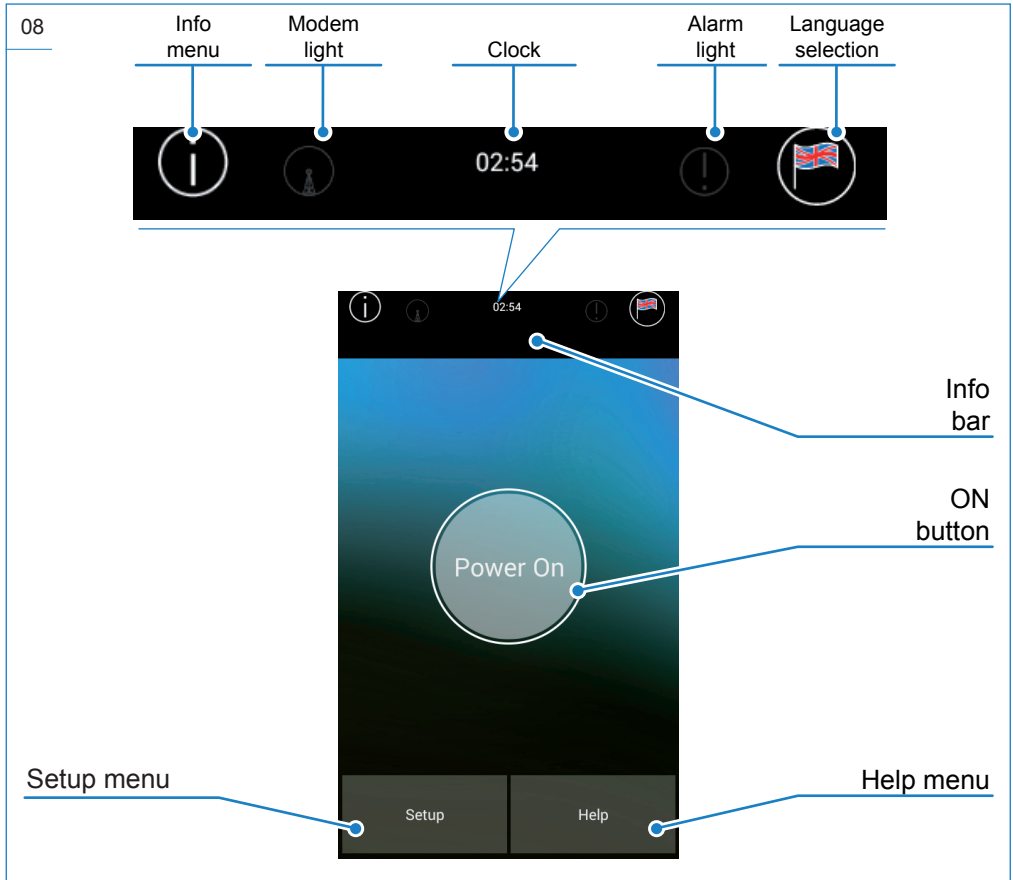
4.3 TOUCH SCREEN DISPLAY

4.3.1 Using the display

07 - Sample page



4.3.2 Switching on



NOTE



If the coffee boiler and steam boiler (if fitted) have not reached the correct working temperature, the heating page will be shown when the machine is switched on.

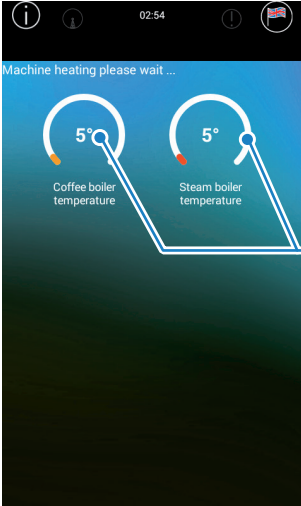
NOTE



The info bar icons described refer to the machine with all optional extras. If your machine does not have all of the optional extras, some of the icons will not be shown on the display.

4.3.3 Boiler heating

09



Temperature gauge

NOTE



This page appears when the machine is switched on. If the boiler temperature falls to below the minimum threshold, the machine will enter alarm mode.

NOTE



Based on the presence of the steam boiler, this screen may be shown differently on your machine.

NOTE



There are two types of boiler heating: The machine is configured at the factory with the contemporary heating. It is however possible to select the sequential heating by the skilled technician.

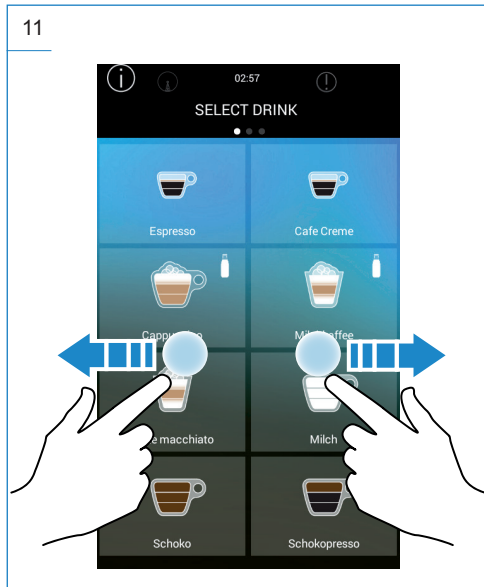
4.3.4 Introduction

10



Intro screen

4.3.5 Drink selection (free vend examples)



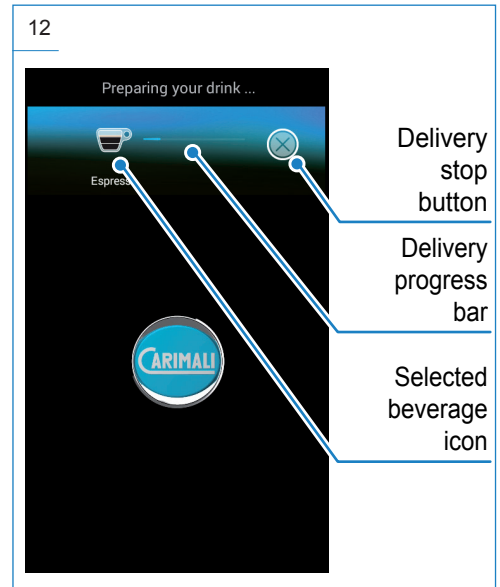
Press the icon to dispense the required drink.

NOTE



During drinks dispensing, steam can be dispensed by means of the apposite wand, if present in the machine configuration.

4.3.6 Drink delivery in progress



NOTE




The dispensing stop button is enable at the factory. It can be disabled by a skilled technician.


At the end of the dispensing operation, the display will show the drinks selection screen.


4.3.7 Dose settings

NOTE




Enter the relevant password for access.





Press  and select the Dose Setting menu from the Drinks Selection page. Then select Set Doses.

13



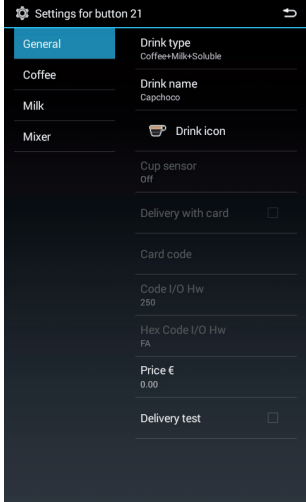
NOTE




The symbol  signals the drink is disabled and can be re-set.

Select a new or existing drink to access its settings.

14



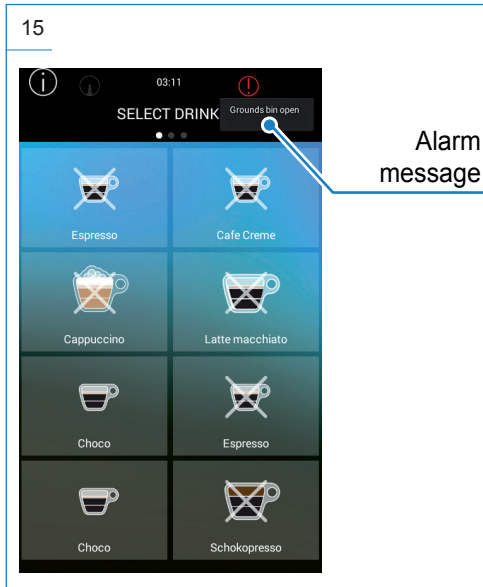
ATTENTION



Dose setting is reserved to a qualified service engineer or the CARIMALI Service Centre.


4.3.8 Alarm signals

In case of alarm, the signal light will begin to flash red and the alarm message will appear on the display.



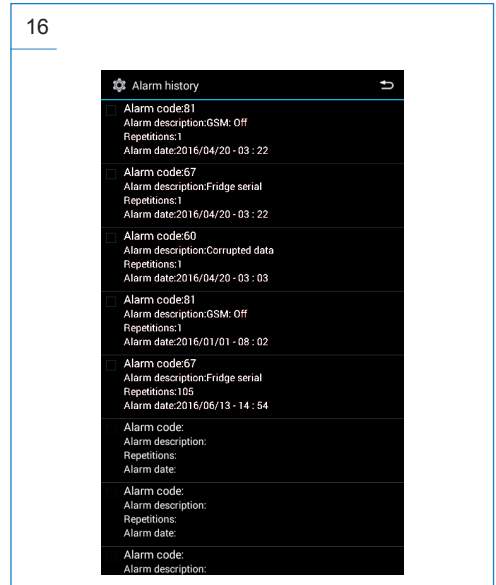
NOTE



Press on the light  to open and view the alarm details.

4.3.9 Alarm history

Press setup and enter the password from the first screen: **11111**. Select the Alarms history menu.



NOTE



The menu will show the last 10 alarms that have occurred.

NOTE



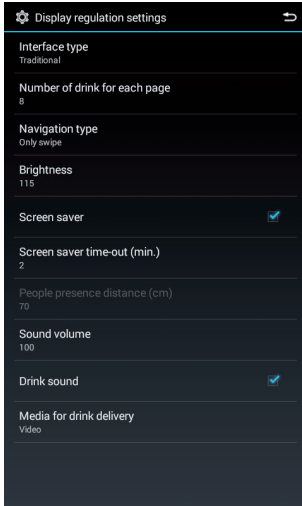
The new alarms to view are in red.

4.3.10 Display adjustment

Press setup and enter the password from the first screen: **11111**.
 Select the Display adjustment menu.

| INTERFACE TYPE | NUMBER OF DRINKS |
|-----------------|------------------|
| Traditional | 4, 6, 8, 10 |
| Self Service | 4, 6, 8, 10 |
| Beverage format | 6, 9, 12 |

17



Set the preferences for and the appearance of the display to customize the drinks selection and the dispensing in progress pages.

NOTE



According to the interface setting, there will be a different number of drinks on each page.

4.4 TOUCH SCREEN DISPLAY VARIATION

4.4.1 Cup station

NOTE



If the “Cup Station” option is enabled, every time delivery of a drink is selected, the system checks the closing state of the front door.

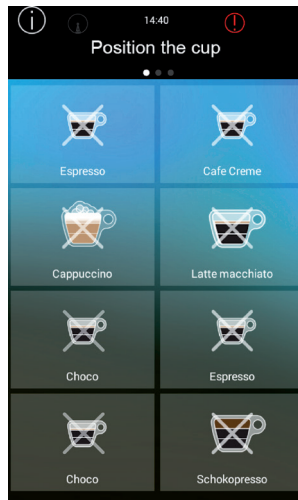
NOTE



The version with “Cup Station” features one only front door. Open the door with the key for emptying the drawer of used grounds. After emptying, when closing the front door, confirm the drawer emptying on the display.

If the door is open, all dispensing is disabled and the display will show a screen asking for the cup to be inserted.

18



After closing the front door, the dispensing will start automatically.

NOTE



During delivery, the door cannot be opened and will remain locked until the end of the process.

The door can be opened and the beverage taken out at the end of dispensing.

4.4.2 Energy save

NOTE



When the energy saving option is enabled (reserved to a qualified service engineer only), it will be applied only with the machine on. The software will activate the energy saving mode according to five conditions:

- User's presence, if no user is detected.
- Cup presence, if no cup is detected.
- Timeout timer based on a "time" setting.
- No drink dispensing.
- No button pressure.

In all these conditions are present, the machine enters the "Energy Save" mode and a screensaver will appear on the display.

19



When one of the above conditions is no longer valid, the system will deactivate the "Energy Saving" mode, restoring the working temperature for the boilers based on the machine settings.

4.4.3 Manual delivery stop

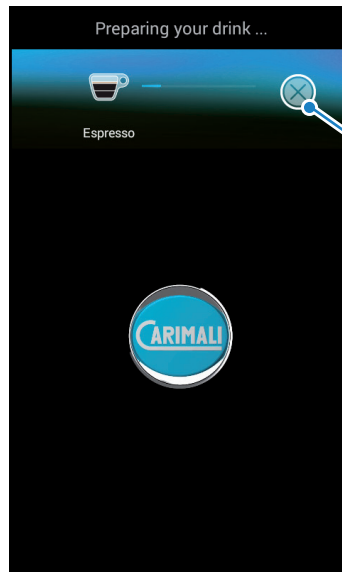
NOTE



If the “Stop Dispensing” function is enabled, the user has the possibility to stop delivery manually.

Press “Stop Dispensing” to stop beverage delivery manually.

20



Manual
delivery stop

NOTE



The manual delivery stop is not instant, but occurs when the system detects a safe situation for machine operation.

WARNING



If there is an MDB payment module, the necessary credit for delivery is subtracted in full, even if delivery is interrupted before completion.

4.4.4 MDB payment system

NOTE



If the MDB payment system is installed and enabled (device available only upon request), it is necessary to insert the required money to delivery the beverage.

WARNING



The management of drinks prices and change is managed by software (reserved to the qualified service engineer) and is different according to the type of MDB installed.

NOTE



For further details on the MDB system, refer to the specific documentation.

5 TECHNICAL CHARACTERISTICS

5.1 TECHNICAL DATA

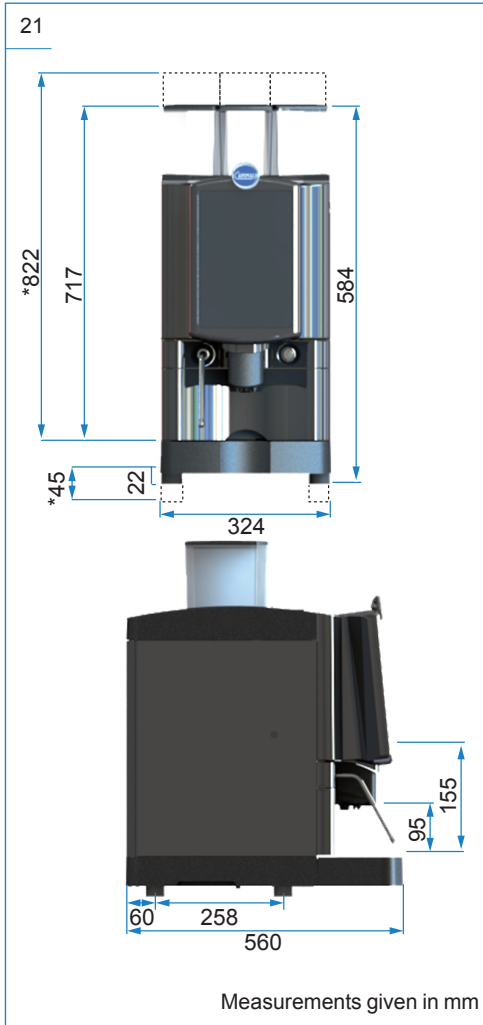
| FEATURES | DATA |
|---|--|
| Dispensing group adjustment | 95 - 155 mm |
| Coffee grounds capacity | 60 |
| Coffee bean container capacity | 0.6 kg |
| Instant product container capacity | 2.0 l |
| Capacity of raised coffee bean container (optional) | 1.1 kg |
| Capacity of raised instant beverage container (OPT) | 3.0 kg |
| Coffee boiler capacity | 1.0 l |
| Steam boiler capacity | 1.0 l |
| Drip tray capacity | 2.0 l |
| Water pressure (version with Water connection) | min 1 bar (0.1 Mpa) min 6 bar (0.6 Mpa) |
| Net weight (empty) | 38 kg (EASY) 42 kg (LM) |
| Gross weight (loaded machine) | 45 kg (EASY) 49 kg (LM) |
| Mains power supply EASY version | 120 V 1+N 50/60 Hz 1350 W 200 V 1+N 50/60 Hz 1914 W 230 V 1+N 50/60 Hz 1950 W 240 V 1+N 50/60 Hz 2124 W |
| Mains power supply LM version | 120 V 1+N 50/60 Hz 2550 W 200 V 1+N 50/60 Hz 3114 W 230 V 1+N 50/60 Hz 3150 W 240 V 1+N 50/60 Hz 3160 W |

NOTE



The alarm to empty the drip tray is enabled when the amount of liquid reaches 1.5 litres.

5.2 OVERALL DIMENSIONS



6 RESIDUAL RISKS

The Manufacturer pre-sets all necessary measures to ensure operator's safety when using the machine.

Anyway, some inconveniences may occur in certain conditions and/or situations.

The causes may be:

- Operator not suitably trained and/or experienced.
- Machine misuse.
- Use of foodstuffs close to their expiry date or already expired.
- Use of non-certified foodstuffs.
- Use of non-original spare parts.
- Unauthorized modifications on the machine.
- Improper maintenance of the machine.

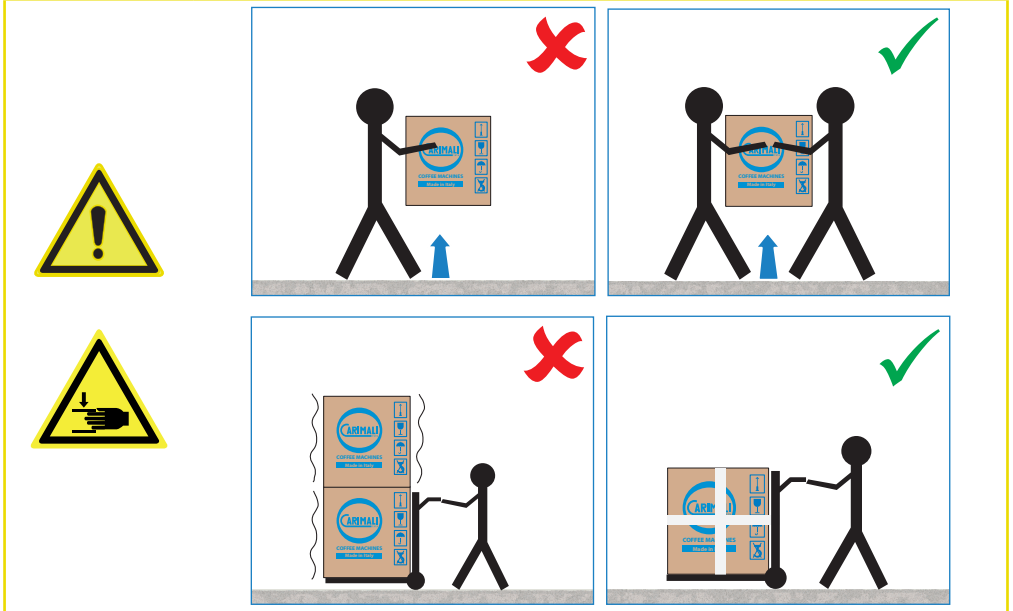
NOTE



* = Overall machine dimensions with raised containers installed

7 HANDLING AND STORAGE

WARNING

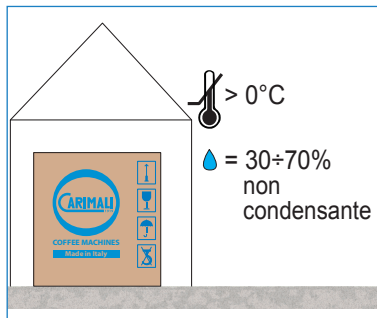


NOTE



Handle the packaging by means of the opposite carrying handles.

WARNING



In case of prolonged storage at temperatures below 2°C, the water circuit in the machine must be drained.

WARNING



Should you decide not to use the machine any longer, unplug it and then make it inoperative by cutting off the power cord.

NOTE



The disposal of the machine is not responsibility of the Manufacturer and must be carried out in compliance with the applicable regulations.

- Disassemble the machine parts.
- Separate them according to material type.
- Deliver the material to the designated collection facilities.

WARNING



Follow the aforesaid disposal procedures, subject to penalties set forth in the applicable waste legislation.

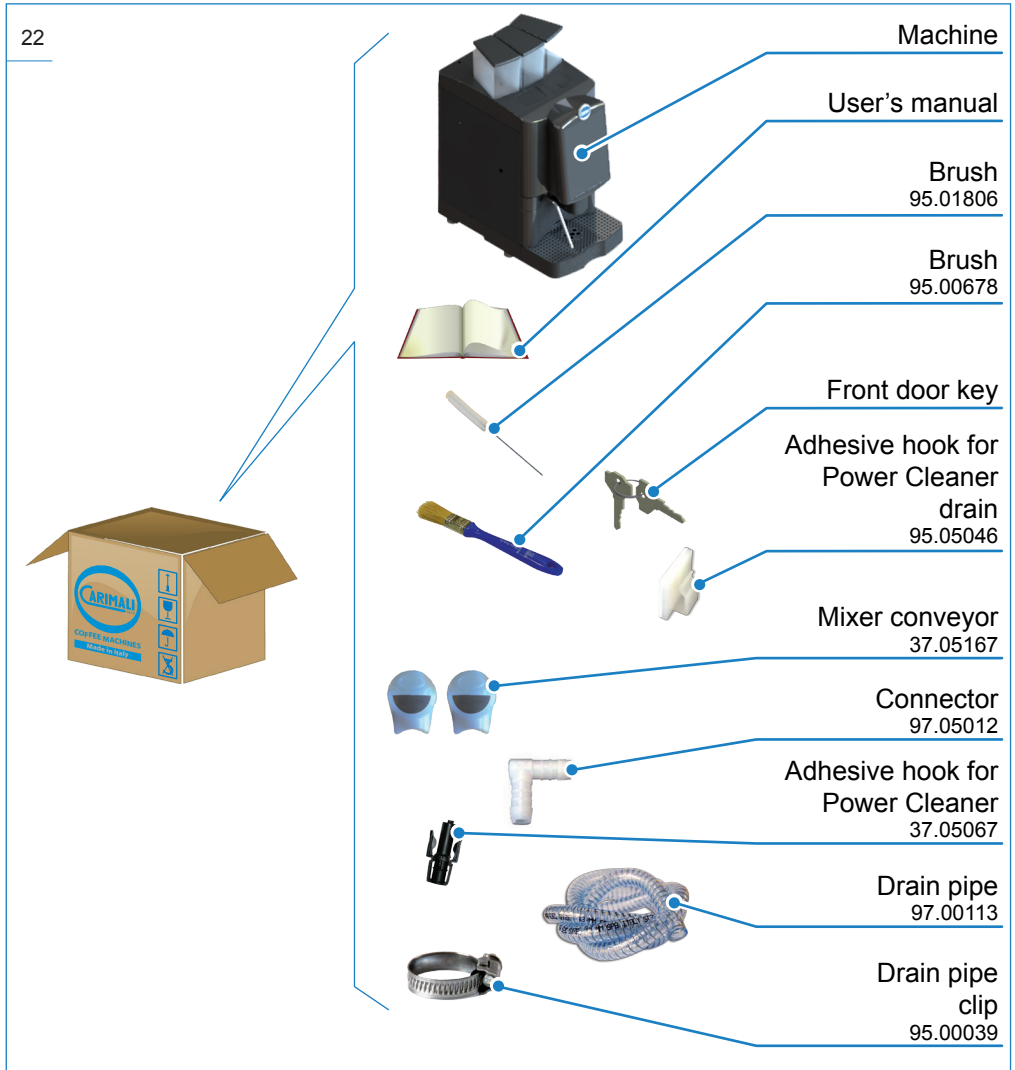
8 INSTALLATION AND STARTUP

WARNING



The contents and procedures described in this chapter are reserved for a qualified technician.

8.1 PACKAGING CONTENTS



8.2 PRIOR CHECKING AFTER RECEIPT

Check the integrity of:

- External packaging
- Internal packaging
- Machine components (external and internal)
- Supplied accessories.

NOTES

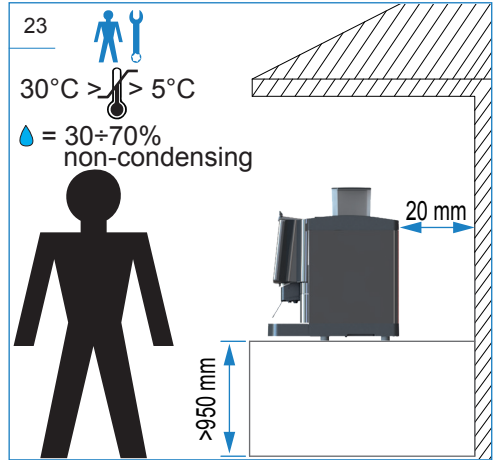


In case damages or anomalies of the supply are noticed, contact the Manufacturer within 7 days from the purchase.

8.3 POSITIONING

Position the machine:

- In closed environments with temperature between 5°C - 30°C;
- At a minimum distance of 20 mm from walls or other objects, to facilitate ventilation.
- Horizontally, on a flat, stable surface, at a minimum height above 950 mm.



NOTE



The machine with raised containers cannot be installed on a surface under a wall unit, due to the increased dimensions.

WARNING



Position the machine on a horizontal surface.

WARNING



Do not obstruct the openings or slots for ventilation or heat dissipation and do not insert water or any kind of liquid.

8.4. INSTALLATION

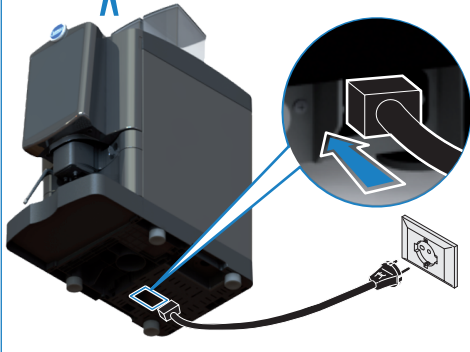
8.4.1 Power mains connection

DANGER



Do not carry out this operation with wet or damp hands.

24



NOTE



Make sure the connector is properly inserted into the apposite machine socket.

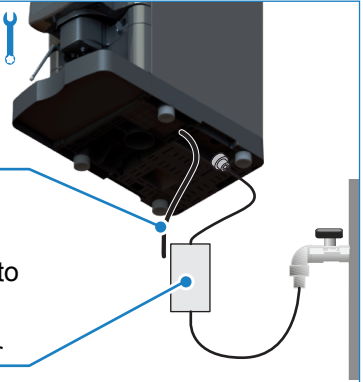
8.4.2 Water mains connection

25



Liquid drain, if fitted

Filter for external softener to be fitted by the customer



ATTENTION



The mains water pressure must never exceed 6 bar (0.6 MPa); if this is not the case, a qualified technician must fit a pressure reducer.

ATTENTION



Never use the machine without water.

WARNING

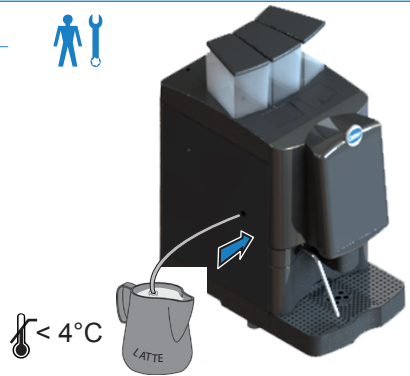
The connection to water mains must be done by a skilled technician in compliance with applicable regulations. Use the certified CARIMALI HOSE (95.01889). To prevent damages to the hydraulic circuit, the optimal range of the water inlet from the mains is between 10 and 15 French Degrees (60/80 Mg/ Ca).

8.4.3 Milk circuit connection**WARNING**

Milk temperature must be below 4 °C.

Connect the milk container to the Milker outlet hose.

26



If an additional unit is fitted, connect the Milker outlet to the unit.

27



28



Hole for milk pipe inlet

NOTE

The fridge was designed and built to work along with the machine, in order to ensure a correct conservation of milk at a suitable temperature.

For further details about the use and maintenance of the fridge, refer to the specific documentation.

8.4.4 Boiler filling

This operation serves to fill the water circuit and the boiler.

ATTENTION



By omitting this operation, the machine may be seriously damaged and the manufacturer's liability for machine functioning will lapse immediately.

ATTENTION



This operation must be performed by a qualified service engineer during the machine installation process and according to the instructions in the Maintenance Manual.

9 INSTRUCTIONS FOR USE

9.1 GETTING STARTED

Before using the machine, it is important to carry out the following:

- Dispenser group washing;
- Power Cleaner washing.

For further details, refer to the maintenance chapter.

NOTES

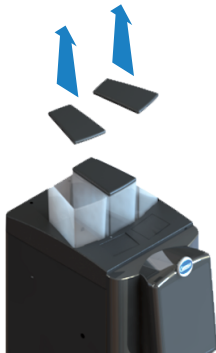


After washing, fill the water circuit.

9.1.1 Product filling

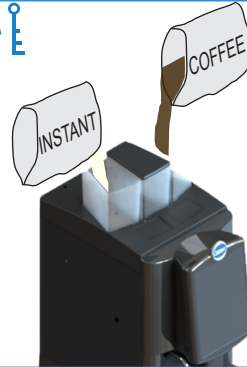
Open the required product container using the corresponding key.

29



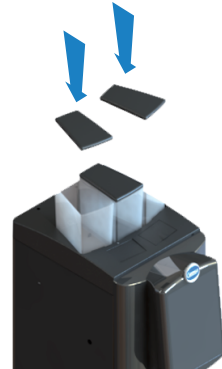
Pour the required product into the container, avoiding to pour it onto the machine.

30



Close the container.

31



NOTE

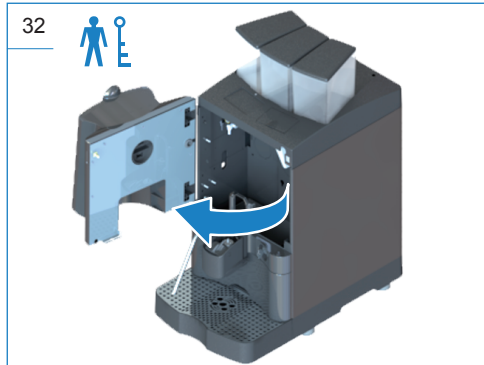


The process also applies if maxi containers are fitted.

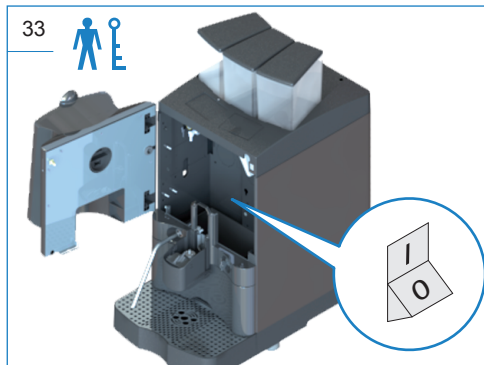
9.2 SWITCHING ON

After carrying out the installation and the preliminary operations, proceed to switch on the machine.

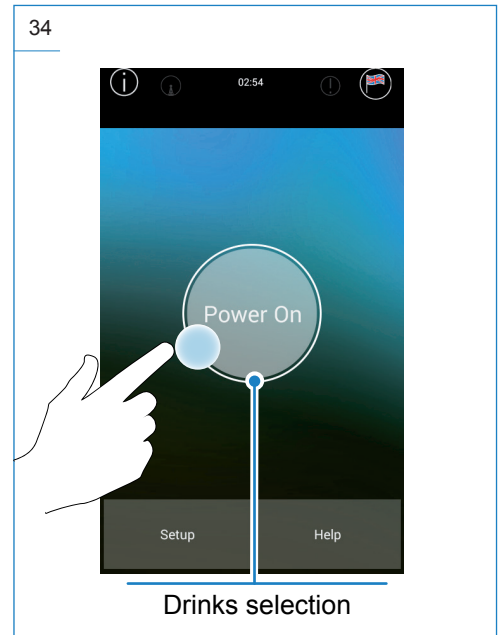
Open the front door with the special key.



Press the on button.



The following screen will appear when the machine switches on.



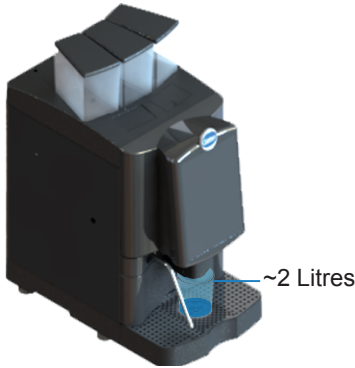
9.2.1 Dispensing circuit washing

WARNING



When using for the first time, or after a long period of disuse, wash the dispensing circuit to eliminate any impurities that may be in the boiler or system.

35

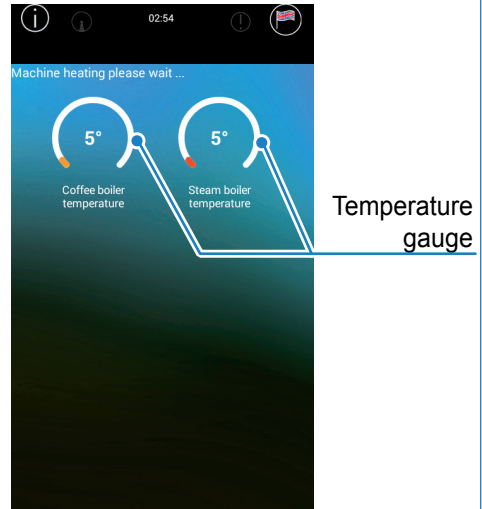


1. Dispense 4-6 litres of water according to model, from:
 - Hot water spout (if fitted);
 - Water by-pass (if fitted);
 - Long or powdered coffee dispensing nozzle, without any products in the relevant containers.
2. Start an "All in One" wash (to repeat 2-3 times) to flush out the circuit (including milker) semiautomatically.

9.3 DRINK DISPENSING

Allow the coffee and steam boilers (if present) to heat up before proceeding with drink dispensing.

36



NOTE



Based on the presence of the steam boiler, this screen may be shown differently on your machine.

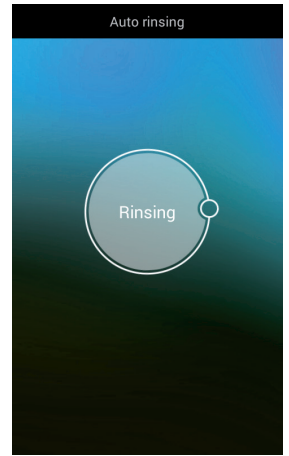
NOTE

Based on the machine settings, it is possible to heat the boilers in sequence or together.

In case of sequential heating, if the steam boiler has not reached the working temperature, drinks requiring the use of steam will not be available.

NOTE

During the heating stage, when the coffee boiler reaches 50°C (122°F), the machine will carry out an automatic dispensing group rinse.



Once the machine reaches the working temperature, it is possible to proceed with drink dispensing.

37



A

NOTE



If the “A” icon is present, it is possible to dispense beverages with Extramilk.

To use this option, hold down the drink button for a few seconds.

NOTE



Adjust the dispensing group height according to the height of the cup.

For dispensing, press the key corresponding to the required drink.


Al termine dell'erogazione, il display visualizzerà la schermata di selezione bevande.

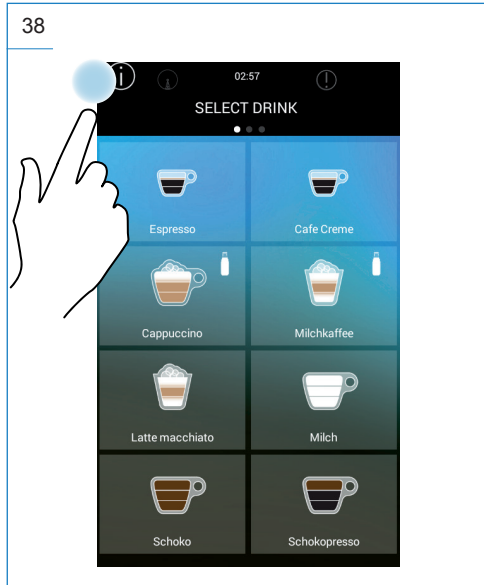
NOTE



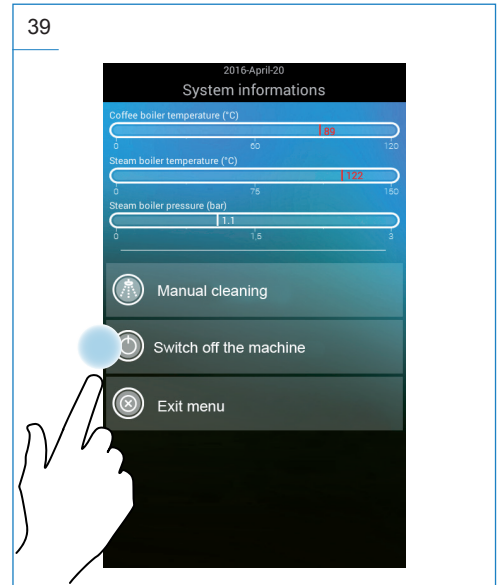
Before using the steam wand, the condensation must be drained out for at least 2 seconds.

9.4 SWITCHING OFF

To switch off the machine, press .



Then press “Machine off”.



The display will return to the initial screen.

10 ROUTINE MAINTENANCE



DANGER

The intervention of routine maintenance and cleaning must be performed by the operator only after:

- switching off the machine
- having disconnected the machine power supply, by unplugging it
- turning off the tap upstream of the water mains connection;
- waiting for the machine to cool down, as necessary.

The operator must always use protective gloves to prevent abrasions.



WARNING



Do not pull the power cord or the machine itself to unplug the machine from the mains power socket.

WARNING



Each operation requiring disassembly of the machine parts must be performed by a skilled technician.

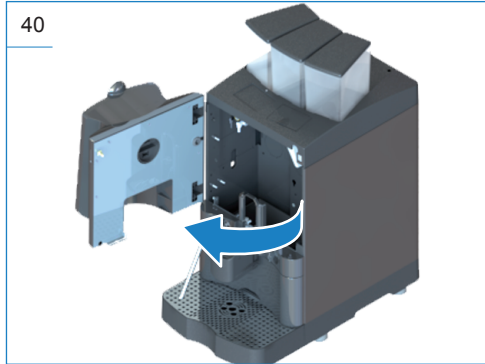
ATTENTION



When carrying out maintenance, only use compatible products (for example, food-grade grease) on the machine and in the surrounding area, to prevent any malfunctions and to avoid dispensing incorrect drinks.

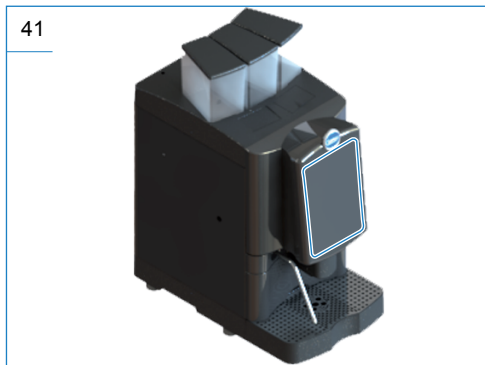
| OPERATION | TYPE OF OPERATION | FREQUENCY | PARAGRAPH |
|--|---|------------------------------|------------------|
| Touch screen display cleaning | Manual | Daily | 10.1.1 10.2.8 |
| External cleaning of chrome-plated surfaces | Manual | Daily | 10.1.2 |
| External cleaning of machine surfaces | Manual | Daily | 10.1.3 |
| Emptying and cleaning the liquid grounds container | Manual | Daily or before if necessary | 10.1.4 |
| Emptying and cleaning the solid grounds container | Manual | When counting is reached | 10.1.4 |
| Instant product / coffee container cleaning | Manual | Weekly | 10.1.5 |
| Power Cleaner washing | Automatic | Start and end of the day | 10.2.1 |
| All in One wash | Automatic (as shown on the display) | Daily | 10.2.2 |
| Coffee group wash | Automatic | Daily | 10.2.3 |
| Mixer wash | Automatic | Daily | 10.2.4 |
| | Manual | Weekly or when necessary | 10.2.5 |
| Milker washing (optional) | Automatic | Daily | 10.2.6 |
| Cleaning of milk circuit (optional) | Manual | Weekly | 10.2.7 |
| Cleaning the external softener filter (if fitted) | See the relevant manufacturer's instructions. | | / |

To clean the internal components, open the front door of the machine using the keys supplied.



10.1 EXTERNAL CLEANING

10.1.1 Cleaning the display

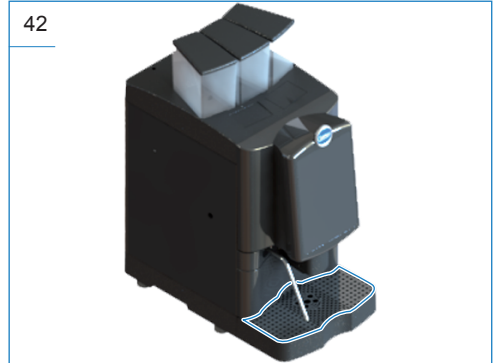


WARNING



Do not use alcohol, solvents or abrasive agents to carry out this operation.

10.1.2 Cleaning of chrome-plated surfaces



WARNING



For cleaning the chrome-plated surfaces, use a damp cloth, an antistatic cloth or similar. Do not use abrasive agents to carry out this operation.

10.1.3 Cleaning of machine surfaces

Proceed with the daily external cleaning of the machine using a cloth dampened with water and dry thoroughly.

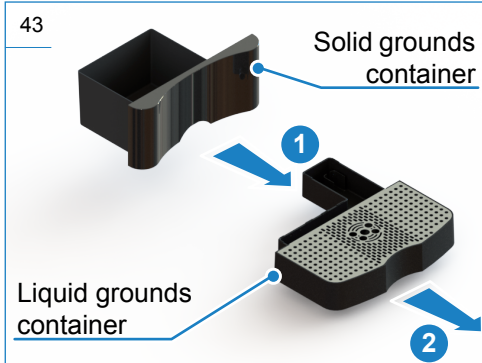
WARNING



Do not use solvents, chlorine-based products or abrasive agents to carry out this operation. Do not clean the machine with direct water jets. Never immerse the machine in water or other liquids.

10.1.4 Cleaning the solid/liquid grounds container

Slide out the drip tray and grounds drawer and rinse them in water



NOTE



If necessary, use a brush to remove any residues.

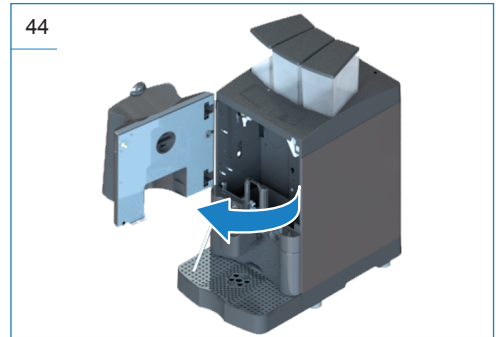
NOTE



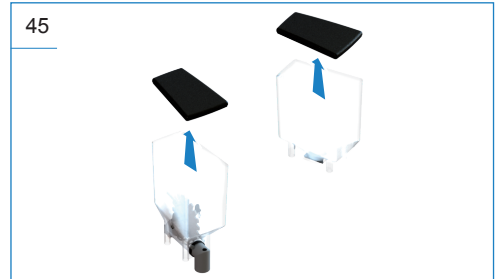
Wash with care to prevent the spread of bacteria.

10.1.5 Instant product / coffee container cleaning

Open the upper front door.



Remove the instant product containers from the machine and open them.



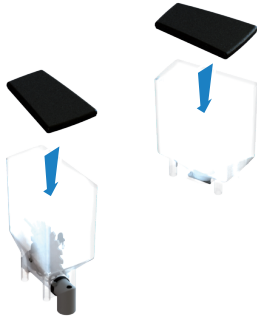
Clean with a solution of hot water and sanitizing product.

Rinse and dry thoroughly. Insert the containers into the machine.

NOTE



Make sure there are no residues.
Clean the components manually with a brush, if necessary.

**NOTE**

In case the containers required by the configuration are missing or are not inserted properly, the machine stops working.

NOTE

The process is valid, even if the optional maxi containers are fitted.

10.2 CLEANING OF FUNCTIONAL UNITS

10.2.1 Power Cleaner washing

ATTENTION


The machine is set at the factory with the automatic rinsing. If it is disabled, carry out the Power Cleaner washing after each dispensing of milk-based drinks.

WARNING

The Power Cleaner washing cleans the milk circuit to prevent build up on the inside, and it needs to be carried out every time after a milk-based beverage is dispensed or if the machine is left on standby for a few hours.

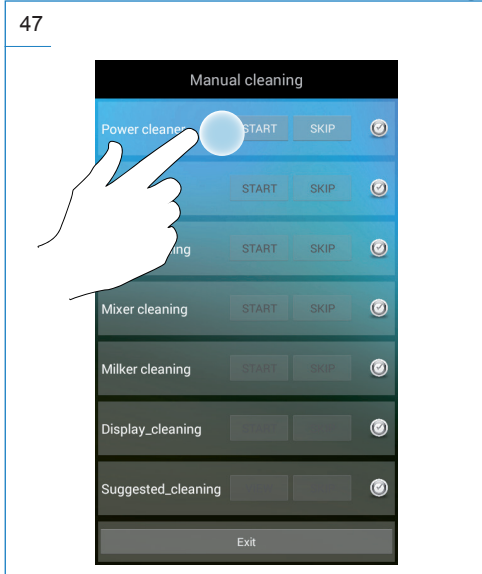
NOTE

This procedure can be carried out following the instructions on the display.

From the Drinks selection page, press , select the manual wash menu

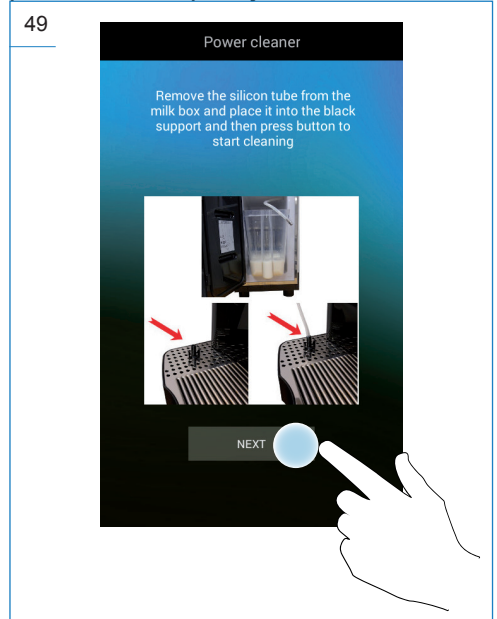
and start the Power Cleaner washing.

47



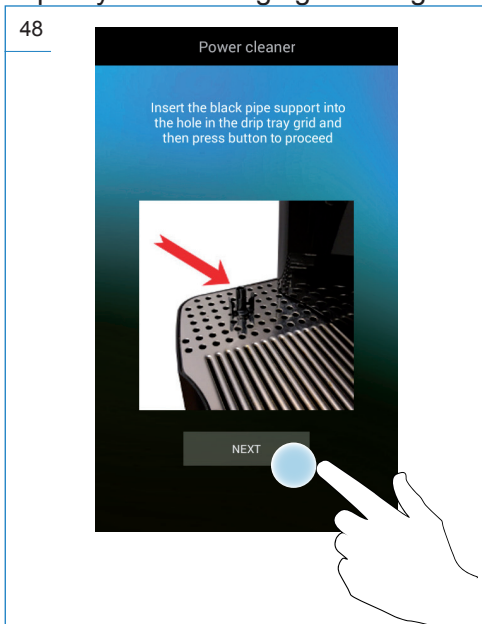
Insert the milk hose inside the support on the drip tray.

49



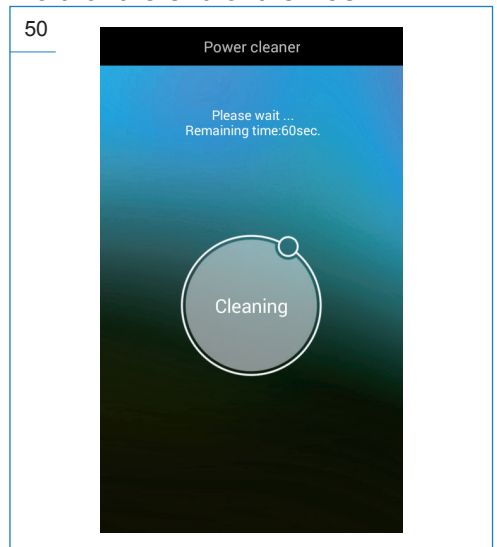
Insert the milk hose support in the drip tray for discharging washing.

48



Wait for the end of the wash.

50



10.2.2 All in One wash

This type of wash makes it possible to carry out all possible washes according to the machine configuration and in the following sequence:

1. Group wash
2. Milker wash
3. Mixer wash

NOTE



If the machine configuration does not contain a group or circuit, the wash will automatically pass to the next group or the circuit present.

NOTE




We recommend carrying out an All in One washing cycle every day at the end of the shift.

NOTE



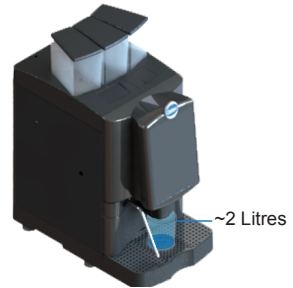
This procedure can be carried out following the instructions on the display.

Press  and select the manual wash menu from the Drinks Selection page.

NOTES



Before an All in One wash and according to the machine configuration, place a **2-litre container (approx.)** under the **dispensing nozzle** to collect the cleaning liquids.



WARNING



Do not interrupt the washing cycle after it has started.

If the washing cycle is interrupted by an unforeseen event or by any operation that has nothing to do with the process, the machine will automatically complete the cycle when the correct machine operation has been restored.

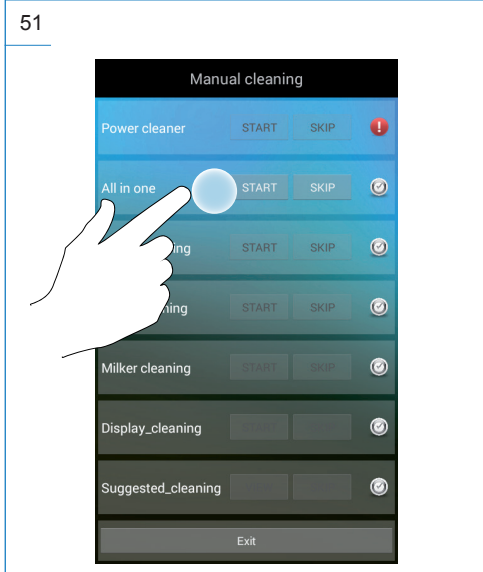
NOTE



Skip previous washes by pressing **SKIP**.

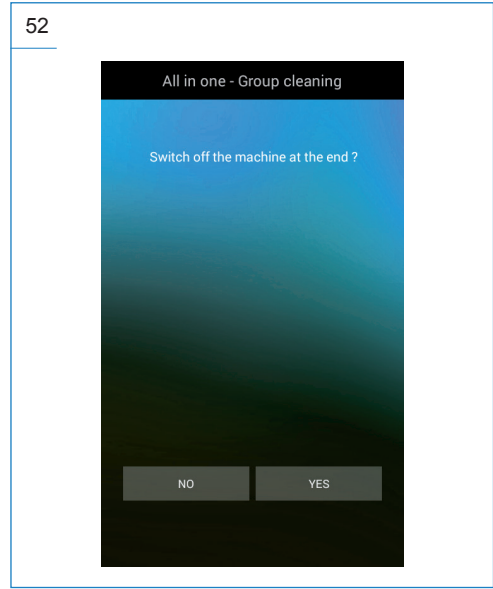
Start the All in One washing.

51



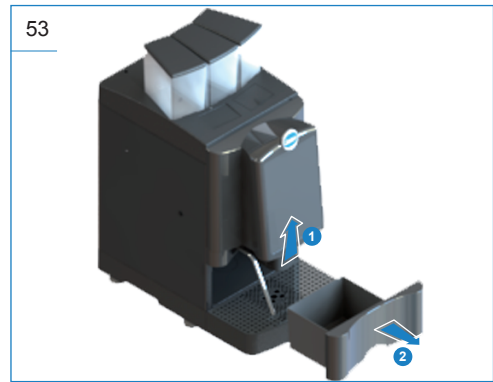
Press (YES) to switch the machine back on at the Power On screen at the end of washing, or press (NO) to switch the machine on at the drinks selection screen.

52



Raise the dispensing unit completely and remove the dregs drawer.

53



Empty the dregs drawer and clean out any residues.

NOTE



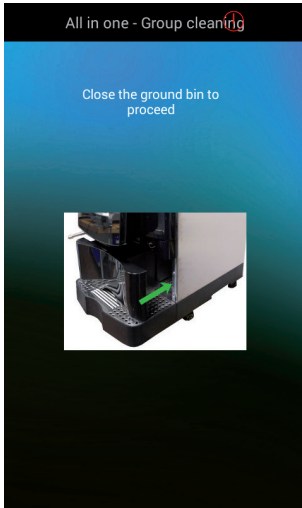
When the dregs drawer is opened, the relevant alarm will be displayed.

NOTE



This operation is only necessary on machines without direct drainage.

54



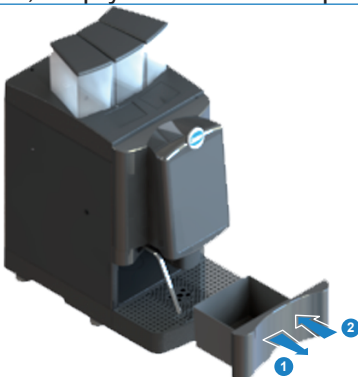
NOTE



If the machine has a milk circuit, insert the float into a container with a solution of water (500 ml) and with Carimali sanitizer (30 ml - 06.00136). Follow the instructions on the sanitizer package for a proper dilution.

Take out, empty and refit the drip tray.

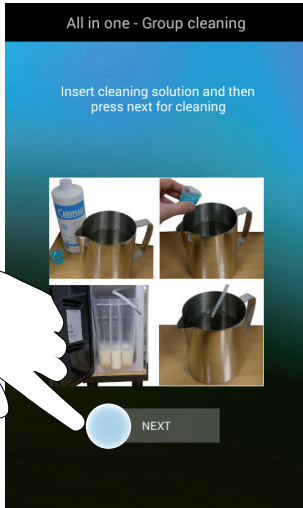
55



56

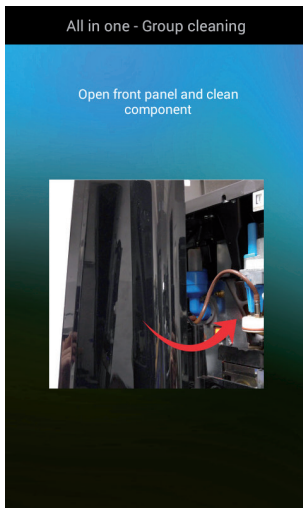


57



Open the front door to clean manually the internal parts.

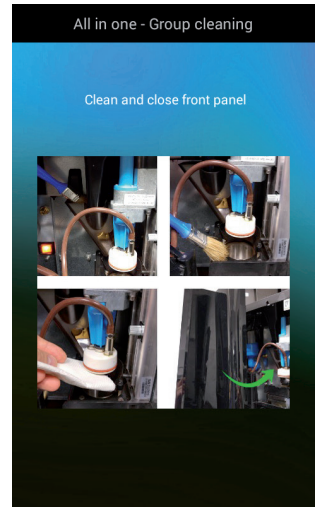
58



When opening the front door, the display shows the parts to be cleaned.

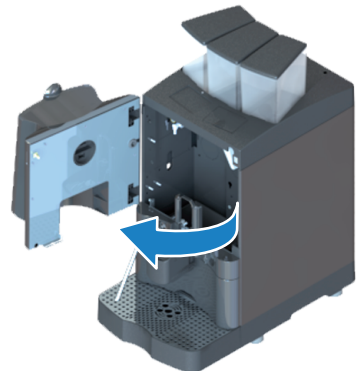
After cleaning, close the front door.

59



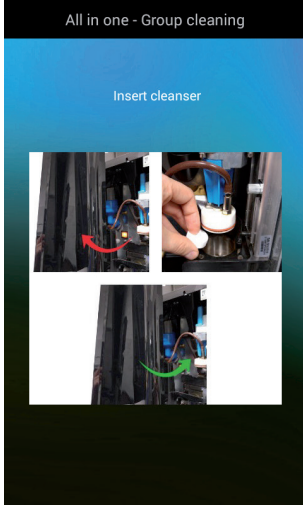
Open the front door.

60



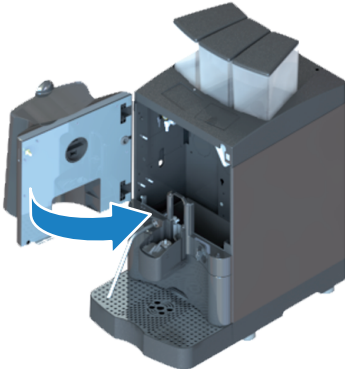
Insert the pad of cleaning agent Carimali (06.00133) into the coffee group.

61

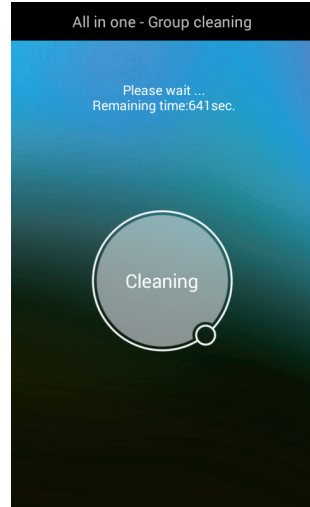


Close the front door to start the washing cycle.

62



63



Wait for the end of the wash for:

- Coffee group;
- Mixer;
- Milker (optional).

ATTENTION



Once the “All in One” washing cycle has been completed, remove the milk float (if present) from the container of water and sanitizer and rinse it carefully.

ATTENTION



Before proceeding with the normal use of the machine, carry out some test dispensing cycles.

10.2.3 Coffee group wash

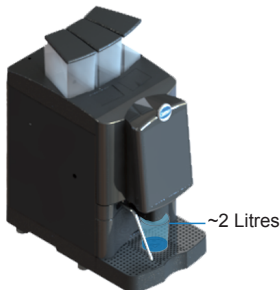
NOTE



This procedure can be carried out following the instructions on the display.

NOTES


Place a container (approx. 2 l) under the dispensing nozzle.



NOTE



If the cleaning cycle is stopped suddenly before its completion, always repeat the procedure from the beginning, making sure the rinsing stage is carried out.

Press  and select the manual wash menu from the Drinks Selection page.

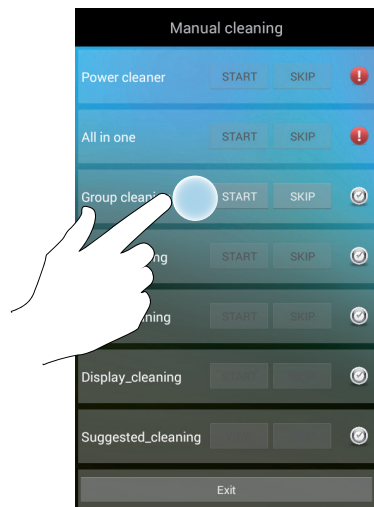
NOTE



Skip previous washes by pressing SKIP.

Start the coffee group washing.

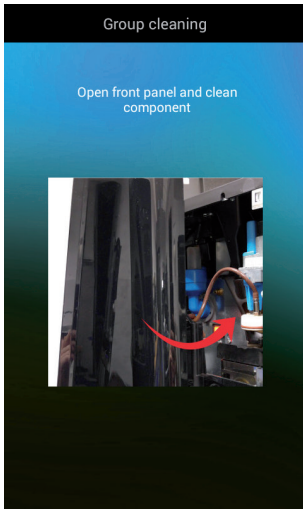
64



Open the front door to clean manually the internal parts.

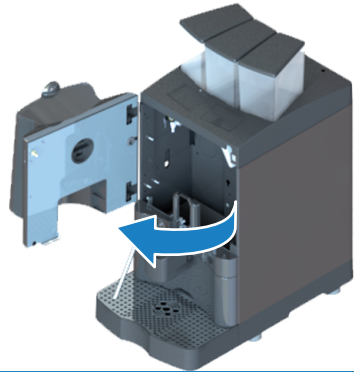
Open the front door again to access the coffee group.

65



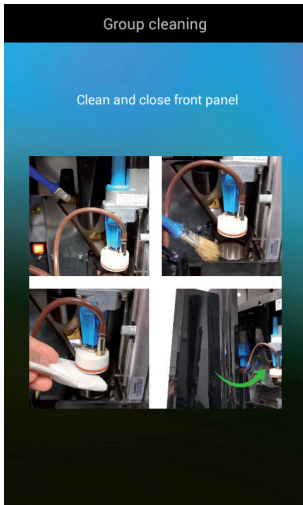
When opening the front door, the display shows the parts to be cleaned. After cleaning, close the front door.

67

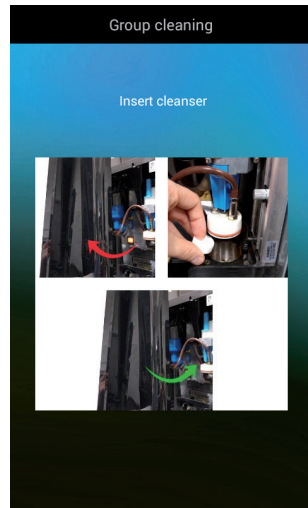


Insert the pad of cleaning agent Carimali (06.00133) into the coffee group.

66

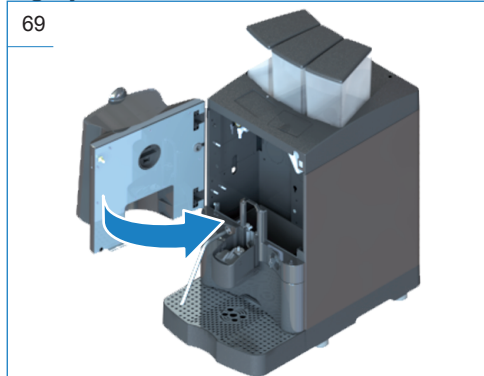


68



Close the front door to start the washing cycle.

10.2.4 Mixer wash



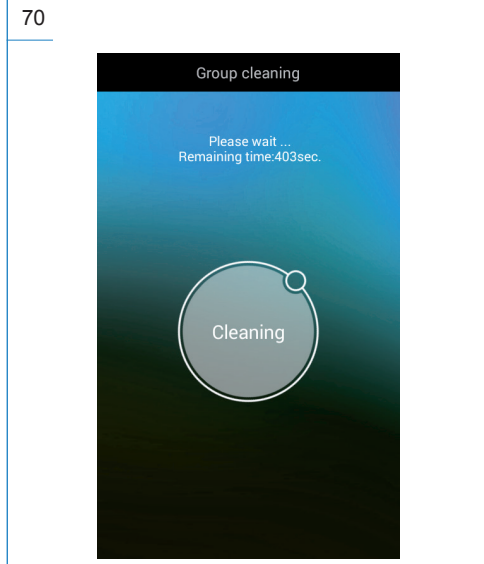
NOTE



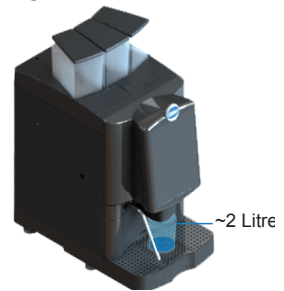
This procedure can be carried out following the instructions on the display.

Wait for the end of the wash.

NOTES



Place a container (approx. 2 l) under the dispensing nozzle.



NOTE




If the cleaning cycle is stopped suddenly before its completion, always repeat the procedure from the beginning, making sure the rinsing stage is carried out.

ATTENTION



Before proceeding with the normal use of the machine, carry out some test dispensing cycles.

Press  and select the manual wash menu from the Drinks Selection page.

NOTE



Skip previous washes by pressing SKIP.

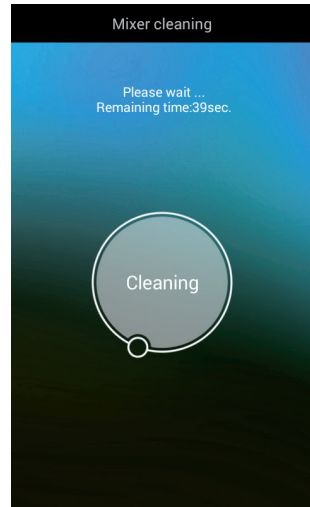
Start the Mixer washing.

71



Wait for the end of the wash.

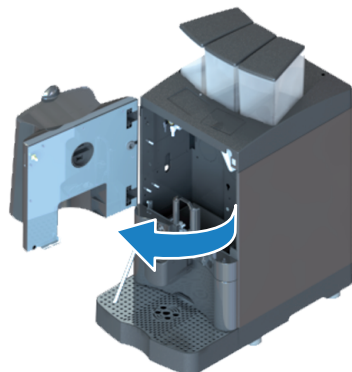
72



10.2.5 Disassembly and manual cleaning of the mixer

Open the upper front door on the machine.

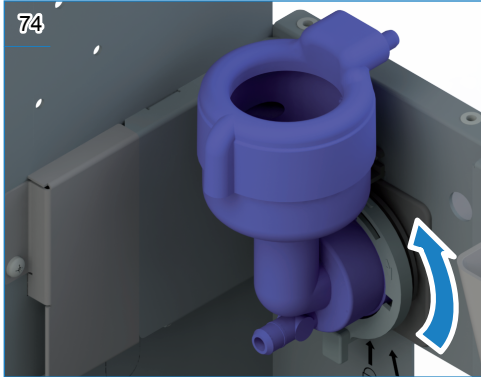
73



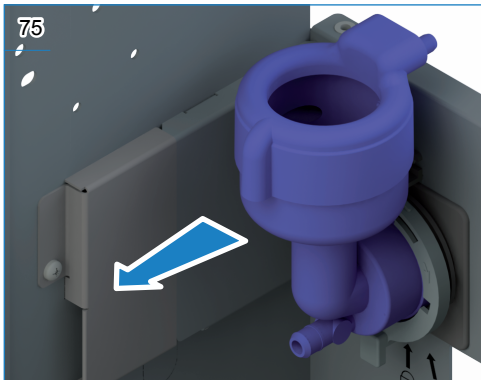
ATTENTION

Disconnect the hoses that might interfere with this procedure.

Rotate the ring nut to match the tabs with the relevant slots and free the mixer.



Slide the mixer out towards the front of the machine.

**ATTENTION**

Do not put in the dishwasher.

NOTE

For cleaning operations, use the CARIMALI cleaning agent (06.00136).

**Required tools for cleaning:**

- Hot water
- Cleaning agent

Immerse all components in a solution of hot water and cleaning agent CARIMALI.



Rinse all components with running hot water.

ATTENTION

Make sure the components are perfectly dry before installing them again on the machine, to prevent bacteria growth.

NOTE

Assemble the Mixer by proceeding in the reverse order compared to the above instructions.

10.2.6 Milker wash (optional)**NOTE**

This process is only available if the milk circuit is fitted.

NOTE

This procedure can be carried out following the instructions on the display.

ATTENTION

Before proceeding with the normal use of the machine, carry out some test dispensing cycles.

ATTENTION

If the cleaning cycle is stopped suddenly before its completion, always repeat the procedure from the beginning, making sure the rinsing phase is carried out.

Press and select the manual wash menu from the Drinks Selection page.

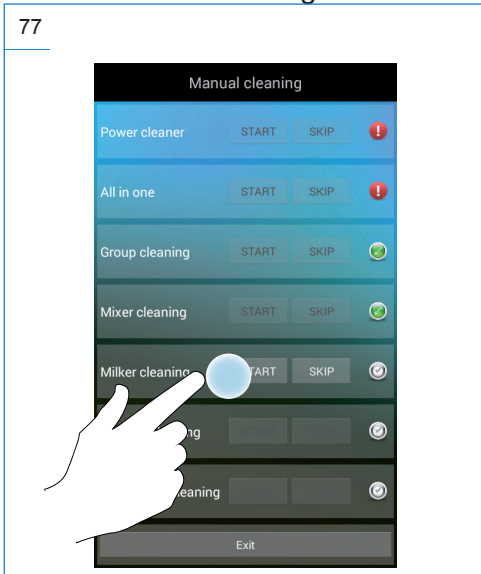
NOTE



Skip previous washes by pressing SKIP.

Start the Milker washing.

77

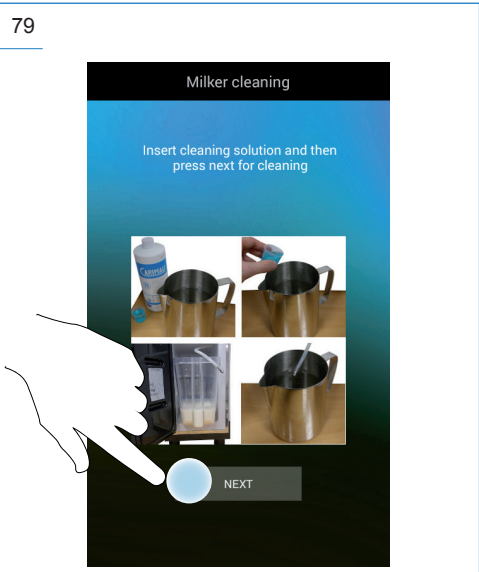
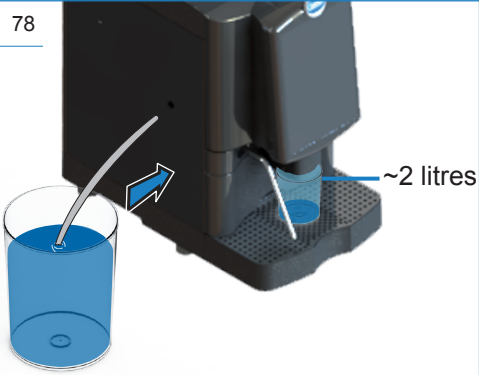


Connect the Milker circuit to a container with water and CARIMALI sanitizer (06.00136). Follow the instructions on the sanitizer package for a proper dilution.

NOTE

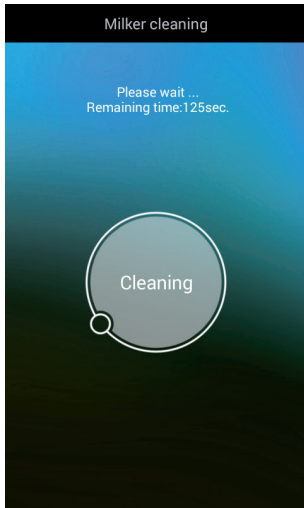


Put a container of approx. 2 l under the dispensing nozzle.

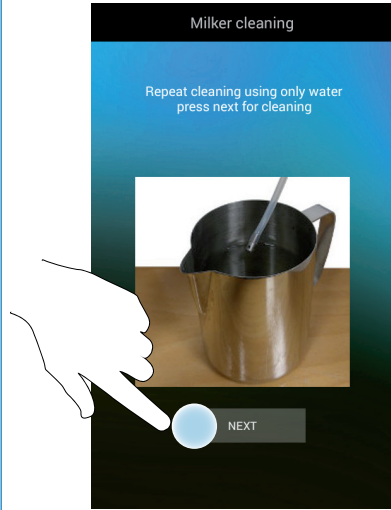


Wait for the end of the wash.

80



81



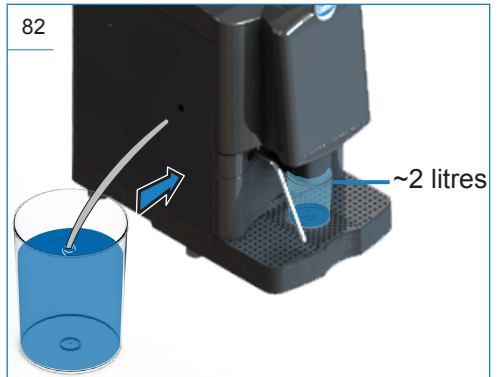
NOTE



For the complete rinsing of the Milker circuit, use more than 1 l of fresh water.

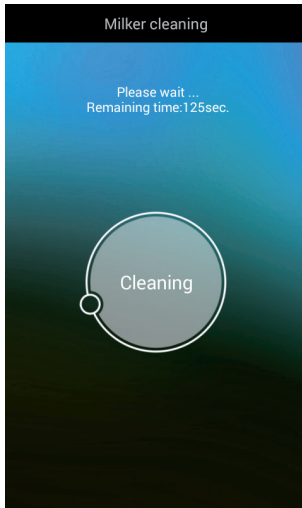
When shown on the display, connect the Milker circuit to a container with fresh water for rinsing.

82

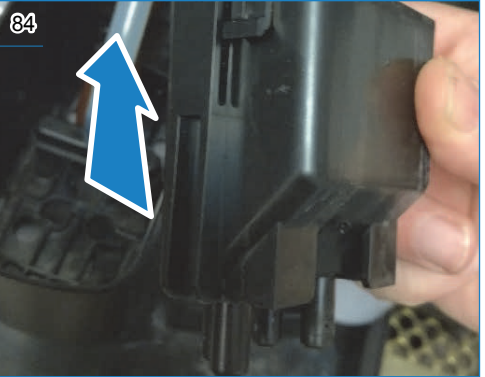


Wait for the end of the washing.

83



Press the two side flaps of the coffee dispenser and remove it from the group.



Remove the Milker hose and the dual dispenser of the milk circuit.

10.2.7 Manual cleaning of the milk circuit (optional)

NOTE



This process is only available if the milk circuit is fitted.

ATTENTION



During this stage, be careful not to damage the milk circuit parts.



Immerse the milk dispenser in a tray containing a solution of water and dish detergent.

Allow the detergent to work for the necessary time (see the specifications of the product used).

86



Rinse all components with running hot water.

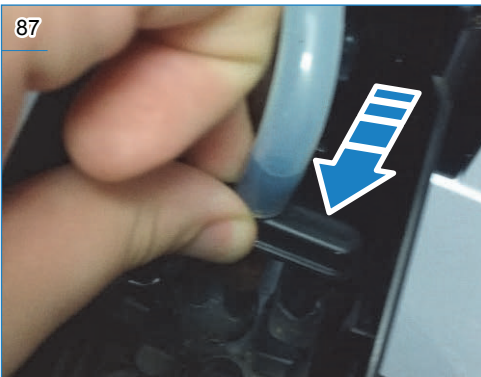
ATTENTION



To prevent the spread of bacteria, make sure a perfect drying before installing the milk dispenser in its seat.

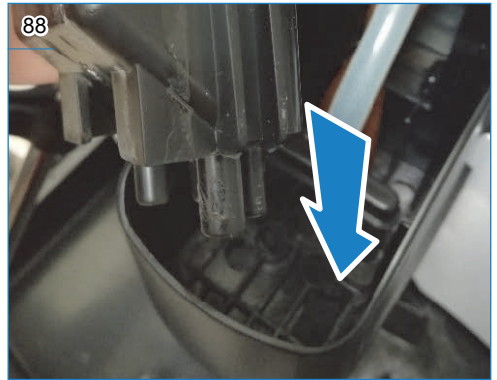
Then, insert the milk dispenser back and reconnect the Milker hose.

87



Insert the coffee dispenser back into the group.

88



After having assembled the dispensing unit, carry out an All in One washing cycle.

For further details, refer to the relevant chapter.

10.2.8 Cleaning the display

NOTE



This procedure can be carried out following the instructions on the display.

Press and select the manual wash menu from the Drinks Selection page.

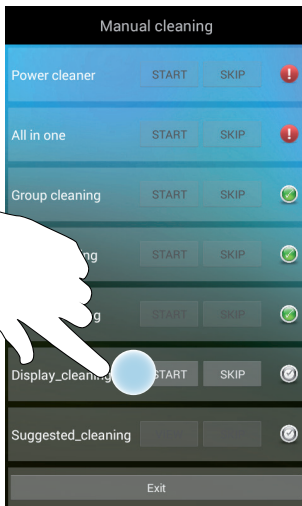
NOTE



Skip previous washes by pressing SKIP.

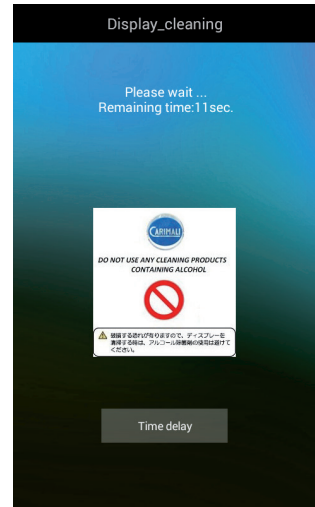
Start the display Cleaning procedure.

89



Follow the instructions on the display.

90




10.2.9 Recommended washes

NOTE



This procedure can be carried out following the instructions on the display.

Press  and select the manual wash menu from the Drinks Selection page.

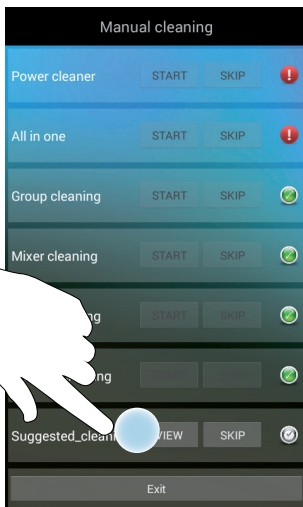
NOTE



Skip previous washes by pressing SKIP.

Select the recommended Washing cycle to show the relevant procedures on the display.

91



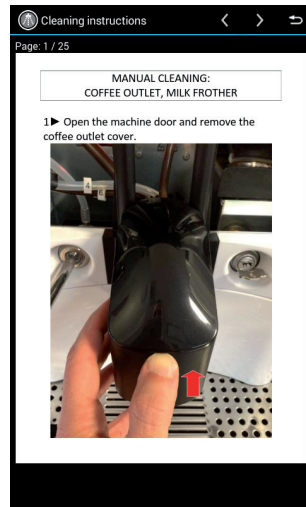
The display shows the procedures of the recommended washing cycles.

NOTE





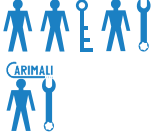

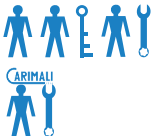



Scroll through the pages of the document with the < > keys.

92

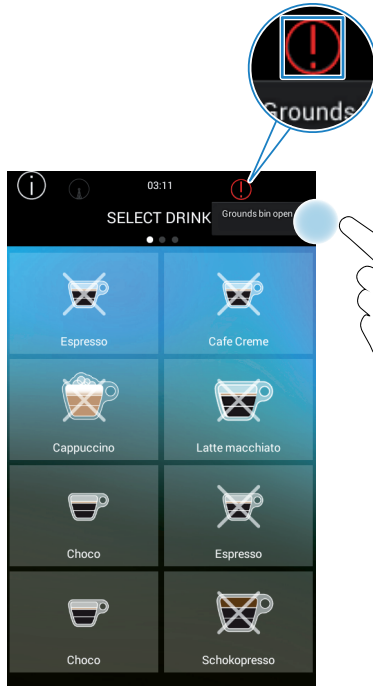


11 TROUBLESHOOTING

| FAULT | POSSIBLE CAUSE | POSSIBLE SOLUTION | USER |
|--|---|---|--|
| <p>The machine does not turn on. (display off).</p> | <p>Wrong connection to the power mains.</p> | <p>Check and repair wiring.</p> |  |
| | <p>Faulty door safety micro switch.</p> | <p>Check micro switch.</p> |  |
| | <p>General electric failure.</p> | <p>Contact the Service centre.</p> |  |
| <p>Drinks dispensed incorrectly.</p> | <p>Obstructed dispensing nozzle/s.</p> | <p>Carry out an All in One washing cycle.</p> |  |
| <p>Water leakage from the drip tray.</p> | <p>Drip tray full.</p> | <p>Empty the drip tray.</p> |  |
| <p>Machine is on but does not dispense anything (block situation with alarm on the display).</p> | <p>Wrong closing of product containers.</p> | <p>Check and close well the product containers.</p> |  |
| | <p>Grounds drawer not inserted.</p> | <p>Check and insert the drawer properly.</p> |  |
| | <p>Water supply connection problem.</p> | <p>Contact the Service centre.</p> |  |

11.1 HOW TO DETECT AN ERROR

93



Follow the instructions on the display.

11.2 OPERATING ALARMS

| MESSAGE | CAUSE | CONSEQUENCE | POSSIBLE SOLUTION |
|---------------------------|--|---|--|
| OPEN DOOR | Front door open. | Block of machine functions. | Close the front door. |
| GROUNDS BIN FULL | Grounds drawer full. | It is no longer possible to dispense beverages. | Empty the grounds drawer. |
| GROUND BIN OUT | The grounds drawer is no longer in position. | It is no longer possible to dispense beverages. | Insert the grounds drawer correctly. |
| MISSING COFFEE | There is no coffee in the containers. | It is no longer possible to dispense coffee-based drinks. | Refill the coffee bean container. |
| MISSING DECAFFEINATED | There is no decaffeinated coffee. It is required when dispensing drinks based on decaffeinated coffee. | It is no longer possible to dispense decaffeinated-coffee-based drinks. | Pour the decaf coffee (soluble) into the relevant chute. |
| DRIP TRAY NOT IN POSITION | The drip tray is no longer in position. | It is no longer possible to dispense beverages. | Insert the drip tray correctly. |
| DRIP TRAY FULL. | The drip tray is full. | It is no longer possible to dispense beverages. | Empty the drip tray. |
| MISSING MILK | There is no milk in the fridge (only displayed if the extra unit is present). | It is no longer possible to dispense milk-based drinks. | Fill the fridge tank with fresh milk. |
| MILK TANK OUT | The milk tank is no longer in position (only displayed if the extra unit is present). | It is no longer possible to dispense milk-based drinks. | Insert the milk tank correctly into the fridge. |

ATTENTION



For any other type of message or in case of alarms that switch off the machine, please contact the CARIMALI Service Centre.

12 DECOMMISSIONING AND DISPOSAL

This machine is compliant with the Directive 2012/19/EU.

WARNING



Should you decide not to use the machine any longer, unplug it and then make it inoperative by cutting off the power cord.

The disposal of the machine is not responsibility of the Manufacturer and must be carry out in compliance with the applicable regulations.

The Customer is held to:

- Disassemble the machine parts.
- Separate them according to material type.
- Deliver the material to the designated collection facilities.

WARNING



Follow the aforesaid disposal procedures, subject to penalties set forth in the applicable waste legislation.



Carimali S.p.A.

Via Industriale, 1

Chignolo d'Isola (BG)

24040 - ITALY

 +39 035 4949555

 +39 035 905447

 info@carimali.com

 carimali.com

