



# JOSPER COMBO CVJ



## CVJ-050-2-HJX-25

### ACCESSORIES INCLUDED

Firebreak · Firebreak hat · Grill racks · 2 Tongs · Poker for coal

### TECHNICAL INFORMATION

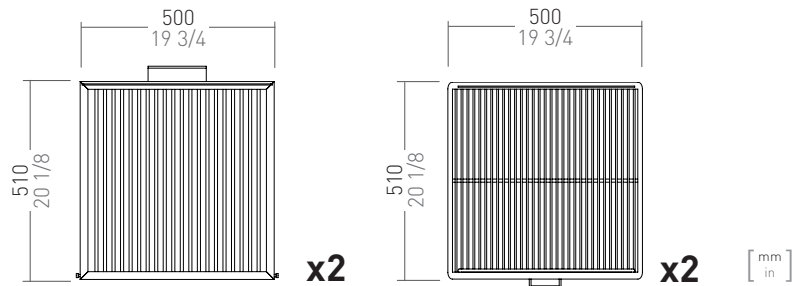
Total fire up time	30 min average	
Charcoal daily consumption	30 to 34 kg	66 to 75 lb
Broiling temperature	250 to 350 °C	482 to 662 °F
Nominal heat output	13,3 kW	18 hp
Net weight	627 kg	1382.3 lb

### INSTALLATION

Clearance with non-flammable equipment	100 mm	4 in
Clearance with flammable equipment	300 mm	12 in
Exhaust rate	6300 m <sup>3</sup> /h	3708 cfm

### BUNDLES: SIZES AND WEIGHTS

Sizes bundle	-	-
Gross weight bundle	-	-



Ed.04.2019 - Jasper reserves the right to make modifications to catalogues, pricelists and promotional material according to the development and improvements applied to its equipment.

# JOSPER COMBO CVJ



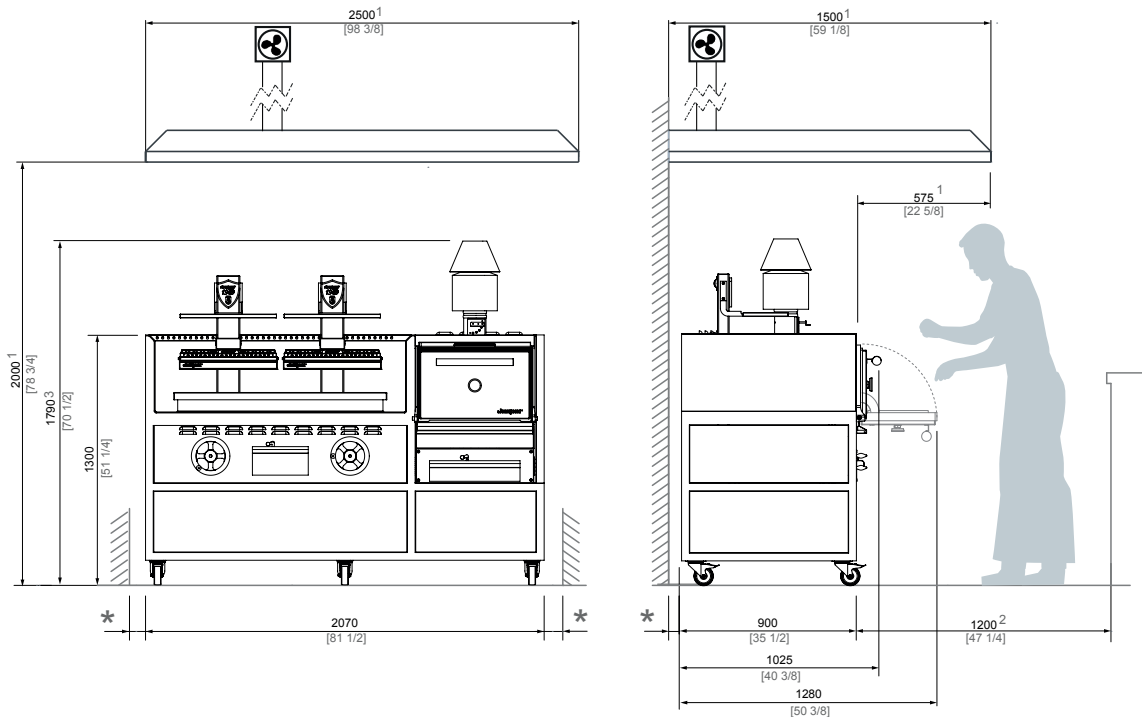
## HJX-25 TECHNICAL INFORMATION

Braising area	500 x 510 mm	19 3/4 x 20 1/8 in
Recommended for ±	80 diners	
Fire up time	30 min average	
Charcoal daily consumption	10 to 12 kg	22 to 26.5 lb
Performance	9h	
Production per hour	60 kg average	132 lb average
Grill rack capacity in GN trays	1xGN1/1	
Nominal heat output	8,8 kW	11.8 hp
Flue gas mass flow	19,36 g/s	0.68 oz/s



## PVJ-050-2 TECHNICAL INFORMATION

Braising area	500 x 510 mm (x2)	19 3/4 x 20 1/8 in (x2)
Grill stroke	290 mm	11 1/2 in
Fire up time	20 min average	
Charcoal daily consumption	20 to 22 kg	44 to 48.5 lb
Nominal heat output	4,5 kW	6 hp



\* MINIMUM DISTANCE TO FLAMMABLE ELEMENTS: 300 mm [12 in] / RECOMMENDED DISTANCE TO ANOTHER ELEMENTS: 100 mm [4 in]

1 RECOMMENDED HOOD'S MINIMUM DIMENSIONS

2 RECOMMENDED CHEF'S WORKING SPACE

3 THIS DISTANCE MAY BE MODIFIED BY THE SMOKE OUTLET SET CONFIGURATION.

[ mm  
in ]