



*CB 840*

# LIST OF THE EXPLODED VIEWS



*SHELL ASSY CB 840A / CB 840W*

*SHELL ASSY CB 840A DP*

*COOLING SYSTEM*

*HYDRAULIC CIRCUIT CB 840A / CB 840W*

*HYDRAULIC CIRCUIT CB 840A DP*

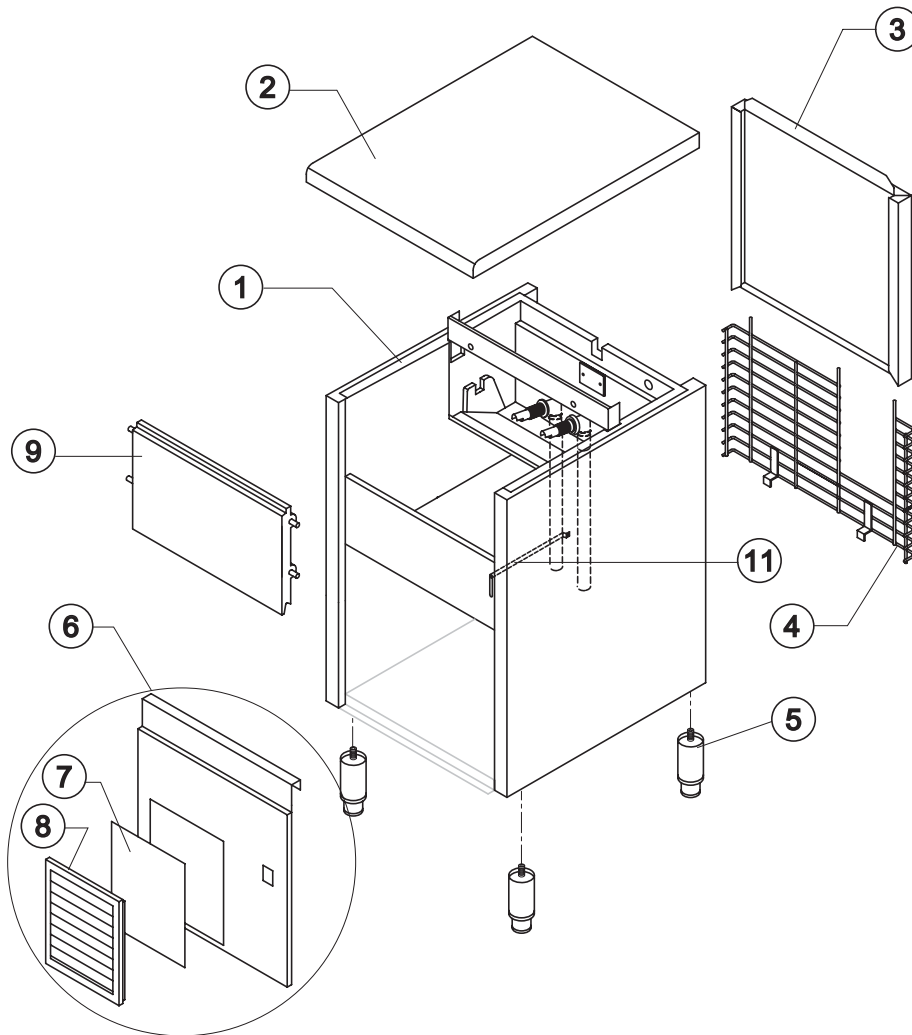
*ELECTRIC PARTS*



# CB 840

# SHELL ASSY

## CB 840A / CB 840W



| Ref. | Spare Description               | Code      |
|------|---------------------------------|-----------|
| 1    | Foamed Cabinet Assy             | See Table |
| 2    | Top Assembly                    | C22673    |
| 3    | Rear Panel Assembly             | C21184    |
| 4    | Rear Grid                       | D12015    |
| 5    | Adjustable Stainless Steel Foot | 20613     |
| 6    | Front Grid Panel                | C22509    |
| 7*   | Filtering Panel                 | 18106     |
| 8    | Frame + Grid & Filter           | C10205    |
| 9    | Door Assy                       | C10275    |
| 11   | Bulb-holder Pipe                | 20521     |

### Ref. 1 - Foamed Cabinet Assy

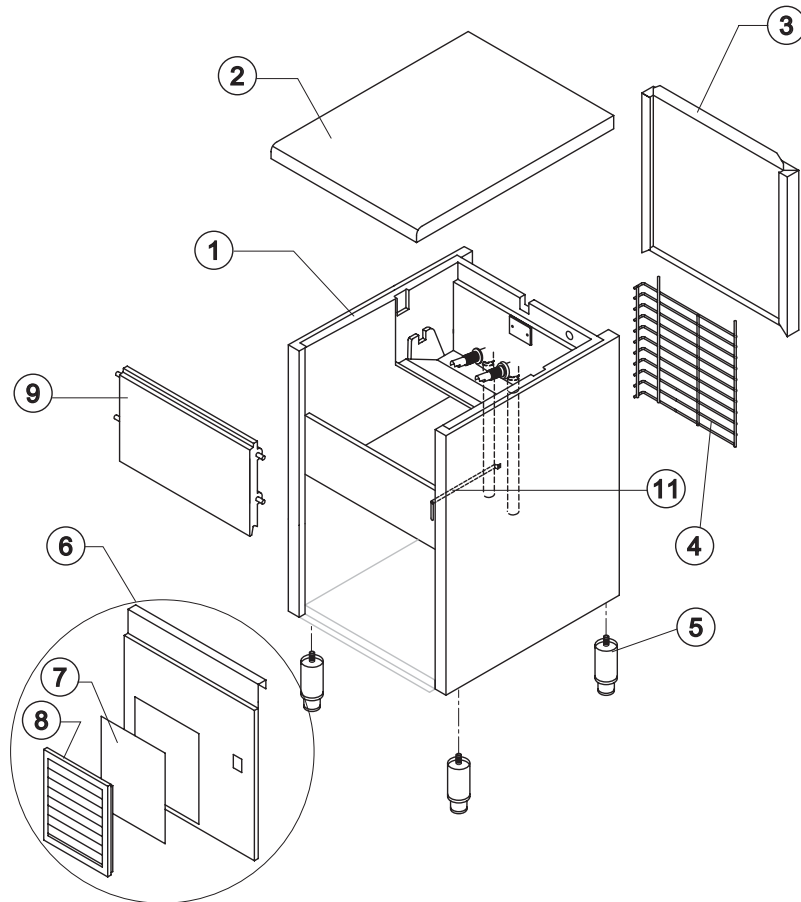
| Condensation | Code     |
|--------------|----------|
| Air          | RC11009A |
| Water        | RC11009W |

Rev. 15 - 07/03/2018



# CB 840

## SHELL ASSY CB 840A / CB 840W



| Ref. | Spare Description               | Code     |
|------|---------------------------------|----------|
| 1    | Foamed Cabinet Assy             | C11009DP |
| 2    | Top Assembly                    | C22673   |
| 3    | Rear Panel Assembly             | C21184   |
| 4    | Rear Grid                       | D12102   |
| 5    | Adjustable Stainless Steel Foot | 20613    |
| 6    | Front Grid Panel                | C22509   |
| 7*   | Filtering Panel                 | 18106    |
| 8    | Frame + Grid & Filter           | C10205   |
| 9    | Door Assy                       | C10275   |
| 11   | Bulb-holder Pipe                | 20521    |



# CB 840

# COOLING SYSTEM

## CB 840A / CB 840W / CB 840A DP

### Common Parts

| Ref. | Spare Description          | Code                                      |
|------|----------------------------|---|
| 5    | Sucking Fan                | 10213                                     |
| 6    | Fan Fixing Hub             | 10014                                     |
| 7    | Evaporator Cover Panel     | 10448                                     |
| 8    | Evaporator                 | See Table                                 |
| 9*   | Solid Core Drier           | 14089                                     |
| 10   | Compressor                 | See Table                                 |
| 11   | Vacuum-Charge Valve Body   | 14007                                     |
| 12*  | Vacuum-Charge Valve Device | 14005                                     |
| 13*  | Vacuum-Charge Valve Plug   | 14006                                     |
| 14*  | Hot Gas Valve Coil         | See Table                                 |
| 15*  | Hot Gas Valve Body         | 20410                                     |
| 16   | Suctin Line                | for the spare parts code give us the s/n. |

### Parts for Air-Cooled Version Only

| Ref. | Spare Description      | Code  |
|------|------------------------|-------|
| 1    | Air Condenser          | 20264 |
| 3    | Air Condenser Conveyor | 10163 |
| 4    | Sucking Fan            | 20031 |

### Parts for Water-Cooled Version Only

| Ref. | Spare Description | Code  |
|------|-------------------|-------|
| 2    | Water Condenser   | 14034 |

### Ref. 8 - Evaporator

| Kind of Cube     | Code   |
|------------------|--------|
| 18 g. (Standard) | D10047 |
| 33 g.            | D10090 |
| 13 g.            | D10418 |
| 42 g.            | D10480 |

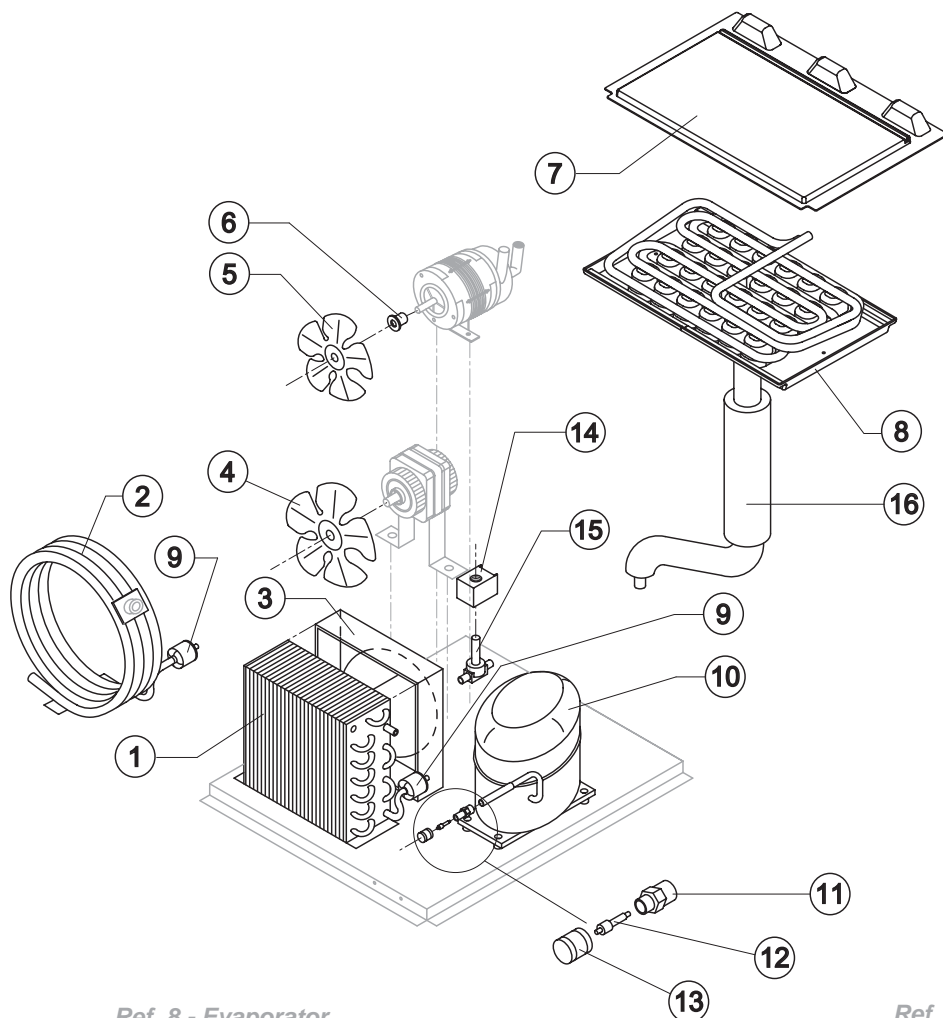
### Ref. 10 - Compressor

| Voltage | Code                   |
|---------|------------------------|
| T11     | 23875                  |
| T12     | 231307                 |
| T13     | 231155 current version |
| T13     | 23552 Till s/n. 712343 |

### Ref. 14\* - Hot Gas Valve Coil

| Voltage | Code   |
|---------|--------|
| T11     | 231294 |
| T12     | 231294 |
| T13     | 23256  |

Rev. 15 - 07/03/2018

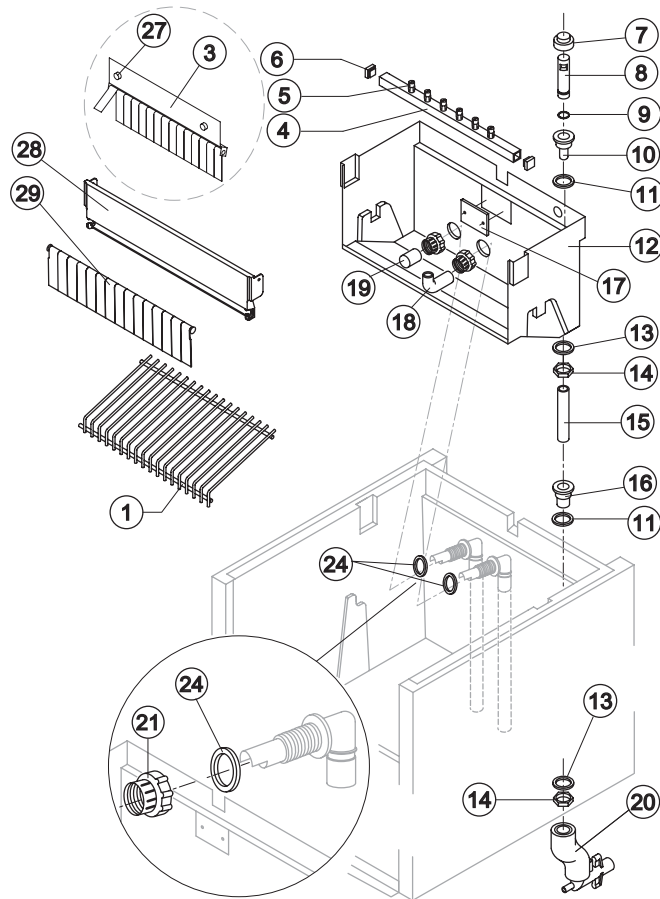




# CB 840

# HYDRAULIC CIRCUIT

## CB 840A / CB 840W



### Common Parts

| Ref. | Spare Description             | Code                       |
|------|-------------------------------|----------------------------|
| 1    | Ice Cubes Slide               | See Table                  |
| 3    | Flags Support Assy            | Till s/n. 815644<br>C22059 |
| 4*   | Sprayers Bar Assembly         | See Table                  |
| 5    | Sprayer                       | D20002                     |
| 6    | Sprayers Bar Plug             | 10012                      |
| 7*   | Overflow Cap                  | 10305                      |
| 8*   | Overflow Pipe                 | 10133                      |
| 9*   | OR Gasket for Overflow Pipe   | 20233                      |
| 10   | Overflow Pipe Nipple          | 10471                      |
| 11   | Silicone Gasket               | 13006                      |
| 12   | Inner Basin                   | 10034                      |
| 13   | Semirigid Polyethylene Gasket | 13007                      |
| 14   | Bin Discharge Nut             | 10096                      |
| 15*  | Overflow Pipe                 | 13109                      |
| 16   | Water Outlet Nipple           | 10472                      |
| 17   | Slide Keep Plate              | Till s/n. 227891<br>10009  |
| 18   | Sprayers Feeding Pipe         | 13005                      |
| 19*  | Pump Suction Filter           | 20005                      |
| 21   | Fittings Locking Ring         | 10405                      |
| 22   | Pump Suction/Delivery Pipe    | 13140                      |
| 27   | Fixing Screw                  | Till s/n. 815644<br>20009  |
| 28   | Flags ABS Support             | Current Version<br>10760   |
| 29   | Rod with Flags                | Current Version<br>C10775  |

### Ref. 1 - Ice Cube Slide

| Kind of Cube     | Code   |
|------------------|--------|
| 18 g. (Standard) | D12017 |
| 33 g.            | D12031 |
| 13 g.            | D12039 |
| 42 g.            | D12071 |

### Ref. 4\* - Sprayers Bar Ass.

| Kind of Cube     | Code   |
|------------------|--------|
| 18 g. (Standard) | C20058 |
| 33 g.            | C20156 |
| 13 g.            | C20190 |
| 42 g.            | C20802 |

### Parts for Air Cooled Version Only

| Ref. | Spare Description   | Code   |
|------|---------------------|--------|
| 20   | Discharges Manifold | C10006 |

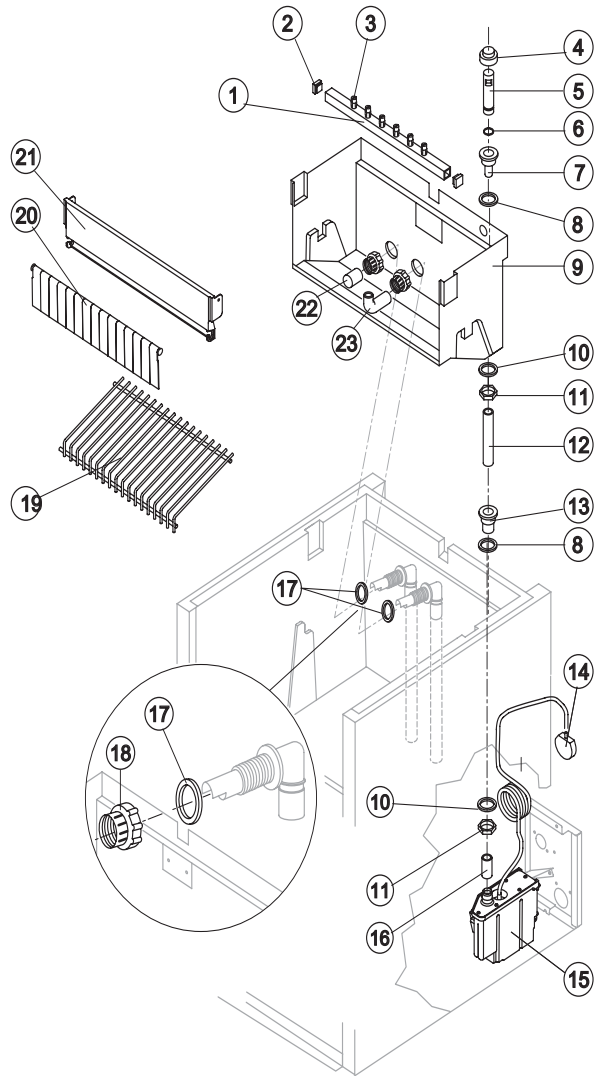
### Parts for Water Cooled Version Only

| Ref. | Spare Description   | Code   |
|------|---------------------|--------|
| 20   | Discharges Manifold | C26452 |



# CB 840

# HYDRAULIC CIRCUIT CB 840A DP



### Common Parts

| Ref. | Spare Description                      | Code      |
|------|--|-----------|
| 1*   | Sprayers Bar Assembly                  | See Table |
| 2    | Sprayers Bar Plug                      | 10012     |
| 3    | Sprayer                                | D20002    |
| 4*   | Overflow Cap                           | 10305     |
| 5*   | Overflow Pipe                          | 10133     |
| 6*   | OR Gasket for Overflow Pipe            | 20233     |
| 7    | Overflow Pipe Nipple                   | 10471     |
| 8    | Silicone Gasket                        | 13006     |
| 9    | Inner Basin                            | 10034     |
| 10   | Semirigid Polyethylene Gasket          | 13007     |
| 11   | Bin Discharge Nut                      | 10096     |
| 12*  | Overflow Pipe                          | 13109     |
| 13   | Water Outlet Nipple                    | 10472     |
| 14   | Drain Pump Pressure Switch             | C231230   |
| 15   | Drain Pump                             | C231225   |
| 16   | Bin Discharge-Drain Pump Connection    | C13175190 |
| 17   | Gasket for Pump Suction/Delivery Pipes | 13143     |
| 18   | Fittings Locking Ring                  | 10405     |
| 19   | Ice Cubes Slide                        | See Table |
| 20   | Rod with Flags                         | C10775    |
| 21   | Flags ABS Support                      | 10760     |
| 22*  | Pump Suction Filter                    | 20005     |
| 23   | Sprayers Feeding Pipe                  | 13005     |

### Ref. 1\* - Sprayers Bar Ass.

| Kind of Cube     | Code   |
|------------------|--------|
| 18 g. (Standard) | C20058 |
| 13 g.            | C20190 |

### Ref. 19 - Ice Cube Slide

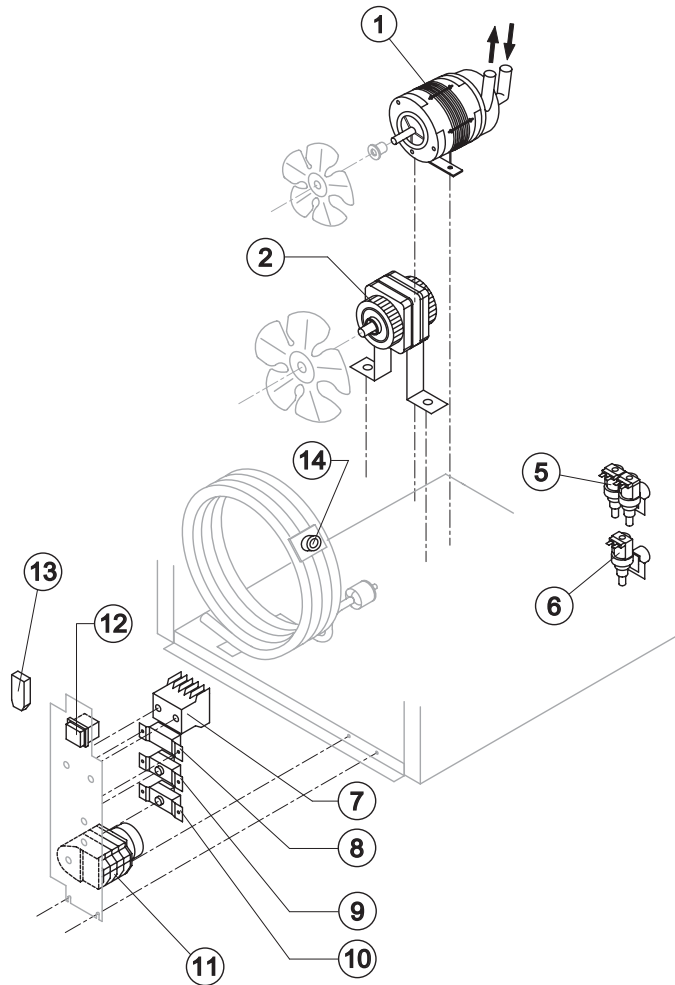
| Kind of Cube     | Code   |
|------------------|--------|
| 18 g. (Standard) | D12017 |
| 13 g.            | D12039 |



# CB 840

# ELECTRIC PARTS

## CB 840A / CB 840W / CB 840A DP



### Common Parts

| Ref. | Spare Description           | Code              |
|------|-----------------------------|-------------------|
| 1*   | Pump Assy                   | See Table         |
| 7    | Contactur                   | Only T13<br>23595 |
| 8*   | Condenser Pressure Switch   | 23175             |
| 9*   | Bin Thermostat              | R23005            |
| 10*  | Evaporator Themostat        | R23591            |
| 11*  | Timer                       | See Table         |
| 12*  | Green Light Switch (On-Off) | 23327             |

### Parts for Air-Cooled Version Only

| Ref. | Spare Description              | Code                        |
|------|--------------------------------|-----------------------------|
| 2*   | Fan Motor                      | See Table                   |
| 6*   | 1 Way- Water Inlet Valve       | See Table                   |
| 13   | Anti Radio Interference Filter | Only 220V/50-60Hz<br>C23459 |

### Parts for Water-Cooled Version Only

| Ref. | Spare Description              | Code                        |
|------|--------------------------------|-----------------------------|
| 5*   | 2 Ways- Water Inlet Valve      | See Table                   |
| 13   | Anti Radio Interference Filter | Only 220V/50-60Hz<br>C23457 |
| 14*  | Safety Thermostat              | C23114                      |

### Ref. 1\* - Pump Assy

| Voltage | Code   |
|---------|--------|
| T11     | C23377 |
| T12     | C23377 |
| T13     | C23663 |

### Ref. 2\* - Fan motor

| Voltage | Code  |
|---------|-------|
| T11     | 23067 |
| T12     | 23681 |
| T13     | 23621 |

### Ref. 5\* - 2 Ways- Water inlet

| Voltage | Cube 18g/13g | Cube 33g | Cube 42g |
|---------|--------------|----------|----------|
| T11     | 23010        | 23010    | 23781    |
| T12     | 23010        | 23781    | 23781    |
| T13     | 23261        | 23261    | 23758    |

### Ref. 6\* - 1 Way - Water Inlet

| Voltage | Cube 18g/13g | Cube 33g | Cube 42g |
|---------|--------------|----------|----------|
| T11     | 23001        | 23001    | 23220    |
| T12     | 23001        | 23220    | 23220    |
| T13     | 23410        | 23260    | 23281    |

### Ref. 11\* - Timer

| Voltage | 18g Cube | 33g Cube | 13g Cube | 42g Cube |
|---------|----------|----------|----------|----------|
| T11     | 23222    | 23248    | 23247    | 23780    |
| T12     | 231078   | 231080   | 231077   | 231080   |
| T13     | 23833    | 23259    | 23258    | 23786    |

Rev. 15 - 07/03/2018