



VM 900

LIST OF THE EXPLODED VIEWS

From s/n. 297566 up Today



SHELL ASSY

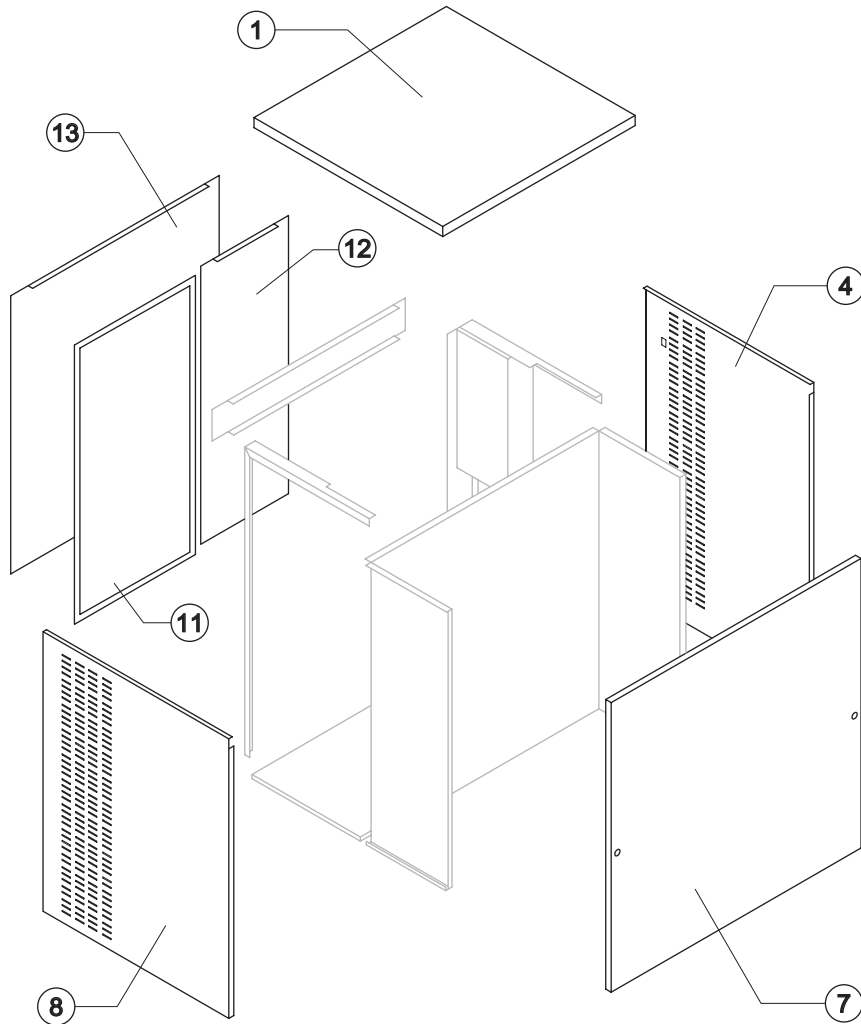
COOLING SYSTEM

HYDRAULIC CIRCUIT

SPRAYER PUMP

ELECTRIC PARTS

Rev. 13 - 29/05/2018



Common Parts

| Ref. | Spare Description | Code |
|------|----------------------|--------|
| 1 | Top Assembly | C22813 |
| 4 | Right Side Panel | 22408 |
| 7 | Front Panel Assembly | C22816 |
| 8 | Left Side Panel | 22822 |
| 10 | Rear Cross Bar | 22817 |

Parts for Air-Cooled Version Only

| Ref. | Spare Description | Code |
|------|-------------------|-------|
| 11* | Filter | 18166 |
| 12 | Rear Panel | 21287 |

Parts for Water-Cooled Version Only

| Ref. | Spare Description | Code |
|------|-------------------|-------|
| 13 | Rear Panel | 21285 |

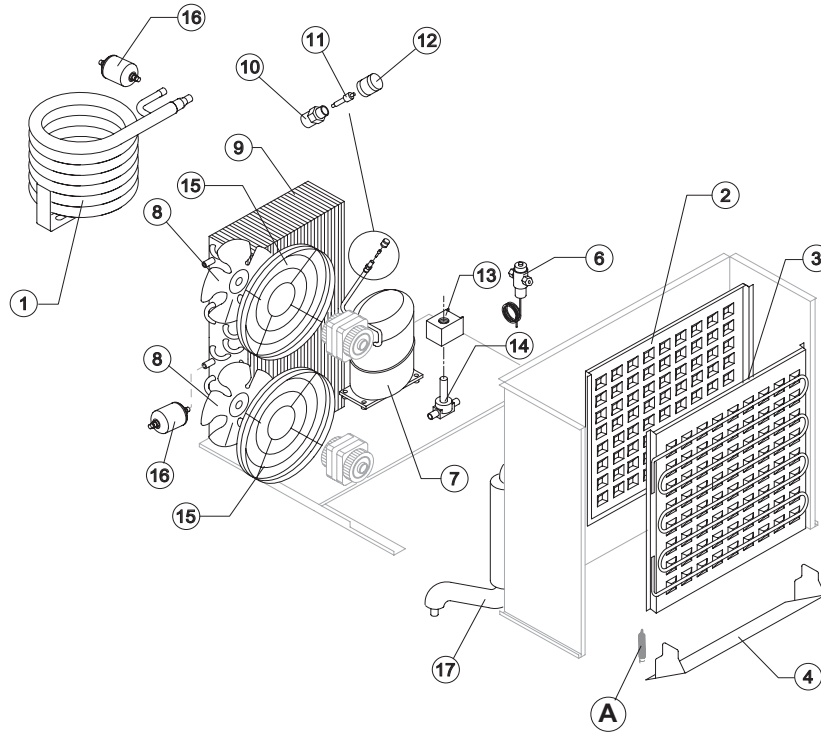


VM 900

From s/n. 297566 up Today

COOLING SYSTEM

Till s/n. 515427



Common Parts

| Ref. | Spare Description | Code |
|------|----------------------------|---|
| 2 | Evaporator (Back) | D10227 |
| 3 | Evaporatore (Front) | D10228 |
| 4 | Horizontally Hinged Panel | 22608 |
| 7 | Compressor | See Table |
| 10 | Vacuum-Charge Valve Body | 14007 |
| 11* | Vacuum-Charge Valve Device | 14005 |
| 12* | Vacuum-Charge Valve Plug | 14006 |
| 13* | Hot Gas Valve Coil | See Table |
| 14* | Hot Gas Valve Body | 20409 |
| 16* | Liquid Line Drier | 14084 |
| 17 | Suctin Line | for the spare parts code give us the s/n. |

Parts for Air-Cooled Version Only

| Ref. | Spare Description | Code |
|------|-------------------|-------|
| 8 | Sucking Fan | 20407 |
| 9 | Air Condenser | 20838 |
| 15 | Fan Motor Grid | 12056 |

Parts for Water-Cooled Version Only

| Ref. | Spare Description | Code |
|------|--------------------|------------------------|
| 1 | Water Condenser | Current Version 14660 |
| 1 | Water Condenser | Till s/n. 515427 14285 |
| 6 | Pressostatic Valve | 20149 |

! Eliminated the Spring (horizontally hinged panel) ref. A, suggested removal even from the models where they are present.

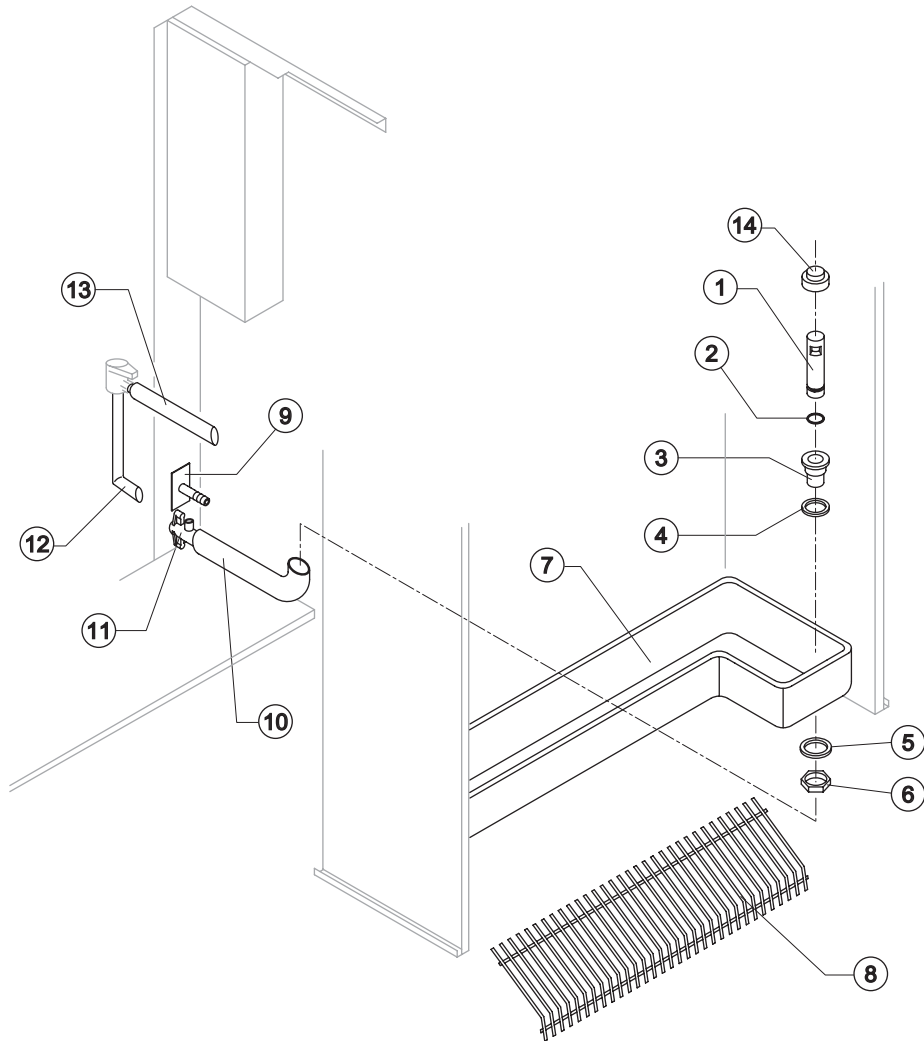
Ref. 7 - Compressor

| Voltage | Code | |
|---------|-----------------|-----------------------|
| | Current Version | Code till s/n. 661502 |
| T11 | 231079 | 23647 |
| T12 | 231081 | 23651 |
| T15 | 231085 | 23709 |
| T16 | 231083 | 23708 |

Ref. 13* - Hot Gas Valve Coil

| Voltage | Code | |
|---------|--------|--------|
| | T11 | 231294 |
| T12 | 231294 | |
| T15 | 231294 | |
| T16 | 231294 | |

Rev. 13 - 29/05/2018



Common Parts

| Ref. | Spare Description | Code |
|------|---|--------|
| 1* | Overflow Pipe | 10399 |
| 2* | OR Gasket for Overflow Pipe | 20233 |
| 3 | Overflow Pipe Nipple | 10471 |
| 4 | Silicone Gasket | 13006 |
| 5 | Semirigid Polyethylene Gasket | 13007 |
| 6 | Bin Discharge Nut | 10096 |
| 7 | Water Basin | 10395 |
| 8 | Ice Cubes Slide | D12057 |
| 10 | Overflow Pipe Nipple | 13120 |
| 11 | Drain Nipple | 10431 |
| 12 | Discharge Valve Connection Pipe - Discharge | 13040 |
| 13 | Discharge Valve Connection Pipe ("T"Shaped) | 13102 |
| 14* | Overflow Cap | 10305 |

Parts for Water-Cooled Version Only

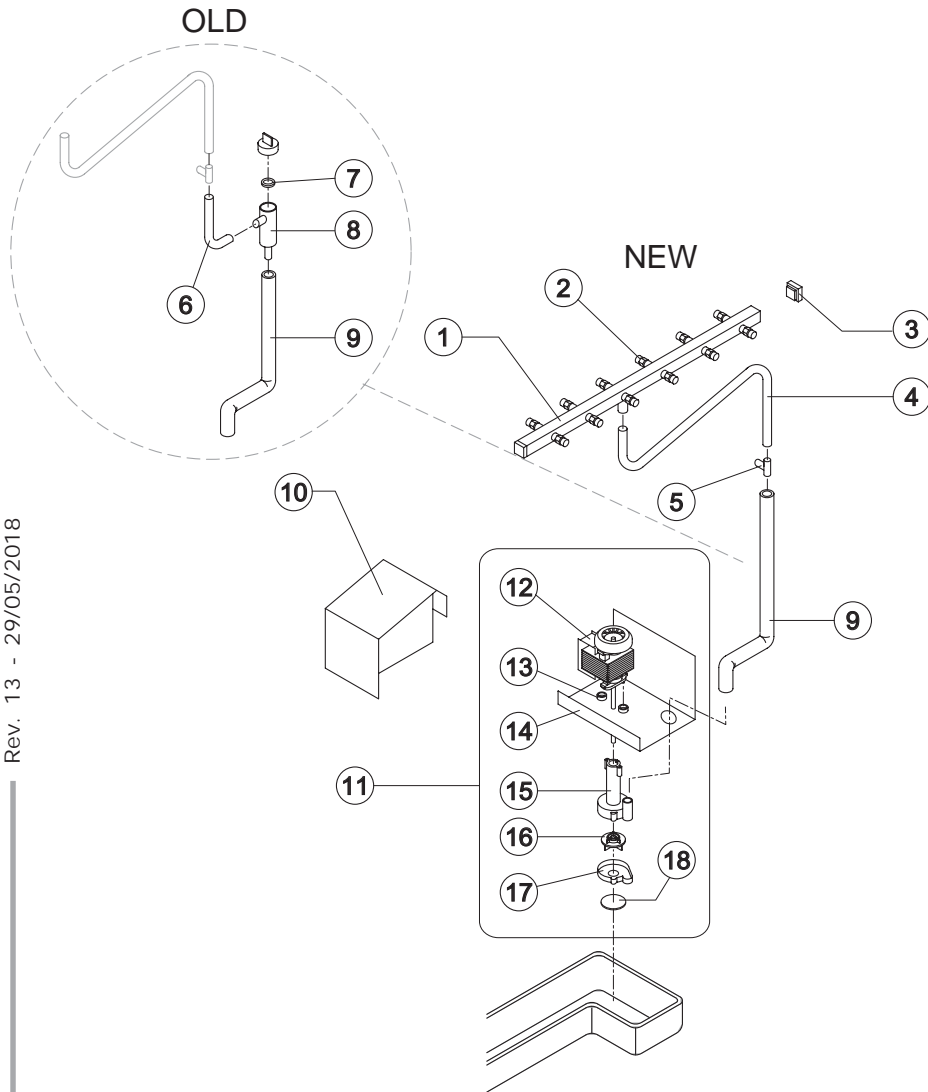
| Ref. | Spare Description | Code |
|------|-----------------------|--------|
| 9 | Conenction with Plate | C20462 |



VM 900

From s/n. 297566 up Today

SPRAYER PUMP



| Ref. | Spare Description | Code |
|------|---|-------------------|
| 1* | Sprayers Bar Assembly | C20617 |
| 2 | Sprayer | D20002 |
| 3 | Sprayers Bar Plug | 10012 |
| 4 | Sprinkler Ba Connection Pipe ("T" Shaped) | 13134 |
| 5 | Plastic "T" ø 20 | 10082 |
| 6 | Sprayers Feeding Pipe | OLD version 13005 |
| 7 | Pump Filter Gasket | OLD version 13080 |
| 8 | Pump Filter | OLD version 10139 |
| 9 | "T" - Pump Connection Pipe | See Table |
| 10 | Protection Pump Panel | 22804 |
| 11* | Pump Assembly | See Table |
| 12 | Pump | See Table |
| 13 | Pump Motor Shim | 20510 |
| 14 | Pump Motor Support | 22799 |
| 15 | Pump Body | 10065 |
| 16 | Pump Impeller | See Table |
| 17 | Diffusor | 10067 |
| 18 | Pump Filter | 20518 |

Ref. 9 - "T"-Pump Connection Pipe

| Version | Code |
|---------|-------|
| NEW | 13113 |
| OLD | 13157 |

Ref. 11* - Pump Assy

| Voltage | Code |
|---------|--------|
| T11-T15 | C23626 |
| T12-T16 | C23627 |

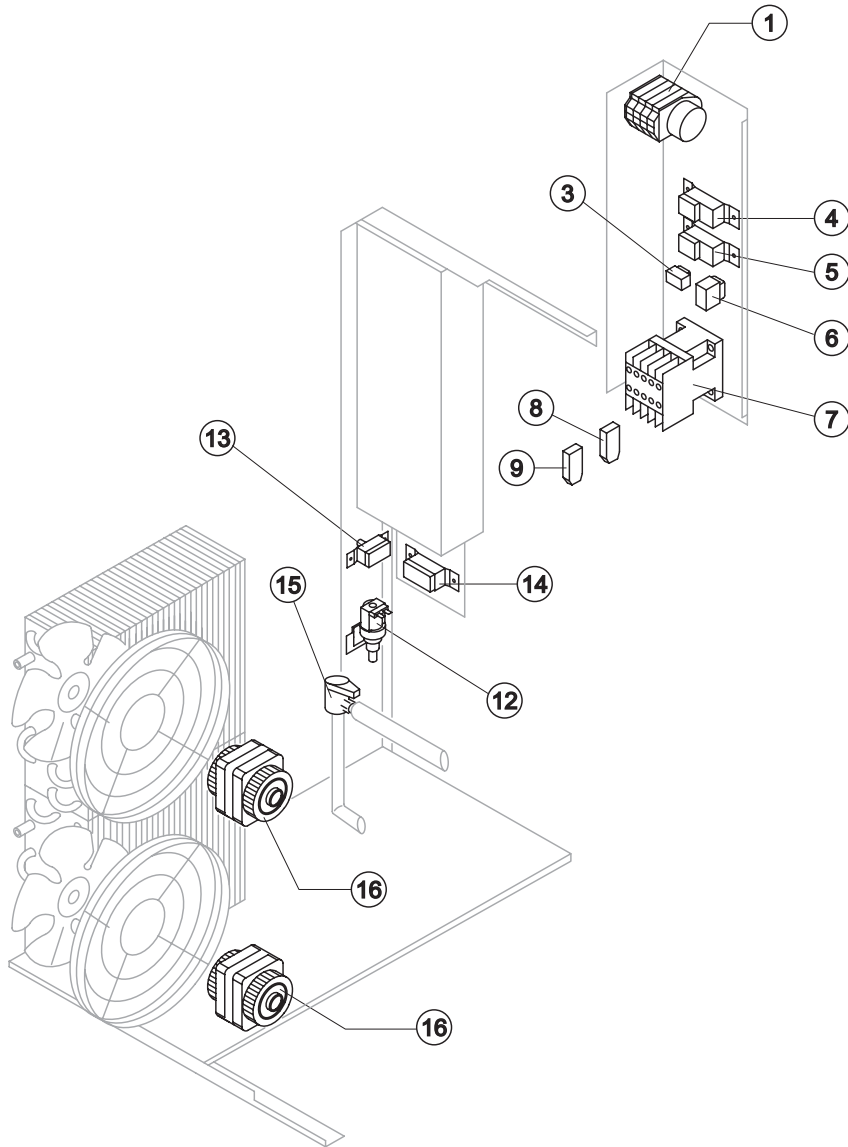
Ref. 12 - Pump

| Voltage | Code |
|---------|-------|
| T11-T15 | 23600 |
| T12-T16 | 23601 |

Ref. 16 - Pump Impeller

| Voltage | Code |
|---------|-------|
| T11-T15 | 10066 |
| T12-T16 | 10138 |

Rev. 13 - 29/05/2018



Common Parts

| Ref. | Spare Description | Code |
|------|-----------------------------|-----------|
| 1* | Timer | See Table |
| 3 | "Cleaning" Switch | 23619 |
| 4* | Bin Thermostat | R23005 |
| 5* | Evaporator Thermostat | R23597 |
| 6* | Green Light Switch (On-Off) | 23327 |
| 7* | Contactor | See Table |
| 12* | 1 Way- Water Inlet Valve | 23623 |
| 13 | Safety Pressure Switch | 23342 |
| 15* | Water Outlet Valve | 23537 |

Parts for Air-Cooled Version Only

| Ref. | Spare Description | Code |
|------|--------------------------------|--------------------|
| 8 | Anti Radio Interference Filter | Only T11 C23459 |
| 9 | Anti Radio Interference Filter | Only T11 C23458 |
| 14* | Condenser Pressure Switch | 23175 |
| 16* | Fan Motor | 23121 |

Ref. 1* - Timer

| Voltage | Code |
|---------|-------|
| T11-T15 | 23635 |
| T12-T16 | 23632 |

Ref. 7* - Contactor

| Voltage | Code |
|---------|-------|
| T11-T15 | 23147 |
| T12-T16 | 23963 |