



Traditionally Innovative

DIVIFORM DIVIFORM+



EN – FR – DE – NL – RU – ES – IT – AR

V01-07-2017

DIVIFORM DIVIFORM+

| | |
|--|--|
| EN- Translation of original user instructions | |
| Chute continuous cut slicer | 5 |
| FR- Notice d'utilisation originale | |
| Diviseuse-formeuse Diviform- Diviform+ | 17 |
| DE- Übersetzung der Originalanleitung | |
| Teigteiler-Formgebung Diviform- Doviform+ | 27 |
| NL- Vertaling van de originele gebruikershandleiding | |
| Vormverdelers Diviform- Doviform+ | 37 |
| RU. Перевод оригинального руководства по эксплуатации | |
| Делители-формовщики Diviform — Diviform+ | 47 |
| ES- Traducción del manual de uso original | |
| Divisoras-moldeadoras Diviform- Doviform+ | 59 |
| IT- Traduzione delle informazioni sull'utilizzo originali | |
| Spezzatrici-Formatrici Diviform- Diviform+ | 69 |
| 79 | Diviform - Doviform+ قطاعة وتشكيل العجين عربي - ترجمة دليل الاستخدام الأصلي |

| | | |
|-----------|---|-----------|
| 1 | BEFORE COMMISSIONING | 6 |
| 2 | WARRANTY | 6 |
| 3 | WARNING..... | 7 |
| 4 | TECHNICAL SPECIFICATIONS | 8 |
| 4.1 | Technical specifications | 8 |
| 4.2 | Details of materials in direct contact with dough..... | 8 |
| 4.3 | Shaped grid: Teflon + Polyoxymethyl Details of materials in direct contact with the bread. | 8 |
| 5 | INSTALLATION AND COMMISSIONING | 8 |
| 5.1 | Unpacking the machine: | 8 |
| 5.2 | Positioning: | 9 |
| 5.3 | Electrical connection: | 9 |
| 5.4 | Commissioning:..... | 9 |
| 5.5 | Commissioning:..... | 10 |
| 5.6 | Danger: | 10 |
| 6 | CONTROLS AND SAFETY FEATURES..... | 10 |
| 6.1 | Controls:..... | 10 |
| 6.2 | Work area: | 10 |
| 6.3 | Safety features:..... | 10 |
| 7 | OPERATION..... | 11 |
| 8 | MAINTENANCE..... | 12 |
| 8.1 | Daily, by a trained operator. | 12 |
| 8.2 | Every 25,000 loaves and/or at least once a year, by an approved agent. | 12 |
| 8.3 | Blade replacement..... | 12 |
| 9 | CONSUMABLES | 13 |
| 9.1 | List of CONSUMABLES..... | 13 |
| 10 | MALFUNCTIONS | 14 |
| 11 | LIST OF COMPONENTS IN ILLUSTRATIONS..... | 15 |

1 BEFORE COMMISSIONING

Thank you for choosing a JAC system. It is essential that you read these instructions before installing and commissioning this machine. This will protect you and avoid damaging your machine.

These instructions refer to various illustrations in order to make them easier to understand. These illustrations are at the end of the instructions. Please refer to them whenever you see the following symbols: (fig.X, n°Y).

To ensure that your machine gives you full satisfaction over the coming years, we invite you to familiarise yourself with the following advice:

- Enlist the help of your approved agent for installation, commissioning and service support.
- In order to be covered by the 5-year warranty (see terms and conditions set out below), please have your dealer fill in the service booklet when your machine is installed. The service booklet is at the back of your machine.

2 WARRANTY



All JAC products are covered by a 5-year warranty.

This warranty is valid for all parts on your machine, including electronic components but excluding consumables. The warranty takes effect on the date the equipment is installed.

Subject to the following restrictive conditions:

- Equipment acquired from an approved dealer;
- Installation carried out by an approved agent;
- Equipment used in accordance with the instructions for use and for the intended purpose for which it was manufactured;
- Equipment serviced on a daily basis in compliance with the instructions for use;
- Regular servicing by the approved agent in compliance with service specifications, with at least one service per year (servicing chargeable to the user).
- Exclusive use of genuine JAC parts.



If there is no record of servicing by an approved agent and/or if the service booklet has not been filled in correctly, warranty cover will be limited to one year.

This warranty does not cover:

- Replacement of consumables (§9);
- Parts not accepted as defective by our company;
- Problems due to improper use of the equipment;
- Problems due to installation not carried out by an approved agent;
- Parts or problems due to transit damage or improper handling.

Repairing and/or replacing defective parts during the warranty period does not bring about an extension of said warranty.

3 WARNING

It is most important that these user instructions be kept with the machine for future reference. Should this machine be sold or transferred to another user, please ensure that the user instructions are handed over so that the new user can be familiarised with its operation and the associated warnings.



These warnings are given for your safety and that of others. We would therefore ask you to read them carefully before installing and using the machine.

This machine has been designed for use by authorised adults. Please therefore ensure that children do not touch it or use it as a toy.

This machine is intended exclusively for professional use.

It is dangerous to modify or attempt to modify the specifications of this machine.

After having installed this machine, please ensure that it is not standing on the power cable.

Follow the instructions given for its use.

This machine must be stored and used in an indoor room, protected from moisture and heat.

This machine must be adequately illuminated to operate it.

The noise level of this machine does not exceed 70 dB(A) in accordance with EN ISO 3744.

This machine must be used by one person at a time (unless otherwise specified).



Always disconnect the mains supply before cleaning the machine inside/outside and when carrying out maintenance.

This machine is heavy. Take all necessary safety precautions when handling it.

4 TECHNICAL SPECIFICATIONS

4.1 Technical specifications

| | DIVIFORM | DIVIFORM+ |
|---|-------------------------------------|-----------|
| Height with lid open or grid open | 1680 | 1761 |
| Width (mm) | 600 | |
| Depth (mm) | 810 | |
| Packaging (mm) | 790x880x1310 | |
| Net weight (kg) | 260 | 285 |
| Net weight + packing (kg) | 280 | 305 |
| Motor power rating (kW) | 1.5 | |
| Motor type | Three-phase | |
| 220 V - 50 Hz (A) | 8 | |
| 380 V - 50 Hz (A) | 4.5 | |
| Dividing-moulding production rate (pieces/h) | 400 to 3,000 depending on grid type | |
| Dividing-moulding dough piece min./max. weights (g) | 19 to 1,000 depending on grid type | |
| Tank capacity (kg) | 5 | |

The hydration rate for optimum operation is:
a minimum of 55% for the Diviform+
a minimum of 70% for the Diviform

4.2 Details of materials in direct contact with dough.

Square tank: STAINLESS STEEL 304
Lid: Aluminium AlSi10Mg

4.3 Shaped grid: Teflon + Polyoxymethyl Details of materials in direct contact with the bread.

Loading ramp: STAINLESS STEEL 430
Last loaf pusher: STAINLESS STEEL 430
Loaf holder: STAINLESS STEEL 430
Blades: Steel
Outfeed table: STAINLESS STEEL 430

5 INSTALLATION AND COMMISSIONING

5.1 Unpacking the machine:

Machines are delivered from our works on pallets, strapped and protected with cardboard. First of all, the packaging must be examined and any damage caused in transit must be declared directly to the carrier.

- A. Remove the cardboard.
- B. Remove the side casings from the machine in order to gain access to the screws securing the machine to the pallet.
- C. Detach the machine from its pallet by removing the 4 screws immobilising the machine (fig.4).

- D. Take the machine off the pallet. Make sure you do this with at least two people in order to lower it as gently as possible onto the floor.
- E. Fit the frame onto its mounting, ensuring the spring is on the correct side (fig.5).
- F. EASYFLOUR OPTION: Install the flour dispenser (fig.6) and fill it (fig.7) with flour

After unpacking your machine, check that it has not been damaged in transit. Notify us of any defects.

5.2 Positioning:

In order to achieve excellent performance and long-term reliability, choose a location that is:

Well ventilated, shielded from direct sunlight and away from sources of heat, with a flat and sturdy surface free from vibration.

5.3 Electrical connection:

IMPORTANT: This machine must be earthed.

It is recommended that the system be protected with a fuse and an RCD.

Your mains electricity supply to the machine must be protected as indicated below:

- North America: 15 A protection;
- Rest of the world: 16 A protection.

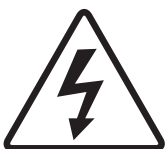
For machines equipped with a variable speed drive, it is imperative that they be connected to a junction box on a circuit fitted with a 300 mA RCD.

Note: Any problem resulting from any other type of connection will not be covered under warranty.

Before connecting your machine to the mains supply and in order to prevent the motor from burning out when it is switched on, it is important to check that the mains supply matches the machine specification (see machine nameplate).

This machine complies with Machinery Directives 2006/42, 2014/35, 2014/30 and is CE-marked as proof of this compliance.

Please familiarise yourself with the safety pictograms displayed on the machine:



This pictogram indicates an electrocution hazard. Please isolate the machine before carrying out any work on it. You will find it inside the machine on the electrical enclosure (fig.12, n°14).

You will find the circuit diagram for the machine inside the left-hand door of the divider (fig.12, n°15).

5.4 Commissioning:

Before commissioning, ensure that there are no extraneous objects interfering with the machine's moving parts.

Ensure first of all (after verifying electrical compatibility) that the motor is rotating in the right direction, if so, the head will rise when you pull the control lever towards you. If this is not the case, disconnect the plug and switch 2 phases in it.

FULLMATIC OPTION: When the power is switched on, the green button flashes; press to start initialisation. If the head does not rise during this stage and the indicator flashes rapidly, disconnect the plug and switch 2 phases in it.

For machine operation, please refer to the “Operation” chapter

5.5 Commissioning:

Before commissioning, ensure that there are no extraneous objects interfering with the machine’s moving parts.

For machine operation, please refer to the “Operation” chapter.

5.6 Danger:

If the user or the machine is in danger, you must use the main isolator switch to cut the power supply to the machine.

Remove the plug from the power socket before any maintenance and/or servicing work.

Any maintenance work or replacement of parts must be carried out by an approved agent.

6 CONTROLS AND SAFETY FEATURES

6.1 Controls:

(fig.2)

Your machine is equipped as standard with a mechanical control panel (fig.2).

6.2 Work area:

The pressure setting area is on the right-hand side of the machine (DIVIFORM+) (fig.6, n°13).

FULLMATIC OPTION: the pressure time setting area and the half tank/full tank selector is located at the front of the machine (fig.2)

6.3 Safety features:

The work area is at the front of the machine (fig.3, n°12).

DIVIFORM dividing-moulding operating procedure (fig.9, 10)

- A. Twist the mushroom (emergency stop) button (fig.2, n°10) ¼ turn to the right if it has not been released.
- B. Place the coarse tamping plate in the bottom of the tank.
- C. If necessary, dust the top of the of the coarse tamping plate lightly with flour.
EASYFLOUR OPTION: Dust the top of the plate in the tank lightly with flour using Easyflour.
- D. Empty the dough into the tank and spread it around by hand.
EASYFLOUR OPTION: Dust the top of the dough lightly with flour using Easyflour.
- E. Close the frame.
- F. Pull the handle to divide the dough.
- G. Push the lever briefly in order to decompress so that you can open the lid.
- H. Open the frame.
- I. Pull the lever to raise the head and recover the dough pieces.

The emergency stop button stops a cycle in progress.

FULLMATIC OPTION: DIVIFORM dividing-moulding operating procedure (fig.9, 11)

- A. Twist the mushroom (emergency stop) button (fig.2, n°10) ¼ turn to the right if it has not been released.
- B. Place the coarse tamping plate in the bottom of the tank.
- C. If necessary, dust the top of the of the coarse tamping plate lightly with flour.
EASYFLOUR OPTION: Dust the top of the plate in the tank lightly with flour using Easyflour.
- D. Empty the dough into the tank and spread it around by hand.
EASYFLOUR OPTION: Dust the top of the dough lightly with flour using Easyflour.
- E. Close the frame to raise the head and divide the dough.
- F. When the indicator lights up again, open the frame.
- G. Collect the dough pieces.

DIVIFORM+ dividing-moulding operating procedure (fig.12, 13,14)

- A. Twist the mushroom (emergency stop) button (fig.2, n°10) ¼ turn to the right if it has not been released.
- B. Open the lid.
- C. Place the coarse tamping plate in the bottom of the tank.
- D. If necessary, lightly flour the top of the coarse tamping plate.
EASYFLOUR OPTION: Dust the top of the plate in the tank lightly with flour using Easyflour.
- E. Empty the dough into the tank and spread it around roughly by hand.
EASYFLOUR OPTION: Dust the top of the dough lightly with flour using Easyflour.
- F. Close the tank lid.
- G. You can set the tamping pressure on the right-hand side of the machine.
- H. Pull the control lever to raise the head and tamp the dough.
- I. Push the lever briefly in order to decompress so that you can open the lid.
- J. Open the lid.
- K. Close the frame.
- L. Pull the handle to divide the dough.
- M. Push the lever briefly in order to decompress so that you can open the lid.
- N. Open the frame.
- O. Pull the lever to raise the head and recover the dough pieces.

The emergency stop button stops a cycle in progress.

FULLMATIC OPTION: DIVIFORM+ dividing-moulding operating procedure (fig.12, 15)

- A. Twist the mushroom (emergency stop) button (fig.2, n°10) ¼ turn to the right if it has not been released.
- B. Open the lid.
- C. Place the coarse tamping plate in the bottom of the tank.
- D. If necessary, dust the top of the of the coarse tamping plate lightly with flour.
EASYFLOUR OPTION: Dust the top of the plate in the tank lightly with flour using Easyflour.
- E. Empty the dough into the tank and spread it around roughly by hand.
EASYFLOUR OPTION: Dust the top of the dough lightly with flour using Easyflour.
- F. You can adjust the tamping pressure using the pressure setting handle located on the right-hand side of the machine and the tamping time using the button on the front.
- G. Close the lid to raise the head and tamp the dough.
- H. When the indicator lights up again, open the lid.
- I. Close the frame to raise the head and divide the dough.
- J. When the indicator lights up again, open the frame.
- K. Collect the dough pieces.

Click&Cut system grid changing procedure (fig.16)

- A. Close the frame.
- B. Open the grid compartment by releasing the catch on the left-hand side of the frame.
- C. Open the grid compartment flap.
- D. Remove the old grid.
- E. Insert the new grid.

EASYFLOUR OPTION: Easyflour flour dispenser filling procedure (fig.7)

- A. Open the flour dispenser lid.
- B. Empty the flour into the flour dispenser filling area.
- C. Close the flour dispenser lid.
- D. Set the flour dispenser flow rate using the cursor.

8 MAINTENANCE

8.1 Daily, by a trained operator.

Place the tray in the lowered position and clean the tank.

Pull the lever to raise the tray and clean out dough and flour residues with a vacuum cleaner.

FULLMATIC OPTION:

Place the tray in the lowered position and clean the tank.

Press the green button to raise the head and clean out dough and flour residues with a vacuum cleaner.

8.2 Every 25,000 loaves and/or at least once a year, by an approved agent.

Wash the entire body with a damp cloth.

Operate the emergency stop and remove the side doors using a screwdriver.

Using a vacuum cleaner, clean all over the inside of the machine as well as the mechanical components.

Refit the side doors.

8.3 Blade replacement.

Place the tray in the lowered position.

Operate the emergency stop and remove the right-hand side door using a screwdriver.

Check oil level. (The level must be between 4 and 5 cm from the top edge of the aluminium flange).

NOTE: Below you will find a non-exhaustive list of compatible hydraulic oils:

| | |
|---------|--------------|
| CONDAT | HYDROLUB S46 |
| ELF | HYDRELF DS46 |
| CASTROL | AYSPIN AWS46 |
| TOTAL | AZOLLA ZS32 |

Check that your approved agent has recorded his work in your service booklet in order to maintain your 5-year warranty cover.

9 CONSUMABLES

When ordering spare parts, check with your approved agent which part is required based on the spare parts catalogue issued by the manufacturer.

Always quote the machine serial number shown on the nameplate.

Your agent will place the orders with JAC.

9.1 List of CONSUMABLES

| ITEM CODE | NEW DESCRIPTION | MODEL |
|------------------|------------------------|--------------|
| F1500004 | LID SPRING | DIVIFORM+ |
| 10040012 | WEAR PLATE | ALL |
| HUILEHYDROS46 | HYDRAULIC OIL | ALL |
| F140000311 | DOUBLE EXCENTRIC | ALL |
| F1513364 | RH CLICK&CUT SPRING | ALL |
| F1513326 | LOCK PIN | ALL |

10 MALFUNCTIONS

WARNING: The machine must be isolated from the power supply before attempting any work on it.

| Problem | Check |
|--|--|
| The machine will not start | Check the main power supply and the power supply to the motor. Check whether the thermal cut-out has tripped. |
| The hydraulic power pack starts up but the head does not rise | Switch 2 phases on the machine plug. |
| Machine lacks power | Check oil level. The level must be between 4 and 5 cm from the top edge. |
| The head rises but the knives do not extend | Contact your technician. |
| Oil on the floor | Contact your technician. |
| FULLMATIC OPTION: The green indicator flashes rapidly | Activate the emergency stop |



Should the problem persist, please contact your technician.

11 LIST OF COMPONENTS IN ILLUSTRATIONS

| Figure | Item | Description |
|--------|------|--|
| 1 | 1 | Easylock grid locking system |
| | 2 | Tank |
| | 3 | Tank bottom |
| | 4 | Protection handle |
| | 5 | Braked castor |
| | 6 | Pressure plate (DIVIFORM+) |
| | 7 | Frame |
| | 8 | Door handle |
| | 9 | Pressure setting (DIVIFORM+) |
| 2 | 10 | Emergency stop |
| | 11 | Tank bottom raise or lower lever |
| 3 | 12 | Work area |
| 6 | 13 | Pressure setting lever (DIVIFORM+) |
| 12 | 14 | Pictogram indicating an electrocution hazard |
| | 15 | Circuit diagram |

| | | |
|-----------|--|-----------|
| 1 | AVANT LA MISE EN SERVICE..... | 18 |
| 2 | GARANTIE..... | 18 |
| 3 | AVERTISSEMENTS | 19 |
| 4 | CARACTERISTIQUES TECHNIQUES..... | 20 |
| 4.1 | Caractéristiques techniques..... | 20 |
| 4.2 | Détail des matériaux en contact direct avec la pâte..... | 20 |
| 5 | INSTALLATION ET MISE EN SERVICE..... | 20 |
| 5.1 | Déconditionnement de la machine | 20 |
| 5.2 | Emplacement | 21 |
| 5.3 | Raccordement électrique..... | 21 |
| 5.4 | Mise en service | 21 |
| 5.5 | Danger | 22 |
| 6 | ORGANE DE COMMANDE ET DE SECURITE | 22 |
| 6.1 | Organe de commande | 22 |
| 6.2 | Zone de réglage | 22 |
| 6.3 | Zone de travail | 22 |
| 7 | UTILISATION..... | 22 |
| 8 | ENTRETIEN | 24 |
| 8.1 | Journalier par un utilisateur formé | 24 |
| 8.2 | Hebdomadaire par un utilisateur formé..... | 24 |
| 8.3 | Semestriel par un agent agréé | 24 |
| 9 | CONSOMMABLES..... | 25 |
| 9.1 | Liste des CONSOMMABLES..... | 25 |
| 10 | INCIDENTS DE FONCTIONNEMENT | 25 |
| 11 | LISTE DES COMPOSANTS SUR LES FIGURES..... | 26 |

1 AVANT LA MISE EN SERVICE

Merci d'avoir choisi une solution JAC. Veuillez impérativement lire ce mode d'emploi avant d'installer et de mettre en service cette machine. Vous pourrez ainsi vous protéger et éviter de détériorer votre machine.

Cette notice fait référence à différentes figures afin de faciliter la compréhension des instructions. Ces figures se trouvent en fin de notice. Veuillez vous y référer dès que vous rencontrez les symboles suivants (fig.x, n°y).

Pour que votre machine vous donne entière satisfaction au cours des prochaines années, nous vous invitons à prendre connaissance des conseils suivants :

- Faites-vous aider par votre agent agréé pour l'installation, la mise en service et le suivi.
- Afin de pouvoir bénéficier de la garantie de 5 ans (voir conditions reprises ci-après), faites compléter le carnet d'entretien par votre distributeur lors de l'installation de votre machine. Ce carnet d'entretien se trouve à l'arrière de votre machine.

2 GARANTIE



JAC offre une garantie de 5 ans sur tous ses produits.

Cette garantie est valable sur toutes les pièces de votre machine, pièces électroniques incluses, hors consommables. La garantie prend effet à la date d'installation du matériel.

Sous les conditions restrictives suivantes :

- matériel acquis auprès d'un revendeur agréé ;
- installation effectuée par un agent agréé ;
- utilisation du matériel conformément aux indications du mode d'emploi et dans le but pour lequel il a été fabriqué ;
- matériel quotidiennement entretenu conformément aux indications du mode d'emploi ;
- entretiens suivis par l'agent agréé conformément aux spécifications d'entretien avec, au minimum, un entretien par an (entretien à charge de l'utilisateur) ;
- utilisation exclusive des pièces d'origine JAC.



S'il n'y a pas de suivi d'entretien par un agent agréé et/ou que le carnet d'entretien n'est pas correctement complété, la garantie se limite à un an.

Cette garantie ne couvre pas :

- le remplacement des consommables (§9) ;
- les pièces non reconnues défectueuses par nos services ;
- les problèmes résultant d'une utilisation anormale du matériel ;
- les problèmes résultant d'une installation non effectuée par un agent agréé ;
- les pièces ou les problèmes résultant d'un dégât de transport ou d'une manutention inappropriée.

Une réparation et/ou un remplacement de pièces défectueuses effectué(es) durant la période de garantie n'a (n'ont) pas pour effet de prolonger ladite garantie.

3 AVERTISSEMENTS

Il est très important que cette notice d'utilisation soit conservée avec l'appareil pour toute future consultation. Si cet appareil devait être vendu ou transféré à une autre personne, assurez-vous que la notice d'utilisation soit remise de façon à ce que l'utilisateur puisse être informé de son fonctionnement et des avertissements s'y rapportant.



Ces avertissements sont donnés pour votre sécurité et pour celle d'autrui. Nous vous prions donc de bien vouloir les lire attentivement avant d'installer et d'utiliser l'appareil.

Cette machine a été conçue pour être utilisée par des adultes autorisés. Veillez donc à ce que les enfants n'y touchent pas ou qu'ils ne l'utilisent pas comme un jouet.

Cette machine est exclusivement réservée à un usage professionnel.

Il est dangereux de modifier ou d'essayer de modifier les caractéristiques de cette machine.

Après l'installation de cette machine, assurez-vous qu'elle ne repose pas sur le câble d'alimentation.

Suivez les instructions données pour l'utilisation.

Cette machine doit être stockée et utilisée à l'intérieur, dans un local à l'abri de l'humidité et de la chaleur.

Cette machine doit être suffisamment éclairée pour effectuer le travail.

Cette machine a un niveau sonore inférieur à 70 dB(A), suivant la norme EN ISO 3744.

Cette machine doit être utilisée par une seule personne à la fois (sauf prescription contraire).



Toujours débrancher la prise de courant avant de procéder au nettoyage intérieur/extérieur de l'appareil et aux opérations de maintenance.

Cet appareil est lourd. Prenez toutes les précautions de sécurité lors de sa manutention.

4 CARACTERISTIQUES TECHNIQUES

4.1 Caractéristiques techniques

| | DIVIFORM | DIVIFORM+ |
|--|---|-----------|
| Hauteur couvercle ouvert ou grille ouverte (mm) | 1680 | 1761 |
| Largeur (mm) | 600 | |
| Profondeur (mm) | 810 | |
| Colisage (mm) | 790 x 880 x 1310 | |
| Poids net (kg) | 260 | 285 |
| Poids NET + emballage (kg) | 280 | 305 |
| Puissance moteur (kW) | 1,5 | |
| Type moteur | Triphasé | |
| 220v - 50Hz (A) | 8 | |
| 380v - 50Hz (A) | 4,5 | |
| Cadence en division formage (pièces/h) | De 400 à 3000 suivant le type de grille | |
| Poids des pâtons en division formage mini/maxi (g) | 19 à 1000 suivant le type de grille | |
| Capacité de la cuve (kg) | 5 | |

Pour un fonctionnement parfait, le taux d'hydratation doit être de :
55 % minimum pour la Diviform+ ;
70 % minimum pour la Diviform.

4.2 Détail des matériaux en contact direct avec la pâte

Cuve carrée : INOX 304

Couvercle : Aluminium AISi10Mg

Grille standard : INOX 430 revêtu téflon

Grille profilée : INOX 430 revêtu téflon + Polyoxyméthylène

Plaque tasse-gras : Polyuréthane

5 INSTALLATION ET MISE EN SERVICE

5.1 Déconditionnement de la machine

Les machines sont livrées, sorties de nos ateliers, sur palettes, sanglées et protégées par du carton. Avant toute chose, l'emballage doit être observé et tout dommage dû au transport doit être déclaré directement au livreur.

- Retirer le carton.
- Retirer les carters latéraux de la machine afin d'avoir accès aux vis qui maintiennent la machine sur la palette.
- Désolidariser la machine de sa palette en dévissant les 4 vis qui bloquent la machine (fig.4).
- Descendre la machine de la palette. Veiller à faire cette manipulation à au moins deux personnes afin d'amortir au mieux le contact avec le sol.
- Mettre en place l'encadrement sur son support en s'assurant que le ressort est du bon côté (fig.5).

F. OPTION EASYFLOUR : Mettre en place le farineur (fig.6) et le remplir (fig.7) de farine

Après déballage de la machine, vérifier qu'elle n'a pas subi de dommages pendant le transport. Nous signaler toute anomalie.

5.2 Emplacement

Pour obtenir d'excellentes performances et une fiabilité à long terme, choisir un emplacement :

Bien ventilé, à l'abri du rayonnement solaire direct et éloigné des sources de chaleur, avec une surface plane et robuste exempte de vibrations.

5.3 Raccordement électrique

IMPORTANT : Mise à la terre obligatoire.

Il est conseillé de protéger l'installation avec un fusible et un disjoncteur différentiel.

Votre installation électrique alimentant la machine doit être protégée comme indiqué ci-dessous :

- Amérique du Nord : Protection 15A ;
- Reste du monde : Protection 16A.

Pour les machines équipées d'un variateur, celles-ci doivent être impérativement raccordées à une boîte de dérivation sur une ligne équipée d'un différentiel de 300mA.

Note : Tout problème résultant d'un autre type de raccordement ne sera pas pris en compte par la garantie.

Avant de connecter la machine au réseau et afin d'éviter une mise hors service du moteur à la mise sous tension, il est important de vérifier la concordance du réseau d'alimentation avec les caractéristiques de la machine (voir plaque signalétique de celle-ci).

Cet appareil est conforme aux Directives Machines 2006/42, 2014/35, 2014/30 et porte le marquage CE attestant cette conformité.

Veillez prendre connaissance des pictogrammes de sécurité figurant sur la machine :



Pictogramme signalant un risque d'électrocution. Veuillez débrancher la machine avant toute intervention sur celle-ci. Vous retrouverez ce pictogramme à l'intérieur de la machine sur le coffret électrique (fig.17, n°14).

Vous trouverez le schéma électrique de la machine à l'intérieur de la porte gauche de la diviseuse (fig.17, n°15).

5.4 Mise en service

Avant la mise en service, s'assurer de l'absence de tout objet parasite sur les parties en mouvement de la machine.

S'assurer tout d'abord (après vérification des concordances électriques) que le moteur tourne dans le bon sens ; il faut pour cela que la tête monte lorsqu'on tire le levier de commande vers soi. Si ce n'est pas le cas, débrancher la prise et inverser 2 phases dans celle-ci.

OPTION FULLMATIC : A la mise sous tension, le bouton vert clignote, appuyer dessus pour lancer l'initialisation. Si la tête ne monte pas durant cette étape et que le voyant clignote rapidement alors débrancher la prise et inverser 2 phases dans celle-ci.

Pour l'utilisation de la machine, se reporter au chapitre « Utilisation ».

5.5 Danger

En cas de danger pour l'utilisateur ou pour la machine, utiliser l'interrupteur général pour couper l'alimentation de la machine.

Retirer la fiche de la prise électrique avant toute opération de maintenance et d'entretien.

Toute opération de maintenance ou de remplacement de pièce doit être effectuée par un agent agréé.

6 **ORGANE DE COMMANDE ET DE SECURITE**

6.1 Organe de commande

(fig.2)

Votre machine est équipée de série d'un pupitre de commande mécanique

6.2 Zone de réglage

La zone de réglage de la pression se situe sur le côté droit de la machine (DIVIFORM+) (fig.8, n°13).
OPTION FULLMATIC : la zone de réglage du temps de pression et le sélecteur mi cuve/pleine cuve se situe à l'avant de la machine (fig.2)

6.3 Zone de travail

La zone de travail se situe à l'avant de la machine (fig.3, n°12).

7 **UTILISATION**

Procédure d'utilisation DIVIFORM en division formage (fig.9, 10)

- A. Tourner d'1/4 de tour vers la droite le bouton coup de poing (arrêt d'urgence) (fig.2, n°10), s'il n'est pas actionné.
- B. Mettre la plaque tasse-gras dans le fond de la cuve.
- C. Si besoin, fariner légèrement le dessus de la plaque tasse-gras.
OPTION EASYFLOUR : Fariner légèrement le dessus de la plaque dans la cuve à l'aide de l'Easyflour.
- D. Verser la pâte dans la cuve et la répartir à la main.
OPTION EASYFLOUR : Fariner légèrement le dessus de la pâte à l'aide de l'Easyflour.
- E. Fermer l'encadrement.
- F. Tirer le levier pour diviser la pâte.
- G. Pousser brièvement le levier afin de décompresser pour pouvoir ouvrir l'encadrement.
- H. Ouvrir l'encadrement.
- I. Tirer le levier pour faire monter la tête et récupérer les pâtons.

Le bouton d'arrêt d'urgence permet d'arrêter un cycle en cours.

OPTION FULLMATIC : Procédure d'utilisation DIVIFORM en division formage (fig.9 ,11)

- H. Tourner d'1/4 de tour vers la droite le bouton coup de poing (arrêt d'urgence) (fig.2, n°10), s'il n'est pas actionné.
- I. Mettre la plaque tasse-gras dans le fond de la cuve.
- J. Si besoin, fariner légèrement le dessus de la plaque tasse-gras.

OPTION EASYFLOUR : Fariner légèrement le dessus de la plaque dans la cuve à l'aide de l'Easyflour.

K. Verser la pâte dans la cuve et la répartir à la main.

OPTION EASYFLOUR : Fariner légèrement le dessus de la pâte à l'aide de l'Easyflour.

L. Fermer l'encadrement pour faire monter la tête et diviser la pâte.

M. Lorsque le voyant se rallume, ouvrir l'encadrement.

N. Récupérer les pâtons.

Procédure d'utilisation DIVIFORM+ en division formage (fig.12, 13, 14)

A. Tourner d'1/4 de tour vers la droite le bouton coup de poing (arrêt d'urgence) (fig.2, n°10), s'il n'est pas actionné.

B. Ouvrir le couvercle.

C. Mettre la plaque tasse-gras dans le fond de la cuve.

D. Si besoin, fariner légèrement le dessus de la plaque tasse-gras.

OPTION EASYFLOUR : Fariner légèrement le dessus de la plaque dans la cuve à l'aide de l'Easyflour.

E. Verser la pâte dans la cuve et la répartir grossièrement à la main.

OPTION EASYFLOUR : Fariner légèrement le dessus de la pâte à l'aide de l'Easyflour.

F. Fermer le couvercle de la cuve.

G. Régler la pression de tassage sur le côté droit de la machine.

H. Tirer le levier de commande pour faire monter la tête et tasser la pâte.

I. Pousser brièvement le levier afin de décompresser pour pouvoir ouvrir le couvercle.

J. Ouvrir le couvercle.

K. Fermer l'encadrement.

L. Tirer le levier pour diviser la pâte.

M. Pousser brièvement le levier afin de décompresser pour pouvoir ouvrir l'encadrement.

N. Ouvrir l'encadrement.

O. Tirer le levier pour faire monter la tête et récupérer les pâtons.

Le bouton d'arrêt d'urgence permet d'arrêter un cycle en cours.

OPTION FULLMATIC : Procédure d'utilisation DIVIFORM+ en division formage (fig.12, 15)

L. Tourner d'1/4 de tour vers la droite le bouton coup de poing (arrêt d'urgence) (fig.2, n°10), s'il n'est pas actionné.

M. Ouvrir le couvercle.

N. Mettre la plaque tasse-gras dans le fond de la cuve.

O. Si besoin, fariner légèrement le dessus de la plaque tasse-gras.

OPTION EASYFLOUR : Fariner légèrement le dessus de la plaque dans la cuve à l'aide de l'Easyflour.

P. Verser la pâte dans la cuve et la répartir grossièrement à la main.

OPTION EASYFLOUR : Fariner légèrement le dessus de la pâte à l'aide de l'Easyflour.

Q. Vous pouvez régler la pression de tassage grâce à la poignée de réglage pression sur le côté droit de la machine ainsi que le temps de tassage grâce au bouton en façade.

R. Fermez le couvercle pour faire monter la tête et tasser la pâte.

S. Lorsque le voyant se rallume, ouvrir le couvercle.

T. Fermer l'encadrement pour faire monter la tête et diviser la pâte.

U. Lorsque le voyant se rallume, ouvrir l'encadrement.

V. Récupérer les pâtons.

Procédure de changement de grille système Click&Cut (fig.16)

- A. Fermer l'encadrement.
- B. Ouvrir le compartiment grille grâce au loquet situé sur le côté gauche de l'encadrement.
- C. Ouvrir le volet du compartiment grille.
- D. Retirer l'ancienne grille.
- E. Insérer la nouvelle grille.
- F. Rabattre le volet du compartiment grille.

OPTION EASYFLOUR : Procédure de remplissage du farineur Easyflour (fig.7)

- E. Ouvrir le couvercle du farineur.
- F. Verser la farine dans la zone de remplissage du farineur.
- G. Fermer le couvercle du farineur.
- H. Régler le débit du farineur à l'aide du curseur.

8 ENTRETIEN

8.1 Journalier par un utilisateur formé

Placer le plateau en position basse et nettoyer la cuve.
Tirer le levier pour faire monter le plateau et aspirer les résidus de pâte et de farine.

OPTION FULLMATIC :

Placer le plateau en position basse et nettoyer la cuve.
Appuyer sur le bouton vert pour faire monter la tête et aspirer les résidus de pâte et de farine.

8.2 Hebdomadaire par un utilisateur formé

Laver l'ensemble de la carrosserie à l'aide d'un chiffon humide.
Actionner l'arrêt d'urgence et retirer les portes latérales à l'aide d'un tournevis.
Aspirer toutes les parties intérieures de la machine ainsi que les parties mécaniques.
Replacer les portes latérales.

8.3 Semestriel par un agent agréé

Placer le plateau en position basse.
Actionner l'arrêt d'urgence et retirer la porte latérale droite à l'aide d'un tournevis.
Contrôler le niveau d'huile (le niveau doit se situer entre 4 et 5 cm du bord supérieur de la bride en alu).

NOTE : Vous trouverez ci-dessous une liste non exhaustive des huiles hydrauliques compatibles :

| | |
|---------|--------------|
| CONDAT | HYDROLUB S46 |
| ELF | HYDRELF DS46 |
| CASTROL | AYSPIN AWS46 |
| TOTAL | AZOLLA ZS32 |

Bien vérifier que votre agent agréé enregistre son intervention dans votre carnet d'entretien afin de conserver votre garantie de 5 ans.

9 CONSOMMABLES

Lors d'une commande d'une pièce de rechange, vérifier avec votre agent agréé de quelle pièce il s'agit sur la base du catalogue de pièces de rechange émis par le fabricant.
Toujours préciser le numéro de machine comme indiqué sur la plaque signalétique.
Votre agent effectue les commandes auprès de JAC.

9.1 Liste des CONSOMMABLES

| REFERENCE | NOUVEAU LIBELLE | MODELE |
|---------------|-------------------------|-----------|
| F1500004 | RESSORT DE COUVERCLE | DIVIFORM+ |
| 10040012 | PLAQUE D'USURE | TOUTES |
| HUILEHYDROS46 | HUILE HYDRAULIQUE | TOUTES |
| F140000311 | EXCENTRIQUE DOUBLE | TOUTES |
| F1513364 | RESSORT CLICK&CUT DROIT | TOUTES |
| F1513326 | AXE VERROUILLAGE | TOUTES |

10 INCIDENTS DE FONCTIONNEMENT

ATTENTION : La machine doit obligatoirement être mise hors tension pour toute intervention.

| Problème | Vérification |
|--|--|
| La machine ne se met pas en route | Vérifier l'alimentation générale et celle du moteur Vérifier si le relais thermique s'est déclenché |
| La centrale hydraulique se met en route mais la tête ne monte pas | Inverser 2 phases sur la prise de la machine |
| La machine manque de puissance | Vérifier le niveau d'huile. Le niveau doit se situer entre 4 et 5 cm du bord supérieur. |
| La tête monte mais les couteaux ne sortent pas | Contactez votre technicien |
| Présence d'huile au sol | Contactez votre technicien |
| OPTION FULLMATIC : Le voyant vert clignote rapidement | Actionner l'arrêt d'urgence |



Si le problème persiste, veuillez contacter votre technicien.

11 LISTE DES COMPOSANTS SUR LES FIGURES

| Figure | Bulle | Nom |
|--------|-------|---|
| 1 | 1 | Système de verrouillage de grille Easylock |
| | 2 | Cuve |
| | 3 | Fond de cuve |
| | 4 | Poignée de protection |
| | 5 | Roulettes freinées |
| | 6 | Capot de tassage (DIVIFORM+) |
| | 7 | Encadrement |
| | 8 | Poignée de porte |
| | 9 | Réglage de la pression (DIVIFORM+) |
| 2 | 10 | Arrêt d'urgence |
| | 11 | Levier de montée ou de descente du fond de cuve |
| | 16 | Molette de réglage du temps de pression |
| | 17 | Temoin/bouton mode Fullmatic |
| 3 | 12 | Zone de travail |
| 6 | 13 | Levier de réglage de la pression (DIVIFORM+) |
| 12 | 14 | Pictogramme signalant un risque d'électrocution |
| | 15 | Schéma électrique |

| | | |
|-----------|---|-----------|
| 1 | VOR DER INBETRIEBNAHME | 28 |
| 2 | GARANTIE..... | 28 |
| 3 | WARNHINWEISE | 29 |
| 4 | TECHNISCHE DATEN..... | 30 |
| 4.1 | Technische Daten | 30 |
| 4.2 | Materialien der Teile, die in Kontakt mit dem Schnittgut kommen | 30 |
| 5 | INSTALLATION UND INBETRIEBNAHME..... | 30 |
| 5.1 | Auspacken der Maschine: | 30 |
| 5.2 | Aufstellung: | 31 |
| 5.3 | Anschluss an die Stromversorgung: | 31 |
| 5.4 | Inbetriebnahme: | 32 |
| 5.5 | Gefahr: | 32 |
| 6 | BEDIENELEMENT UND SICHERHEITSVORRICHTUNG..... | 32 |
| 6.1 | Bedienelement: | 32 |
| 6.2 | Einstellbereich: | 32 |
| 6.3 | Arbeitsbereich: | 32 |
| 7 | BEDIENUNG..... | 32 |
| 8 | INSTANDHALTUNG | 34 |
| 8.1 | Taglich durch einen eingewiesenen Bediener:..... | 34 |
| 8.2 | Wochentlich durch einen eingewiesenen Bediener:..... | 34 |
| 8.3 | Halbjahrlich durch einen zugelassenen Vertreter: | 34 |
| 9 | ERSATZTEILE..... | 35 |
| 9.1 | ERSATZTEILLISTE | 35 |
| 10 | STORUNGEN UND FEHLER..... | 35 |
| 11 | LISTE DER ABGEBILDETEN TEILE UND FUNKTIONEN..... | 36 |

1 VOR DER INBETRIEBNAHME

Vielen Dank, dass Sie sich für ein Gerät von JAC entschieden haben. Bitte lesen Sie diese Bedienungsanleitung vor der Installation und Inbetriebnahme dieser Maschine aufmerksam durch. Dies dient zu Ihrer Sicherheit und zum Schutz der Maschine vor Schäden.

Diese Bedienungsanleitung enthält Verweise auf verschiedene Abbildungen, die das Verständnis der Anleitungen erleichtern. Die Abbildungen befinden sich am Schluss der Bedienungsanleitung. Bitte schlagen Sie die jeweilige Abbildung anhand des angegebenen Verweises (Fig. X, Nr. Y) nach.

Damit Sie sich viele Jahre an dieser Maschine erfreuen können, möchten wir Sie bitten, die folgenden Hinweise zu berücksichtigen:

- Lassen Sie sich bei der Installation, der Inbetriebnahme und der weiteren Nutzung von Ihrem zugelassenen Vertreter unterstützen.
- Um die Garantie von fünf Jahren (siehe nachfolgende Garantiebestimmungen) in Anspruch nehmen zu können, lassen Sie bitte von Ihrem Vertriebshändler bei der Installation Ihrer Maschine das Wartungsheft ausfüllen. Das Wartungsheft befindet sich an der Rückseite Ihrer Maschine.

2 GARANTIE



JAC bietet auf alle seine Produkte eine Garantie von fünf Jahren.

Diese Garantie erstreckt sich auf alle Teile Ihrer Maschine, auch auf die elektronischen Bauteile, außer Verschleißteile. Die Garantiefrist beginnt zum Zeitpunkt der Installation der Anlage.

Es gelten die folgenden Beschränkungen:

- Das Produkt wurde bei einem zugelassenen Vertragshändler erworben.
- Die Installation wurde von einem zugelassenen Vertreter vorgenommen.
- Das Produkt wurde im Rahmen seines bestimmungsgemäßen Gebrauchs und entsprechend der Bedienungsanleitung verwendet.
- Das Produkt wurde täglich entsprechend den Vorgaben der Bedienungsanleitung instandgehalten.
- Die Wartung wird durch einen zugelassenen Vertreter entsprechend den Wartungsvorgaben durchgeführt und findet mindestens einmal jährlich statt (auf Kosten des Anwenders).
- Es werden ausschließlich Originalersatzteile von JAC verwendet.



Sofern keine Wartung durch einen zugelassenen Vertreter erfolgt bzw. das Wartungsheft nicht ordnungsgemäß ausgefüllt ist, ist die Garantie auf ein Jahr begrenzt.

Diese Garantie deckt nicht:

- den Ersatz von Verschleißteilen (siehe Abschnitt 9);
- Teile, die unser Kundendienst nicht als defekt anerkennt;

- Probleme, die sich aus einer ungewöhnlichen Nutzung des Produktes ergeben;
- Probleme, die darauf zurückzuführen sind, dass die Installation nicht durch einen zugelassenen Vertreter durchgeführt wurde;
- Beschädigungen oder Probleme, die auf einen Transportschaden oder auf die unsachgemäße Handhabung des Produktes zurückzuführen sind.

Die Durchführung einer Reparatur und/oder der Ersatz defekter Teile während der Garantifrist führen nicht zur Verlängerung der Garantifrist.

3 WARNHINWEISE

Bitte bewahren Sie diese Bedienungsanleitung unbedingt mit Ihrem Gerät zum späteren Nachlesen auf. Bei Verkauf oder Weitergabe Ihres Gerätes übergeben Sie bitte diese Bedienungsanleitung an den neuen Besitzer bzw. Benutzer, damit dieser über die Funktionsweise des Gerätes und die Warnhinweise informiert ist und diese befolgen kann.



Diese Warnhinweise dienen zu Ihrer Sicherheit und der Sicherheit anderer. Bitte lesen Sie die Warnhinweise vor der Installation und Verwendung Ihres Gerätes aufmerksam durch.

Diese Maschine ist für die Verwendung durch befugte erwachsene Personen bestimmt. Stellen Sie sicher, dass die Maschine nicht von Kindern berührt oder als Spielzeug benutzt wird.

Diese Maschine ist ausschließlich für den professionellen Einsatz vorgesehen.

Eine Modifizierung bzw. versuchte Modifizierung der Eigenschaften und Merkmale dieser Maschine ist gefährlich.

Stellen Sie nach der Installation dieser Maschine sicher, dass diese nicht auf dem Netzkabel steht.

Befolgen Sie stets die Anleitungen zur Bedienung und Verwendung.

Die Maschine ist in einem Innenraum und gegen Feuchtigkeit und Hitze geschützt aufzustellen.

Die Maschine muss zur Durchführung der Arbeiten ausreichend ausgeleuchtet sein.

Der Geräuschpegel der Maschine liegt unter 70 dB(A) und entspricht damit der EN ISO 3744.

Die Maschine darf nicht von mehreren Personen gleichzeitig benutzt werden (es sei denn, die Anleitung gibt etwas Anderes vor).



Vor Reinigungsarbeiten innen und außen am Gerät und vor Wartungsarbeiten immer den Netzstecker ziehen.

Dieses Gerät ist sehr schwer. Beim Transport und Bewegen des Gerätes sind angemessene Vorsichtsmaßnahmen zu ergreifen.

4 TECHNISCHE DATEN

4.1 Technische Daten

| | DIVIFORM | DIVIFORM+ |
|---|--------------------------------------|-----------|
| Höhe bei offenem Deckel oder offenem Gitter (mm) | 1680 | 1761 |
| Breite (mm) | 600 | |
| Tiefe (mm) | 810 | |
| Verpackungsmaße (mm) | 790x880x1310 | |
| Nettogewicht (kg) | 260 | 285 |
| Nettogewicht + Verpackung (kg) | 280 | 305 |
| Motorleistung (kW) | 1.5 | |
| Motortyp | dreiphasig | |
| 220 V - 50 Hz (A) | 8 | |
| 380 V - 50 Hz (A) | 4.5 | |
| Taktung bei der Teilung/Formgebung (Stück/h) | zwischen 400 und 3000 je nach Gitter | |
| Gewicht der Teiglinge bei der Teilung/Formgebung mind./max. (g) | 19 und 1000 je nach Gitter | |
| Fassungsvermögen des Trogs (in kg) | 5 | |

Damit die Maschine optimal funktioniert, muss der Feuchtigkeitsgehalt 55 % mind. bei der Diviform+
70 % mind. bei der Diviform betragen.

4.2 Materialien der Teile, die in Kontakt mit dem Schnittgut kommen

Viereckiger Trog: EDELSTAHL 304

Deckel: Aluminium AlSi10Mg

5 INSTALLATION UND INBETRIEBNAHME

5.1 Auspacken der Maschine:

Unsere Maschinen werden zur Lieferung ab Werk auf Paletten verpackt, mit Umreifungsbändern gesichert und mit einer Kartonverpackung geschützt. Prüfen Sie die Verpackung bei Erhalt auf Beschädigungen und teilen Sie dem Spediteur etwaige Transportschäden direkt mit.

- A. Den Karton entfernen.
- B. Die seitlichen Abdeckungen von der Maschine entfernen, um Zugang zu den Schrauben zu haben, mit denen die Maschine auf der Palette gesichert ist.

- C. Die vier Schrauben zur Sicherung der Maschine lösen und die Maschine von der Palette entfernen (Fig. 4).
- D. Heben Sie die Maschine von der Palette. Dies muss durch mindestens zwei Personen erfolgen, so dass die Maschine möglichst sicher auf dem Boden abgesetzt werden kann.
- E. Den Rahmen auf den Träger aufsetzen und dabei sicherstellen, dass die Feder auf der richtigen Seite positioniert ist (Fig. 5).
- F. EASYFLOUR-OPTION: Bemehler einsetzen (Abb. 6) und mit Mehl (Abb.7) befüllen

Die Maschine nach dem Auspacken auf Transportschäden überprüfen. Melden Sie uns bitte alle Fehler und Schäden.

5.2 Aufstellung:

Um eine hohe Leistung, eine lange Lebensdauer und einen zuverlässigen Betrieb sicherzustellen, sollte der Aufstellort wie folgt beschaffen sein:

Gut belüftet, vor direkter Sonneneinstrahlung geschützt, in ausreichender Entfernung zu Wärmequellen, mit ebenem, tragfähigem und schwingungsfreiem Boden.

5.3 Anschluss an die Stromversorgung:

WICHTIG: Die Erdung der Maschine ist vorgeschrieben.

Wir empfehlen den Schutz der Anlage durch eine Sicherung und einen FI-Schutzschalter.

Ihr Stromnetz zur Versorgung der Maschine muss folgendermaßen geschützt werden:

- Nordamerika: Schutz 15 A;
- Rest der Welt: Schutz 16 A.

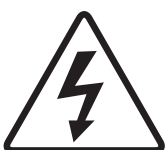
Maschinen mit Stromrichter müssen zwingend über einen FI-Schutzschalter für 300 mA angeschlossen werden.

Hinweis: Probleme und Störungen, die sich durch abweichende Ausführung des Anschlusses ergeben, sind nicht durch die Garantie gedeckt.

Prüfen Sie vor dem Anschließen der Maschine an das Stromnetz unbedingt, ob die Stromversorgung für die Maschine geeignet ist (siehe Angaben auf dem Typenschild), um einen Motorausfall beim Einschalten zu vermeiden.

Dieses Gerät entspricht den Maschinenrichtlinien 2006/42/EG, 2014/35/EU, 2014/30/EU und ist daher mit dem CE-Zeichen gekennzeichnet.

Bitte beachten Sie die an der Maschine angebrachten Warnsymbole:



Warnsymbol zur Anzeige der Gefahr eines tödlichen Stromschlags. Die Maschine vor jedem Eingriff vom Stromnetz nehmen. Dies befindet sich innen in der Maschine auf dem Schaltschrank. (Fig. 12, Nr. 14)

Der Schaltplan der Maschine befindet sich auf der Innenseite der linken Tür des Teigteilers. (Fig. 12, Nr. 15)

5.4 Inbetriebnahme:

Vor der Inbetriebnahme sicherstellen, dass sich keine Fremdkörper auf den beweglichen Teilen der Maschine befinden.

Zunächst (nach Überprüfung der elektrischen Übereinstimmung) sicherstellen, dass der Motor in die richtige Richtung dreht. Dazu muss der Kopf nach oben bewegt werden, wenn Sie den Bedienhebel zu sich ziehen. Ist dies nicht der Fall, den Stecker ziehen und die beiden Phasen darin umkehren.

FULLMATIC-OPTION: Beim Einschalten blinkt die grüne Taste. Drücken Sie diese Taste, um die Initialisierung zu starten. Wenn der Kopf dann nicht hochfährt und die Anzeige schnell blinkt, ziehen Sie den Netzstecker und vertauschen Sie die beiden Phasen im Stecker.

Weitere Informationen zur Verwendung der Maschine erhalten Sie im Abschnitt „Bedienung“.

5.5 Gefahr:

Bei einer Gefahr für den Anwender oder die Maschine ist die Maschine über den Hauptschalter auszuschalten.

Vor Wartungs- oder Instandsetzungsmaßnahmen den Netzstecker ziehen.

Wartungsmaßnahmen und der Austausch von Ersatzteilen dürfen nur durch einen zugelassenen Vertreter durchgeführt werden.

6 BEDIENELEMENT UND SICHERHEITSVORRICHTUNG

6.1 Bedienelement:

(Abb. 2)

Ihre Maschine ist serienmäßig mit einem mechanischen Bedienpult ausgestattet.

6.2 Einstellbereich:

Der Einstellbereich für den Druck befindet sich an der rechten Maschinenseite (DIVIFORM+) (Fig. 6, Nr. 13)

FULLMATIC-OPTION: Der Einstellbereich für die Presszeit und der Wahlschalter Trog halbvoll/voll befinden sich vorne an der Maschine (Abb. 2).

6.3 Arbeitsbereich:

Der Arbeitsbereich befindet sich an der Vorderseite der Maschine (Fig. 3, Nr. 12).

7 BEDIENUNG

Verwendung der DIVIFORM zur Teigteilung/Formgebung (Fig. 7, 8)

- A. Den Pilztaster (Not-Aus) (Fig. 2, Nr. 10), sofern er nicht betätigt ist, um eine 1/4-Umdrehung nach rechts drehen.
- B. Den Pressdeckel auf dem Boden des Trogs absetzen.
- C. Soweit erforderlich, die Oberseite des Pressdeckels leicht bemehlen.

EASYFLOUR-OPTION: Bemehlen Sie den Kopf im Trog leicht mit Easyflour.

D. Den Teig in den Trog geben und mit der Hand verteilen.

EASYFLOUR-OPTION: Bestäuben Sie den Teig mithilfe von Easyflour leicht mit Mehl.

E. Den Rahmen schließen.

F. Am Hebel ziehen, um den Teig zu teilen.

G. Leicht gegen den Hebel drücken, um Druck entweichen zu lassen und den Rahmen zu öffnen.

H. Den Rahmen öffnen.

I. Am Hebel ziehen, um den Kopf nach oben zu bewegen, um die Teiglinge entnehmen zu können.

Mit dem Not-Aus kann ein Zyklus unterbrochen werden.

FULLMATIC-OPTION: Verwendung der DIVIFORM zur Teigteilung/Formgebung (Abb. 9, 11)

A. Den Pilztaster (Not-Ausschalter) (Abb. 2, Nr. 10), sofern er nicht betätigt ist, um eine 1/4-Umdrehung nach rechts drehen.

B. Die Pressplatte auf dem Boden des Trogs absetzen.

C. Soweit erforderlich, die Oberseite der Pressplatte leicht bemehlen.

EASYFLOUR-OPTION: Bemehlen Sie den Kopf im Trog leicht mit Easyflour.

D. Den Teig in den Trog geben und mit der Hand verteilen.

EASYFLOUR-OPTION: Bestäuben Sie den Teig mithilfe von Easyflour leicht mit Mehl.

E. Deckel schließen, damit der Kopf hochfährt und der Teig geteilt wird.

F. Wenn die Anzeige wieder leuchtet, Deckel öffnen.

G. Teiglinge entnehmen.

Verwendung der DIVIFORM+ zur Teigteilung/Formgebung (Fig. 9, 10)

A. Den Pilztaster (Not-Aus) (Fig. 2, Nr. 10), sofern er nicht betätigt ist, um eine 1/4-Umdrehung nach rechts drehen.

B. Den Deckel öffnen.

C. Den Pressdeckel auf dem Boden des Trogs absetzen.

D. Soweit erforderlich, die Oberseite des Pressdeckels leicht bemehlen.

EASYFLOUR-OPTION: Bemehlen Sie den Kopf im Trog leicht mit Easyflour.

E. Den Teig in den Trog geben und grob mit der Hand verteilen.

EASYFLOUR-OPTION: Bemehlen Sie den Kopf im Trog leicht mit Easyflour.

F. Den Trogdeckel schließen.

G. Der Stapeldruck lässt sich an der rechten Maschinenseite einstellen.

H. Am Bedienhebel ziehen, um den Kopf nach oben zu bewegen und den Teig zu stapeln.

I. Leicht gegen den Hebel drücken, um Druck entweichen zu lassen und den Deckel zu öffnen.

J. Den Deckel öffnen.

K. Den Rahmen schließen.

L. Am Hebel ziehen, um den Teig zu teilen.

M. Leicht gegen den Hebel drücken, um Druck entweichen zu lassen und den Rahmen zu öffnen.

N. Den Rahmen öffnen.

O. Am Hebel ziehen, um den Kopf nach oben zu bewegen, um die Teiglinge entnehmen zu können.

Mit dem Not-Aus kann ein Zyklus unterbrochen werden.

FULLMATIC-OPTION: Verwendung der DIVIFORM+ zur Teigteilung/Formgebung (Abb. 12, 15)

A. Den Pilztaster (Not-Ausschalter) (Abb. 2, Nr. 10), sofern er nicht betätigt ist, um eine 1/4-Umdrehung nach rechts drehen.

B. Den Deckel öffnen.

C. Die Pressplatte auf dem Boden des Trogs absetzen.

D. Soweit erforderlich, die Oberseite der Pressplatte leicht bemehlen.

EASYFLOUR-OPTION: Bemehlen Sie den Kopf im Trog leicht mit Easyflour.

E. Teig in den Trog geben und grob mit der Hand verteilen.

EASYFLOUR-OPTION: Bestäuben Sie den Teig mithilfe von Easyflour leicht mit Mehl.

F. Der Pressdruck lässt sich mit dem Druckeinstellgriff rechts an der Maschine und die Presszeit mit dem Schalter vorne an der Maschine einstellen.

G. Deckel schließen, damit der Kopf hochfährt und der Teig gestapelt wird.

H. Wenn die Anzeige wieder leuchtet, Deckel öffnen.

I. Deckel schließen, damit der Kopf hochfährt und der Teig geteilt wird.

J. Wenn die Anzeige wieder leuchtet, Deckel öffnen.

K. Teiglinge entnehmen.

Verfahren zum Austausch des Gitters Click&Cut-System (Fig. 11)

A. Den Rahmen schließen.

B. Den Gitterbereich über das Schloss auf der linken Rahmenseite öffnen.

C. Die Klappe zum Gitterbereich öffnen.

D. Das alte Gitter herausnehmen.

E. Das neue Gitter einsetzen.

F. Die Klappe zum Gitterbereich wieder schließen.

EASYFLOUR-OPTION: Befüllen des Easyflour-Bemehlers (Abb. 7)

A. Öffnen Sie den Deckel des Bemehlers.

B. Füllen Sie Mehl in den Behälter des Bemehlers ein.

C. Schließen Sie den Deckel des Bemehlers.

D. Stellen Sie die Leistung des Bemehlers mit dem Cursor ein.

8 INSTANDHALTUNG

8.1 Täglich durch einen eingewiesenen Bediener:

Die Platte absenken und den Trog reinigen.

Am Hebel ziehen, um die Platte nach oben zu bewegen und Teig- und Mehreste absaugen.

FULLMATIC-OPTION:

Die Platte absenken und den Trog reinigen.

Drücken Sie die grüne Taste, damit der Kopf hochfährt, und saugen Sie Teig- und Mehreste ab.

8.2 Wöchentlich durch einen eingewiesenen Bediener:

Das gesamte Gehäuse mit einem weichen Tuch abwaschen.

Den Not-Aus betätigen und die seitlichen Türen mit einem Schraubendreher abnehmen.

Den gesamten Innenbereich und die mechanischen Teile der Maschine absaugen.

Die seitlichen Türen wieder einsetzen.

8.3 Halbjährlich durch einen zugelassenen Vertreter:

Die Platte absenken.

Den Not-Aus betätigen und die rechte seitliche Türe mit einem Schraubendreher abnehmen.

Den Ölstand überprüfen. (Der Ölstand muss zwischen 4 und 5 cm oberhalb des oberen Rands des Alubügels stehen).

HINWEIS: Im Folgenden haben wir eine unvollständige Liste mit kompatiblen Hydraulikölen zusammengestellt.

| | |
|---------|--------------|
| CONDAT | HYDROLUB S46 |
| ELF | HYDRELF DS46 |
| CASTROL | AYSPIN AWS46 |
| TOTAL | AZOLLA ZS32 |

Hier bitte sicherstellen, dass Ihr zugelassener Vertreter diese Maßnahmen im Wartungsheft festhält, um Ihren Garantieanspruch von fünf Jahren zu erhalten.

9 ERSATZTEILE

Um Ersatzteile für Ihre Maschine zu bestellen, lassen Sie von Ihrem Vertreter anhand des Ersatzteilkatalogs des Herstellers prüfen, um welche Teile es sich genau handelt. Dazu immer die Maschinenummer übermitteln, die auf dem Typenschild steht. Ihr Vertreter bestellt das Ersatzteil dann bei JAC.

9.1 ERSATZTEILLISTE

| TEILENUMMER | NEUES TEXTBLATT | MODELL |
|---------------|-------------------------------|-----------|
| F1500004 | FEDER DES DECKELS | DIVIFORM+ |
| 10040012 | VERSCHLEISSPLATTE | ALLE |
| HUILEHYDROS46 | HYDRAULIKÖL | ALLE |
| F140000311 | DOPPELEXZENTER | ALLE |
| F1513364 | FEDER CLICK&CUT-SYSTEM RECHTS | ALLE |
| F1513326 | VERRIEGELUNGSACHSE | ALLE |

10 STÖRUNGEN UND FEHLER

VORSICHT: Vor allen Eingriffen an der Maschine ist die Maschine zwingend von der Stromversorgung zu trennen.

| Problem | Fehlersuche |
|---|--|
| Die Maschine lässt sich nicht einschalten | Die allgemeine Versorgung und die Versorgung des Motors überprüfen. Überprüfen, ob das Thermorelais geschaltet hat. |
| Die Hydraulikzentrale schaltet zu, aber der Kopf bewegt sich nicht nach oben | Die beiden Phasen am Maschinenanschluss umkehren. |

| | |
|---|--|
| Die Maschine hat nicht genug Leistung | Den Ölstand überprüfen. (Der Ölstand muss zwischen 4 und 5 cm oberhalb des oberen Rands stehen). |
| Der Kopf bewegt sich nach oben, aber die Messer fahren nicht aus | Wenden Sie sich bitte an Ihren Servicetechniker. |
| Ölspuren am Boden | Wenden Sie sich bitte an Ihren Servicetechniker. |
| FULLMATIC-OPTION: Die grüne Anzeige blinkt schnell. | Not-Ausschalter drücken. |



Bei Anhalten des Problems wenden Sie sich bitte an Ihren Servicetechniker.

11 LISTE DER ABGEBILDETEN TEILE UND FUNKTIONEN

| Abbildung | Nummer | Bezeichnung |
|-----------|--------|---|
| 1 | 1 | Gitterverriegelungssystem Easylock |
| | 2 | Trog |
| | 3 | Trogboden |
| | 4 | Schutzgriff |
| | 5 | Blockiertes Rad |
| | 6 | Pressdeckel (DIVIFORM+) |
| | 7 | Rahmen |
| | 8 | Türgriff |
| | 9 | Druckregler (DIVIFORM+) |
| 2 | 10 | Not-Aus |
| | 11 | Hebel zum Anheben oder Absenken des Trogbodens |
| 3 | 12 | Arbeitsbereich |
| 6 | 13 | Druckregler-Hebel (DIVIFORM+) |
| 12 | 14 | Warnsymbol zur Anzeige der Gefahr eines tödlichen Stromschlags. |
| | 15 | Schaltplan |

| | | |
|-----------|---|-----------|
| 1 | VÓÓR DE INBEDRIJFSTELLING | 38 |
| 2 | GARANTIE..... | 38 |
| 3 | WAARSCHUWINGEN | 39 |
| 4 | TECHNISCHE EIGENSCHAPPEN..... | 40 |
| 4.1 | Technische eigenschappen..... | 40 |
| 4.2 | Materiaal dat rechtstreeks in contact komt met het deeg | 40 |
| 5 | INSTALLATIE EN INBEDRIJFSTELLING | 40 |
| 5.1 | De machine uit de verpakking halen: | 40 |
| 5.2 | Plaatsing:..... | 41 |
| 5.3 | Elektrische aansluiting: | 41 |
| 5.4 | Inbedrijfstelling:..... | 41 |
| 5.5 | Gevaar: | 42 |
| 6 | BEDIENINGS- EN VEILIGHEIDSPANEEL | 42 |
| 6.1 | Bedieningspaneel:..... | 42 |
| 6.2 | Afstelzone: | 42 |
| 6.3 | Werkzone:..... | 42 |
| 7 | GEBRUIK..... | 42 |
| 8 | ONDERHOUD..... | 44 |
| 8.1 | Dagelijks door een opgeleide gebruiker..... | 44 |
| 8.2 | Wekelijks door een opgeleide gebruiker | 44 |
| 8.3 | Halfjaarlijks door een erkende verdeler..... | 44 |
| 9 | VERBRUIKSGOEDEREN..... | 45 |
| 9.1 | Lijst met VERBRUIKSGOEDEREN | 45 |
| 10 | STORINGEN | 45 |
| 11 | LIJST MET ONDERDELEN OP DE AFBEELDINGEN..... | 46 |

1 VÓÓR DE INBEDRIJFSTELLING

Bedankt dat u hebt gekozen voor een JAC-oplossing. Neem deze gebruikershandleiding grondig door voordat u deze machine installeert en in werking stelt. Zo kunt u uzelf beschermen en schade aan uw machine vermijden.

Deze handleiding verwijst naar diverse afbeeldingen zodat u de instructies beter kunt begrijpen. Deze afbeeldingen bevinden zich op het einde van de handleiding. Raadpleeg ze wanneer u de volgende symbolen tegenkomt (fig.X, n°Y).

Om nog jarenlang van uw machine te kunnen genieten, raden we u aan om de volgende adviezen na te leven:

- Doe een beroep op uw erkende verdeler voor de installatie, inbedrijfstelling en opvolging.
- Om te kunnen genieten van de garantie van vijf jaar (zie verder voor de voorwaarden), moet u bij de installatie van uw machine het onderhoudsboekje laten invullen door uw verdeler. Dit onderhoudsboekje bevindt zich aan de achterkant van uw machine.

2 GARANTIE



JAC biedt een garantie van vijf jaar op al zijn producten.

Deze garantie is geldig voor alle onderdelen van uw machine, waaronder de elektronische onderdelen, maar uitgezonderd de verbruiksgoederen. De garantie treedt in werking op de installatiedatum van het materiaal.

Onder de volgende beperkende voorwaarden:

- Het materiaal moet bij een erkende verdeler zijn aangekocht.
- De installatie moet door een erkende verdeler zijn uitgevoerd.
- Het materiaal moet worden gebruikt in overeenstemming met de aanwijzingen in de gebruikershandleiding en voor het doel waarvoor het werd geproduceerd.
- Het materiaal moet dagelijks worden onderhouden in overeenstemming met de aanwijzingen in de gebruikershandleiding.
- Ten minste één keer per jaar moet onderhoud worden uitgevoerd door de erkende verdeler en dit in overeenstemming met de onderhoudsspecificaties (onderhoud ten laste van de gebruiker).
- Alleen originele JAC-onderdelen mogen worden gebruikt.



Als er geen onderhoud wordt uitgevoerd door een erkende verdeler en/of het onderhoudsboekje niet correct wordt ingevuld, is de garantie beperkt tot één jaar.

Het volgende valt niet onder dez garantie:

- De vervanging van verbruiksgoederen (§9).
- Defecte stukken die door onze diensten niet worden erkend.
- Problemen ten gevolge van een abnormaal gebruik van het materiaal.
- Problemen doordat de installatie niet door een erkende verdeler is uitgevoerd.
- De onderdelen of problemen die het gevolg zijn van transportschade of een ongepaste behandeling.

Een reparatie en/of een vervanging van defecte onderdelen tijdens de garantieperiode verlengt deze garantie niet.

3 WAARSCHUWINGEN

Het is heel belangrijk dat deze gebruikershandleiding bij het apparaat wordt bewaard zodat ze later kan worden geraadpleegd. Als dit apparaat wordt verkocht of aan een andere persoon wordt overgedragen, zorg er dan voor dat de gebruikershandleiding wordt overhandigd zodat de gebruiker op de hoogte is van de werking ervan en van de daarin vermelde waarschuwingen.



Deze waarschuwingen worden gegeven voor uw veiligheid en die van anderen. We vragen u dan ook ze aandachtig te lezen voordat u het apparaat installeert en gebruikt.

Deze machine werd ontworpen om door bevoegde volwassenen te worden gebruikt. Zorg er dus voor dat kinderen de machine niet aanraken en niet als speelgoed beschouwen.

Deze machine is uitsluitend voorbehouden voor professioneel gebruik.

Het is gevaarlijk om de eigenschappen van deze machine te wijzigen of te proberen wijzigen.

Zorg er na de installatie van deze machine voor dat ze niet op het netsnoer staat.

Volg de meegeleverde gebruiksinstructies.

Deze machine moet worden bewaard en gebruikt in een ruimte die niet vochtig of warm wordt.

Deze machine moet voldoende verlicht zijn om het werk uit te voeren.

Deze machine heeft een geluidsniveau van minder dan 70 dB(A) conform de norm EN ISO 3744.

Deze machine moet door één enkele persoon tegelijkertijd worden gebruikt (behoudens tegengestelde instructie).



Haal altijd de stekker uit het stopcontact voordat u de buiten- of binnenkant van het apparaat schoonmaakt of onderhoud uitvoert.

Dit apparaat is zwaar. Neem alle veiligheidsmaatregelen tijdens het onderhoud.

4 TECHNISCHE EIGENSCHAPPEN

4.1 Technische eigenschappen

| | DIVIFORM | DIVIFORM+ |
|--|---|-----------|
| Hoogte open deksel of open rooster (mm) | 1680 | 1761 |
| Breedte (mm) | 600 | |
| Diepte (mm) | 810 | |
| Verpakking (mm) | 790x880x1310 | |
| Nettogewicht (kg) | 260 | 285 |
| Nettogewicht + verpakking (kg) | 280 | 305 |
| Motorvermogen (kW) | 1,5 | |
| Motortype | Driefasig | |
| 220 V - 50 Hz (A) | 8 | |
| 380 V - 50 Hz (A) | 4,5 | |
| Snelheid bij vormverdeling (stukken/u) | Tussen 400 en 3000 afhankelijk van het type rooster | |
| Min./max. gewicht (g) van de deegklompen bij vormverdeling | 19 tot 1000 afhankelijk van het type rooster | |
| Capaciteit van de kuip (kg) | 5 | |

Voor een perfecte werking is het volgende hydratatiegehalte vereist:
minimaal 55% voor de Diviform+
minimaal 70% voor de Diviform

4.2 Materiaal dat rechtstreeks in contact komt met het deeg .

Vierkante kuip: INOX 304

Deksel: Aluminium AISi10Mg

5 INSTALLATIE EN INBEDRIJFSTELLING

5.1 De machine uit de verpakking halen:

De machines worden uit onze ateliers op pallets, verankerd en met karton beschermd geleverd. U moet eerst en vooral de verpakking bekijken en elke transportschade onmiddellijk aan de koerier melden.

- Haal het karton weg.
- Haal de laterale omhullingen van de machine af om toegang te krijgen tot de schroeven die de machine op de pallet houden.
- Haal de machine van de pallet door de vier schroeven los te draaien die de machine vasthouden (fig.4).
- Haal de machine van de pallet. Doe dit met minstens twee personen zodat de machine niet met een schok op de grond terechtkomt.
- Plaats het kader op zijn steun en zorg ervoor dat de veer aan de juiste kant zit (fig.5).

F. OPTIE EASYFLOUR: De bloemstrooier (fig.6) op zijn plaats zetten en met bloem vullen (fig.7)

Na het uitpakken van uw machine moet u nakijken of ze tijdens het transport geen schade heeft opgelopen. Meld ons elke afwijking.

5.2 Plaatsing:

Voor uitstekende prestaties en betrouwbaarheid op lange termijn moet u een plaats kiezen die:

Goed verlucht is, niet blootgesteld is aan direct zonlicht en uit de buurt is van warmtebronnen, met een vlak, stevig en trillingsvrij oppervlak.

5.3 Elektrische aansluiting:

BELANGRIJK: Verplichte aarding.

Er wordt aangeraden om de installatie te beveiligen met een zekering en differentieelschakelaar.

Uw elektriciteitsinstallatie die stroom levert aan de machine moet als volgt worden beveiligd:

- Noord-Amerika: Beveiliging 15 A

- Rest van de wereld: Beveiliging 16 A

Machines die uitgerust zijn met een regelaar moeten worden aangesloten op een aftakdoos op een lijn die uitgerust is met een differentieelschakelaar van 300 mA.

Opmerking: Elk probleem dat te wijten is aan een andere soort aansluiting wordt niet gedekt door de garantie.

Voordat u uw machine op het net aansluit en om een storing van de motor bij het onder spanning zetten te vermijden, is het belangrijk dat u controleert of het elektriciteitsnet overeenstemt met de eigenschappen van de machine (zie het identificatieplaatje).

Dit apparaat is conform de machinerichtlijnen 2006/42, 2014/35, 2014/30 en draagt de CE-markering die van deze conformiteit getuigt.

Houd rekening met de veiligheidspictogrammen op de machine:



Pictogram dat wijst op gevaar voor elektrocutie. Trek de machine vóór elke interventie uit het stopcontact. Dat is terug te vinden binnenin de machine op de schakelkast (fig.12, n°14).

U vindt het elektrische schema van de machine aan de binnenkant van de linkerdeur van de verdeler (fig.12, n°15).

5.4 Inbedrijfstelling:

Zorg er vóór de inbedrijfstelling voor dat er zich geen enkel storend voorwerp bevindt op de bewegende onderdelen van de machine.

Wees er eerst zeker van (na controle van de elektrische overeenstemming) dat de motoren in de juiste richting draaien. Daartoe moet de kop omhooggaan wanneer u de bedieningshendel naar u toe trekt. Als dit niet het geval is, trek dan de stekker uit het stopcontact en keer de twee fasen erin om.

OPTIE FULLMATIC: Bij het inschakelen knippert de groene knop. Druk erop om de initialisatie te starten. Als de kop in deze fase niet omhoog gaat en het controlelampje snel knippert, haal dan de stekker uit het stopcontact en keer de twee fasen erin om.

Raadpleeg het hoofdstuk "Gebruik" voor informatie over het gebruik van de machine.

5.5 Gevaar:

Als er gevaar is voor de gebruiker of voor de machine, moet u de hoofdschakelaar gebruiken om de stroomtoevoer naar de machine te onderbreken.

Haal de stekker uit het stopcontact vooraleer u onderhoud uitvoert.

Elk onderhoud of vervanging van een onderdeel moet door een bevoegde verdeler worden uitgevoerd.

6 BEDIENINGS- EN VEILIGHEIDSPANEEL

6.1 Bedieningspaneel:

(fig.2)

Uw machine is standaard uitgerust met een mechanisch bedieningspaneel (fig. 2).

6.2 Afstelzone:

De zone voor de drukregeling bevindt zich aan de rechterkant van de machine (DIVIFORM+) (fig.6, n°13).

OPTIE FULLMATIC: De afstelzone van de perstijd en de keuzeschakelaar halve kuip/volle kuip bevindt zich aan de voorkant van de machine (fig.2).

6.3 Werkzone:

De werkzone bevindt zich aan de voorkant van de machine (fig.3, n°12).

7 GEBRUIK

Gebruiksprocedure voor DIVIFORM bij vormverdeling (fig.7, 8)

- A. Draai de vuistslagknop (noodstop) (fig.2, n°10) een kwartdraai naar rechts als deze niet ingeschakeld is.
- B. Plaats de dikke perslaag op de bodem van de kuip.
- C. Bestrooi het oppervlak van de dikke perslaag, indien nodig, licht met bloem.
OPTIE EASYFLOUR: Bestrooi het oppervlak van de plaat in de kuip licht met bloem met behulp van de Easyflour.
- D. Plaats het deeg in de kuip en verdeel het met de hand.
OPTIE EASYFLOUR: Bestrooi het oppervlak van het deeg licht met bloem met behulp van de Easyflour.
- E. Sluit het kader.

- F. Trek aan de hendel om het deeg te verdelen.
- G. Druk kort op de hendel om de druk te verminderen zodat het kader kan worden geopend.
- H. Open het kader.
- I. Trek aan de hendel om de kop omhoog te brengen en de deegklompen te nemen.

Met de noodstopknop kunt u een lopende cyclus stoppen.

OPTIE FULLMATIC: Gebruiksprocedure voor DIVIFORM bij vormverdeling (fig.9, 11)

- A. Draai de vuistslagknop (noodstop) (fig.2, n°10) een kwartdraai naar recht als deze niet ingeschakeld is.
- B. Plaats de persplaat op de bodem van de kuip.
- C. Bestrooi het oppervlak van de persplaat indien nodig licht met bloem.
- OPTIE EASYFLOUR: Bestrooi het oppervlak van de plaat in de kuip licht met bloem met behulp van de Easyflour.
- D. Plaats het deeg in de kuip en verdeel het met de hand.
- OPTIE EASYFLOUR: Bestrooi het oppervlak van het deeg licht met bloem met behulp van de Easyflour.
- E. Sluit het kader om de kop omhoog te brengen en het deeg te verdelen.
- F. Als het controlelampje opnieuw brandt, open het kader.
- G. Haal de deegklompen eruit.

Gebruiksprocedure voor DIVIFORM+ bij vormverdeling (fig.12, n°13,14)

- A. Draai de vuistslagknop (noodstop) (fig.2, n°10) een kwartdraai naar rechts als deze niet ingeschakeld is.
- B. Open het deksel.
- C. Plaats de dikke perslaag op de bodem van de kuip.
- D. Bestrooi het oppervlak van de dikke perslaag, indien nodig, licht met bloem.
- OPTIE EASYFLOUR: Bestrooi het oppervlak van de plaat in de kuip licht met bloem met behulp van de Easyflour.
- E. Plaats het deeg in de kuip en verdeel het ruwweg met de hand.
- OPTIE EASYFLOUR: Bestrooi het oppervlak van de plaat in de kuip licht met bloem met behulp van de Easyflour.
- F. Sluit het deksel van de kuip.
- G. U kunt de druk van het samenpersen regelen aan de rechterkant van de machine.
- H. Trek aan de bedieningshendel om de kop omhoog te brengen en het deeg samen te persen.
- I. Duw even tegen de hendel om de druk te verminderen zodat het deksel kan worden geopend.
- J. Open het deksel.
- K. Sluit het kader.
- L. Trek aan de hendel om het deeg te verdelen.
- M. Duw even tegen de hendel om de druk te verminderen zodat het kader kan worden geopend.
- N. Open het kader.
- O. Trek aan de hendel om de kop omhoog te brengen en de deegklompen te nemen.

Met de noodstopknop kunt u een lopende cyclus stoppen.

OPTIE FULLMATIC: Gebruiksprocedure voor DIVIFORM+ bij vormverdeling (fig.12, 15)

- A. Draai de vuistslagknop (noodstop) (fig.2, n°10) een kwartdraai naar recht als deze niet ingeschakeld is.
- B. Open het deksel.
- C. Plaats de persplaat op de bodem van de kuip.
- D. Bestrooi het oppervlak van de persplaat indien nodig licht met bloem.
- OPTIE EASYFLOUR: Bestrooi het oppervlak van de plaat in de kuip licht met bloem met behulp van de Easyflour.
- E. Plaats het deeg in de kuip en verdeel het ruwweg met de hand.

OPTIE EASYFLOUR: Bestrooi het oppervlak van het deeg licht met bloem met behulp van de Easyflour.

- F. U kunt de persdruk regelen met de drukregelhendel aan de rechterzijde van de machine evenals de perstijd met de knop vooraan.
- G. Sluit het deksel om de kop omhoog te brengen en het deeg te persen.
- H. Als het controlelampje opnieuw brandt, open het deksel.
- I. Sluit het kader om de kop omhoog te brengen en het deeg te verdelen.
- J. Als het controlelampje opnieuw brandt, open het kader.
- K. Haal de deegklompen eruit.

Procedure voor vervanging van het rooster met Click&Cut-systeem (fig.16)

- A. Sluit het kader.
- B. Open het roostercompartiment met de klink aan de linkerkant van het kader.
- C. Open het luik van het roostercompartiment.
- D. Neem het oude rooster weg.
- E. Plaats het nieuwe rooster.
- F. Sluit het luik van het roostercompartiment.

OPTIE EASYFLOUR: Procedure de bloemstrooier Easyflour te vullen (fig.7)

- A. Open het deksel van de bloemstrooier.
- B. Giet de bloem in de vulzone van de bloemstrooier.
- C. Sluit het deksel van de bloemstrooier.
- D. Stel het debiet van de bloemstrooier af met behulp van de schuifregelaar.

8 ONDERHOUD

8.1 Dagelijks door een opgeleide gebruiker.

Leg de plaat in de lage positie en maak de kuip schoon.

Trek aan de hendel om de plaat omhoog te halen en zuig de deeg- en bloemresten op.

OPTIE FULLMATIC:

Plaats de plaat in lage positie en maak de kuip schoon.

Druk op de groene knop om de kop omhoog te halen en zuig de deeg- en bloemresten op.

8.2 Wekelijks door een opgeleide gebruiker.

Was de hele carrosserie met een vochtige doek.

Schakel de noodstop in en verwijder de laterale deuren met een schroevendraaier.

Stofzuig alle interne onderdelen van de machine evenals de mechanische onderdelen.

Plaats de laterale deuren opnieuw op hun plaats.

8.3 Halfjaarlijks door een erkende verdeler.

Leg de plaat in de lage positie.

Schakel de noodstop in en verwijder de laterale rechterdeur met een schroevendraaier.

Controleer het oliepeil. (Het peil moet zich tussen 4 en 5 cm van de bovenrand van de aluminiumflens bevinden.)

OPMERKING: Hieronder vindt u een onvolledige lijst van de compatibele hydraulische oliën:

| | |
|---------|--------------|
| CONDAT | HYDROLUB S46 |
| ELF | HYDRELF DS46 |
| CASTROL | AYSPIN AWS46 |
| TOTAL | AZOLLA ZS32 |

Controleer goed of uw erkende verdeler zijn interventie in uw onderhoudsboekje heeft genoteerd zodat u uw garantie van vijf jaar behoudt.

9 VERBRUIKSGOEDEREN

Ga bij de bestelling van een reserveonderdeel met uw verdeler na om welk stuk het gaat op basis van de reserveonderdelencatalogus van de fabrikant.

Geef altijd het machinenummer op zoals vermeld op het identificatieplaatje.

Uw verdeler voert de bestellingen uit bij JAC.

9.1 Lijst met VERBRUIKSGOEDEREN

| ITEM CODE | NEW DESCRIPTION | MODEL |
|---------------|------------------------------------|-----------|
| F1500004 | LID SPRING | DIVIFORM+ |
| 10040012 | WEAR PLATE | ALL |
| HUILEHYDROS46 | HYDRAULIC OIL | ALL |
| F140000311 | DOUBLE EXCENTRIC CLICK&CUT VEER | ALL |
| F1513364 | RECHTS | ALLE |
| F1513326 | ONTGRENDELINGSAS | ALLE |

10 STORINGEN

OPGELET: Bij elke tussenkomst moet de machine uit het stopcontact worden getrokken.

| Probleem | Controle |
|---|---|
| De machine start niet op | Controleer de algemene voeding en die van de motor. Controleer of het thermische relais is ingeschakeld. |
| De hydraulische centrale gaat van start, maar de kop komt niet omhoog | Keer twee fasen om op de stekker van de machine. |
| De machine heeft onvoldoende vermogen | Controleer het oliepeil. Het niveau moet zich op 4 tot 5 cm van de bovenrand bevinden. |
| De kop gaat omhoog, maar de messen komen niet naar buiten | Neem contact op met uw technicus. |
| Oliesporen op de grond | Neem contact op met uw technicus. |
| OPTIE FULLMATIC: Het groene controlelampje knippert snel | Schakel de noodstop in |



Als het probleem zich blijft voordoen, neem dan contact op met uw technicus.

11 LIJST MET ONDERDELEN OP DE AFBEELDINGEN

| Afbeelding | Nummer | Naam |
|------------|--------|--|
| 1 | 1 | Easylock Vergrendelsysteem voor het rooster |
| | 2 | Kuip |
| | 3 | Bodem van de kuip |
| | 4 | Veiligheidshandgreep |
| | 5 | Wieltje met rem |
| | 6 | Persdeksel (DIVIFORM+) |
| | 7 | Kader |
| | 8 | Deurklink |
| | 9 | Drukregeling (DIVIFORM+) |
| 2 | 10 | Noodstop |
| | 11 | Hendel om de bodem van de kuip omhoog of omlaag te halen |
| 3 | 12 | Werkzone |
| 6 | 13 | Hendel voor drukregeling (DIVIFORM+) |
| 12 | 14 | Pictogram dat wijst op gevaar voor elektrocutie |
| | 15 | Elektrisch schema |

| | | |
|-----------|--|-----------|
| 1 | ПЕРЕД ВВОДОМ В ЭКСПЛУАТАЦИЮ | 48 |
| 2 | ГАРАНТИЯ..... | 48 |
| 3 | ПРЕДУПРЕЖДЕНИЯ..... | 49 |
| 4 | ТЕХНИЧЕСКИЕ ХАРАКТЕРИСТИКИ | 50 |
| 4.1 | Технические характеристики | 50 |
| 4.2 | Подробности о материалах, находящихся в непосредственном контакте с тестом. | 50 |
| 5 | УСТАНОВКА И ВВОД В ЭКСПЛУАТАЦИЮ | 50 |
| 5.1 | Распаковка машины | 50 |
| 5.2 | Место установки | 51 |
| 5.3 | Электрическое подключение..... | 51 |
| 5.4 | Ввод в эксплуатацию..... | 52 |
| 5.5 | Опасность | 52 |
| 6 | ОРГАНЫ УПРАВЛЕНИЯ И ПРЕДОХРАНИТЕЛЬНЫЕ УСТРОЙСТВА | 52 |
| 6.1 | Органы управления..... | 52 |
| 6.2 | Зона регулировки | 52 |
| 6.3 | Рабочая зона..... | 52 |
| 7 | ЭКСПЛУАТАЦИЯ | 53 |
| 8 | ТЕХНИЧЕСКОЕ ОБСЛУЖИВАНИЕ..... | 54 |
| 8.1 | Ежедневное, выполняется пользователем, прошедшим подготовку..... | 54 |
| 8.2 | Еженедельное, выполняется пользователем, прошедшим подготовку..... | 54 |
| 8.3 | Полугодовое, выполняется аккредитованным специалистом..... | 55 |
| 9 | РАСХОДНЫЕ МАТЕРИАЛЫ..... | 55 |
| 9.1 | Список РАСХОДНЫХ МАТЕРИАЛОВ | 55 |
| 10 | НЕПОЛАДКИ В РАБОТЕ | 56 |
| 11 | СПИСОК КОМПЛЕКТУЮЩИХ НА ИЗОБРАЖЕНИЯХ..... | 57 |

1 ПЕРЕД ВВОДОМ В ЭКСПЛУАТАЦИЮ

Благодарим за то, что выбрали компанию JAC. Перед установкой машины и ее вводом в эксплуатацию обязательно прочтите настоящее руководство. Таким образом вы сможете защитить себя и избежать повреждений машины.

В настоящем руководстве содержатся ссылки на различные изображения, облегчающие понимание инструкций. Эти изображения находятся в конце руководства. Обращайтесь к ним, когда встретите в тексте обозначения следующего вида: (fig.X, n°Y).

Для обеспечения бесперебойной работы машины в будущем предлагаем ознакомиться с представленными ниже правилами.

— Для установки машины, ее ввода в эксплуатацию и контроля работы обращайтесь к аккредитованному специалисту.

— Чтобы на машину подействовала 5-летняя гарантия (см. необходимые условия далее), дистрибьютор должен заполнить журнал технического обслуживания при установке машины. Журнал технического обслуживания находится с тыльной части машины.

2 ГАРАНТИЯ



Компания JAC предоставляет 5-летнюю гарантию на всю свою продукцию.

Гарантия распространяется на все детали машины, в том числе электронные, кроме расходных материалов. Гарантия вступает в силу с даты установки оборудования.

Гарантия действует при соблюдении следующих ограничительных условий:

- Приобретение оборудования у аккредитованного дистрибьютора.
- Выполнение установки аккредитованным специалистом.
- Использование оборудования в соответствии с указаниями в руководстве по эксплуатации и по назначению, предусмотренному при производстве.
- Ежедневное обслуживание оборудования в соответствии с указаниями в руководстве по эксплуатации.
- Выполнение технического обслуживания аккредитованным специалистом в соответствии с требованиями по техническому обслуживанию не реже одного раза в год (производится за счет пользователя).
- Использование исключительно оригинальных деталей компании JAC.



При отсутствии контроля технического обслуживания со стороны аккредитованного специалиста и (или) в случае неправильного ведения журнала технического обслуживания действие гарантии ограничивается одним годом.

Гарантия не распространяется:

- На замену расходных материалов (§9).
- На детали, признанные неисправными не нашей компанией.
- На проблемы, возникшие вследствие неправильной эксплуатации оборудования.

— На проблемы, возникшие вследствие установки машины не аккредитованным специалистом.

— На детали или проблемы, связанные с нанесением ущерба во время транспортировки или ненадлежащим обращением при погрузочно-разгрузочных работах.

Ремонт и (или) замена неисправных деталей, выполненные в течение гарантийного периода, не могут послужить причиной продления данной гарантии.

3 ПРЕДУПРЕЖДЕНИЯ

Настоящее руководство следует сохранить для получения справочной информации при дальнейшей эксплуатации машины. В случае продажи или передачи машины другому лицу следует удостовериться, что руководство по эксплуатации передается вместе с ней, чтобы пользователь мог получить информацию о ее работе и связанных с ней предупреждениях.



Предупреждения изложены для обеспечения вашей безопасности и безопасности других лиц. Просим вас внимательно прочесть эти предупреждения перед установкой и эксплуатацией машины.

Машина разработана для использования совершеннолетними лицами с соответствующим разрешением. Поэтому нужно следить за тем, чтобы дети не прикасались к машине и не использовали ее в качестве игрушки.

Машина предназначена исключительно для использования в рабочих целях.

Опасно вносить изменения в характеристики машины или предпринимать соответствующие попытки.

После установки машины убедитесь в том, что она не стоит на кабеле электроснабжения.

Соблюдайте данные инструкции по эксплуатации.

Машина должна храниться и использоваться в помещении, защищенном от сырости и жары.

Машина должна быть достаточно освещена для выполнения работы.

Уровень шума машины ниже 70 дБ(А) согласно стандарту EN ISO 3744.

Машина не должна использоваться несколькими операторами параллельно (если не предписано иное).



Всегда отключайте машину от сети электропитания перед выполнением чистки внутренних/внешних поверхностей и операций по техническому обслуживанию.

Машина тяжелая. Принимайте все необходимые меры предосторожности при транспортировке и погрузочно-разгрузочных работах.

4 ТЕХНИЧЕСКИЕ ХАРАКТЕРИСТИКИ

4.1 Технические характеристики

| | DIVIFORM | DIVIFORM+ |
|--|--|------------------|
| Высота с открытой крышкой или с открытой решеткой (мм) | 1680 | 1761 |
| Ширина (мм) | 600 | |
| Глубина (мм) | 810 | |
| Упаковка (мм) | 790 x 880 x 1310 | |
| Масса нетто (кг) | 260 | 285 |
| Масса нетто + упаковка (кг) | 280 | 305 |
| Мощность мотора (кВт) | 1.5 | |
| Тип мотора | Трехфазный | |
| 220 В, 50 Гц (А) | 8 | |
| 380 В, 50 Гц (А) | 4.5 | |
| Темп производства в режиме деления и формовки (шт./ч) | 400–3000 в зависимости от типа решетки | |
| Масса тестовых заготовок в режиме деления и формовки мин./макс. (г) | 19–1000 в зависимости от типа решетки | |
| Вместимость кюветы (кг) | 5 | |

Для правильной работы коэффициент гидратации должен составлять:
не менее 55 % для Diviform+
не менее 70 % для Diviform

4.2 Подробности о материалах, находящихся в непосредственном контакте с тестом.

Квадратная кювета: НЕРЖ. 304
Крышка: алюминий AISi10Mg

5 УСТАНОВКА И ВВОД В ЭКСПЛУАТАЦИЮ

5.1 Распаковка машины

Машины из наших цехов поставляются на поддонах, закрепленные ремнями и в защитной картонной коробке. Прежде всего следует осмотреть упаковку на предмет наличия повреждений, полученных во время транспортировки, и сообщить о них непосредственно экспедитору.

- A. Удалите картонную коробку.
- B. Снимите боковые кожухи машины, чтобы получить доступ к винтам, удерживающим машину на поддоне.

- C. Открепите машину от поддона, открутив 4 винта, фиксирующих машину (fig.4).
- D. Снимите машину с поддона. В этой операции должны участвовать не менее двух человек для обеспечения максимально плавного соприкосновения машины с полом.
- E. Установить на место рамку и ее опору, убедившись, что пружина находится с нужной стороны (fig.5).
- F. ОПЦИЯ EASYFLOUR: Установить на место посыпатель муки (fig.6) и наполнить его (fig.7) мукой

После распаковки машины убедитесь, что она не подвергалась повреждениям во время транспортировки. Сообщайте нам о любых дефектах.

5.2 Место установки

Для обеспечения долгосрочной высокой производительности и надежности машины следует правильно выбрать место установки.

Оно должно быть хорошо проветриваемым, защищенным от воздействия прямых солнечных лучей, удаленным от источников тепла, с ровной и прочной поверхностью, не подвергающейся вибрации.

5.3 Электрическое подключение

ВАЖНО! Обязательно наличие заземления.

Рекомендуется защитить электрическую установку с помощью плавкого предохранителя и дифференциального автоматического выключателя.

Электрическая установка, обеспечивающая питание машины, должна быть защищена следующим образом:

— Северная Америка: защита 15 А.

— Остальные страны: защита 16 А.

Машины, оборудованные регулятором скорости, обязательно должны подключаться к разветвительной коробке на линии с дифференциальным автоматом 300 мА.

Примечание. Любые проблемы, возникшие в связи с иным видом подключения, не будут покрываться гарантией.

Перед подключением машины к электросети и во избежание выхода мотора из строя в момент подключения следует убедиться в соответствии электросети характеристикам машины (см. заводской щиток).

Машина соответствует директивам по механическому оборудованию 2006/42, 2014/35, 2014/30 и имеет подтверждающую маркировку CE.

Ознакомьтесь с пиктограммами техники безопасности, имеющимися на машине.



Пиктограмма, предупреждающая об опасности поражения электрическим током. Отключите машину от электросети перед выполнением любых работ. Пиктограмма находится внутри машины на отсеке электрощитка. (fig.12, п°14)

Электросхема машины находится на внутренней стороне левой дверцы делителя. (fig.12, n°15)

5.4 Ввод в эксплуатацию

Перед вводом в эксплуатацию убедитесь в отсутствии любых посторонних предметов на подвижных частях машины.

В первую очередь после проверки соответствия электрических характеристик убедитесь в том, что мотор вращается в правильном направлении: если потянуть рычаг управления на себя, верхняя часть должна подниматься. Если это не так, отключите разъем и поменяйте местами 2 фазы на разъеме.

ОПЦИЯ FULLMATIC: При включении питания начинает мигать зеленая кнопка. Нажмите на нее для запуска инициализации. Если в течение этого этапа верхняя часть не поднимается и быстро мигает индикатор, отключите разъем и поменяйте местами его 2 фазы.

Для получения ответов на все вопросы, касающиеся эксплуатации машины, см. раздел «Эксплуатация».

5.5 Опасность

В случае возникновения опасности для пользователя или для машины следует отключить электропитание с помощью главного выключателя.

Извлеките штекер из электрической розетки перед выполнением любых операций по техническому или периодическому обслуживанию.

Все операции по техническому обслуживанию или замене деталей должны осуществляться аккредитованным специалистом.

6 ОРГАНЫ УПРАВЛЕНИЯ И ПРЕДОХРАНИТЕЛЬНЫЕ УСТРОЙСТВА

6.1 Органы управления

(fig.2)

Машина серийно оборудована механическим пультом управления (fig.2).

6.2 Зона регулировки

Зона регулировки давления находится с правой стороны машины (DIVIFORM+) (fig.6, n°13).

ОПЦИЯ FULLMATIC: зона регулировки времени давления и переключатель «половина кюветы / полная кювета» расположены в передней части машины (fig.2)

6.3 Рабочая зона

Рабочая зона находится в передней части машины (fig.3, n°12).

Порядок эксплуатации машины DIVIFORM в режиме деления и формовки (fig.7, 8)

- A. Поверните на 1/4 оборота вправо большую нажимную кнопку (аварийный останов) (fig.2, n°10), если она не включена.
- B. Установите пластину для жирной прессовки на дно кюветы.
- C. В случае необходимости слегка посыпьте пластину для жирной прессовки мукой.
ОПЦИЯ EASYFLOUR: Слегка посыпьте мукой пластину в кювете с помощью Easyflour.
- D. Выгрузите тесто в кювету и приблизительно равномерно распределите его рукой по поверхности.
ОПЦИЯ EASYFLOUR: Слегка посыпьте мукой пластину в кювете с помощью Easyflour.
- E. Закройте рамку.
- F. Потяните рычаг, чтобы разделить тесто.
- G. Коротко толкните рычаг для декомпрессии и возможности открыть рамку.
- H. Откройте рамку.
- I. Потяните рычаг, чтобы поднять верхнюю часть и извлечь тестовые заготовки.

Текущий цикл можно остановить с помощью кнопки аварийного останова.

ОПЦИЯ FULLMATIC: Порядок эксплуатации машины DIVIFORM в режиме деления и формовки (fig.9, 11)

- A. Поверните на 1/4 оборота вправо большую нажимную кнопку (аварийный останов) (fig.2, n°10), если она не включена.
- B. Установите пластину для жирной прессовки на дно кюветы.
- C. В случае необходимости слегка посыпьте мукой пластину для жирной прессовки.
ОПЦИЯ EASYFLOUR: Слегка посыпьте мукой пластину в кювете с помощью Easyflour.
- D. Выгрузите тесто в кювету и приблизительно равномерно распределите его рукой по поверхности.
ОПЦИЯ EASYFLOUR: Слегка посыпьте тесто мукой с помощью Easyflour.
- E. Закройте рамку, чтобы поднять верхнюю часть и разделить тесто.
- F. Когда индикатор включится снова, откройте рамку.
- G. Извлеките тестозаготовки.

Порядок эксплуатации машины DIVIFORM+ в режиме деления и формовки (fig.12, 13, 14)

- A. Поверните на 1/4 оборота вправо большую нажимную кнопку (аварийный останов) (fig.2, n°10), если она не включена.
- B. Откройте крышку.
- C. Установите пластину для жирной прессовки на дно кюветы.
- D. В случае необходимости слегка посыпьте пластину для жирной прессовки мукой.
ОПЦИЯ EASYFLOUR: Слегка посыпьте мукой пластину в кювете с помощью Easyflour.
- E. Выгрузите тесто в кювету и приблизительно распределите его рукой по поверхности.
ОПЦИЯ EASYFLOUR: Слегка посыпьте мукой пластину в кювете с помощью Easyflour.
- F. Закройте крышку кюветы.
- G. Давление прессовки можно регулировать с правой стороны машины.
- H. Потяните рычаг управления, чтобы поднять верхнюю часть и спрессовать тесто.
- I. Коротко толкните рычаг для декомпрессии и возможности открыть крышку.
- J. Откройте крышку
- K. Закройте рамку.
- L. Потяните рычаг, чтобы разделить тесто.
- M. Коротко толкните рычаг для декомпрессии и возможности открыть рамку.
- N. Откройте рамку.
- O. Потяните рычаг, чтобы поднять верхнюю часть и извлечь тестовые заготовки.

Текущий цикл можно остановить с помощью кнопки аварийного останова.

ОПЦИЯ FULLMATIC: Порядок эксплуатации машины DIVIFORM+ в режиме деления и формовки (fig.12, 15)

- A. Поверните на 1/4 оборота вправо большую нажимную кнопку (аварийный останов) (fig.2, n°10), если она не включена.
- B. Откройте крышку.
- C. Установите пластину для жирной прессовки на дно кюветы.
- D. В случае необходимости слегка посыпьте мукой пластину для жирной прессовки.
- ОПЦИЯ EASYFLOUR: Слегка посыпьте мукой пластину в кювете с помощью Easyflour.
- E. Выгрузите тесто в кювету и приблизительно распределите его рукой по поверхности.
- ОПЦИЯ EASYFLOUR: Слегка посыпьте тесто мукой с помощью Easyflour.
- F. Давление прессовки можно регулировать с помощью ручки регулировки давления, расположенной с правой стороны машины. Время прессовки можно регулировать с помощью кнопки на передней панели.
- G. Закройте крышку, чтобы поднять верхнюю часть и спрессовать тесто.
- H. Когда индикатор включится снова, откройте крышку.
- I. Закройте рамку, чтобы поднять верхнюю часть и разделить тесто.
- J. Когда индикатор включится снова, откройте рамку.
- K. Извлеките тестозаготовки.

Процедура замены решетки системы Click&Cut (fig.16)

- A. Закройте рамку.
- B. Откройте отсек решетки с помощью защелки, расположенной на левой стороне рамки.
- C. Откройте створку отсека решетки.
- D. Извлеките старую решетку.
- E. Вставьте новую решетку.
- F. Захлопните створку отсека решетки.

ОПЦИЯ EASYFLOUR: Процедура наполнения посыпателя муки Easyflour (fig.7)

- A. Откройте крышку посыпателя муки.
- B. Насыпьте муку в зону наполнения посыпателя муки.
- C. Закройте крышку посыпателя муки.
- D. Отрегулируйте расход посыпателя муки с помощью указателя.

8 ТЕХНИЧЕСКОЕ ОБСЛУЖИВАНИЕ

8.1 Ежедневное, выполняется пользователем, прошедшим подготовку.

Установите пластину в нижнее положение и почистите кювету.

Потяните рычаг, чтобы поднять пластину и удалить с помощью пылесоса остатки теста и муки.

ОПЦИЯ FULLMATIC:

Установите пластину в нижнее положение и почистите кювету.

Нажмите на зеленую кнопку, чтобы поднять верхнюю часть, и удалите с помощью пылесоса остатки теста и муки.

8.2 Еженедельное, выполняется пользователем, прошедшим подготовку.

Протрите весь корпус машины с помощью влажной салфетки.

Нажмите на кнопку аварийного останова и снимите боковые дверцы с помощью отвертки.

Почистите пылесосом все внутренние части и механические узлы машины.

Установите на место боковые дверцы.

8.3 Полугодичное, выполняется аккредитованным специалистом.

Установите пластину в нижнее положение.

Нажмите на кнопку аварийного останова и снимите правую боковую дверцу с помощью отвертки.

Проверьте уровень масла. (Уровень должен находиться в 4–5 см от верхнего края алюминиевой скобы).

ПРИМЕЧАНИЕ. Ниже приведен неполный список совместимых гидравлических масел:

| | |
|---------|--------------|
| CONDAT | HYDROLUB S46 |
| ELF | HYDRELF DS46 |
| CASTROL | AYSPIN AWS46 |
| TOTAL | AZOLLA ZS32 |

Проверьте внесение аккредитованным специалистом записи о выполненной работе в журнал технического обслуживания для сохранения 5-летней гарантии.

9 **РАСХОДНЫЕ МАТЕРИАЛЫ**

При заказе запасной части проверьте вместе с аккредитованным специалистом, о какой детали идет речь, по каталогу запасных частей, выпускаемому производителем.

Всегда уточняйте номер машины, указанный на заводском щитке.

Заказ в компании JAC может разместить ваш аккредитованный специалист.

9.1 Список РАСХОДНЫХ МАТЕРИАЛОВ

| ITEM CODE | NEW DESCRIPTION | MODEL |
|---------------|---------------------|-----------|
| F1500004 | LID SPRING | DIVIFORM+ |
| 10040012 | WEAR PLATE | ALL |
| HUILEHYDROS46 | HYDRAULIC OIL | ALL |
| F140000311 | DOUBLE EXCENTRIC | ALL |
| F1513364 | RH CLICK&CUT SPRING | ALL |
| F1513326 | LOCK PIN | ALL |

ВНИМАНИЕ! Перед выполнением любых ремонтных работ машина должна быть отключена от электроснабжения.

| Проблема | Проверка |
|---|---|
| Машина не запускается | Проверить общее питание и питание двигателя. Проверить срабатывание термореле. |
| Гидравлическая установка работает, но верхняя часть не поднимается. | Поменять местами 2 фазы на разъеме машины. |
| У машины недостаточная мощность. | Проверить уровень масла. Уровень должен находиться в 4–5 см от верхнего края. |
| Верхняя часть поднимается, но ножи не выходят. | Обратиться к своему техническому специалисту. |
| Наличие масла на полу. | Обратиться к своему техническому специалисту. |
| ОПЦИЯ FULLMATIC: Зеленый индикатор быстро мигает | Включите аварийный останов |



Если проблема не устраняется, обратитесь к вашему техническому специалисту.

11 СПИСОК КОМПЛЕКТУЮЩИХ НА ИЗОБРАЖЕНИЯХ

| Изображение | Номер | Название |
|-------------|-------|--|
| 1 | 1 | Система блокировки решетки Easylock |
| | 2 | Кювета |
| | 3 | Дно кюветы |
| | 4 | Скоба для защиты/транспортировки |
| | 5 | Заблокированное колесико |
| | 6 | Крышка для прессовки (DIVIFORM+) |
| | 7 | Рамка |
| | 8 | Рукоятка дверцы |
| | 9 | Регулировка давления (DIVIFORM+) |
| 2 | 10 | Аварийный останов |
| | 11 | Рычаг подъема или опускания дна кюветы |
| 3 | 12 | Рабочая зона |
| 6 | 13 | Рычаг регулировки давления (DIVIFORM+) |
| 12 | 14 | Пиктограмма, предупреждающая об опасности поражения электрическим током. |
| | 15 | Электросхема |

| | | |
|-----------|--|-----------|
| 1 | ANTES DE LA PUESTA EN SERVICIO..... | 60 |
| 2 | GARANTÍA | 60 |
| 3 | ADVERTENCIAS..... | 61 |
| 4 | CARACTERÍSTICAS TÉCNICAS..... | 62 |
| 4.1 | Características técnicas..... | 62 |
| 4.2 | Detalle de materiales en contacto directo con la masa..... | 62 |
| 5 | INSTALACIÓN Y PUESTA EN SERVICIO..... | 62 |
| 5.1 | Desembalaje de la máquina:..... | 62 |
| 5.2 | Ubicación: | 63 |
| 5.3 | Conexión eléctrica:..... | 63 |
| 5.4 | Puesta en servicio: | 63 |
| 5.5 | Peligro: | 64 |
| 6 | CUADRO DE CONTROL Y DE SEGURIDAD..... | 64 |
| 6.1 | Cuadro de control:..... | 64 |
| 6.2 | Zona de ajuste: | 64 |
| 6.3 | Área de trabajo: | 64 |
| 7 | USO..... | 64 |
| 8 | LIMPIEZA..... | 66 |
| 8.1 | Diaria por un usuario formado..... | 66 |
| 8.2 | Semanal por un usuario formado..... | 66 |
| 8.3 | Semestral por un agente autorizado..... | 66 |
| 9 | CONSUMIBLES..... | 67 |
| 9.1 | Lista de CONSUMIBLES..... | 67 |
| 10 | INCIDENTES DE FUNCIONAMIENTO..... | 67 |
| 11 | LISTA DE COMPONENTES DE LAS FIGURAS..... | 68 |

1 ANTES DE LA PUESTA EN SERVICIO

Gracias por elegir una solución JAC. Lea con atención este manual de uso antes de instalar y poner en servicio esta máquina. De esta forma, usted puede protegerse y evitar el deterioro de su máquina.

Este manual hace referencia a distintas figuras con el fin de facilitar la comprensión de las instrucciones. Estas figuras se encuentran al final del manual. Consúltelas cuando vea los siguientes símbolos: fig.X, n°Y.

Para que el funcionamiento de su máquina sea satisfactorio a lo largo de los próximos años, le invitamos a que lea los siguientes consejos:

- Solicite ayuda a su agente autorizado para la instalación, la puesta en servicio y el seguimiento.
- Para poder beneficiarse de la garantía de 5 años (consulte las condiciones recogidas a continuación), solicite a su distribuidor que complete la tarjeta de mantenimiento al instalar su máquina. Esta tarjeta de mantenimiento se encuentra en la parte trasera de su máquina.

2 GARANTÍA



JAC ofrece una garantía de 5 años en todos sus productos.

Esta garantía es válida para todas las piezas de su máquina, incluidas las electrónicas, excluyendo los consumibles. La garantía entra en vigor a partir de la fecha de instalación del material.

Con las siguientes condiciones restrictivas:

- El material debe haberse adquirido a un revendedor autorizado.
- La instalación deberá efectuarla un agente autorizado.
- El material debe utilizarse conforme a las indicaciones del manual de uso y para la finalidad para la que ha sido fabricado.
- El mantenimiento diario del material debe efectuarse conforme a las indicaciones del manual de uso.
 - El agente autorizado debe hacer un seguimiento del mantenimiento conforme a las especificaciones de mantenimiento, como mínimo, una vez al año (mantenimiento a cargo del usuario).
 - Deben utilizarse exclusivamente piezas originales JAC.



Si un agente autorizado no efectúa el seguimiento del mantenimiento y/o la tarjeta de mantenimiento no está cumplimentada correctamente, la garantía se limita a un año.

Esta garantía no cubre:

- La sustitución de consumibles (§9).
- Las piezas que nuestros servicios no reconozcan como defectuosas.
- Los problemas derivados de un uso anormal del material.
- Los problemas derivados de una instalación no efectuada por un agente autorizado.

- Las piezas o los problemas causados por daños en el transporte o por un mantenimiento inadecuado.

Una reparación y/o una sustitución de piezas defectuosas efectuadas durante el periodo de garantía no supondrá la prolongación de dicha garantía.

3 ADVERTENCIAS

Es muy importante conservar este manual de uso junto con el aparato para futuras consultas. Si este aparato se vende o se transfiere a otra persona, asegúrese de que se le entrega también el manual de uso para que el usuario pueda estar informado de su funcionamiento y de las advertencias que se recogen aquí.



Estas advertencias se dan por su seguridad y la de los demás. Le rogamos que las lea con atención antes de instalar y utilizar el aparato.

Esta máquina está diseñada para su uso por adultos autorizados. Asegúrese de que los niños no la toquen o que no la usen como un juguete.

Esta máquina está destinada únicamente a un uso profesional.

Es peligroso modificar o intentar modificar las características de esta máquina.

Después de instalar la máquina, asegúrese de que no aplasta el cable de alimentación.

Siga las instrucciones de uso.

Esta máquina debe almacenarse y utilizarse dentro de un local, protegida de la humedad y del calor.

Esta máquina debe estar suficientemente iluminada para efectuar el trabajo.

Esta máquina tiene un nivel sonoro inferior a 70 dB(A) según la norma EN ISO 3744.

Esta máquina debe utilizarla una sola persona a la vez (salvo indicación contraria).



Desconecte siempre la toma de corriente antes de proceder a la limpieza interior y exterior del aparato y a las operaciones de mantenimiento.

Este aparato es pesado. Tome todas las precauciones de seguridad durante su mantenimiento.

4 CARACTERÍSTICAS TÉCNICAS

4.1 Características técnicas

| | DIVIFORM | DIVIFORM+ |
|--|--|-----------|
| Altura con la tapa abierta o con la rejilla abierta (mm) | 1680 | 1761 |
| Anchura (mm) | 600 | |
| Profundidad (mm) | 810 | |
| Embalaje (mm) | 790 x 880 x 1310 | |
| Peso neto (k) | 260 | 285 |
| Peso neto + embalaje (k) | 280 | 305 |
| Potencia del motor (kW) | 1,5 | |
| Tipo de motor | Trifásico | |
| 220 v - 50 Hz (A) | 8 | |
| 380 v - 50 Hz (A) | 4,5 | |
| Cadencia en división de moldeo (piezas/hora) | De 400 a 3000 según el tipo de rejilla | |
| Peso de los pastones en división de moldeo mín./máx. (g) | De 19 a 1000 según el tipo de rejilla | |
| Capacidad de la cuba (k) | 5 | |

Para un funcionamiento perfecto, la tasa de hidratación debe de ser del:
55 % como mínimo para la Diviform+
70 % como mínimo para la Diviform

4.2 Detalle de materiales en contacto directo con la masa.

Cuba cuadrada: INOX 304

Tapa: Aluminio AISi 10 Mg

5 INSTALACIÓN Y PUESTA EN SERVICIO

5.1 Desembalaje de la máquina:

Las máquinas que salen de nuestros talleres se entregan en palés atados y protegidos con cartón. Antes de realizar cualquier acción, debe observarse el embalaje e informar al transportista de cualquier daño debido al transporte.

- Quite el cartón.
- Quite las carcasas laterales de la máquina para tener acceso a los tornillos que sujetan la máquina en el palé.
- Separe la máquina del palé desatornillando los 4 tornillos que bloquean la máquina (fig.4).
- Baje la máquina del palé. Efectúe esta operación entre dos personas como mínimo para amortiguar al máximo el contacto con el suelo.
- Coloque el marco en su soporte asegurándose de que el muelle está en el lado correcto (fig.5).

F. OPCIÓN EASYFLOUR: Colocar la harinadora (fig.6) y llenarla (fig.7) de harina

Después de desembalar su máquina, compruebe que no ha sufrido daños durante el transporte. Infórmenos de cualquier anomalía.

5.2 Ubicación:

Para obtener un rendimiento excelente y una fiabilidad a largo plazo, elija una ubicación que esté:

Bien ventilada, protegida de los rayos directos del sol y alejada de fuentes de calor, con una superficie plana y robusta y sin vibraciones.

5.3 Conexión eléctrica:

IMPORTANTE: La toma de tierra es obligatoria.

Es aconsejable proteger la instalación con un fusible y un disyuntor diferencial.

La instalación eléctrica que suministra energía a la máquina debe estar protegida tal y como se indica a continuación:

- América del Norte: Protección 15 A.

- Resto del mundo: Protección 16 A.

Las máquinas equipadas con un variador deben estar conectadas obligatoriamente a una caja de derivación en una línea equipada con un diferencial de 300 mA.

Nota: La garantía no cubrirá cualquier problema ocasionado por una conexión de otro tipo.

Antes de conectar su máquina a la red y con el fin de evitar una avería del motor al encenderla, es importante comprobar la adecuación de la red de alimentación a las características de la máquina (consulte la placa informativa de la máquina).

Este aparato cumple con las directivas sobre máquinas 2006/42, 2014/35 y 2014/30 y lleva el marcado CE que lo certifica.

Consulte los pictogramas de seguridad que figuran en la máquina:



Pictograma que indica un riesgo de electrocución. Desconecte la máquina antes de cualquier intervención en esta. Lo encontrará dentro de la máquina, en la caja eléctrica (fig.12, n°14)

Encontrará el esquema eléctrico de la máquina dentro de la puerta izquierda de la divisora (fig.12, n°15)

5.4 Puesta en servicio:

Antes de la puesta en servicio, asegúrese de que no queda ningún objeto sobrante en las partes en movimiento de la máquina.

En primer lugar, y después de comprobar que la toma de corriente se ajusta a las características eléctricas de la máquina, asegúrese de que el motor gira en el sentido correcto. Para ello, es necesario que el cabezal suba cuando tira de la palanca de control hacia usted. En caso contrario, desconecte la toma de corriente e inviértala 2 fases.

OPCIÓN FULLMATIC: Cuando encienda la máquina y el botón verde parpadee, presione debajo del botón para iniciar la máquina. Si el cabezal no sube durante este paso y el indicador parpadea rápidamente, desenchufe la máquina e invierta 2 fases.

Para utilizar la máquina, consulte el apartado «Uso».

5.5 **Peligro:**

En caso de peligro para el usuario o para la máquina, debe utilizar el interruptor general para cortar la alimentación de la máquina.

Quite el enchufe de la toma de corriente antes de efectuar cualquier operación de mantenimiento y de limpieza.

Cualquier operación de mantenimiento o de sustitución de piezas debe efectuarla un agente autorizado.

6 **CUADRO DE CONTROL Y DE SEGURIDAD**

6.1 **Cuadro de control:**

(fig.2)

Su máquina está equipada de serie con un pupitre de control mecánico (fig.2).

6.2 **Zona de ajuste:**

La zona de ajuste de la presión está situada en el lado derecho de la máquina (DIVIFORM+) (fig.6, n°13)

OPCIÓN FULLMATIC: la zona de ajuste del tiempo de presión y el selector media cuba/cuba completa están situados en la parte delantera de la máquina (fig.2).

6.3 **Área de trabajo:**

El área de trabajo está situada en la parte delantera de la máquina (fig.3, n°12)

7 **USO**

Procedimiento de uso de DIVIFORM en división de moldeo (fig.9, 10)

- A. Gire 1/4 de vuelta hacia la derecha el botón de parada de emergencia (fig.2, n°10) si no está accionado.
- B. Coloque la plancha de compresión de grasa en el fondo de la cuba.
- C. Si es necesario, harine ligeramente la parte superior de la plancha de compresión de grasa.
OPCIÓN EASYFLOUR: Harine ligeramente la parte superior de la plancha de la cuba con ayuda de Easyflour.
- D. Vierta la masa en la cuba y repártala con la mano.
- E. OPCIÓN EASYFLOUR: Harine ligeramente la parte superior de la plancha de la cuba con ayuda de Easyflour.
- F. Cierre el marco.
- G. Tire de la palanca para dividir la masa.
- H. Pulse brevemente la palanca para descomprimir y así poder abrir el marco.

- I. Abra el marco.
- J. Tire de la palanca para que suba el cabezal y recoger los pastones.

El botón de detención de emergencia permite detener un ciclo en curso.

OPCIÓN FULLMATIC: Procedimiento de uso de DIVIFORM en división de moldeo (fig.9, 11)

- A. Gire 1/4 de vuelta hacia la derecha el botón de parada de emergencia (fig.2, n°10) si no está accionado.
- B. Coloque la placa de compresión de grasa en el fondo de la cuba.
- C. Si es necesario, harine ligeramente la parte superior de la placa de compresión de grasa.
OPCIÓN EASYFLOUR: Harine ligeramente la parte superior de la plancha de la cuba con ayuda de Easyflour.
- D. Vierta la masa en la cuba y repártala con la mano.
OPCIÓN EASYFLOUR: Harine ligeramente la parte superior de la masa con ayuda de Easyflour.
- E. Cierre el marco para que suba el cabezal y dividir la masa.
- F. Cuando se vuelva a encender el indicador, abra el marco.
- G. Recoja los pastones.

Procedimiento de uso de DIVIFORM+ en división de moldeo (fig.12, 13, 14)

- A. Gire 1/4 de vuelta hacia la derecha el botón de parada de emergencia (fig.2, n°10) si no está accionado.
- B. Abra la tapa.
- C. Coloque la plancha de compresión de grasa en el fondo de la cuba.
- D. Si es necesario, harine ligeramente la parte superior de la plancha de compresión de grasa.
OPCIÓN EASYFLOUR: Harine ligeramente la parte superior de la plancha de la cuba con ayuda de Easyflour.
- E. Vierta la masa en la cuba y repártala someramente con la mano.
OPCIÓN EASYFLOUR: Harine ligeramente la parte superior de la plancha de la cuba con ayuda de Easyflour.
- F. Cierre la tapa de la cuba.
- G. Puede ajustar la presión de amontonamiento en el lado derecho de la máquina.
- H. Tire de la palanca de mando para que suba el cabezal y amontonar la masa.
- I. Pulse brevemente la palanca para descomprimir y así poder abrir la tapa.
- J. Abra la tapa.
- K. Cierre el marco.
- L. Tire de la palanca para dividir la masa.
- M. Pulse brevemente la palanca para descomprimir y así poder abrir el marco.
- N. Abra el marco.
- O. Tire de la palanca para que suba el cabezal y recoger los pastones.

El botón de detención de emergencia permite detener un ciclo en curso.

OPCIÓN FULLMATIC: Procedimiento de uso de DIVIFORM+ en división de moldeo (fig.12, 15)

- A. Gire 1/4 de vuelta hacia la derecha el botón de parada de emergencia (fig.2, n°10) si no está accionado.
- B. Abra la tapa.
- C. Coloque la placa de compresión de grasa en el fondo de la cuba.
- D. Si es necesario, harine ligeramente la parte superior de la placa de compresión de grasa.
OPCIÓN EASYFLOUR: Harine ligeramente la parte superior de la plancha de la cuba con ayuda de Easyflour.
- E. Vierta la masa en la cuba y repártala someramente con la mano.
OPCIÓN EASYFLOUR: Harine ligeramente la parte superior de la masa con ayuda de Easyflour.
- F. Puede ajustar la presión de amontonamiento con el asa de ajuste de presión situada en el lado derecho de la máquina, y el tiempo de amontonamiento con el botón frontal.

- G. Cierre la tapa para que suba el cabezal y amontonar la masa.
- H. Cuando se vuelva a encender el indicador, abra la tapa.
- I. Cierre el marco para que suba el cabezal y dividir la masa.
- J. Cuando se vuelva a encender el indicador, abra el marco.
- K. Recoja los pastones.

Procedimiento de cambio de rejilla con el sistema Click&Cut (fig.11)

- A. Cierre el marco.
- B. Abra el compartimento de la rejilla con el pestillo situado en el lado izquierdo del marco.
- C. Abra la tapa del compartimento de la rejilla.
- D. Quite la antigua rejilla.
- E. Introduzca la nueva rejilla.
- F. Cierre la tapa del compartimento de la rejilla.

OPCIÓN EASYFLOUR: Procedimiento de llenado de la harinadora Easyflour (fig.7)

- A. Abra la tapa de la harinadora.
- B. Vierta la harina en la zona de llenado de la harinadora.
- C. Cierre la tapa de la harinadora.
- D. Ajuste el flujo de la harinadora con el cursor.

8 LIMPIEZA

8.1 Diaria por un usuario formado.

Sitúe el plato en posición baja y limpie la cuba.
Tire de la palanca para que suba el plato y aspirar los residuos de masa y de harina.

OPCIÓN FULLMATIC:

Sitúe el plato en posición baja y limpie la cuba.
Pulse el botón verde para que suba el cabezal y aspirar los residuos de masa y de harina.

8.2 Semanal por un usuario formado.

Lave todo el chasis con un paño húmedo.
Accione el botón de detención de emergencia y quite las puertas laterales con un destornillador.
Aspire todas las partes interiores de la máquina y las partes mecánicas.
Vuelva a colocar las puertas laterales.

8.3 Semestral por un agente autorizado.

Coloque el plato en posición baja.
Accione el botón de detención de emergencia y quite la puerta lateral derecha con un destornillador.
Compruebe el nivel de aceite. (El nivel debe situarse a entre 4 y 5 cm del borde superior de la brida de aluminio).

NOTA: A continuación, encontrará una lista no exhaustiva de los aceites hidráulicos compatibles:

| | |
|---------|--------------|
| CONDAT | HYDROLUB S46 |
| ELF | HYDRELF DS46 |
| CASTROL | AYSPIN AWS46 |
| TOTAL | AZOLLA ZS32 |

Compruebe que su agente autorizado registre su intervención en su tarjeta de mantenimiento para conservar su garantía de 5 años.

9 CONSUMIBLES

Al pedir una pieza de recambio, compruebe con su agente autorizado de qué pieza se trata con base en el catálogo de piezas de recambio del fabricante.

Indique siempre el número de máquina tal y como se indica en la placa informativa.

Su agente efectuará el pedido a JAC.

9.1 Lista de CONSUMIBLES

| REFERENCIA | NUEVA ETIQUETA | MODELO |
|---------------|--------------------------|-----------|
| F1500004 | MUELLE DE TAPA | DIVIFORM+ |
| 10040012 | PLACA DE DESGASTE | TODAS |
| HUILEHYDROS46 | ACEITE HIDRÁULICO | TODAS |
| F140000311 | EXCÉNTRICO DOBLE | TODAS |
| F1513364 | MUELLE CLICK&CUT DERECHO | TODAS |
| F1513326 | EJE DE BLOQUEO | TODAS |

10 INCIDENTES DE FUNCIONAMIENTO

ATENCIÓN: Para cualquier intervención, la máquina deberá estar desenchufada obligatoriamente.

| Problema | Comprobación |
|---|--|
| La máquina no se pone en funcionamiento | Compruebe la alimentación general y del motor. Compruebe si se ha activado el relé térmico. |
| La central hidráulica empieza a funcionar, pero el cabezal no sube | Invierta 2 fases en la toma de la máquina. |
| A la máquina le falta potencia | Compruebe el nivel de aceite. El nivel debe situarse a entre 4 y 5 cm del borde superior. |
| El cabezal sube, pero las cuchillas no salen | Contacte con su técnico. |
| Hay aceite en el suelo | Contacte con su técnico. |
| OPCIÓN FULLMATIC: El indicador verde parpadea rápidamente | Accione el botón de detención de emergencia |



Si el problema persiste, póngase en contacto con su técnico.

11 LISTA DE COMPONENTES DE LAS FIGURAS

| Figura | Número | Nombre |
|---------------|---------------|--|
| 1 | 1 | Sistema de bloqueo de rejilla Easylock |
| | 2 | Cuba |
| | 3 | Fondo de la cuba |
| | 4 | Asa de protección |
| | 5 | Rueda frenada |
| | 6 | Tapa de amontonamiento (DIVIFORM+) |
| | 7 | Marco |
| | 8 | Asa de puerta |
| | 9 | Ajuste de la presión (DIVIFORM+) |
| 2 | 10 | Detención de emergencia |
| | 11 | Palanca de subida o de bajada del fondo de la cuba |
| 3 | 12 | Área de trabajo |
| 6 | 13 | Palanca de ajuste de la presión (DIVIFORM+) |
| 12 | 14 | Pictograma que indica un riesgo de electrocución |
| | 15 | Esquema eléctrico |

| | | |
|-----------|--|-----------|
| 1 | PRIMA DELLA MESSA IN FUNZIONE | 70 |
| 2 | GARANZIA | 70 |
| 3 | AVVERTENZE | 71 |
| 4 | CARATTERISTICHE TECNICHE | 72 |
| 4.1 | Caratteristiche tecniche..... | 72 |
| 4.2 | Dettaglio materiali in contatto con la pasta. | 72 |
| 5 | INSTALLAZIONE E MESSA IN FUNZIONE | 72 |
| 5.1 | Disimballo della macchina:..... | 72 |
| 5.2 | Posizionamento: | 73 |
| 5.3 | Collegamento elettrico:..... | 73 |
| 5.4 | Messa in servizio: | 73 |
| 5.5 | Pericolo: | 74 |
| 6 | ORGANO DI COMANDO E DI SICUREZZA | 74 |
| 6.1 | Organo di comando:..... | 74 |
| 6.2 | Zona di regolazione:..... | 74 |
| 6.3 | Zona di lavoro:..... | 74 |
| 7 | UTILIZZO | 74 |
| 8 | MANUTENZIONE | 76 |
| 8.1 | Quotidiana da parte di un utilizzatore addestrato. | 76 |
| 8.2 | Settimanale da parte di un utilizzatore addestrato..... | 76 |
| 8.3 | Semestrale da parte di un tecnico addestrato..... | 76 |
| 9 | COMPONENTI DI CONSUMO | 77 |
| 9.1 | Elenco dei COMPONENTI DI CONSUMO | 77 |
| 10 | INCIDENTI DI FUNZIONAMENTO | 77 |
| 11 | ELENCO DEI COMPONENTI INDICATI NELLE FIGURE | 78 |

1 PRIMA DELLA MESSA IN FUNZIONE

Grazie per aver scelto una soluzione JAC. Si invita a leggere con attenzione queste note informative prima di procedere all'installazione e alla messa in servizio di questa macchina. Contengono informazioni su come proteggersi e come evitare il deterioramento della macchina.

Queste informazioni fanno riferimento a diverse figure, in modo da facilitare la comprensione delle istruzioni. Le figure si trovano al fondo delle informazioni. Si invita a farvi riferimento quando si incontrano i seguenti simboli (fig. X, n. Y).

Per una totale soddisfazione dall'utilizzo della macchina nei prossimi anni, si invita a tenere presenti i seguenti consigli:

- Farsi aiutare dal tecnico autorizzato per l'installazione, la messa in servizio e il follow-up.
- Per beneficiare della garanzia di 5 anni (vedere le condizioni riportate in seguito), far compilare dal distributore, il libretto di manutenzione al momento dell'installazione della macchina. Il libretto di manutenzione si trova nella parte posteriore della macchina.

2 GARANZIA



JAC offre una garanzia di 5 anni su tutti i suoi prodotti.

Questa garanzia è valida su tutte le parti della macchina, comprese quelle elettroniche, a parte i componenti di consumo. La garanzia entra in vigore a partire dalla data di installazione del materiale.

Secondo le seguenti condizioni restrittive:

- Materiale acquistato presso un rivenditore autorizzato.
- Installazione effettuata da un tecnico autorizzato.
- Utilizzo del materiale conformemente alle indicazioni sul modo di utilizzo e nel rispetto della finalità per la quale è stato fabbricato.
- Materiale quotidianamente mantenuto nel rispetto delle indicazioni delle modalità di utilizzo.
- Manutenzioni successive da parte del tecnico autorizzato conformemente alle specifiche di manutenzione con, al minimo, una manutenzione l'anno (manutenzione a carico dell'utente).
- L'utilizzo esclusivo di parti originali JAC.



Se non si eseguono interventi di manutenzione da parte di un tecnico autorizzato e/o il libretto di manutenzione non è correttamente completato, la garanzia si limita ad un anno.

Questa garanzia non copre:

- La sostituzione dei componenti di consumo (§9).
- Le parti non riconosciute difettose dai nostri servizi.
- I problemi derivanti da un utilizzo anomalo del materiale.
- I problemi derivanti da un'installazione non effettuata da un tecnico autorizzato.

- Le parti o i problemi derivanti da un danno di trasporto o da una manutenzione inadeguata.

Una riparazione e/o una sostituzione di parti difettose effettuate durante il periodo di garanzia non producono l'effetto di prolungare detta garanzia.

3 AVVERTENZE

È molto importante che le istruzioni per l'utilizzo siano conservate con l'apparecchio per ogni consultazione futura. Se questo macchinario deve essere venduto o trasferito ad un'altra persona, accertarsi che le istruzioni per l'utilizzo siano consegnate all'utente destinatario in modo che possa essere informato sul funzionamento e sui messaggi di avvertenza ad esso riferiti.



Tali avvertenze sono fornite per la vostra sicurezza e per quella altrui. Si prega di leggerle con attenzione prima di installare e utilizzare il macchinario.

Questa macchina è stata progettata per essere utilizzata da adulti autorizzati. Accertarsi quindi che i bambini non le si avvicinino e che non la utilizzino come un giocattolo.

Questa macchina è destinata unicamente ad un uso professionale.

È pericoloso modificare o provare a modificare le caratteristiche di questa macchina.

Accertarsi dopo averla installata, che non appoggi sul cavo di alimentazione.

Seguire le istruzioni fornite per l'utilizzo.

Questa macchina deve essere sistemata e utilizzata all'interno di un locale, al riparo da umidità e calore.

Deve essere illuminata a sufficienza per poter funzionare.

La macchina produce un livello di rumore inferiore a 70 dB(A), conforme alla norma EN ISO 3744.

La macchina deve essere utilizzata da una sola persona per volta (salvo prescrizioni contrarie).



Staccare sempre il cavo di alimentazione prima di procedere alla pulizia interna/esterna del macchinario e alle operazioni di manutenzione.

Questo macchinario è pesante. Adottare tutte le precauzioni di sicurezza al momento della manutenzione.

4 CARATTERISTICHE TECNICHE

4.1 Caratteristiche tecniche

| | DIVIFORM | DIVIFORM+ |
|--|--|-----------|
| Altezza coperchio aperto o griglia aperta (mm) | 1680 | 1761 |
| Larghezza (mm) | 600 | |
| Profondità (mm) | 810 | |
| Imballaggio (mm) | 790 x 880 x 1310 | |
| Peso netto (kg) | 260 | 285 |
| Peso NETTO + imballaggio (kg) | 280 | 305 |
| Potenza motore (kW) | 1.5 | |
| Tipo di motore | Trifase | |
| 220v - 50Hz (A) | 8 | |
| 380v - 50Hz (A) | 4.5 | |
| Ritmo di divisione-formatura (pezzi/h) | Da 400 a 3000 in base al tipo di griglia | |
| Peso degli impasti in divisione-formatura mini/maxi (gr) | Da 19 a 1000 in base al tipo di griglia | |
| Capacità della vasca (kg) | 5 | |

Per un funzionamento perfetto, il tasso di idratazione deve essere del:
55% minimo per la Diviform+
70% minimo per la Diviform

4.2 Dettaglio materiali in contatto con la pasta.

Vasca quadrata: INOX 304

Coperchio: Alluminio AISi10Mg

5 INSTALLAZIONE E MESSA IN FUNZIONE

5.1 Disimballo della macchina:

Le macchine sono consegnate, franco fabbrica, su pallet, legate con cinghie e protette con pannelli di cartone. Prima di tutto, occorre esaminare l'imballaggio e ogni danno dovuto al trasporto deve essere dichiarato direttamente all'addetto alla consegna.

- Togliere il cartone.
- Togliere le protezioni laterali della macchina per guadagnare accesso alle viti che mantengono la macchina sul pallet.
- Staccare la macchina dal pallet svitando le 4 viti che la bloccano (fig. 9).
- Far scendere la macchina dal pallet. Accertarsi di essere almeno in due per questa operazione per ammortizzare al meglio il contatto con il terreno.
- Posizionare la struttura sul relativo supporto, accertandosi di averla montata nel verso giusto (fig.5).

F. OPZIONE EASYFLOUR: Posizionare l'infarinatore (fig.6) e riempirlo (fig.7) con la farina

Dopo il disimballo della macchina, verificare che non abbia subito danni durante il trasporto. Segnalare ogni anomalia.

5.2 Posizionamento:

Per ottenere performance eccellenti e affidabilità a lungo termine, scegliere una posizione:

Ben ventilata, al riparo dai raggi solari diretti e lontano da fonti di calore, con una superficie piana, robusta e priva di vibrazioni.

5.3 Collegamento elettrico:

IMPORTANTE: Messa a terra obbligatoria.

Si consiglia di proteggere l'impianto con un fusibile e un salvavita.

L'impianto elettrico che alimenta la macchina deve essere protetto secondo quanto indicato qui di seguito:

- Nord America: Protezione 15 A;
- Resto del mondo: Protezione 16 A.

Le macchine dotate di variatore, devono necessariamente essere collegate ad una scatola di derivazione su di una linea dotata di salvavita da 300 mA.

Nota: Ogni problema derivante da un altro tipo di collegamento non sarà preso in considerazione ai fini della garanzia.

Prima di collegare la macchina alla rete e onde evitare una dismissione del motore all'avvio, è importante verificare la compatibilità della rete di alimentazione con le caratteristiche della macchina (vedere la relativa targa segnaletica).

Questo apparecchio è conforme alle Direttive Macchine 2006/42, 2014/35, 2014/30 e reca la marcatura CE che attesta detta conformità.

Si invita a prendere visione della segnaletica di sicurezza che figura sulla macchina:



Segnale che indica un rischio di folgorazione. Scollegare la macchina prima di eseguire qualsiasi intervento. Si trova all'interno della macchina sul quadro elettrico (fig. 12, n. 14).

All'interno dello sportello sinistro della spezzatrice si trova lo schema elettrico della macchina (fig.12, n. 15).

5.4 Messa in servizio:

Prima della messa in servizio, accertarsi che non vi siano oggetti estranei sulle parti in movimento della macchina.

Accertarsi innanzitutto (dopo aver verificato le connessioni elettriche) che il motore giri nella direzione giusta, ovvero che la testa salga quando si tira a sé la leva di comando. Se no è questo il caso, staccare la presa e invertire 2 fasi al suo interno.

OPZIONE FULLMATIC: Al momento dell'alimentazione, il pulsante verde lampeggia, premerlo per avviare l'inizializzazione. Se la testa non sale in questa fase e l'indicatore lampeggia rapidamente, staccare la presa e invertire le 2 fasi.

Per l'utilizzo della macchina, fare riferimento al capitolo "Utilizzo".

5.5 Pericolo:

In caso di pericolo per l'utente o per la macchina, utilizzare l'interruttore generale per interrompere l'alimentazione della macchina.

Non avvicinarsi ai ripiani a bilanciere quando sono in movimento.

Estrarre la scheda della presa elettrica prima di ogni operazione di manutenzione o di assistenza.

Ogni operazione di manutenzione o sostituzione delle parti deve essere effettuata da un tecnico autorizzato.

6 ORGANNO DI COMANDO E DI SICUREZZA

6.1 Organo di comando:

(fig.2)

La macchina è dotata di serie di un pannello di comando meccanico

6.2 Zona di regolazione:

La zona di regolazione della pressione di trova sul lato destro della macchina (DIVIFORM+) (fig. 6, n. 13).

OPZIONE FULLMATIC: la zona di regolazione del tempo di pressione e il selettore mezza vasca/vasca piena si trova nella parte anteriore della macchina (fig. 2)

6.3 Zona di lavoro:

La zona di lavoro si trova nella parte anteriore alla macchina (fig. 3 n. 12).

7 UTILIZZO

Procedura di utilizzo DIVIFORM nella spezzatura-formatura (fig. 9, 10)

- A. Ruotare di 1/4 di giro verso destra il pulsante a fungo (arresto d'emergenza) (fig. 2, n. 10), se non è azionato.
- B. Posizionare la piastra premigrasso sul fondo della vasca.
- C. Se occorre, infarinare leggermente la parte superiore della piastra premigrasso.
OPZIONE EASYFLOUR: Infarinare leggermente la parte superiore della piastra nella vasca servendosi di Easyflour.
- D. Versare l'impasto nella vasca e suddividerlo a mano.
OPZIONE EASYFLOUR: Infarinare leggermente la parte superiore della piastra nella vasca servendosi di Easyflour.
- E. Chiudere il telaio.
- F. Tirare la leva per dividere l'impasto.
- G. Spingere brevemente la leva per decomprimere e aprire il telaio.
- H. Aprire il telaio.
- I. Tirare la leva per far salire la testa e recuperare le forme.

Il tasto di arresto d'emergenza consente di fermare un ciclo in corso.

OPZIONE FULLMATIC: Procedura di utilizzo DIVIFORM nella spezzatura-formatura (fig. 9, 11)

A. Ruotare di 1/4 di giro verso destra il pulsante a fungo (arresto d'emergenza) (fig. 2, n. 10), se non è azionato.

B. Posizionare la piastra premigrasso sul fondo della vasca.

C. Se occorre, infarinare leggermente la parte superiore della piastra premigrasso.

OPZIONE EASYFLOUR: Infarinare leggermente la parte superiore della piastra nella vasca servendosi di Easyflour.

D. Versare l'impasto nella vasca e suddividerlo a mano.

OPZIONE EASYFLOUR: Infarinare leggermente la parte superiore della pasta servendosi di Easyflour.

E. Chiudere il telaio per far salire la testa e dividere l'impasto.

F. Se l'indicatore si riaccende, aprire il telaio.

G. Recuperare gli impasti.

Procedura di utilizzo DIVIFORM+ nella spezzatura-formatura (fig. 12, 13, 14)

A. Ruotare di 1/4 di giro verso destra il pulsante a fungo (arresto d'emergenza) (fig. 2, n. 10), se non è azionato.

B. Aprire il coperchio.

C. Posizionare la piastra premigrasso sul fondo della vasca.

D. Se occorre, infarinare leggermente la parte superiore della piastra premigrasso.

OPZIONE EASYFLOUR: Infarinare leggermente la parte superiore della piastra nella vasca servendosi di Easyflour.

E. Versare l'impasto nella vasca e suddividerlo grossolanamente a mano.

OPZIONE EASYFLOUR: Infarinare leggermente la parte superiore della piastra nella vasca servendosi di Easyflour.

F. Chiudere il coperchio della vasca.

G. È possibile regolare la pressione di compressione a destra della macchina.

H. Tirare la leva di comando per far salire la testa e compattare l'impasto.

I. Spingere brevemente la leva per decomprimere e aprire il coperchio.

J. Aprire il coperchio.

K. Chiudere il telaio.

L. Tirare la leva per dividere l'impasto.

M. Spingere brevemente la leva per decomprimere e aprire il telaio.

N. Aprire il telaio.

O. Tirare la leva per far salire la testa e recuperare le forme.

Il tasto di arresto d'emergenza consente di fermare un ciclo in corso.

OPZIONE FULLMATIC: Procedura di utilizzo DIVIFORM+ nella spezzatura-formatura (fig. 12, 15)

A. Ruotare di 1/4 di giro verso destra il pulsante a fungo (arresto d'emergenza) (fig. 2, n. 10), se non è azionato.

B. Aprire il coperchio.

C. Posizionare la piastra premigrasso sul fondo della vasca.

D. Se occorre, infarinare leggermente la parte superiore della piastra premigrasso.

OPZIONE EASYFLOUR: Infarinare leggermente la parte superiore della piastra nella vasca servendosi di Easyflour.

E. Versare l'impasto nella vasca e suddividerlo grossolanamente a mano.

OPZIONE EASYFLOUR: Infarinare leggermente la parte superiore della pasta servendosi di Easyflour.

- F. È possibile regolare la pressione di compattazione grazie alla manopola di regolazione della pressione situata sul lato destro della macchina e il tempo di compattazione grazie al pulsante anteriore.
- G. Chiudere il coperchio per far salire la testa e compattare l'impasto.
- H. Se l'indicatore si riaccende, aprire il coperchio.
- I. Chiudere il telaio per far salire la testa e dividere l'impasto.
- J. Se l'indicatore si riaccende, aprire il telaio.
- K. Recuperare gli impasti.

Procedura di sostituzione della griglia sistema Click&Cut (fig. 11)

- A. Chiudere il telaio.
- B. Aprire il vano griglia grazie al fermo che si trova sul lato sinistro del telaio.
- C. Aprire l'aletta del vano griglia.
- D. Estrarre la griglia vecchia.
- E. Inserire la griglia nuova.
- F. Richiudere l'aletta del vano griglia.

OPZIONE EASYFLOUR: Procedura di riempimento dell'infarinatore Easyflour (fig. 7)

- A. Aprire il coperchio dell'infarinatore.
- B. Versare la farina nella zona di riempimento dell'infarinatore.
- C. Chiudere il coperchio dell'infarinatore.
- D. Regolare la portata dell'infarinatore grazie ad un cursore.

8 MANUTENZIONE

8.1 Quotidiana da parte di un utilizzatore addestrato.

Posizionare il vassoio in basso e pulire la vasca.

Tirare la leva per far salire il vassoio e aspirare i residui di impasto e di farina.

OPZIONE FULLMATIC:

Posizionare il vassoio in basso e pulire la vasca.

Premere il pulsante verde per far salire la testa e aspirare i residui di impasto e di farina.

8.2 Settimanale da parte di un utilizzatore addestrato.

Lavare tutto l'involucro del macchinario con un panno umido.

Azionare l'arresto d'emergenza e rimuovere gli sportelli laterali servendosi di un cacciavite.

Aspirare tutte le parti interne della macchina e le parti meccaniche.

Rimontare gli sportelli laterali.

8.3 Semestrale da parte di un tecnico addestrato.

Posizionare il vassoio in basso.

Azionare l'arresto d'emergenza e rimuovere lo sportello laterale destro servendosi di un cacciavite.

Controllare il livello dell'olio. (Il livello deve essere compreso tra 4 e 5 cm dal bordo superiore della flangia in alluminio).

NOTA: Qui di seguito riportiamo un elenco non esaustivo degli oli idraulici compatibili:

| | |
|--------|--------------|
| CONDAT | HYDROLUB S46 |
| ELF | HYDRELF DS46 |

| | |
|---------|--------------|
| CASTROL | AYSPIN AWS46 |
| TOTALE | AZOLLA ZS32 |

Verificare attentamente che il tecnico autorizzato registri l'intervento sul libretto di manutenzione al fine di mantenere la garanzia di 5 anni.

9 COMPONENTI DI CONSUMO

Al momento dell'ordine di parti di ricambio, verificare con il tecnico autorizzato di quale parte si tratta in base al catalogo delle parti di ricambio emesso dal fabbricante.

Precisare sempre il codice della macchina indicato sulla targa segnaletica.

Il tecnico effettua gli ordini presso JAC.

9.1 Elenco dei COMPONENTI DI CONSUMO

| RIFERIMENTO | NUOVA DESCRIZIONE | MODELLO |
|---------------|------------------------|-----------|
| F1500004 | MOLLA DEL COPERCHIO | DIVIFORM+ |
| 10040012 | PIASTRA DI USURA | TUTTE |
| HUILEHYDROS46 | OLIO IDRAULICO | TUTTE |
| F140000311 | ECCENTRICO DOPPIO | TUTTE |
| F1513364 | MOLLA CLICK&CUT DESTRA | TUTTE |
| F1513326 | ASSE DI CHIUSURA | TUTTE |

10 INCIDENTI DI FUNZIONAMENTO

ATTENZIONE: Per ogni intervento, la macchina deve obbligatoriamente essere scollegata dall'alimentazione.

| Problema | Verifica |
|--|---|
| La macchina non si mette in moto | Verificare l'alimentazione generale e del motore. Verificare che il relè termico sia attivato. |
| La centrale idraulica si mette in marcia ma la testa non sale | Invertire 2 fasi sulla presa della macchina. |
| La macchina non ha potenza | Verificare il livello dell'olio. Il livello deve essere compreso tra 4 e 5 cm dal bordo superiore della flangia in alluminio. |
| La testa sale ma i coltelli non escono | Contattare il proprio tecnico. |
| Presenza di olio sul pavimento | Contattare il proprio tecnico. |
| OPZIONE FULLMATIC: L'indicatore verde lampeggia rapidamente | Azionare l'arresto d'emergenza |



Se il problema persiste, contattare il proprio tecnico.

11 ELENCO DEI COMPONENTI INDICATI NELLE FIGURE

| Figura | Numero | Nome |
|--------|--------|---|
| 1 | 1 | Sistema di blocco della griglia Easylock |
| | 2 | Vasca |
| | 3 | Fondo della vasca |
| | 4 | Maniglia di protezione |
| | 5 | Ruota frenata |
| | 6 | Coperchio di compattazione (DIVIFORM+) |
| | 7 | Telaio |
| | 8 | Maniglia dello sportello |
| | 9 | Regolazione della pressione (DIVIFORM+) |
| 2 | 10 | Arresto d'emergenza |
| | 11 | Leva di salita o discesa del fondo della vasca |
| 3 | 12 | Zona di lavoro |
| 6 | 13 | Leva di regolazione della pressione (DIVIFORM+) |
| 12 | 14 | Segnale che indica un rischio di folgorazione |
| | 15 | Schema elettrico |

| | | |
|----|-------|--|
| 80 | | 1 قبل التشغيل |
| 80 | | 2 الضمان |
| 81 | | 3 تنبيهات |
| 82 | | 4 المواصفات الفنية |
| 82 | | 4.1 المواصفات الفنية |
| 82 | | 4.2 تفاصيل الخامات الملامسة بشكل مباشر للعجين. |
| 82 | | 5 التركيب والتشغيل |
| 82 | | 5.1 فك تغليف الآلة: |
| 83 | | 5.2 الموضع: |
| 83 | | 5.3 التوصيل الكهربائي: |
| 83 | | 5.4 التشغيل: |
| 83 | | 5.5 خطر: |
| 84 | | 6 جهاز التحكم والأمان |
| 84 | | 6.1 جهاز التحكم: |
| 84 | | 6.2 منطقة الضبط: |
| 84 | | 6.3 منطقة عمل: |
| 84 | | 7 الاستخدام |
| 85 | | 8 الصيانة |
| 85 | | 8.1 يومية بواسطة مستخدم مُدرب. |
| 86 | | 8.2 أسبوعية بواسطة مستخدم مُدرب. |
| 86 | | 8.3 نصف سنوية بمعرفة وكيل معتمد. |
| 87 | | 9 قطع المستهلكات |
| 87 | | 9.1 قائمة بالمستهلكات |
| 87 | | 10 الأحداث العارضة أثناء التشغيل |
| 88 | | 11 قائمة بالمكونات الموجودة في الأشكال |

1 قبل التشغيل

نشكركم لاختياركم حلول JAC. تأكد من قراءة دليل الاستخدام هذا قبل تركيب وتشغيل هذه الآلة. يمكنك أن تحمي نفسك وتتجنب هكذا أن تتلف الآلة.

يشير هذا الدليل إلى أشكال مختلفة من أجل تسهيل فهم التعليمات. هذه الأشكال موجودة في نهاية الدليل. يُرجى الرجوع إليها ما إن ترى الرموز التالية (شكل كذا، رقم كذا).

من أجل أن تكون راضيًا تمامًا عن أداء هذه الآلة خلال السنوات القادمة، ندعوك إلى الاطلاع على النصائح التالية:

- استعن بوكيل معتمد من أجل التركيب والتشغيل والمتابعة.

- من أجل الاستفادة من الضمان ومدته 5 سنوات (انظر الشروط المذكورة بعد)، قم بواسطة الموزع، باستكمال دفتر الصيانة أثناء تركيب الآلة. يوجد دفتر الصيانة خلف الآلة.

2 الضمان

تقدم شركة JAC ضمانًا على كل منتجاتها مدته 5 سنوات.

يسري هذا الضمان على كل قطع الآلة، بما فيها القطع الإلكترونية، دون المستهلكات. يسري الضمان من تاريخ تركيب المعدة.



بحسب الشروط المقيدة التالية:

- تم شراء المعدة من موزع معتمد؛
- تم التركيب بمعرفة وكيل معتمد؛
- استخدام المعدة وفقًا لتعليمات دليل الاستخدام وفي الغرض التي صُنعت من أجل؛
- يتم صيانة المعدة يوميًا وفقًا لإرشادات دليل الاستخدام؛
- يتابع الصيانة الوكيل المعتمد وفقًا لشروط الصيانة، مع إجراء الصيانة مرة في العام، على الأقل (الصيانة على حساب المستخدم).
- الاستخدام الحصري لقطع الغيار الأصلية من JAC.

إذا لم يكن يوجد صيانة من وكيل معتمد و/أو أن دفتر الصيانة غير مكتمل بشكل صحيح، تقتصر فترة الضمان على عام واحد.

علمًا بأن الضمان لا يشمل:

- استبدال المستهلكات (فقرة 9)؛
- قطع الغيار التي لم يقر قسم الخدمة الفنية بأنها تالفة؛
- المشاكل الناجمة عن الاستخدام غير السليم للمعدة؛
- المشاكل الناجمة عن تركيب لم يتم بمعرفة وكيل معتمد؛
- قطع الغيار أو المشاكل الناجمة عن تلف أثناء النقل أو المناولة غير المناسبة.

ليس من شأن الإصلاح و/أو الاستبدال لقطع الغيار التالفة الذي يتم خلال مدة الضمان أن يمدد هذا الضمان.



من المهم جدًا حفظ دليل الاستخدام هذا مع الجهاز للاطلاع عليه في المستقبل. إذا كان سيتم بيع أو نقل هذا الجهاز إلى شخص آخر، تأكد أن يتم إعطاء دليل الاستخدام هذا بحيث يستطيع المستخدم معرفة تشغيله والتنبيهات المتعلقة به.



تم إعطاء هذه التنبيهات حرصًا على سلامتك وعلى سلامة الآخرين. برجاء قراءتها بانتباه قبل تركيب واستخدام الجهاز.
تم تصميم هذه الآلة لكي يستخدمها أشخاص بالغين مسموح لهم باستخدامها. يرجى ألا يلمسها الأطفال أو أن يستخدموها كلعبة.
هذه الآلة مخصصة حصريًا للاستخدام المهني.
من الخطر تعديل أو محاولة تعديل مواصفات هذه الآلة.
بعد تركيب الآلة، تأكد أنها لا تستند على كابل كهرباء.
اتبع التعليمات المعطاة من أجل الاستخدام.
يجب تخزين واستخدام هذه الآلة داخل مكان، بعيدًا عن الرطوبة والحرارة.
يجب أن يكون هناك إضاءة كافية لهذه الآلة للقيام بالعمل.
مستوى صوت هذه الآلة أقل من 70 ديسيبل وفقًا للمعيار EN ISO 3744.
يجب أن يستخدم هذه الآلة شخص واحد في الوقت الواحد (ما لم يوجد تعليمات مخالفة).



افصل دائمًا التيار الكهربائي قبل القيام بالتنظيف الداخلي/الخارجي للجهاز وقبل عمليات الصيانة.
هذا الجهاز ثقيل الوزن. اتخذ كل احتياطات الأمان أثناء مناولته.

4.1 المواصفات الفنية

| +DIVIFORM | DIVIFORM | |
|-----------------------------------|----------|--|
| 1761 | 1680 | ارتفاع الغطاء وهو مفتوح أو الشبكة مفتوحة (مم) |
| 600 | | العرض (مم) |
| 810 | | العمق (مم) |
| x880x1310790 | | الحزم (مم) |
| 285 | 260 | الوزن الصافي (كجم) |
| 305 | 280 | الوزن الصافي + عبوة التغليف (كجم) |
| 1.5 | | قوة المونور (كيلو واط) |
| ثلاثي الأطوار (3 فازة) | | نوع المحرك |
| 8 | | 220 فولت - 50 هرتز (A) |
| 4.5 | | 380 فولت - 50 هرتز (A) |
| من 400 إلى 3000 وفقاً لنوع الشبكة | | معدل التقسيم والتشكيل (قطعة / ساعة) |
| 19 إلى 1000 وفقاً لنوع الشبكة | | وزن قطع العجين عند التقسيم والتشكيل حد أدنى/أقصى (كجم) |
| 5 | | سعة الحوض الداخلي (كجم) |

من أجل تشغيل مثالي، يجب أن تكون نسبة الرطوبة:
 +Diviform 55% على الأقل بالنسبة لـ
 Diviform 70% على الأقل بالنسبة لـ

4.2 تفاصيل الخامات الملامسة بشكل مباشر للعجين.

الحوض المربع: فولاذ مقاوم للصدأ 304
 الغطاء: ألومنيوم AISi10Mg

5 التركيب والتشغيل

5.1 فك تغليف الآلة:

تُباع الآلات، عند خروجها من ورشنا، على ألواح، ومربوطة بأشرطة ومحمية بورق الكرتون. قبل القيام بأي شيء، يجب فحص العبوة وإبلاغ شركة التوصيل مباشرة بأي تلف ناتج عن النقل.

A. إسحب الكرتون.

B. إسحب الأحواض الجانبية للآلة من أجل الوصول إلى البراغي التي تُثبت الآلة على اللوح.

C. إفصل الآلة من على اللوح بأن تقوم بفك البراغي الـ 4 التي تُثبت الآلة (fig.4).

D. إنزل الآلة من على اللوح. إحرص على أن يقوم شخصان على الأقل بهذا الأمر من أجل تخفيف التلامس مع الأرض بشكل أفضل.

E. تركيب الإطار على حامله مع الحرص أن يكون النابض في الجانب الصحيح (fig.5).

F. و. خيار EASYFLOUR: تركيب منفضة الدقيق (fig.6) وملء (fig.7) الدقيق.

بعد إخراج الآلة من الكرتون، تحقق أنها لم تتعرض للتلف أثناء النقل. وقم بإبلاغنا بأي عطب.

5.2 الموضع:

للحصول على أداء ممتاز وفعالية على المدى الطويل، اختر موضع:

جيد التهوية، بعيداً عن أشعة الشمس المباشرة وبعيداً عن مصادر الحرارة مع سطح مستو وقوي وخالي من الإهتزازات.

5.3 التوصيل الكهربى:

هام: توصيل الطرف الأرضي إلزامي.

يُنصح بحماية التمديدات الكهربائية بمنصهر وقاطع تيار تفاضلي.

يجب حماية التمديدات الكهربائية التي تُغذي الآلة كما هو مُبين أدناه:

- أمريكا الشمالية: حماية 15 أمبير؛

بقية دول العالم: حماية 16 أمبير.

بالنسبة للآلات المجهزة بمُغَيِّر كهربائي، فيجب توصيله على غُلبة التفريغ على خط مجهز بقاطع تيار تفاضلي 300 ملي أمبير.

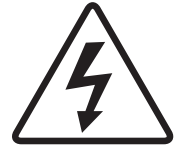
ملحوظة: أي مشكلة ناجمة عن التوصيل بشكل آخر لن يشملها الضمان.

قبل توصيل الآلة على شبكة الكهرباء ومن أجل تجنب وقف تشغيل الموتور عند توصيله بالكهرباء، من المهم التحقق من توافق شبكة الكهرباء مع مواصفات الآلة (انظر لوحة البيانات لهذه الآلة).

يتوافق هذا الجهاز مع التعليمات الخاصة بالآلات 42/2006 و 95/2006 و 108/2004 ويحمل علامة CE التي تشهد بذلك.

يرجى الاطلاع على الصور التوضيحية المتعلقة بالأمان الموجودة على الآلة:

صورة توضيحية تُشير إلى خطر الصعق بالكهرباء. يُرجى فصل الماكينة قبل أي إصلاح لها. يمكنك أن تجده داخل الآلة على الصندوق الكهربى. (fig.12, n°14)



سوف تجد الرسم التخطيطي الكهربى للآلة داخل الباب الأيسر لقطاعة العجين. (fig.12, n°15)

5.4 التشغيل:

قبل التشغيل، تأكد من عدم وجود أي شيء دخيل على الأجزاء المتحركة للآلة.

تأكد أولاً بعد التحقق من التوافق الكهربى) أن الموتور يدور في الاتجاه السليم، وعلامة ذلك أن الرأس يصعد عندما تسحب ذراع التحكم ناحيتك. إذا لم يحدث هذا، افصل المقابس وقم بقلب 2 فإزة فيه.

خيار FULLMATIC عند التوصيل بالكهرباء، يومض الزر الأخضر، اضغط عليه لبدء التهيئة. إذا لم يصعد الرأس خلال هذه المرحلة، ولمبة البيان تومض بسرعة فقم بفصل المقبس وأقلب 2 فإزة في المقبس.

لاستخدام الآلة، راجع فصل "الاستخدام".

5.5 خطر:

في حالة وجود خطر على المستخدم أو على الآلة، يجب عليك أن تستخدم مفتاح القطع العمومي لفصل التيار الكهربى عن الآلة.

اسحب القابس من المقبس الكهربى قبل القيام بأية عملية صيانة أو فحص.

6 جهاز التحكم والأمان

6.1 جهاز التحكم:

(fig.2)
الآلة مجهزة على التوالي بلوحة تحكم ميكانيكية.

6.2 منطقة الضبط:

توجد منطقة ضبط الضغط على الجانب الأيمن للآلة (fig.6, n°13) (DIVIFORM+) خيار FULLMATIC: توجد منطقة ضبط الضغط وزر اختيار نصف الحوض/ حوض ممتلئ استعادة الدقيق أمام الآلة (fig.2)

6.3 منطقة عمل:

توجد منطقة العمل أمام الآلة (fig.3, n°12)

7 الاستخدام

خطوات استخدام DIVIFORM في التقطيع والتشكيل (fig.7, 8)

- قم بلف زر الإيقاف الفوري (إيقاف الطوارئ) (fig.2, n°10) ربع لفة نحو اليمين، إذا لم يكن قد تم تشغيله.
- ضع صينية الفنجان السمكية في قاع الحوض
- إذا اقتضى الأمر، قم بوضع قليلاً من الدقيق على أعلى صينية الفنجان السمكية
خيار EASYFLOUR: انثر القليل من الدقيق أعلى اللوحة في الحوض باستخدام Easyflour.
- ضع العجين في الحوض ووزعه باليد
- خيار EASYFLOUR: انثر القليل من الدقيق أعلى العجين باستخدام Easyflour.
- أغلق الإطار
- شد الذراع لتقطيع العجين
- ادفع الذراع لوقت قصير من أجل تخفيف الضغط ليتم فتح الإطار
- افتح الإطار
- شد الذراع وارفع الرأس وأخرج قطع العجين

يتيح زر الإيقاف في حالة الطوارئ إيقاف الدورة الجارية

خيار FULLMATIC خطوات استخدام DIVIFORM في التقطيع والتشكيل (fig.9, 11)

- قم بلف زر الإيقاف الفوري (إيقاف الطوارئ) (fig.2, n°10) ربع لفة نحو اليمين، إذا لم يكن قد تم تشغيله.
- ضع صينية الفنجان السمكية في قاع الحوض.
- إذا اقتضى الأمر، قم بوضع قليلاً من الدقيق على أعلى صينية الفنجان السمكية
خيار EASYFLOUR: انثر القليل من الدقيق أعلى اللوحة في الحوض باستخدام Easyflour.
- ضع العجين في الحوض ووزعه باليد
- خيار EASYFLOUR: انثر القليل من الدقيق أعلى العجين باستخدام Easyflour.
- اغلق الإطار لرفع الرأس وتقسيم العجين.
- عندما تضيء لمبة البيان مرة أخرى، افتح الإطار.
- استعد قطع العجين.

خطوات استخدام +DIVIFORM في التقطيع والتشكيل (fig.12, 13, 14)

- قم بلف زر الإيقاف الفوري (إيقاف الطوارئ) (fig.2, n°10) ربع لفة نحو اليمين، إذا لم يكن قد تم تشغيله.
- افتح الغطاء
- ضع صينية الفنجان السمكية في قاع الحوض
- إذا اقتضى الأمر، قم بوضع قليلاً من الدقيق على أعلى صينية الفنجان السمكية

- خيار EASYFLOUR: انثر القليل من الدقيق أعلى اللوحة في الحوض باستخدام Easyflour.
- E. ضع العجين في الحوض ووزعه باليد بغير اتقان
- خيار EASYFLOUR: انثر القليل من الدقيق أعلى اللوحة في الحوض باستخدام Easyflour.
- F. إغلق غطاء الحوض
- G. يمكنك ضبط ضغط الدم من على الجانب الأيمن للآلة.
- H. إسحب زراع التحكم لرفع الرأس ودك العجين.
- I. إدفغ الذراع لوقت قصير من أجل تخفيف الضغط ليتم فتح الغطاء
- J. إفتح الغطاء
- K. إغلق الإطار
- L. شد الذراع لتقطيع العجين
- M. إدفغ الذراع لوقت قصير من أجل تخفيف الضغط ليتم فتح الإطار
- N. إفتح الإطار
- O. شد الذراع وارفع الرأس وأخرج قطع العجين

يتيح زر الإيقاف في حالة الطوارئ إيقاف الدورة الجارية.

- خيار FULLMATIC خطوات استخدام DIVIFORM+ في التقطيع والتشكيل (fig.12, 15)
- A. قم بلف زر الإيقاف الفوري (إيقاف الطوارئ) (fig.2, n°10) ربع لفة نحو اليمين، إذا لم يكن قد تم تشغيله.
- B. افتح الغطاء.
- C. ضع صينية الفنجان السمكية في قاع الحوض.
- D. إذا اقتضى الأمر، قم بوضع قليلاً من الدقيق على أعلى صينية الفنجان السمكية
- خيار EASYFLOUR: انثر القليل من الدقيق أعلى اللوحة في الحوض باستخدام Easyflour.
- E. ضع العجين في الحوض ووزعه باليد بغير اتقان.
- خيار EASYFLOUR: انثر القليل من الدقيق أعلى العجين باستخدام Easyflour.
- F. يمكنك ضبط ضغط الدك باستخدام مقبض ضبط الضغط الموجود على الجانب الأيمن للآلة وكذلك وقت الدك باستخدام الزر في الواجهة.
- G. اغلق الغطاء لرفع الرأس ودك العجين.
- H. عندما تضيء لمبة البيان مرة أخرى، افتح الغطاء.
- I. اغلق الإطار لرفع الرأس وتقسيم العجين.
- J. عندما تضيء لمبة البيان مرة أخرى، افتح الإطار.
- K. استعد قطع العجين.

خيار EASYFLOUR: طريقة ملء منفضة الدقيق Easyflour شكل (fig.7)

- A. افتح غطاء منفضة الدقيق.
- B. صب الدقيق في منطقة ملء منفضة الدقيق.
- C. أغلق غطاء منفضة الدقيق.
- D. اضبط معدل تدفق منفضة الدقيق باستخدام المؤشر المنزلق.

خطوات تغيير الشبكة في نظام (Click&Cut fig.11)

- A. إغلق الإطار
- B. إتح مقطع الشبكة باستخدام القفل الموجود على الجانب الأيسر من الإطار
- C. إفتح مصراع مقطع الشبكة
- D. إسحب الشبكة القديمة
- E. ادخل الشبكة الجديدة
- F. إغلق مصراع مقطع الشبكة

8 الصيانة

8.1 يومية بواسطة مستخدم مُدرب.

ضع الصينية في وضع منخفض وقم بتنظيف الحوض.

شد الذراع لرفع الصينية واشطف بقايا العجين والدقيق.

FULLMATIC

ضع الصينية في وضع منخفض وقم بتنظيف الحوض.
اضغط على الزر الأخضر لرفع الرأس واشطف بقايا العجين والدقيق.

8.2 أسبوعية بواسطة مستخدم مُدرب.

اغسل كل الهيكل باستخدام قطعة قماش رطبة.
إضغظ على زر الإيقاف في حالة الطوارئ واسحب الأبواب الجانبية باستخدام مفك براغي
اشطف من على كل الأجزاء الداخلية للآلة وكذلك الأجزاء الميكانيكية
أعد وضع الأبواب الجانبية

8.3 نصف سنوية بمعرفة وكيل معتمد.

ضع الصينية في وضع منخفض
إضغظ على زر الإيقاف في حالة الطوارئ واسحب الباب الجانبي الأيمن باستخدام مفك براغي
افحص مستوى الزيت (يجب أن يكون المستوى بين 4 و 5 سم من الحافة العلوية للطق الألومنيوم)
ملحوظة: سوف تجد أدناه قائمة غير حصرية بالزيوت الهيدروليكية المتوافقة:

| | |
|--------------|---------|
| HYDROLUB S46 | CONDAT |
| HYDRELF DS46 | ELF |
| AYSPIN AWS46 | CASTROL |
| AZOLLA ZS32 | TOTAL |

تأكد من أن الوكيل المعتمد يقوم بتسجيل زيارته في دفتر الصيانة من أجل الحفاظ على ضمان الـ 5 سنوات.

أثناء طلب قطعة غيار، تأكد مع الوكيل المعتمد بشأن القطعة المطلوبة على أساس كتالوج قطع الغيار الذي أصدره الصانع. حدد دائماً رقم الآلة كما هو مبين على لوحة البيانات. ويقوم الوكيل بعمل الطلبات لدى شركة JAC.

9.1 قائمة بالمستهلكات

| ITEM CODE | NEW DESCRIPTION | MODEL |
|---------------|---------------------|-----------|
| F1500004 | LID SPRING | DIVIFORM+ |
| 10040012 | WEAR PLATE | ALL |
| HUILEHYDROS46 | HYDRAULIC OIL | ALL |
| F140000311 | DOUBLE EXCENTRIC | ALL |
| F1513364 | RH CLICK&CUT SPRING | ALL |
| F1513326 | LOCK PIN | ALL |

10 الأحداث العارضة أثناء التشغيل

انتبه: قبل القيام بأية إصلاحات، يجب فصل التيار عن الآلة.

| التحقق | المشكلة |
|--|---|
| تحقق من التغذية بالتيار الكهربائي بشكل عام وتغذية الموتور تحقق ما إذا كان المرحل الحراري قد انطلق | الآلة لا تعمل |
| قم بقلب 2 فازه في قابس الآلة | الطاقة الهيدروليكية تعمل لكن الرأس لا يصعد |
| تأكد من مستوى الزيت (يجب أن يكون المستوى بين 4 و 5 سم من الحافة العلوية). | الآلة تفتقر إلى القوة |
| اتصل بالفني | الرأس يصعد لكن السكاكين لا تخرج |
| اتصل بالفني | وجود زيت على الأرض |
| أضغط على زر الإيقاف في حالة الطوارئ | خيار FULLMATIC لمبة البيان الخضراء تومض بسرعة |

إذا استمرت المشكلة بعد ذلك، يرجى الاتصال بالفني.



| الاسم | الرقم | شكل |
|--|-------|-----|
| نظام قفل شبكة Easylock | 1 | 1 |
| حوض | 2 | |
| قاع الحوض | 3 | |
| مقبض حماية | 4 | |
| عجلة بفرملة | 5 | |
| غطاء الدك (+DIVIFORM) | 6 | |
| إطار | 7 | |
| مقبض باب | 8 | |
| ضبط الضغط (+DIVIFORM) | 9 | |
| إيقاف الطوارئ | 10 | |
| ذراع رفع أو إنزال قاع الحوض | 11 | 2 |
| منطقة عمل | 12 | 3 |
| ذراع ضبط الضغط (+DIVIFORM) | 13 | 6 |
| صورة توضيحية تشير إلى خطر الصعق بالكهرباء. | 14 | 12 |
| رسم تخطيطي كهربائي | 15 | |

fig.1

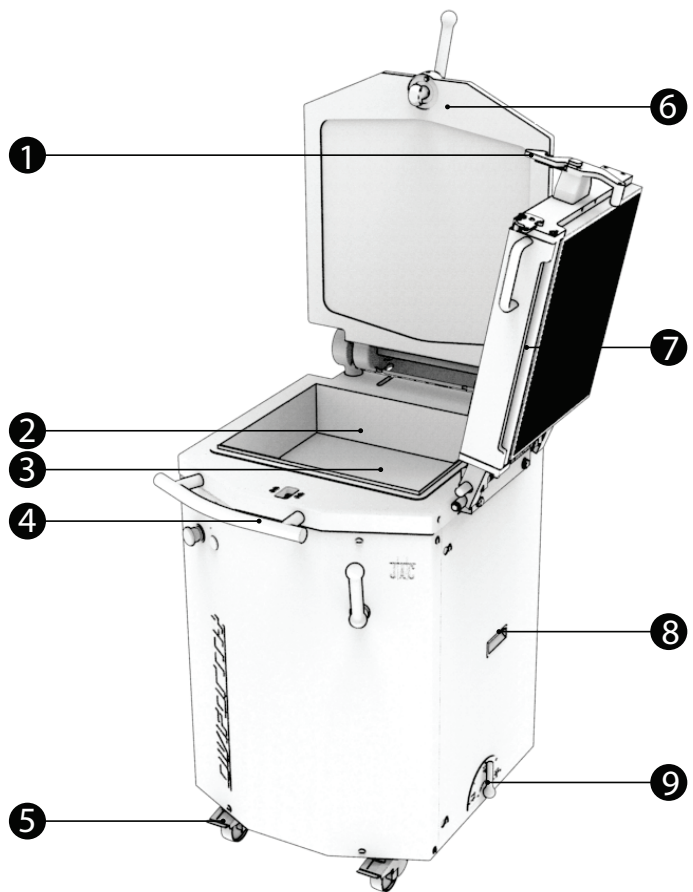


fig.2

FULLMATIC



fig.3

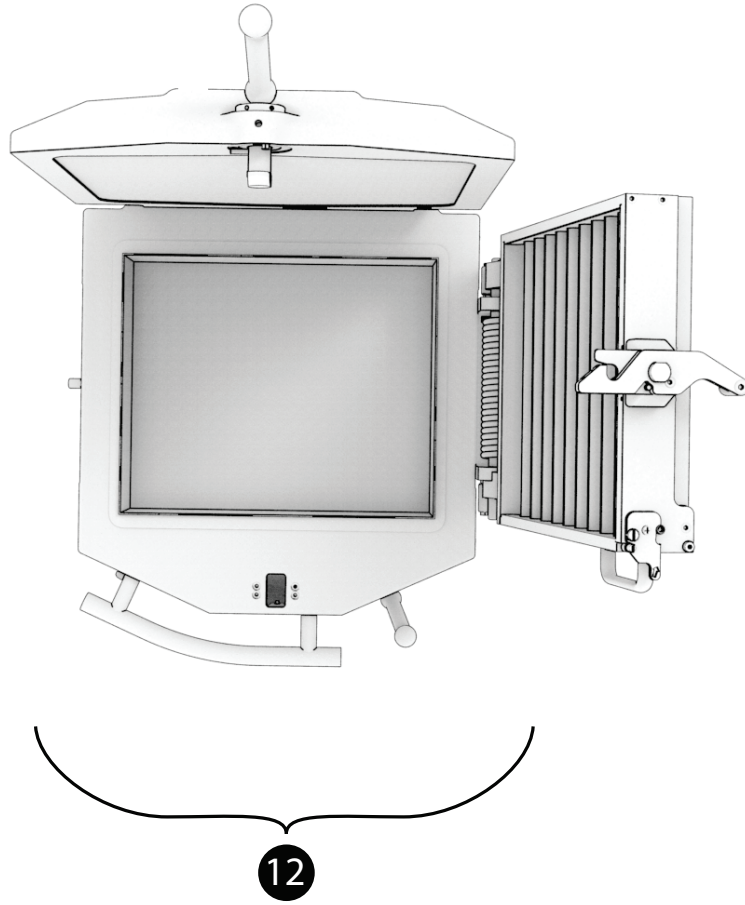


fig.4

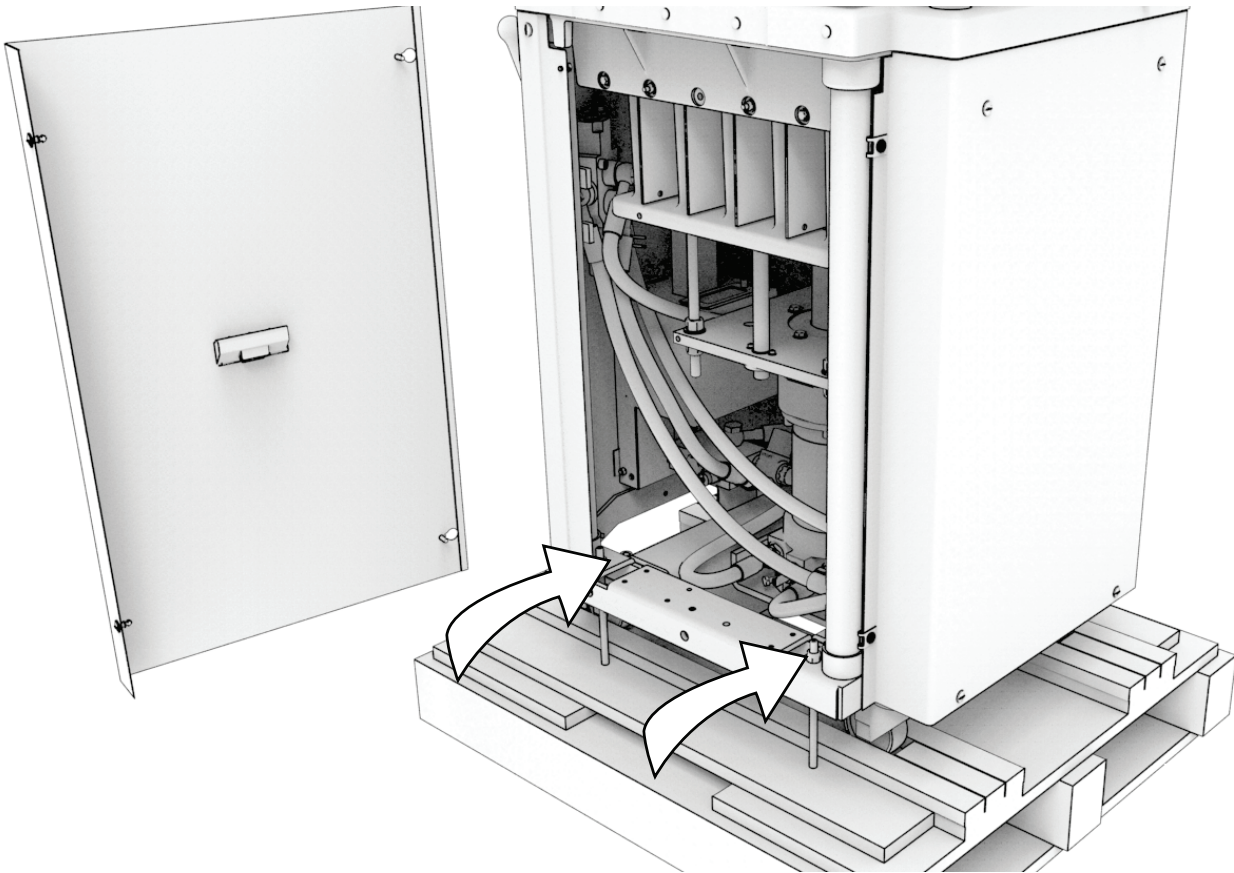


fig.5

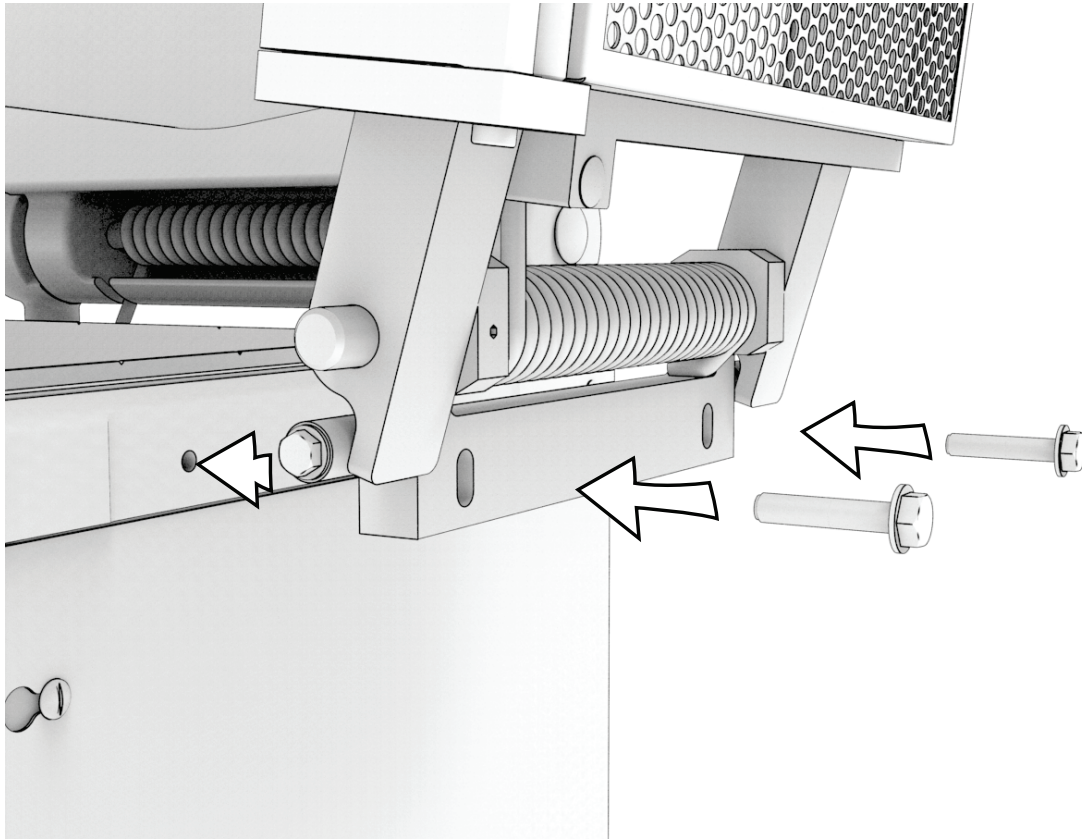


fig.6

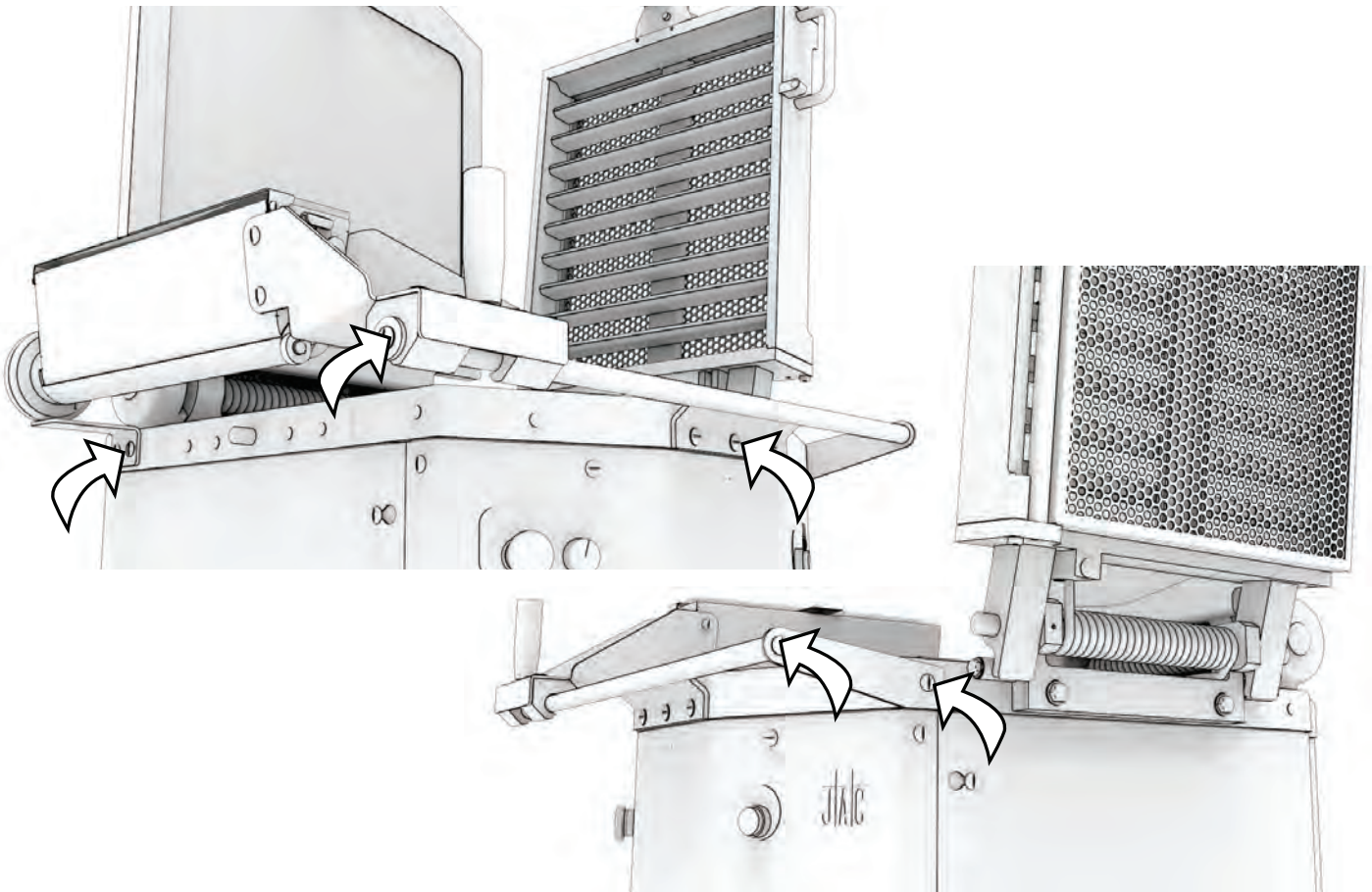


fig.7

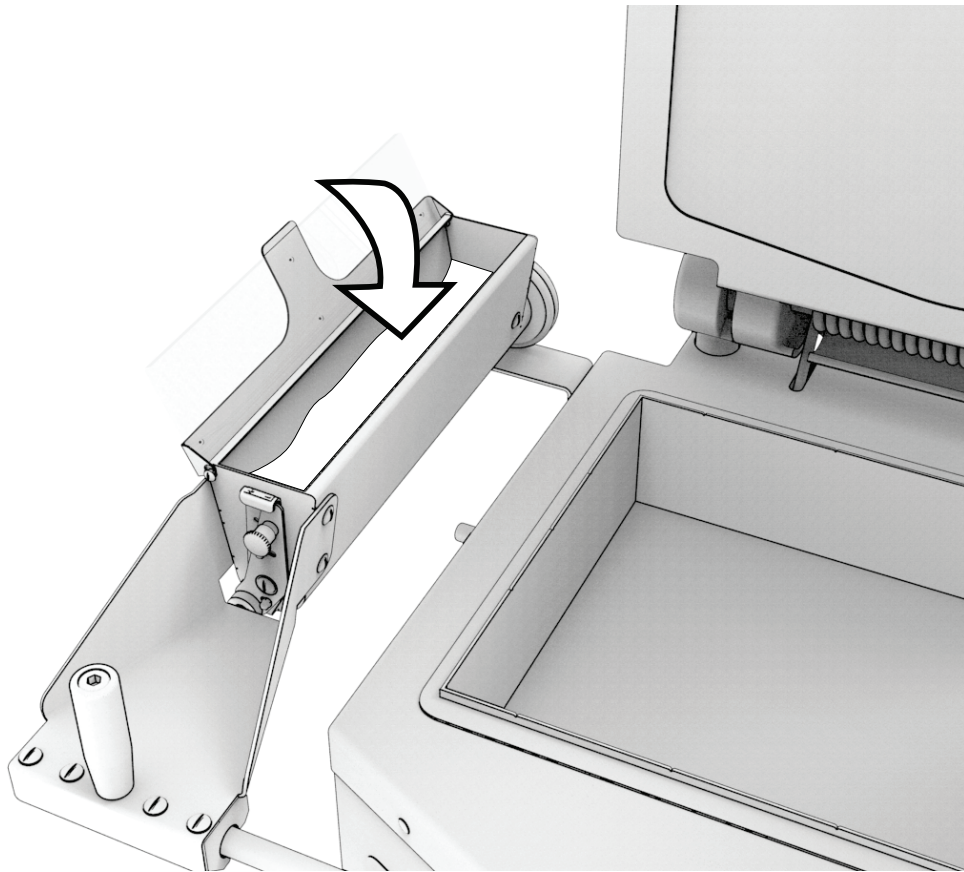


fig.8

DIVIFORM+



fig.9

DIVIFORM

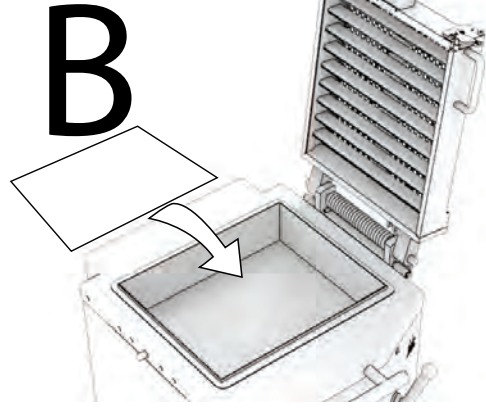
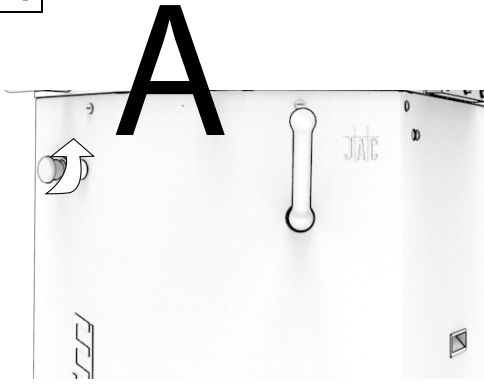


fig.10

DIVIFORM

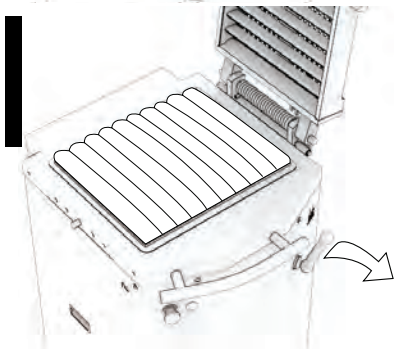
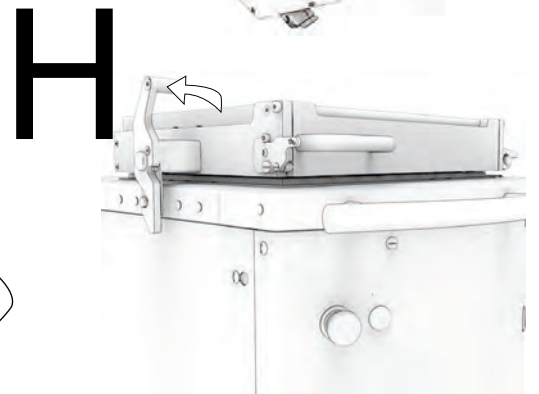
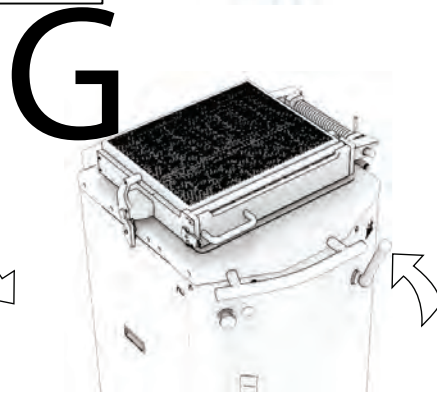
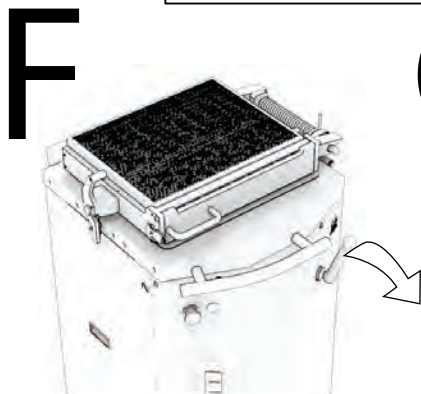
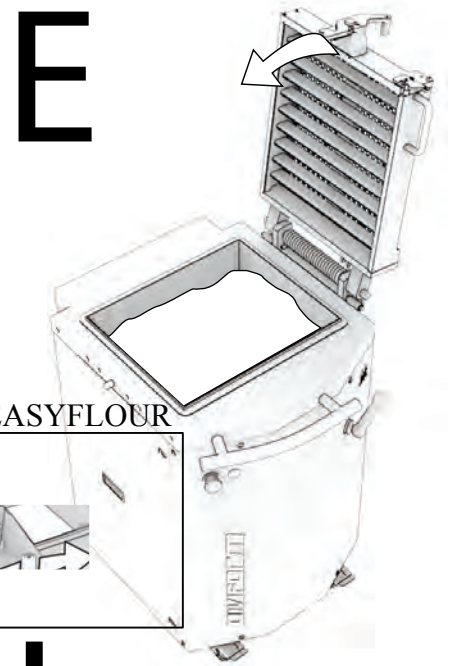
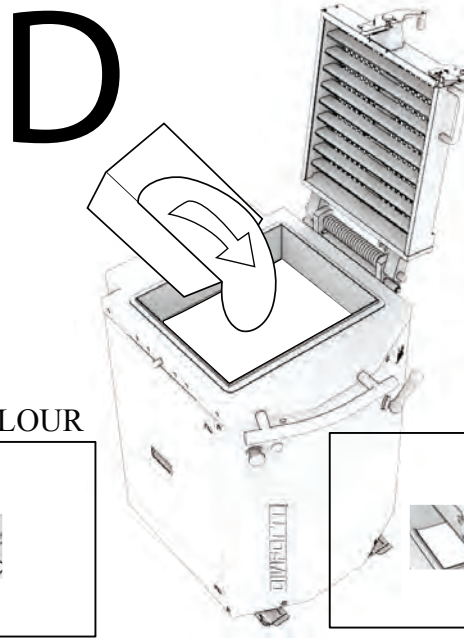
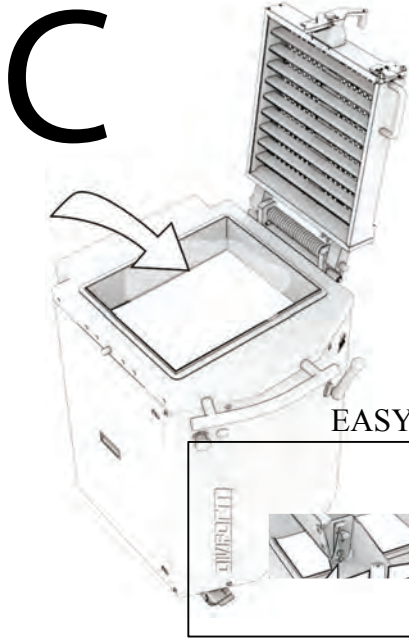


fig.11

DIVIFORM FULLMATIC

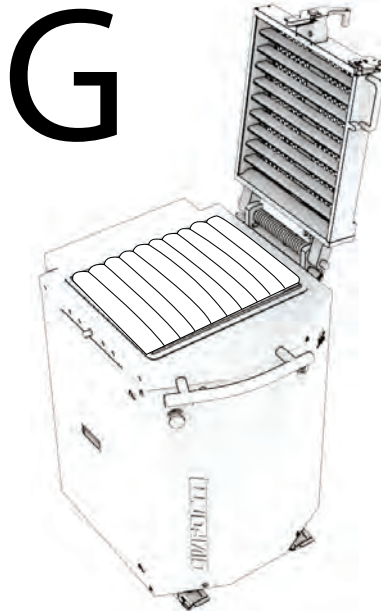
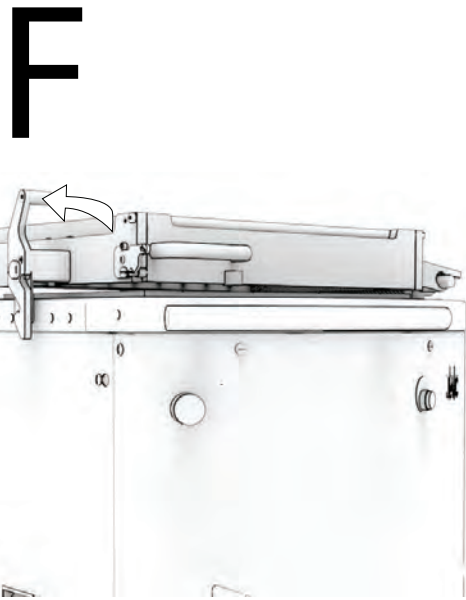
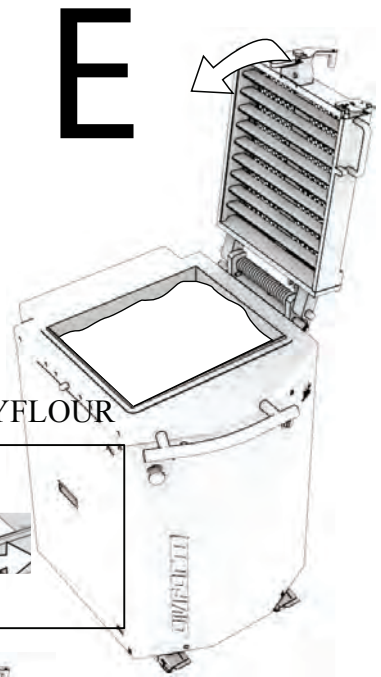
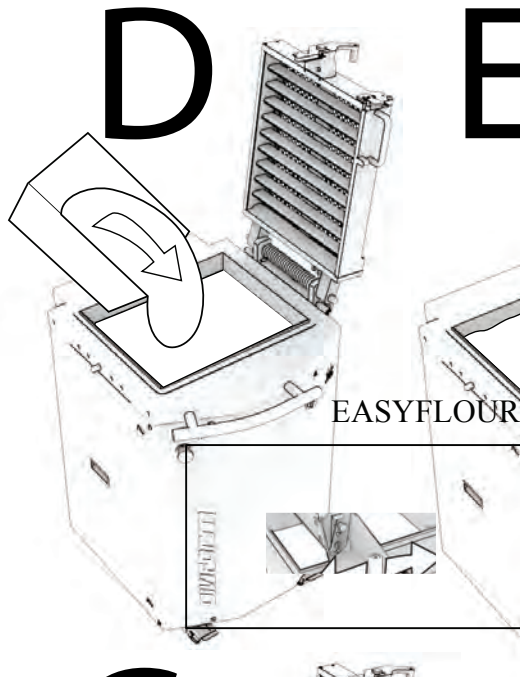
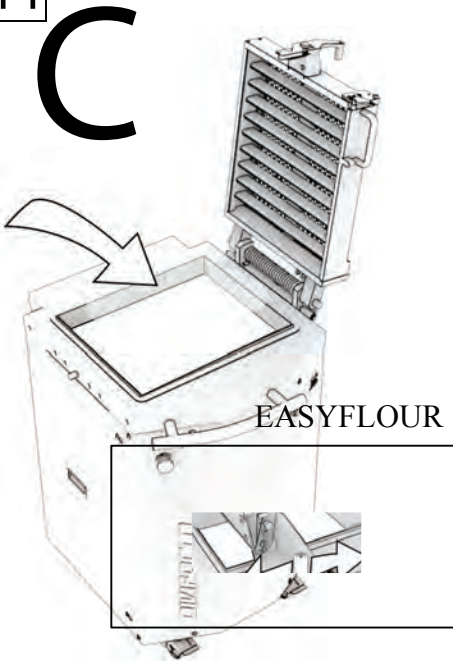


fig.12

DIVIFORM+

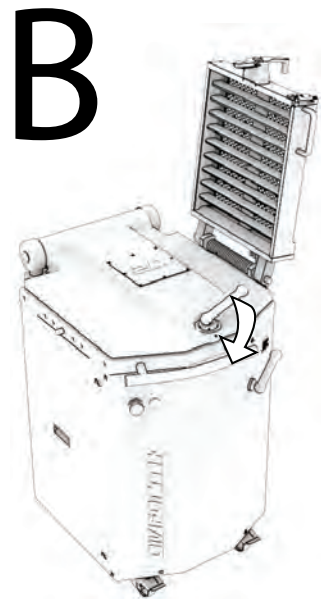
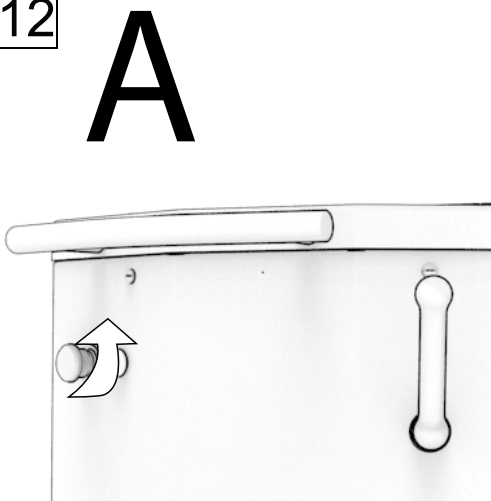
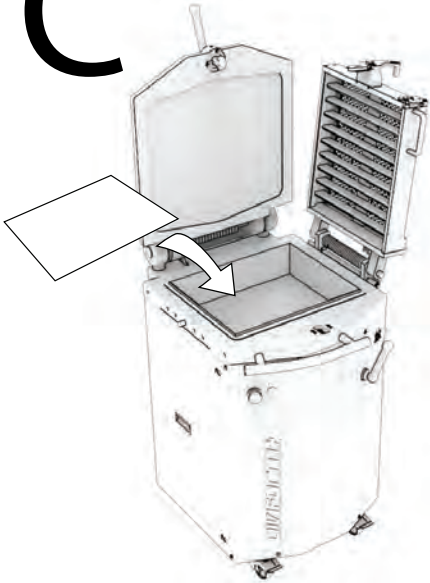


fig.13

DIVIFORM+

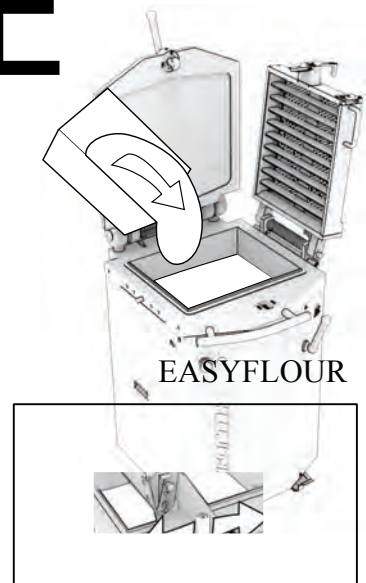
C



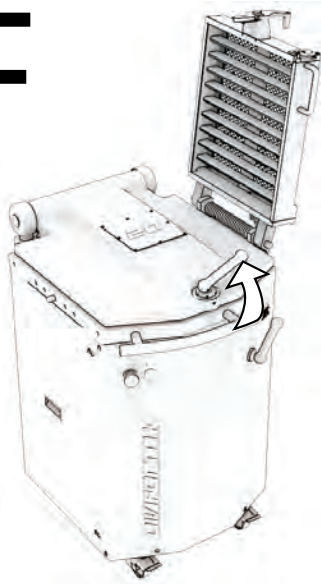
D



E



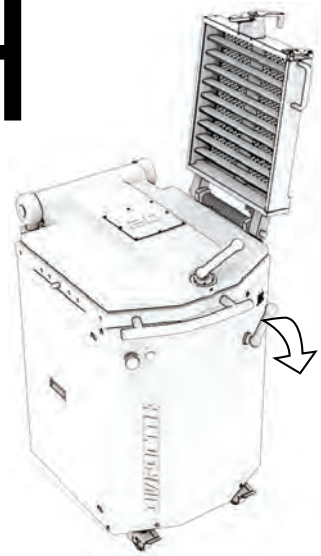
F



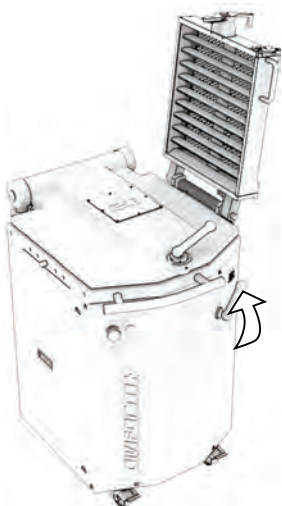
G



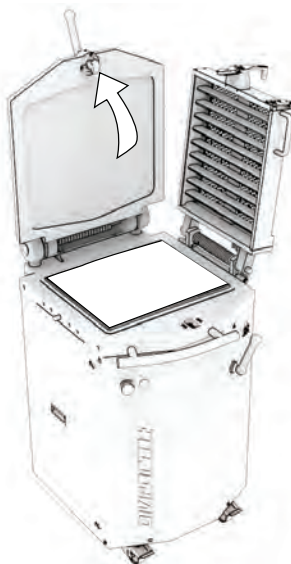
H



I



J



K

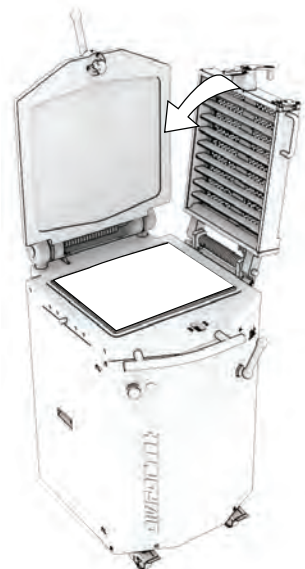


fig.14

DIVIFORM+

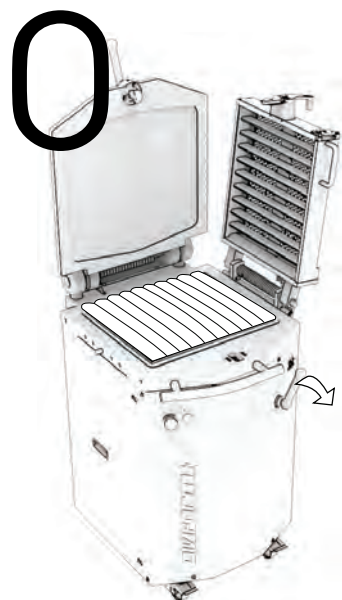
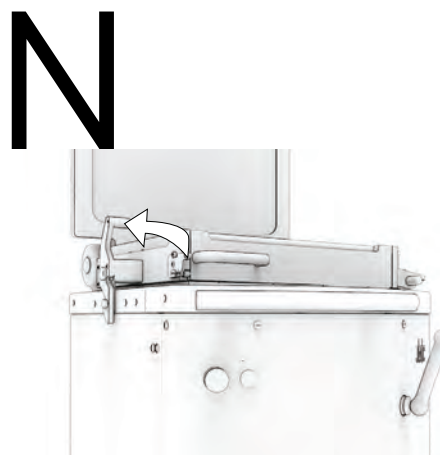
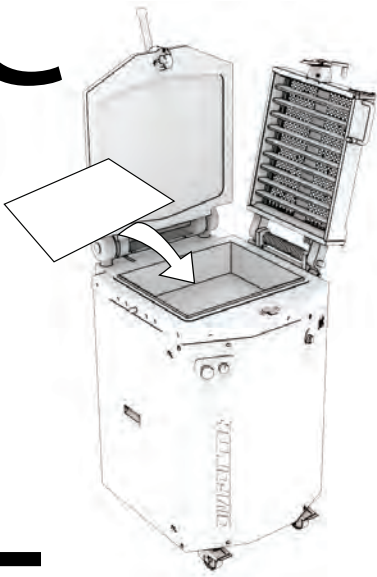


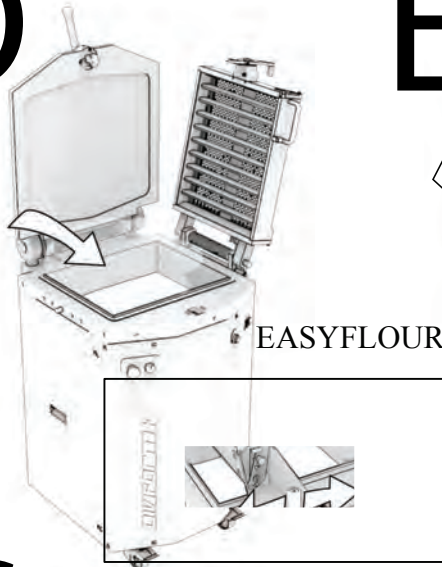
fig.15

DIVIFORM+ FULLMATIC

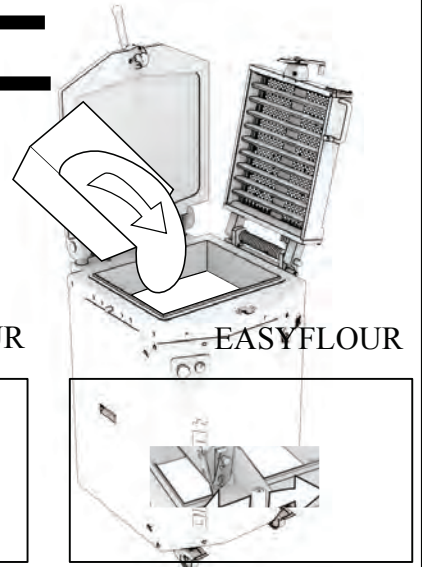
C



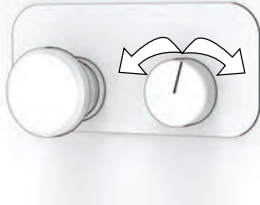
D



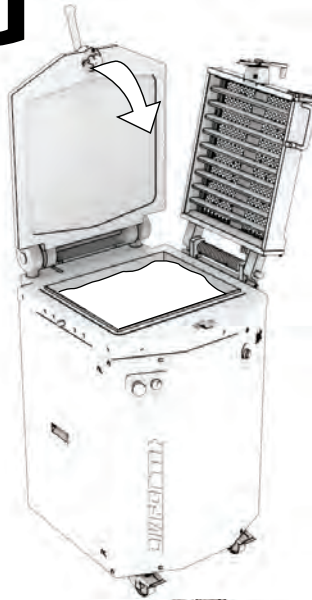
E



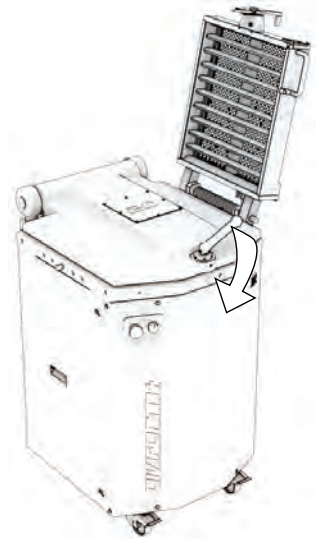
F



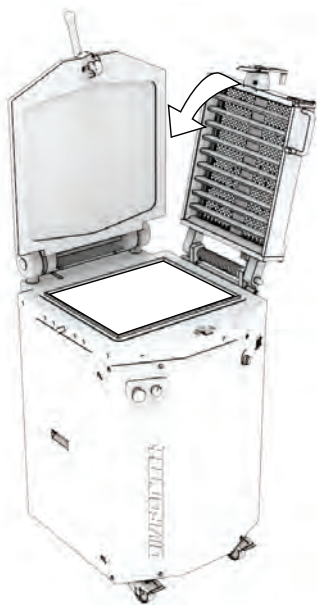
G



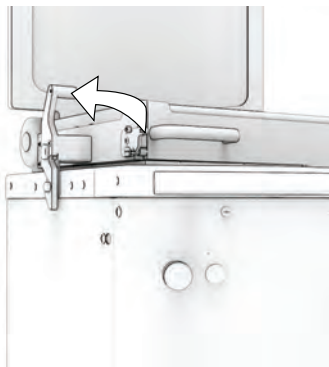
H



I



J



K

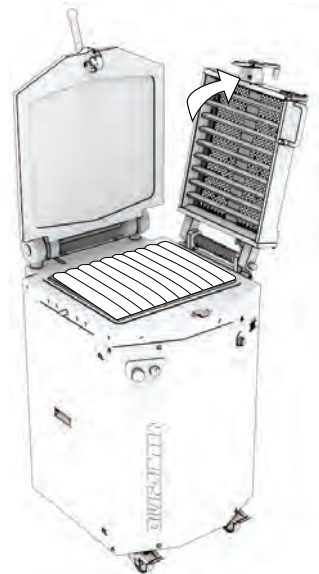
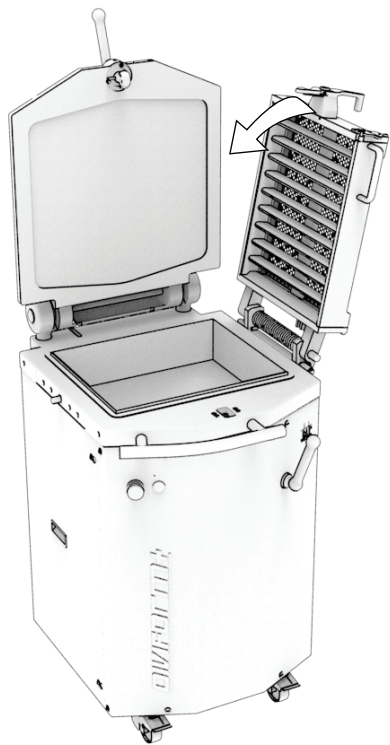


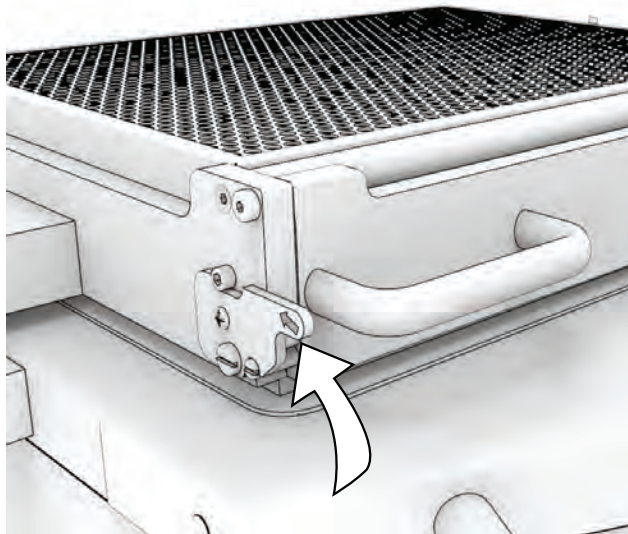
fig.16

CLICK & CUT

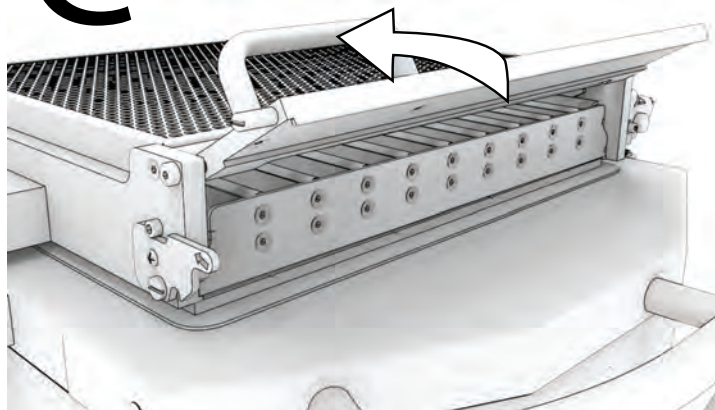
A



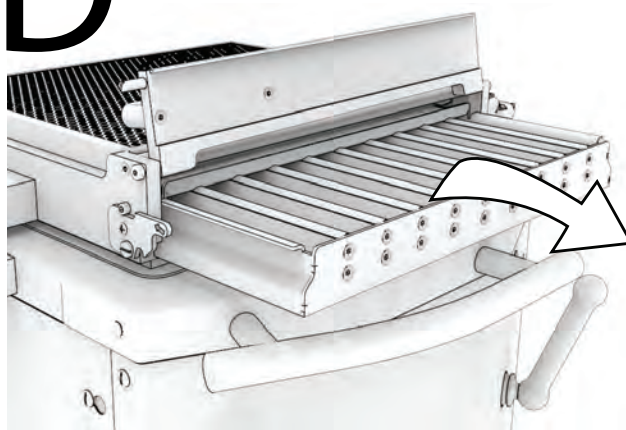
B



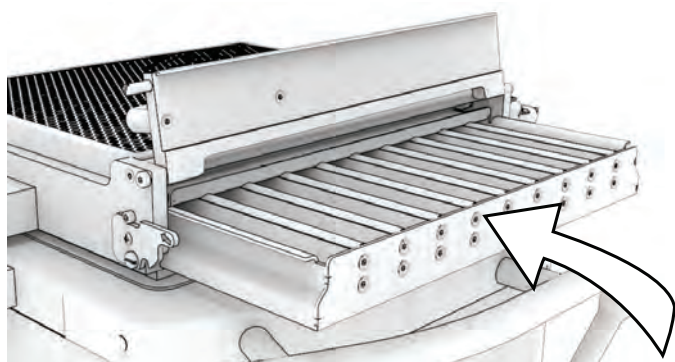
C



D



E



F

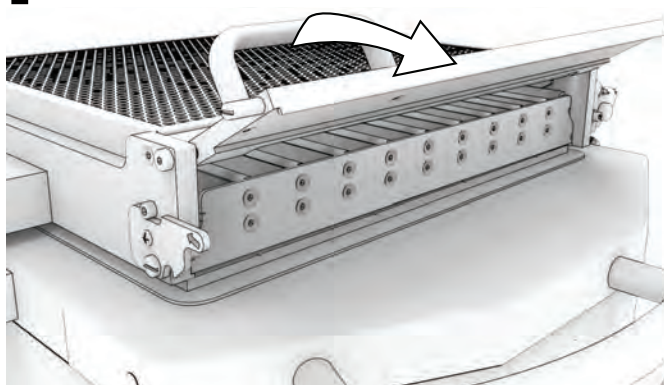
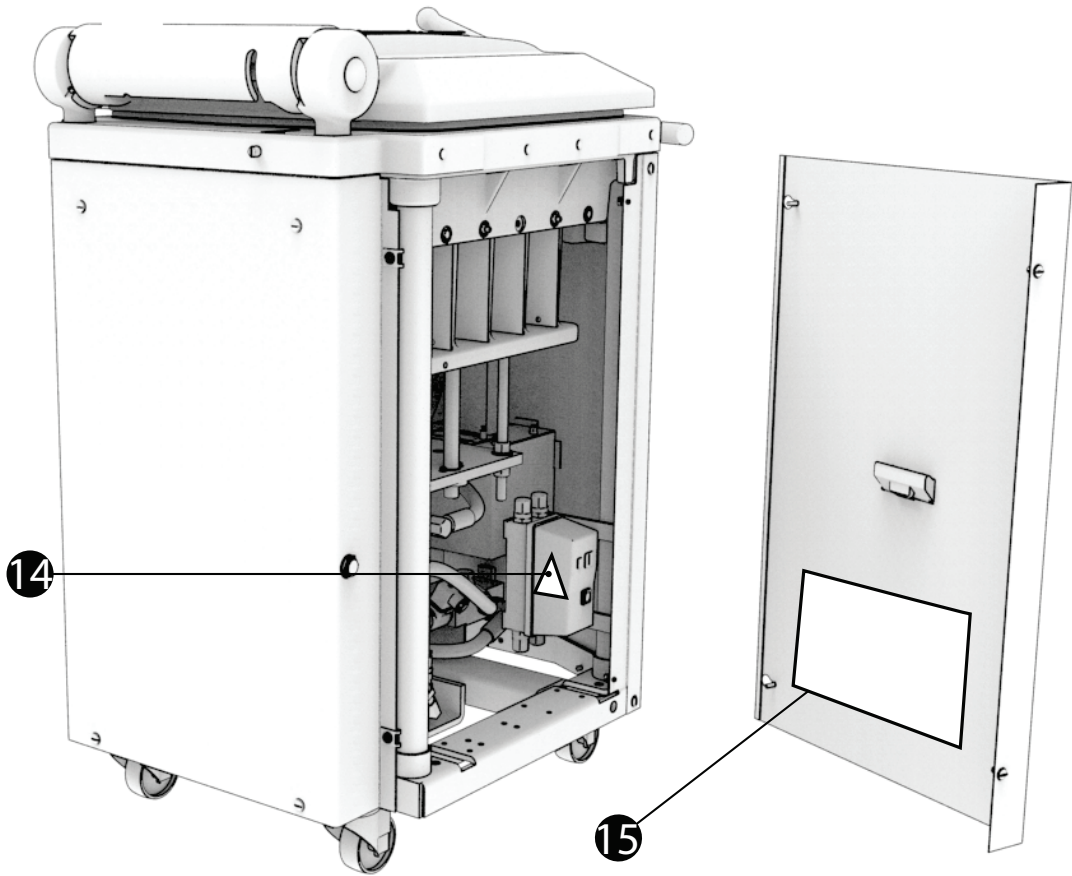


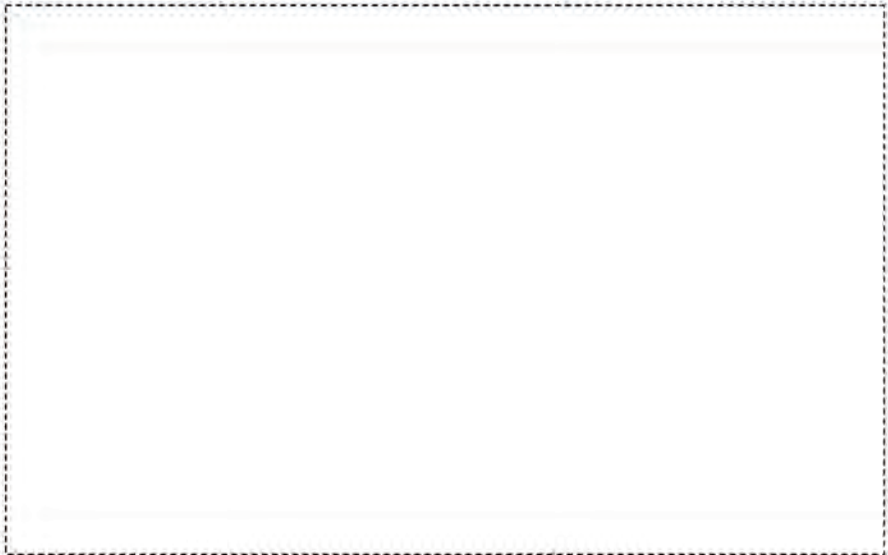
fig.17





Traditionally Innovative

CONFORMITY DECLARATION TO THE EUROPEAN DIRECTIVES,
DECLARATION DE CONFORMITE AUX DIRECTIVES EUROPEENNES.
KONFORMITÄTSEKTLÄRUNG AN DEN EUROPÄISCHEN RICHTLINIEN.
VERKLARING VAN OVEREENSTEMMING MET DE EUROPESE RICHTLIJNEN.
DICHIARAZIONE DI CONFORMITÀ ALLE DIRETTIVE EUROPEE.
DECLARACION DE CONFORMIDAD CON LAS DIRECTIVAS EUROPEAS.
ДЕКЛАРАЦИЯ СООТВЕТСТВИЯ ЕВРОПЕЙСКИМ ДИРЕКТИВАМ.
شهادة المطابقة مع التعليمات الأوروبية.



- EN** The undersigned declares that the machine complies with the European Directives 2006/42/CE. 2014/35/UE. 2014/30/UE.
- FR** Le soussigné déclare que cette machine est conforme aux directives européennes 2006/42/CE. 2014/35/UE. 2014/30/UE.
- DE** Unterzeichneter erklärt, daß diese Maschine den Europäischen Richtlinien 2006/42/CE. 2014/35/UE. 2014/30/UE entspricht.
- NL** Ik ondertekende verklaart dat deze machine in overeenstemming met de Europese richtlijnen 2006/42/CE. 2014/35/UE. 2014/30/UE.
- IT** Il sottoscritto dichiara questa macchina conforme alle ultime versioni delle seguenti direttive europee: 2006/42/CE. 2014/35/UE. 2014/30/UE.
- ES** El infrascrito declara que esta máquina es conforme con las directivas europeas 2006/42/CE. 2014/35/UE. 2014/30/UE.
- RU** Нижеподписавшееся лицо заявляет, что данное устройство соответствует европейским директивам 2006/42/CE. 2014/35/UE. 2014/30/UE.
- AR** المقدم أدناه يعلن أن هذه الآلة متطابقة مع التعليمات الأوروبية أرقام CE/2006/42 و UE/2014/35 و UE/2014/30.

Last update: 05/2018
Technical files compiled by:
Pierre-Yves Dorsimont
JAC S.A.
Chemin d'Éole, 2
B-4000 Sclessin
BELGIUM

Complies with the following (parts of)
European Harmonised Standards:
EN 1672-2
1935/2004
IEC 60204-1
EN ISO 12100-1
EN ISO 12100-2 §5, §6
EN 13954 if applicable
EN 61000-3-2, -3, -6-1, -6-3

Adrien Craeninx
Chief Executive Officer
JAC s.a.